



US00D987981S

(12) **United States Design Patent** (10) **Patent No.:** **US D987,981 S**
Lapp (45) **Date of Patent:** **** Jun. 6, 2023**

(54) **MEDICATION DISPENSER**
(71) Applicant: **Cassie C. Lapp**, Morganton, NC (US)
(72) Inventor: **Cassie C. Lapp**, Morganton, NC (US)
(**) Term: **15 Years**

9,434,528 B2 9/2016 Ashbaugh
9,465,919 B2 10/2016 Kamen et al.
10,343,806 B2 7/2019 Fagen et al.

FOREIGN PATENT DOCUMENTS

CN 305908053 * 7/2020

(21) Appl. No.: **29/745,015**

OTHER PUBLICATIONS

(22) Filed: **Aug. 3, 2020**
(51) **LOC (14) Cl.** **09-01**
(52) **U.S. Cl.**
USPC **D9/733**; D3/203.1; D7/589
(58) **Field of Classification Search**
USPC D3/201, 202, 203.1, 203.2, 203.3, 203.4,
D3/203.5, 203.6, 203.7, 203.8, 204–212,
D3/263, 267, 270, 272–276, 94, 295, 298,
D3/302, 901–905; D9/420, 421, 422,
D9/432, 756, 759, 760, 414, 431, 733;
D7/552.2, 589; D6/515, 524; D20/7
CPC B65D 83/04; B65D 25/04; A61J 1/03
See application file for complete search history.

Amazon.ca, Site visited Jan. 4, 2023, TrippNT Dispensing Bin, First available Aug. 16, 2013, <https://www.amazon.ca/TrippNT-50408-Dispensing-Compartment-5-25-Inch/dp/B004S7SQKW> (Year: 2013).*
Amazon.ca, Site visited Jan. 4, 2023, Behlen Country Economy Hog Feeder, First available Sep. 20, 2013, <https://www.amazon.ca/Behlen-Country-70120058-Economy-Feeder/dp/B00834JZJC> (Year: 2013).*

(Continued)

Primary Examiner — Brett Miller
Assistant Examiner — Jessica M Gebhart
(74) *Attorney, Agent, or Firm* — Cramer Patent & Design, PLLC; Aaron R. Cramer

(56) **References Cited**

U.S. PATENT DOCUMENTS

1,843,233 A * 2/1932 Kaiser B65D 83/02
221/202
D263,354 S * 3/1982 Jones D6/524
D264,593 S * 5/1982 Lyons D20/7
4,638,923 A 1/1987 Mines, Jr. et al.
D310,938 S * 10/1990 Vigil D7/589
D323,988 S * 2/1992 Ruck D9/414
5,823,393 A * 10/1998 Hafstrom B65D 5/72
206/769
5,826,747 A 10/1998 Bohler
5,897,025 A 4/1999 Flewitt et al.
D414,078 S * 9/1999 Elmore D7/589
6,131,765 A 10/2000 Barry et al.
6,267,265 B1 7/2001 Issa
D537,734 S * 3/2007 Wolpow D9/733
8,469,194 B2 6/2013 Johnspn et al.

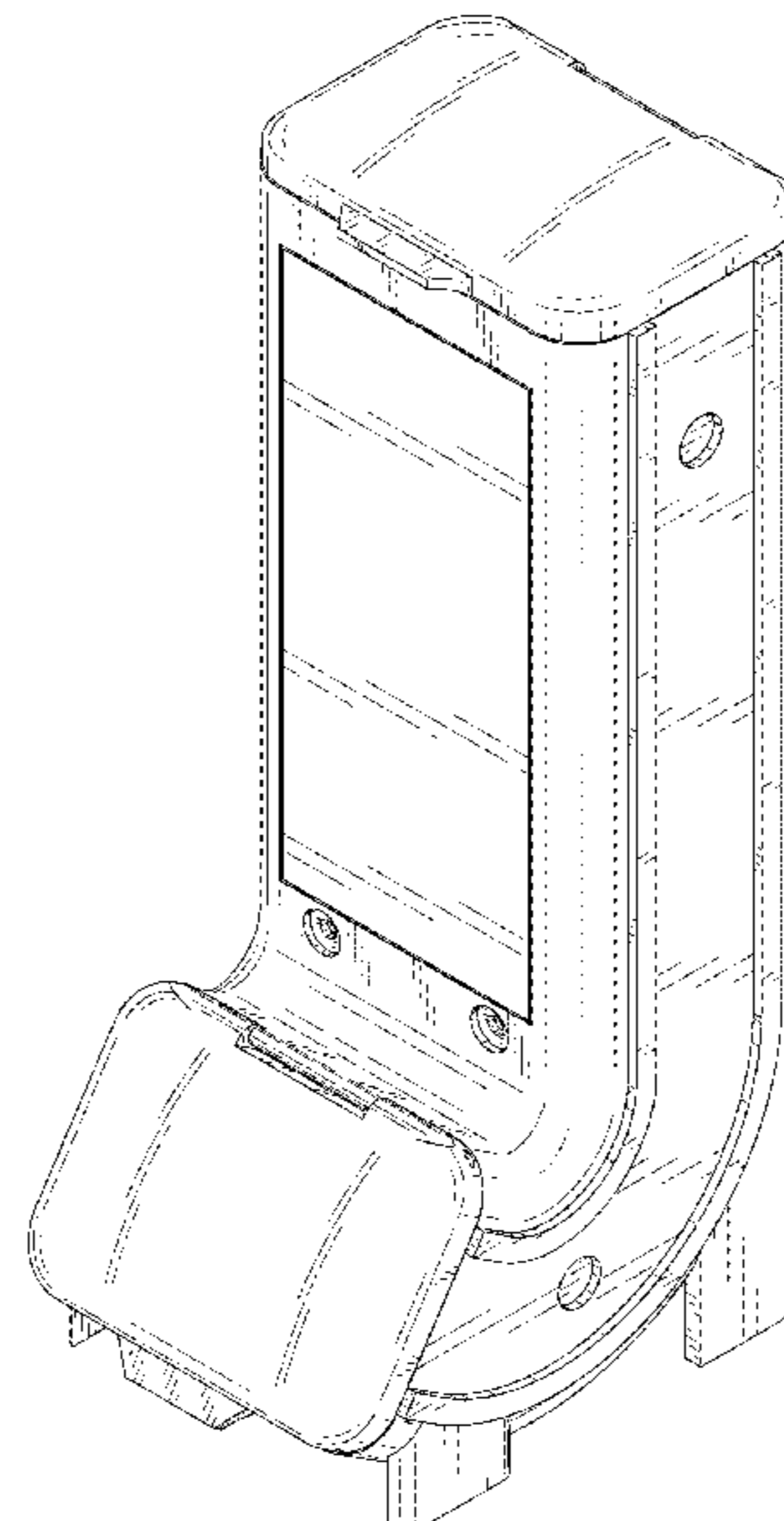
(57) **CLAIM**

The ornamental design for a medication dispenser, as shown and described.

DESCRIPTION

FIG. 1 is a perspective top front right view of a medication dispenser, showing my new design;
FIG. 2 is a perspective top rear left view thereof;
FIG. 3 is a front elevation view thereof;
FIG. 4 is a rear elevation view thereof;
FIG. 5 is a left elevation view thereof;
FIG. 6 is a right elevation view thereof;
FIG. 7 is a top plan view thereof; and,
FIG. 8 is a bottom plan view thereof.

1 Claim, 8 Drawing Sheets



(56)

References Cited

OTHER PUBLICATIONS

Herohealth.com, site visited Jan. 4, 2023, HERO medicine dispenser, wayback machine dated Jul. 10, 2017, <https://web.archive.org/web/20170710034624/https://herohealth.com/> (Year: 2017).*

* cited by examiner

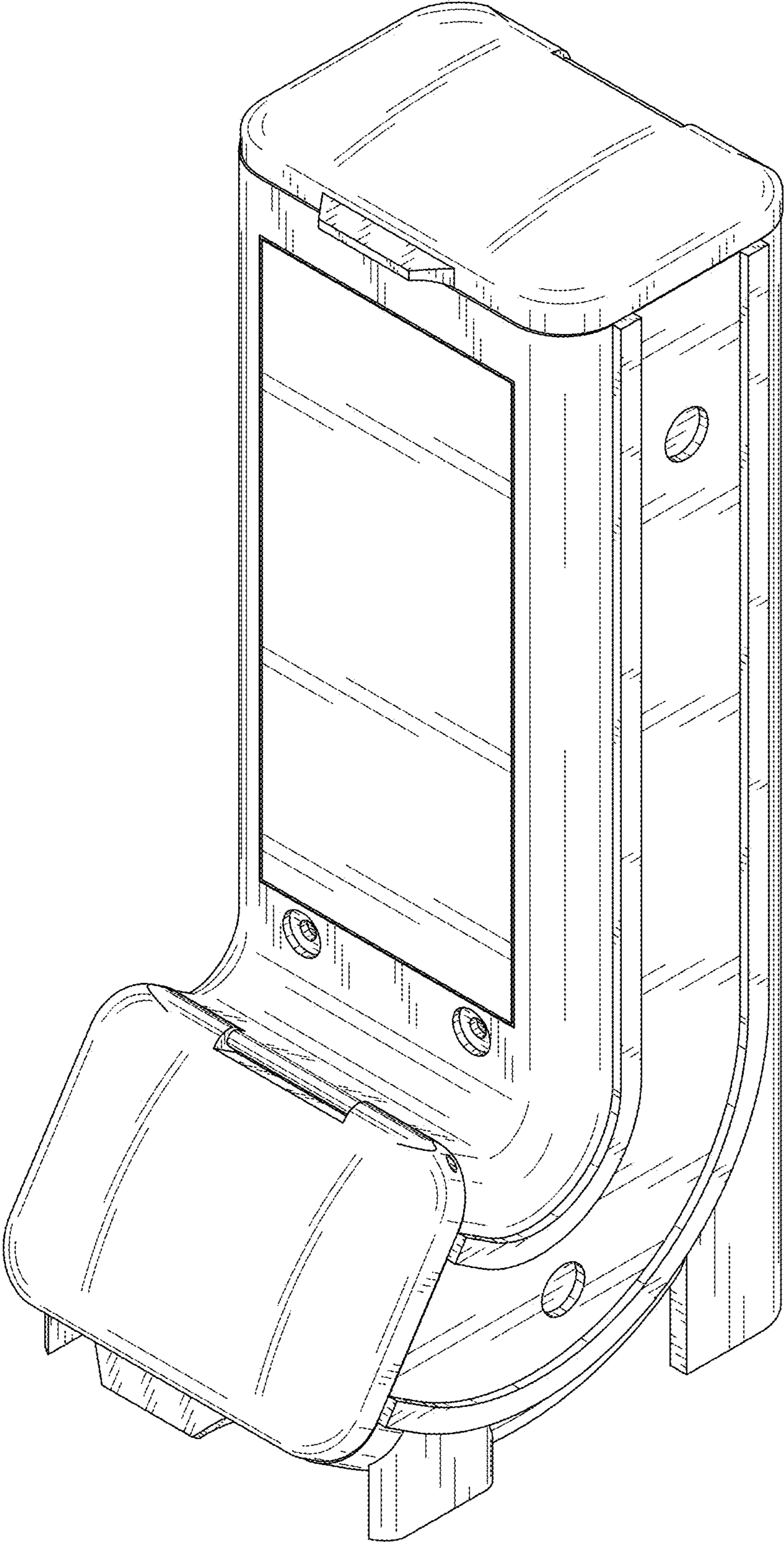


FIG. 1

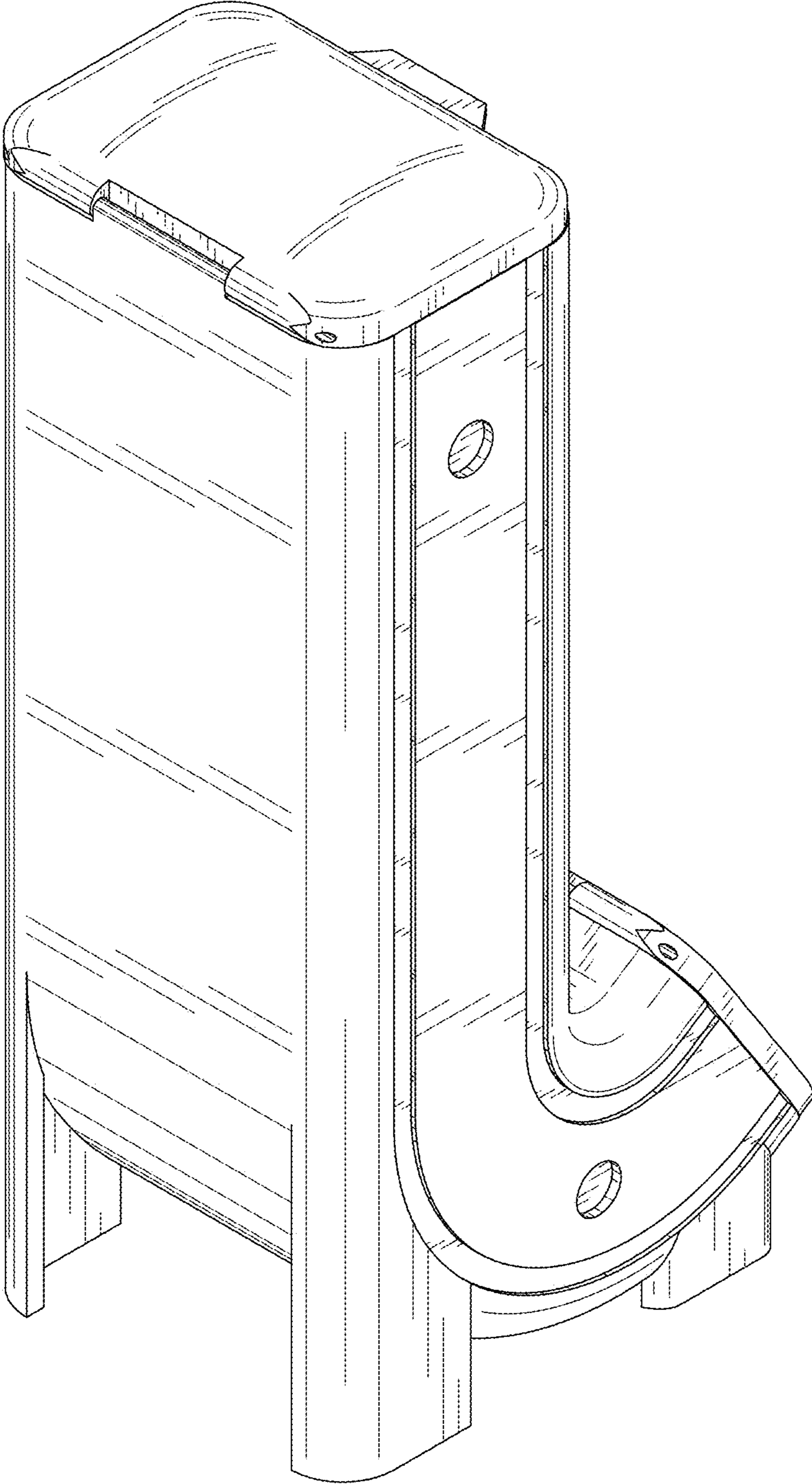


FIG. 2

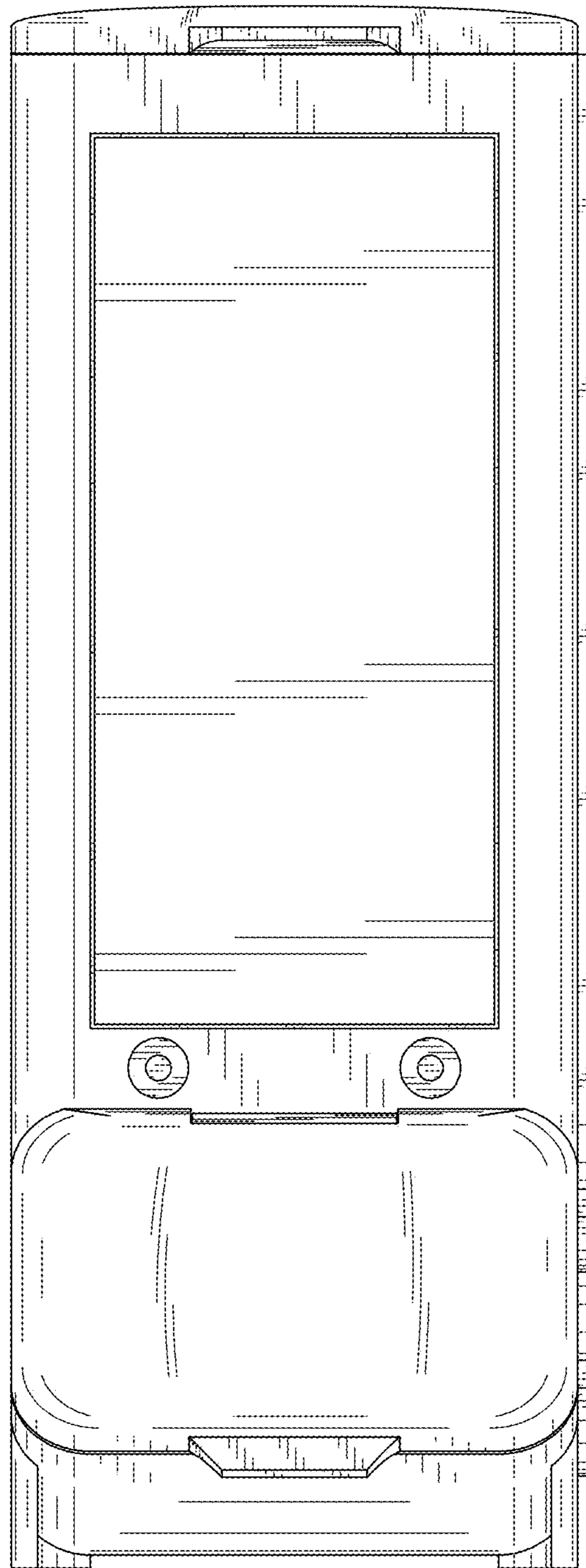


FIG. 3

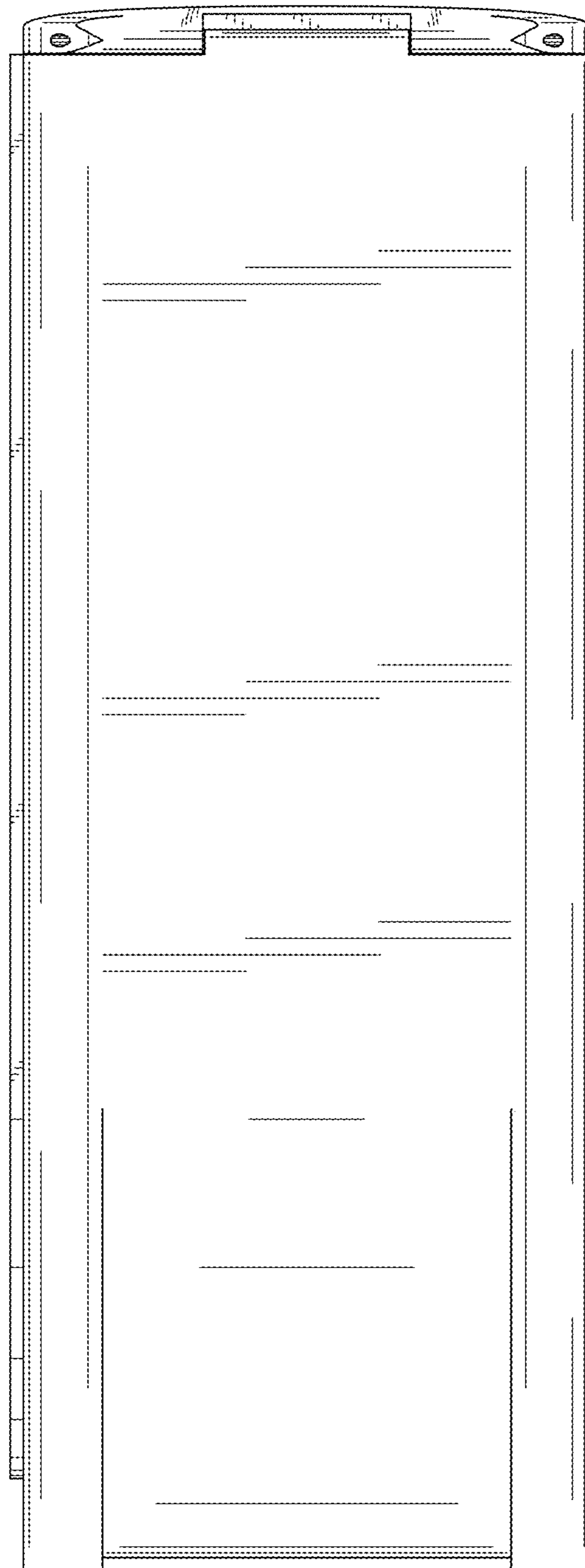


FIG. 4

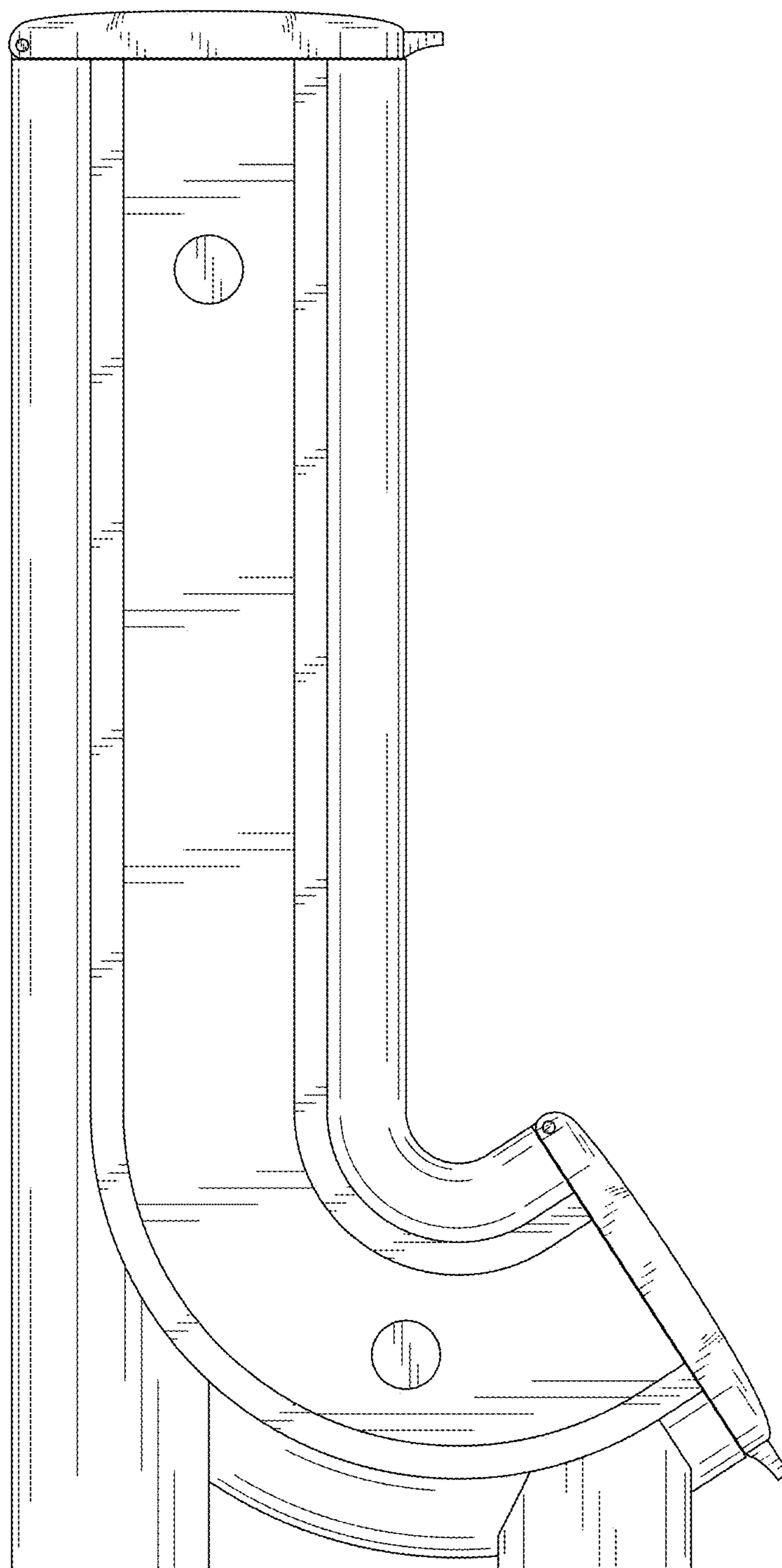


FIG. 5

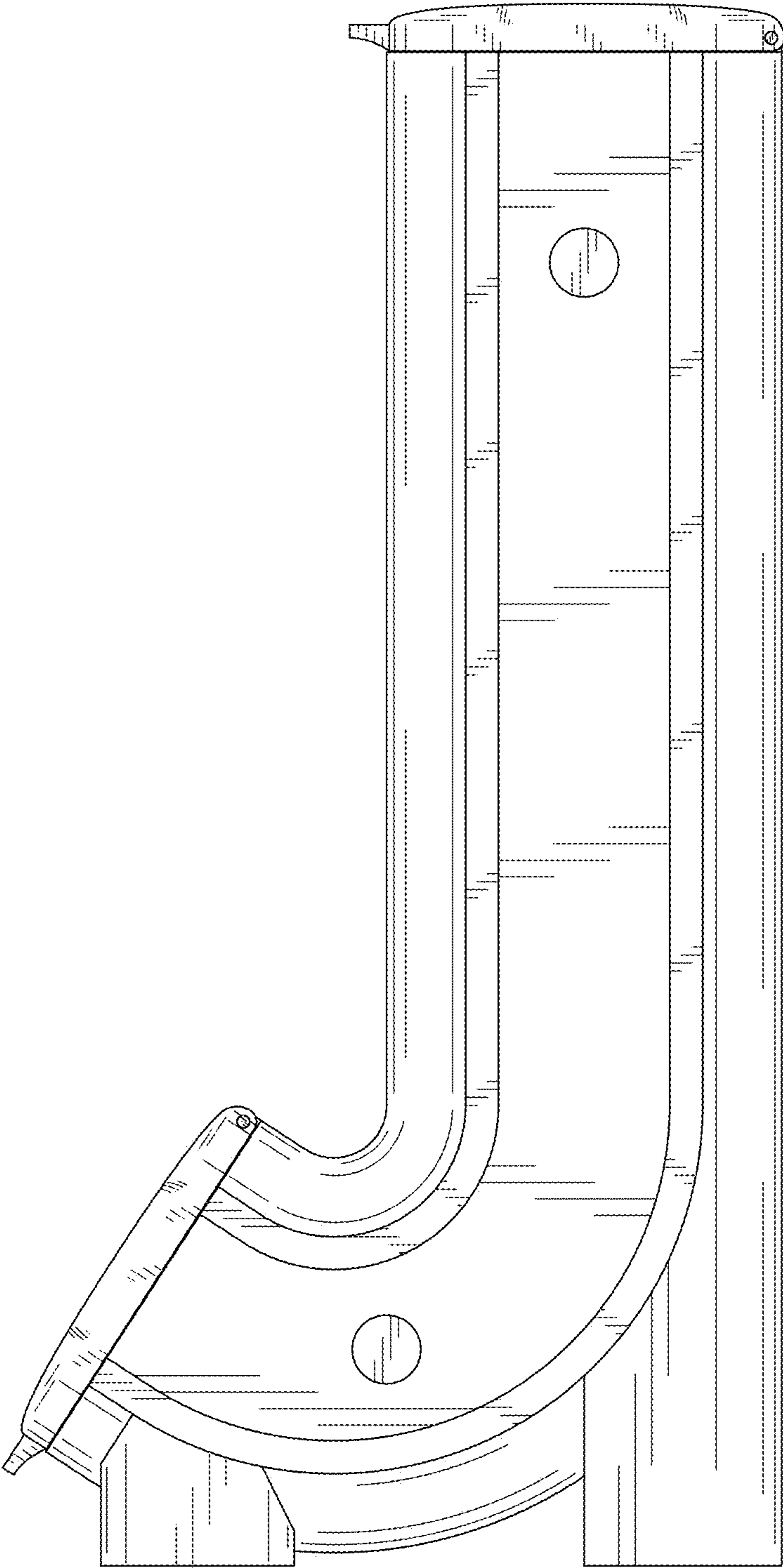


FIG. 6

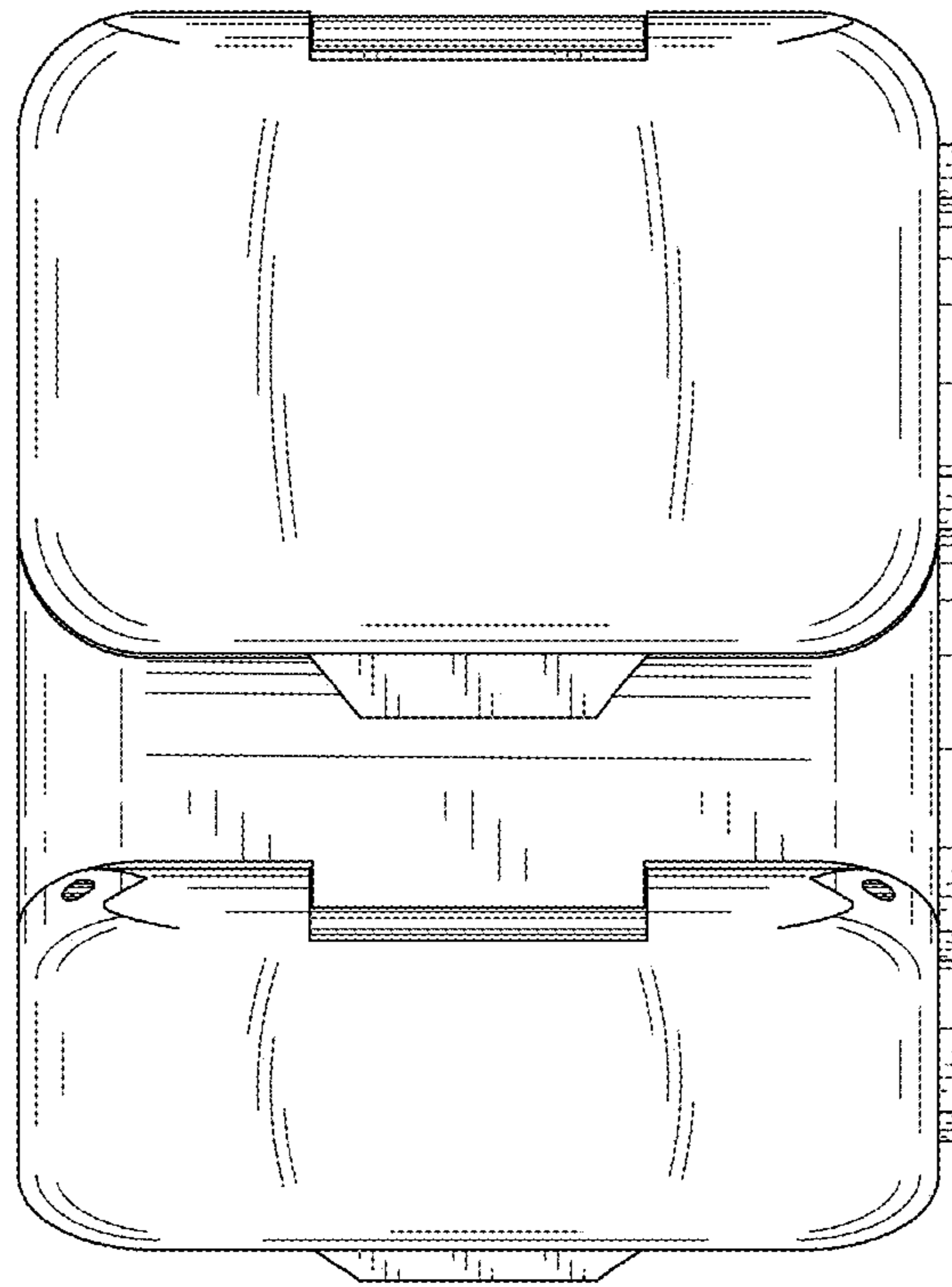


FIG. 7

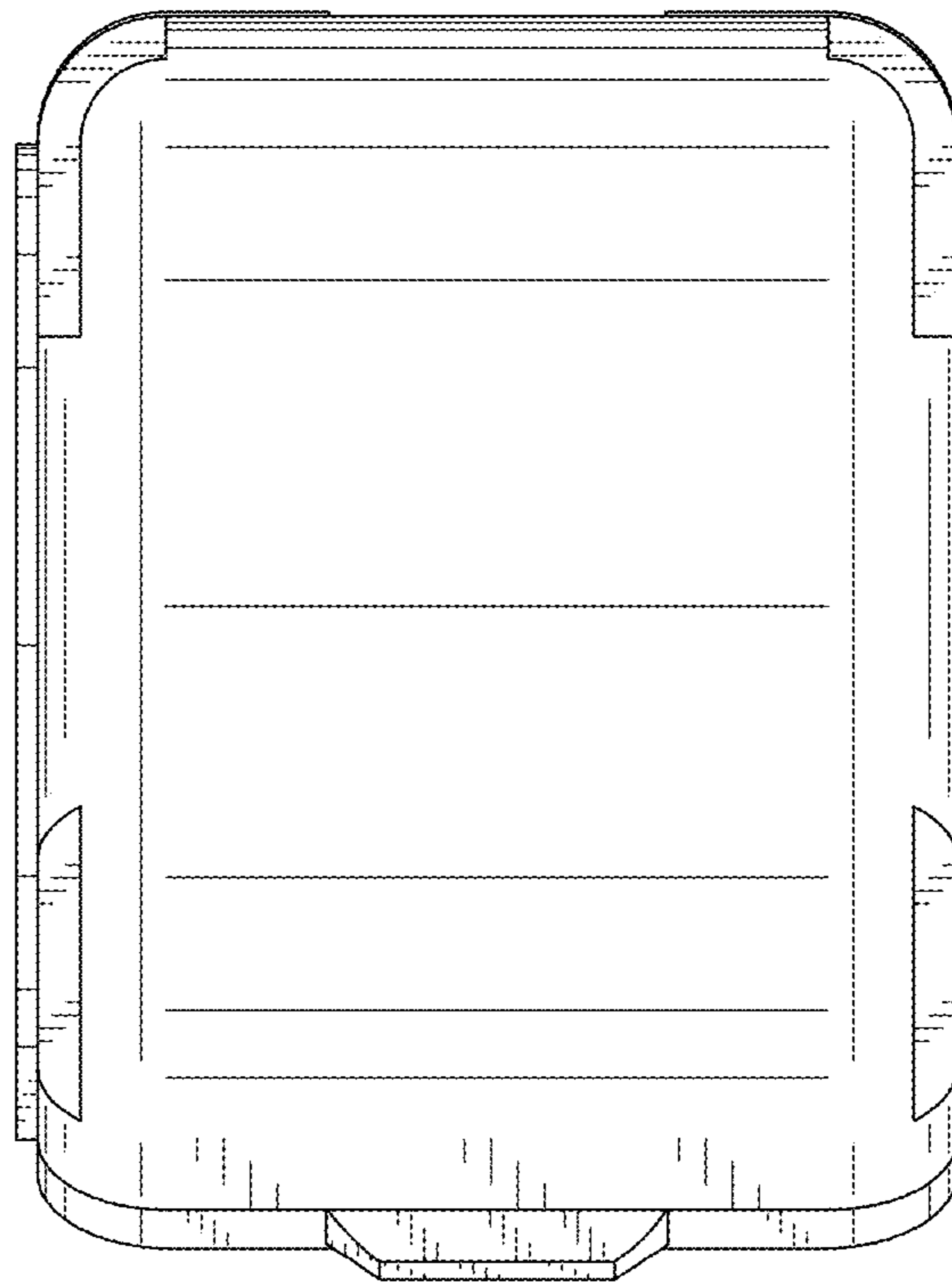


FIG. 8