



US00D987970S

(12) **United States Design Patent**
Gonzalez

(10) **Patent No.:** **US D987,970 S**

(45) **Date of Patent:** **** Jun. 6, 2023**

(54) **SHOE**

(71) Applicant: **Converse Inc.**, Boston, MA (US)

(72) Inventor: **Cristian Gonzalez**, Boston, MA (US)

(73) Assignee: **Converse Inc.**, Boston, MA (US)

(**) Term: **15 Years**

(21) Appl. No.: **29/776,029**

(22) Filed: **Mar. 26, 2021**

(51) **LOC (14) Cl.** **02-04**

(52) **U.S. Cl.**
USPC **D2/975**

(58) **Field of Classification Search**
USPC D2/896, 900, 902, 904, 906–908,
D2/916–924, 925–945, 969–979
CPC A43B 1/00; A43B 1/02; A43B 1/04; A43B
3/00; A43B 3/02; A43B 3/06; A43B 3/10;
A43B 3/12; A43B 3/14; A43B 5/00;
A43B 5/001; A43B 5/002; A43B 5/008;
A43B 5/06; A43B 5/10; A43B 5/12;
A43B 23/00; A43B 23/02; A43B 23/04
See application file for complete search history.

(56) **References Cited**

U.S. PATENT DOCUMENTS

D380,888 S *	7/1997	McDonald	D2/907
D410,691 S *	6/1999	Boyer	D2/947
D420,783 S *	2/2000	Brady	D2/962
D435,162 S *	12/2000	Wilson	D2/969
D444,622 S *	7/2001	Wilson	D2/907
D444,624 S *	7/2001	Wilson	D2/907
D448,550 S *	10/2001	Yang	D2/907
D466,683 S *	12/2002	Chen	D2/974
D473,704 S *	4/2003	Wilson	D2/972
D479,388 S *	9/2003	Matis	D2/969
D511,609 S *	11/2005	Magro	D2/952
D513,361 S *	1/2006	Teriatnikov	D2/969

D514,792 S *	2/2006	Ardissono	D2/969
D546,046 S *	7/2007	Schoenborn	D2/969
D646,470 S *	10/2011	Jacobs	D2/902
D702,023 S *	4/2014	Jacobs	D2/902
D737,041 S *	8/2015	Raasch	D2/972
D738,085 S *	9/2015	Kirschner	D2/969
D746,570 S *	1/2016	Raasch	D2/969
D747,090 S *	1/2016	Raasch	D2/972
D757,413 S *	5/2016	Bacon	D2/969
D775,807 S	1/2017	Rauner		
D808,144 S *	1/2018	Kovel	D2/969
D819,950 S	6/2018	Devito		
D821,733 S	7/2018	Avar et al.		
D826,537 S *	8/2018	Petrie	D2/972
D829,427 S	10/2018	Rauner		

(Continued)

OTHER PUBLICATIONS

“Ibn Jasper & Converse Join Forces for Contemporary Take on Pro Leather Silhouette”; Hypebeast; retrieved Mar. 17, 2021; published Sep. 4, 2019; URL: <<https://hypebeast.com/2019/9/ibn-jasper-converse-pro-leather-sneaker-collaboration-release-info>>.

(Continued)

Primary Examiner — Jonathan J Han
(74) *Attorney, Agent, or Firm* — Banner & Witcoff, Ltd.

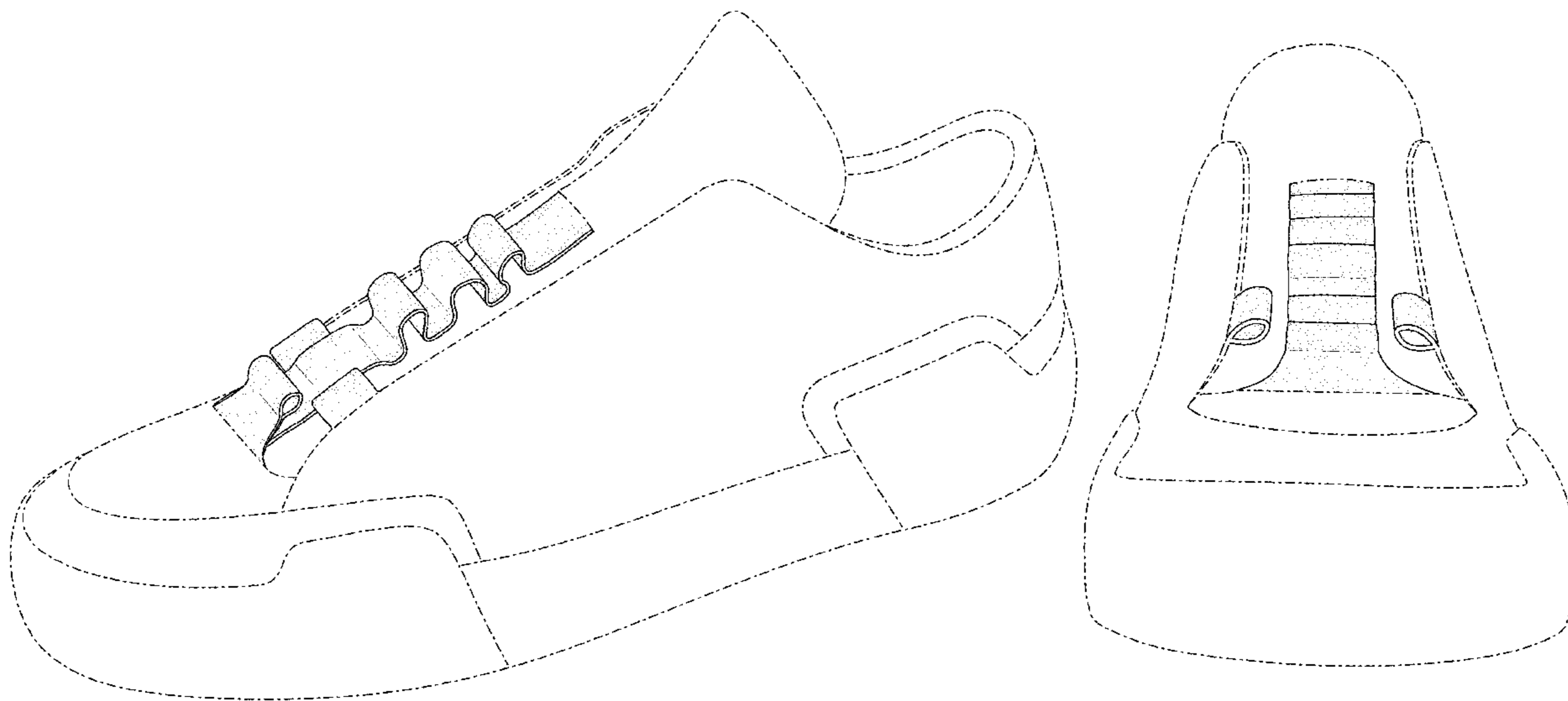
(57) **CLAIM**

The ornamental design for a shoe, as shown and described.

DESCRIPTION

FIG. 1 is a front perspective view of a shoe showing my new design;
FIG. 2 is a front view thereof; and,
FIG. 3 is an opposite side front perspective view thereof.
The broken lines immediately adjacent to the shaded area define the bounds of the claimed design and form no part thereof. The broken lines depicting the remainder of the shoe form no part of the claimed design.

1 Claim, 3 Drawing Sheets



(56)

References Cited

U.S. PATENT DOCUMENTS

D858,078 S	*	9/2019	Avar	D2/972
D880,838 S		4/2020	Rauner	
D893,138 S	*	8/2020	Zeng	D2/951
D913,647 S	*	3/2021	Garcia	D2/902
D922,758 S	*	6/2021	Blauer	D2/978
D943,908 S	*	2/2022	Ammon	D2/969
D953,722 S	*	6/2022	Bell	D2/969
D958,499 S	*	7/2022	Ammon	D2/960

OTHER PUBLICATIONS

“IBN Jasper Pays Homage to Dr. J With Luxe Converse Pro Leather”; Highsnobiety; retrieved Mar. 17, 2021; published date unknown, but prior to application filing date; URL: <<https://www.highsnobiety.com/p/ibn-jasper-converse-pro-leather-release-date-price/>>.

* cited by examiner

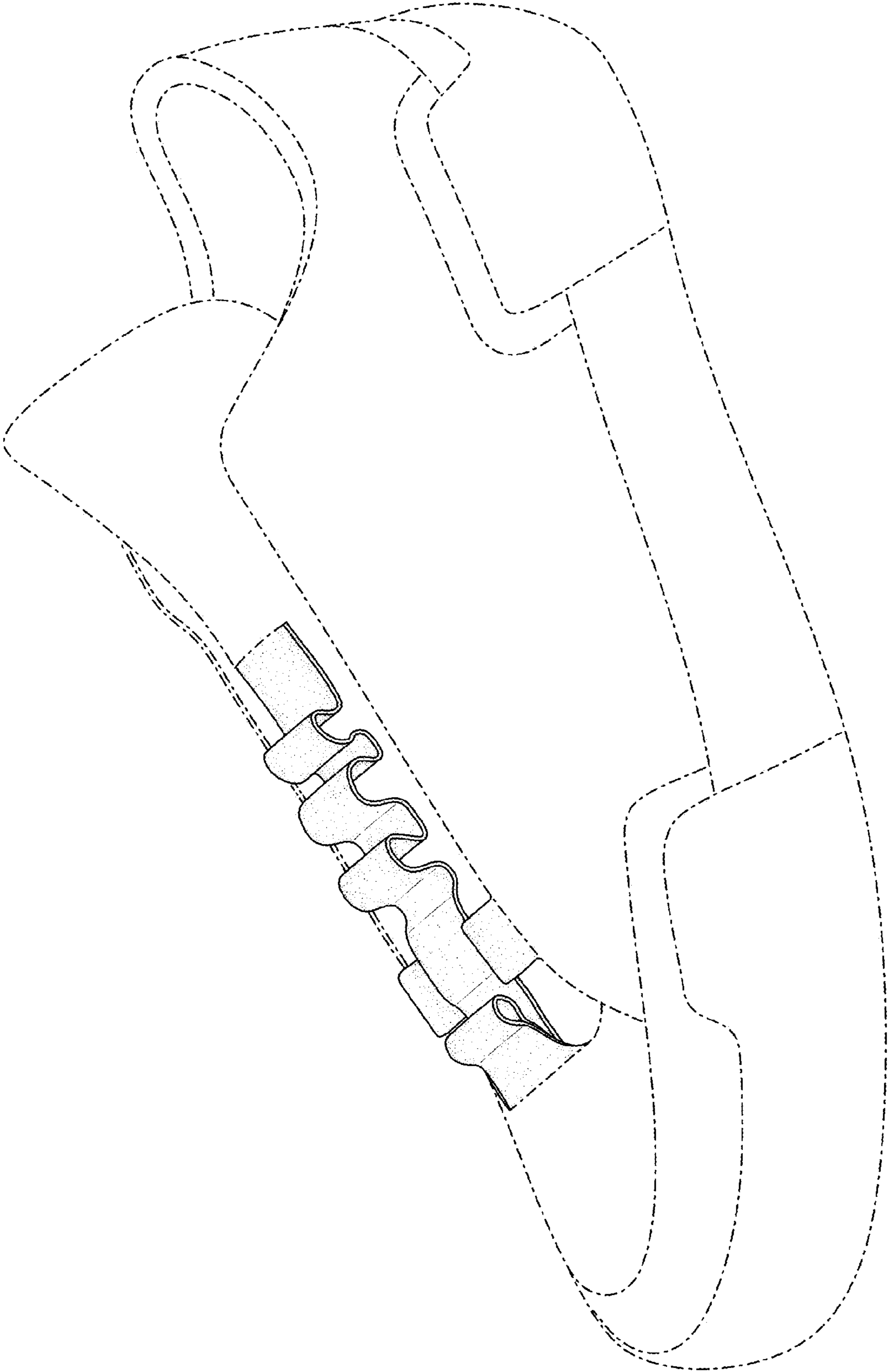


FIG. 1

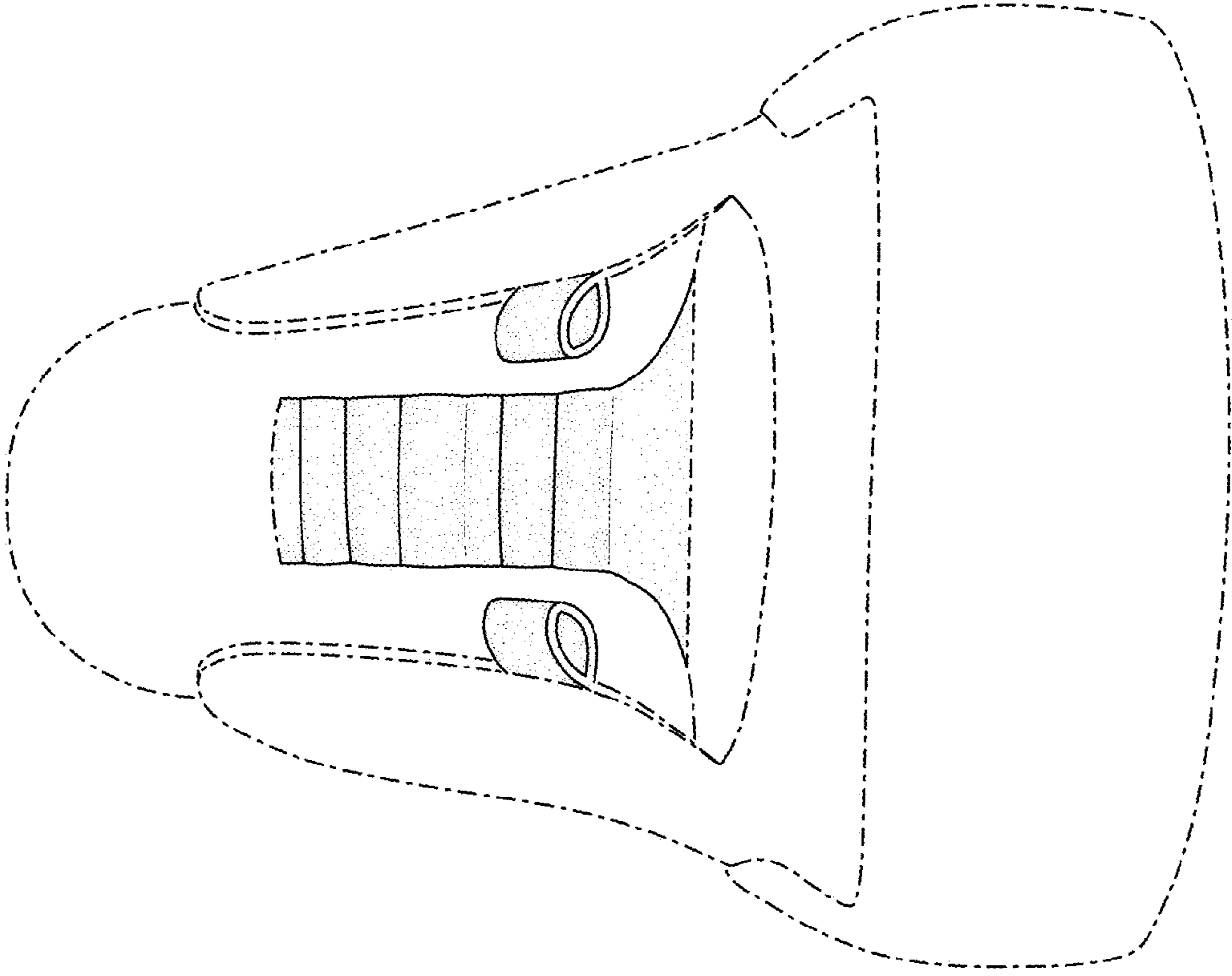


FIG. 2

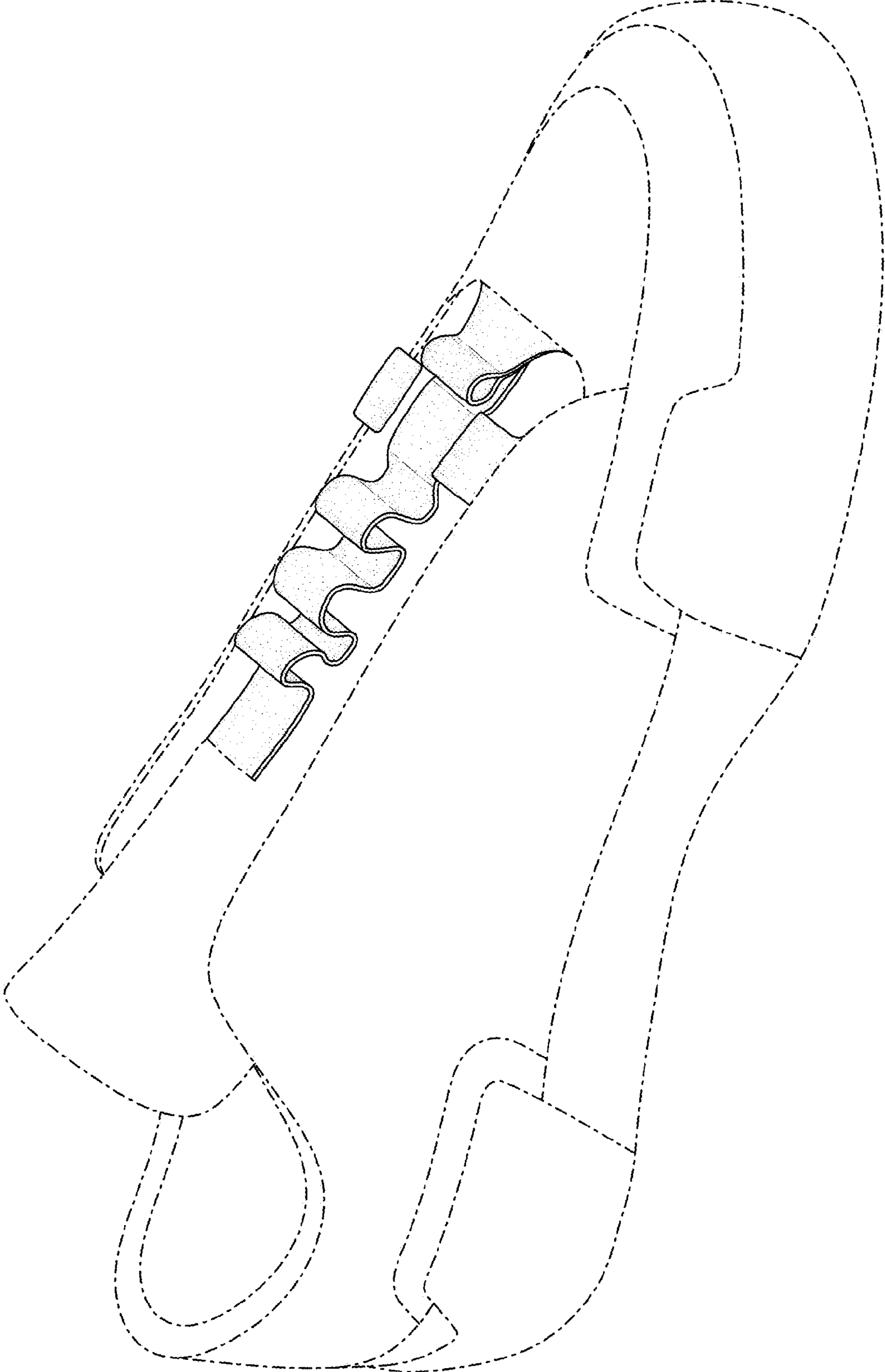


FIG. 3