



US00D987953S

(12) **United States Design Patent**
Kroshinskaya

(10) **Patent No.:** **US D987,953 S**
(45) **Date of Patent:** **** Jun. 6, 2023**

(54) **FOOTWEAR**

(71) Applicant: **Target Brands, Inc.**, Minneapolis, MN (US)

(72) Inventor: **Masha Kroshinskaya**, Minneapolis, MN (US)

(73) Assignee: **Target Brands, Inc.**, Minneapolis, MN (US)

(**) Term: **15 Years**

(21) Appl. No.: **29/832,666**

(22) Filed: **Mar. 29, 2022**

Related U.S. Application Data

(62) Division of application No. 29/747,828, filed on Aug. 25, 2020, now Pat. No. Des. 950,904.

(51) **LOC (14) Cl.** **02-04**

(52) **U.S. Cl.**
USPC **D2/947; D2/960**

(58) **Field of Classification Search**
USPC D2/902, 906, 908, 916, 918, 925, D2/946-962, 977

CPC A43B 13/00; A43B 13/02; A43B 13/023; A43B 13/026; A43B 13/04; A43B 13/08; A43B 13/10; A43B 13/12; A43B 13/14; A43B 13/141; A43B 13/143; A43B 13/16; A43B 13/18; A43B 13/181; A43B 13/187; A43B 13/189; A43B 13/20; A43B 13/22; A43B 13/223; A43B 13/24; A43B 13/28;

(Continued)

(56) **References Cited**

U.S. PATENT DOCUMENTS

D250,943 S 1/1979 Bergamaschi
4,200,997 A 5/1980 Scheinhaus et al.

(Continued)

FOREIGN PATENT DOCUMENTS

CA 2514808 C 2/2007
CN 205492741 8/2016

(Continued)

OTHER PUBLICATIONS

Brielle Platform Sandal, VionicShoes.com, [online], [site visited Sep. 23, 2021]. <URL: <https://www.vionicshoes.com/brielle-platform-sandal.html?76=1029>> (Year: 2021).

(Continued)

Primary Examiner — Jonathan J Han

(74) *Attorney, Agent, or Firm* — Merchant & Gould P.C.

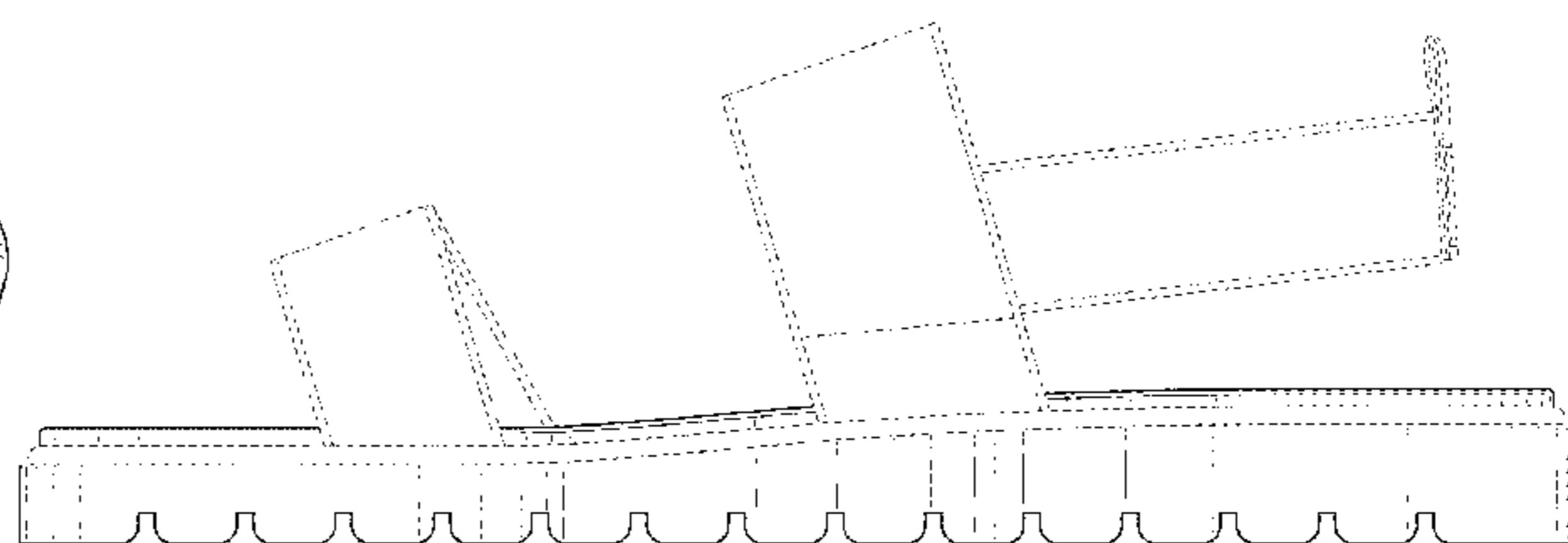
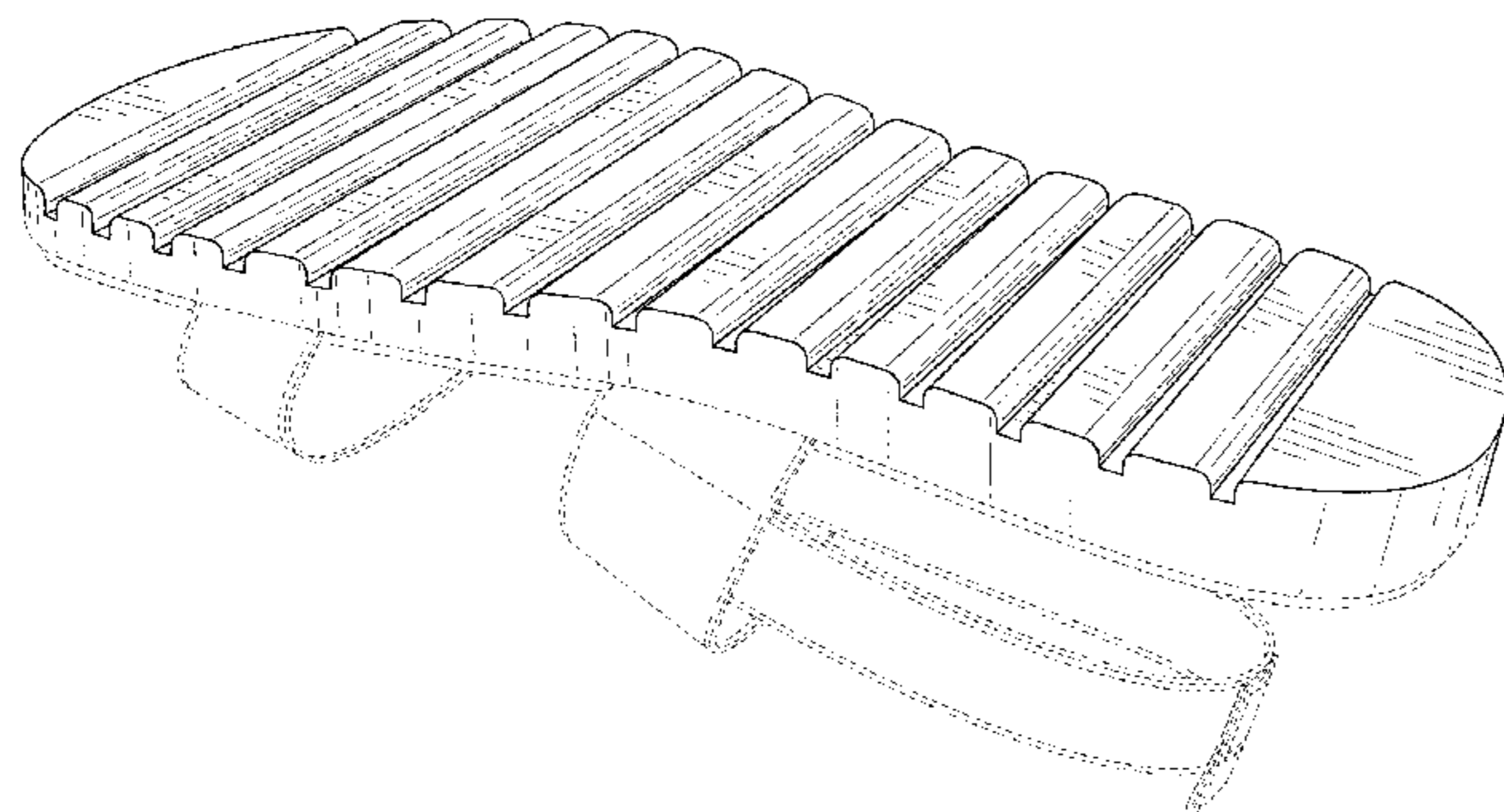
(57) **CLAIM**

The ornamental design for a footwear, as shown and described.

DESCRIPTION

FIG. 1 is front, top and right side perspective view of a footwear according to the new design;
FIG. 2 is a back, bottom and right side perspective view of the embodiment of FIG. 1;
FIG. 3 is a front elevation view of the embodiment of FIG. 1;
FIG. 4 is a back elevation view of the embodiment of FIG. 1;
FIG. 5 is a right side elevation view of the embodiment of FIG. 1;
FIG. 6 is a left side elevation view of the embodiment of FIG. 1;
FIG. 7 is a top plan view of the embodiment of FIG. 1; and, FIG. 8 is a bottom plan view of the embodiment of FIG. 1. The broken lines in the drawings show portions that form no part of the claimed design.

1 Claim, 7 Drawing Sheets



(58) **Field of Classification Search**
 CPC A43B 13/30; A43B 13/32; A43B 13/34;
 A43B 13/36
 See application file for complete search history.

(56) **References Cited**

U.S. PATENT DOCUMENTS

4,275,512	A	6/1981	Zeligman et al.	
4,300,294	A	11/1981	Riecken	
4,446,633	A	5/1984	Scheinhaus et al.	
D294,537	S	3/1988	Le	
4,793,075	A	12/1988	Thatcher	
4,817,302	A	4/1989	Saltsman	
4,869,000	A	9/1989	York, Jr.	
4,967,750	A	11/1990	Cherniak	
5,056,241	A	10/1991	Young	
5,205,054	A	4/1993	York, Jr.	
5,423,134	A	6/1995	Bagnaia et al.	
5,465,506	A	11/1995	Matis et al.	
5,533,278	A	7/1996	Stein	
5,561,919	A	10/1996	Gill	
RE35,452	E	2/1997	Sargeant	
5,687,492	A	11/1997	Muraoka	
5,836,090	A	11/1998	Smith	
D409,361	S	5/1999	Greenberg	
5,901,394	A	5/1999	Greenawalt	
6,021,585	A	2/2000	Cole	
6,052,920	A	4/2000	Bathum	
D429,553	S	8/2000	Kelchak	
6,237,250	B1	5/2001	Aguerre	
D449,430	S	10/2001	McClaskie	
D473,041	S	4/2003	Finkelberg	
6,543,157	B2	4/2003	Pan	
6,606,803	B1	8/2003	Ritter et al.	
6,637,130	B2	10/2003	Urie et al.	
6,694,641	B1	2/2004	Gill	
D490,225	S	5/2004	McClaskie	
6,772,541	B1	8/2004	Ritter et al.	
D503,028	S *	3/2005	Merceron D2/947	
D505,537	S	5/2005	Friedman	
7,103,993	B2	9/2006	Sakai	
D566,499	S	4/2008	Welch	
D573,780	S	7/2008	Davis et al.	
7,794,417	B1	9/2010	Zimmerman	
7,823,299	B1	11/2010	Brigham	
D677,456	S *	3/2013	Knight D2/961	
8,460,593	B2	6/2013	Fogg et al.	
D701,380	S	3/2014	Reed et al.	
8,839,529	B1	9/2014	Levy	
D730,035	S	5/2015	Henderson	
D756,096	S *	5/2016	Bizzo D2/951	
9,468,252	B2	10/2016	Dematteo	
D816,308	S *	5/2018	Boys D2/908	
9,955,755	B2	5/2018	Heid	
D822,966	S	7/2018	Thompson et al.	
D827,257	S	9/2018	Ringholz et al.	
D840,653	S	2/2019	Carmi et al.	
10,278,454	B2	5/2019	Kohatsu et al.	
D862,061	S	10/2019	Wilkinson	
D876,782	S *	3/2020	Fontaine D2/947	

D889,092	S	7/2020	Verfl et al.	
D889,093	S	7/2020	Verfl et al.	
D903,264	S *	12/2020	Beaver D2/947	
D903,266	S *	12/2020	Fontaine D2/947	
D920,646	S	6/2021	Simone et al.	
D924,548	S	7/2021	Xin	
D925,879	S	7/2021	Mokos et al.	
D929,098	S	8/2021	Jacobsen	
D932,747	S *	10/2021	Mokos D2/960	
D943,913	S *	2/2022	Kroshinskaya D2/969	
D950,904	S *	5/2022	Kroshinskaya D2/947	
D950,913	S *	5/2022	Kroshinskaya D2/960	
D955,091	S *	6/2022	Kroshinskaya D2/903	
D957,105	S *	7/2022	Kroshinskaya D2/947	
D966,677	S *	10/2022	Kroshinskaya D2/947	
2005/0217140	A1 *	10/2005	Melis A43B 7/082 36/3 R	
2006/0059712	A1	5/2006	Asham	
2006/0288610	A1	12/2006	Laska et al.	
2009/0313854	A1	12/2009	Clarke	
2010/0242305	A1	9/2010	Liu	
2012/0124860	A1	5/2012	Waddel	
2015/0101215	A1 *	4/2015	Henderson A43B 13/187 36/103	
2016/0227878	A1 *	8/2016	Lan A43B 13/223	
2017/0143071	A1	5/2017	Huang et al.	
2017/0360142	A1	12/2017	Griffin	
2019/0350304	A1	11/2019	Velazquez et al.	
2020/0170339	A1 *	6/2020	Verfl A43B 13/223	

FOREIGN PATENT DOCUMENTS

CN	109645617	A	4/2019
CN	209403674	U	9/2019
FR	3057741	B3	4/2018
GB	2046077		11/1980
GB	2377615	B	1/2003
GB	2550880	A	12/2017
JP	3217949		9/2018
KR	100719159	B1	5/2007
KR	20100038481	A	4/2010
KR	20160147227		12/2016
WO	WO 2012/031801		3/2012

OTHER PUBLICATIONS

Glyn Linen Sandal, Vince.com, [online], [site visited Sep. 23, 2021]. <URL: https://www.vince.com/glyn-linen-sandal-H5995F1.html?dwvar_H5995F1_color=NATURL&utm_medium=Linkshare&utm_source=Vogue&utm_campaign=1&utm_content=10&ran_MID=39798&ran_EAi_D=0c5b5rpoqTU&ranSitelD=0c5b5rpoqTU-oUww5xEwUlw4_v8_Zlosw> (Year: 2021).
 Skechers Arch Fit—Casual Retro, Skechers.com, [online], [site visited Sep. 23, 2021]. <URL: <https://www.skechers.com/women/shoes/skechers-arch-fit---casual-retro/119237.html>> (Year: 2021).
 EVA Sole for slipper or boot, UGG, MorEVAfoam.com, [online], [site visited Sep. 23, 2021]. <URL: <https://www.morevafoam.com/Products/eva-sole-for-slipper-or-boot-ugg>> (Year: 2021).

* cited by examiner

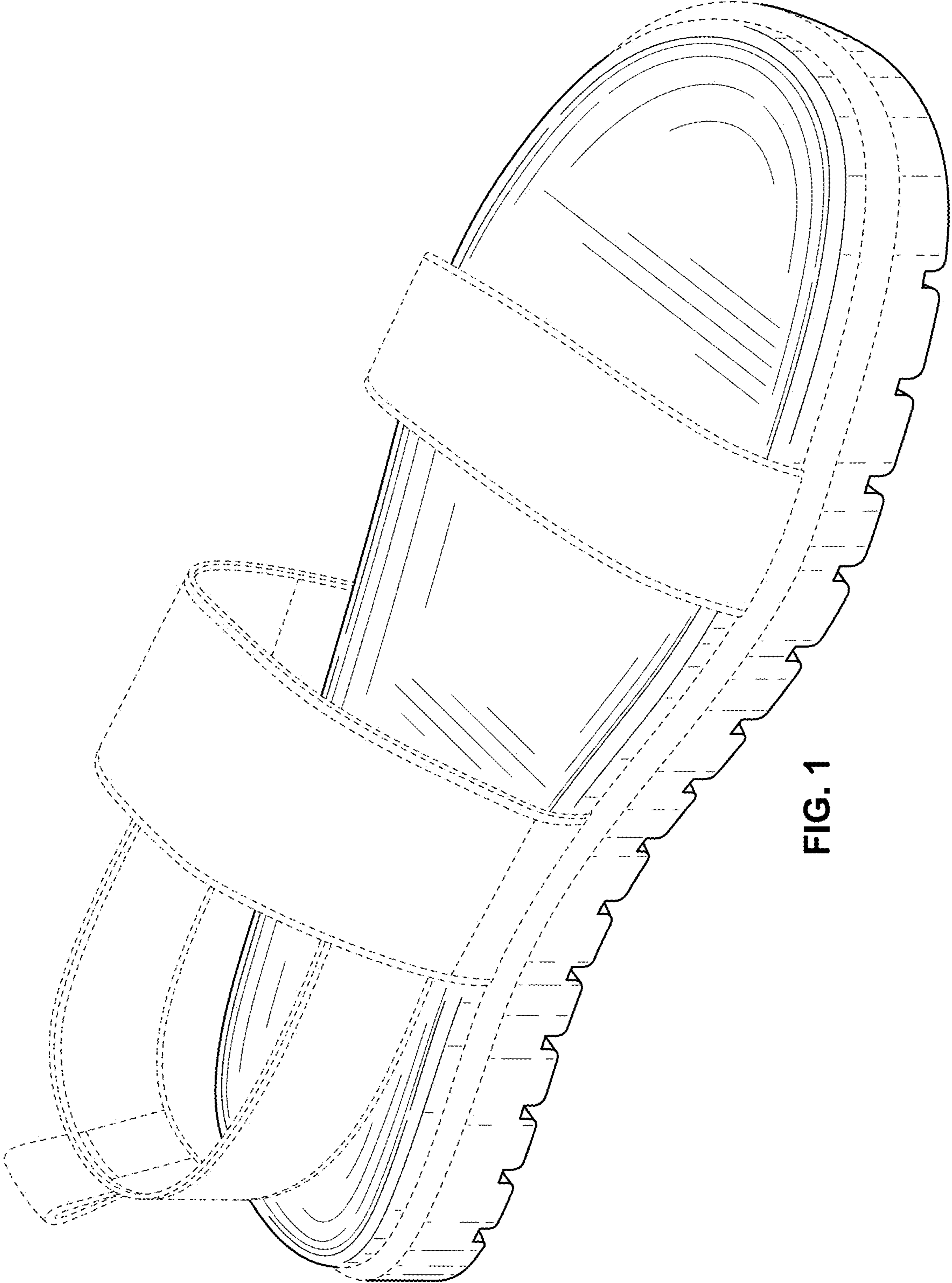


FIG. 1

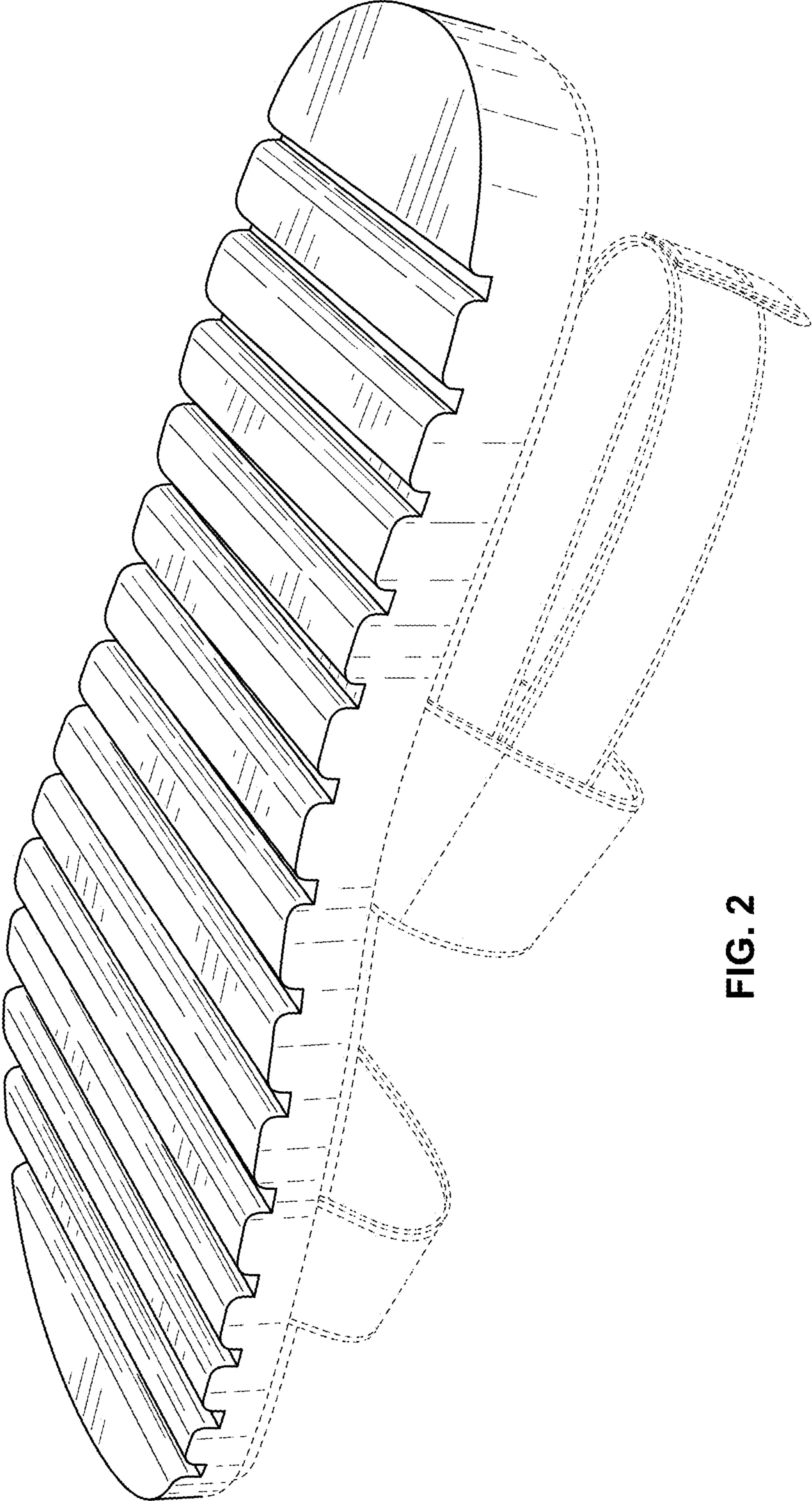


FIG. 2

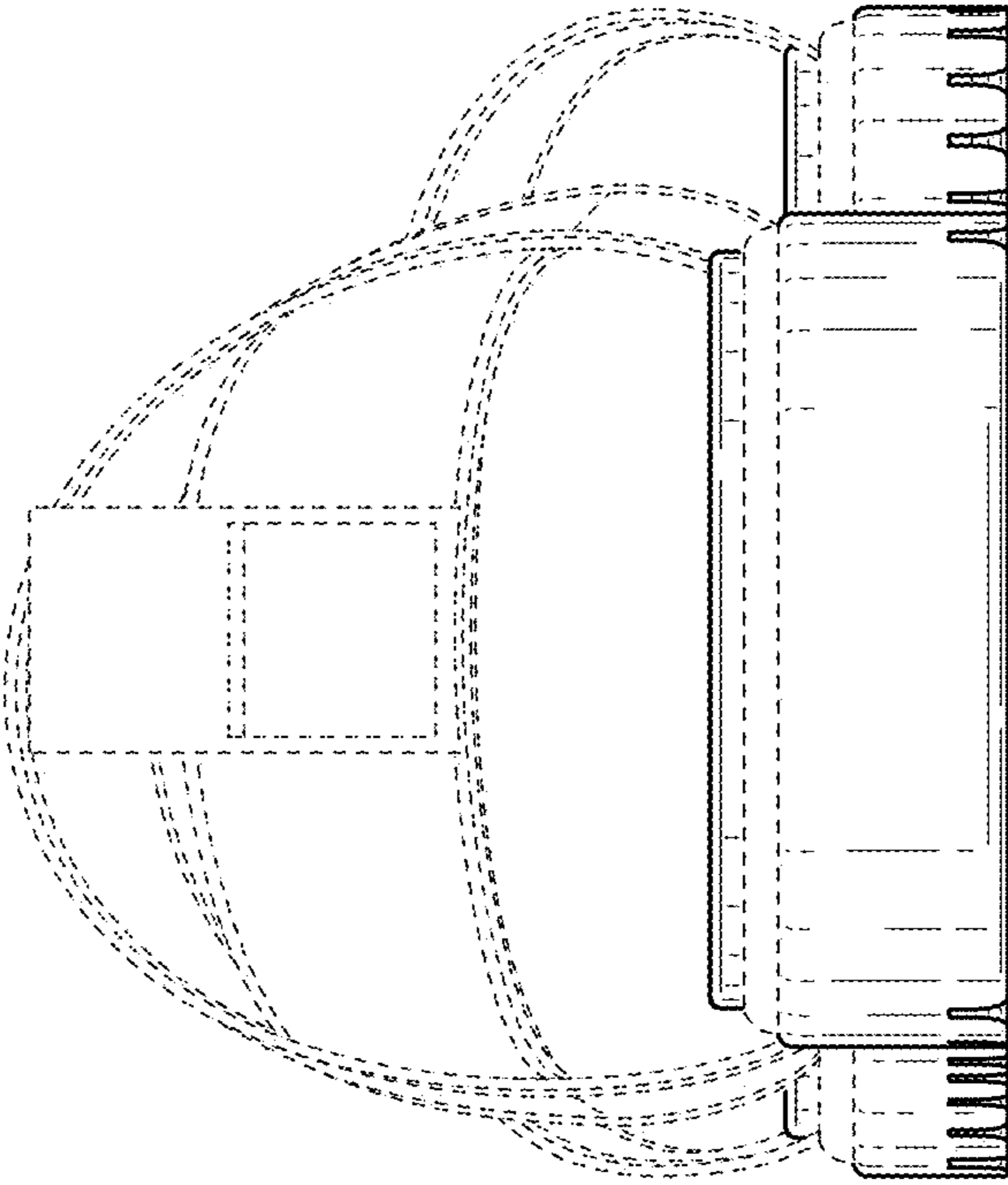


FIG. 4

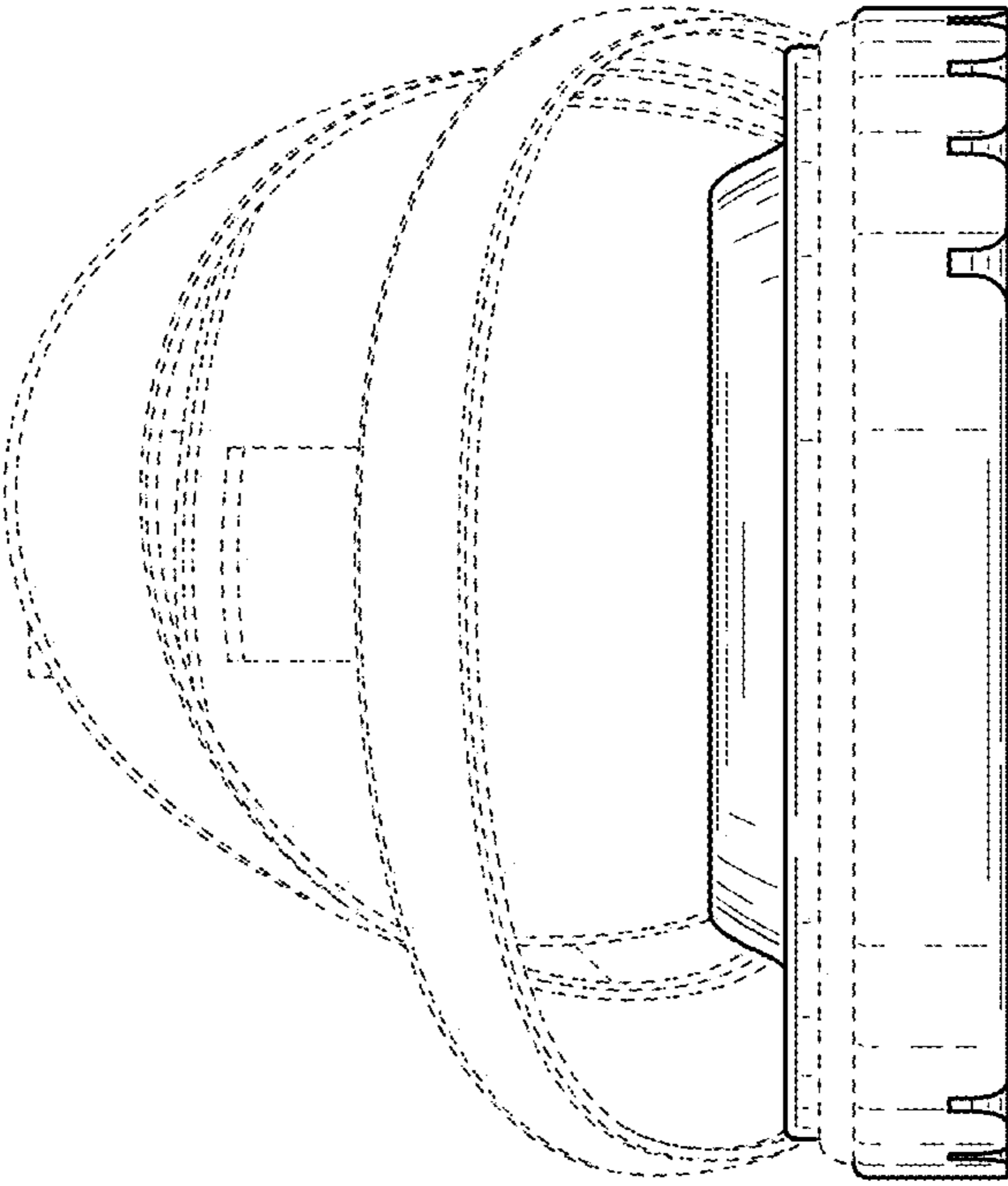


FIG. 3

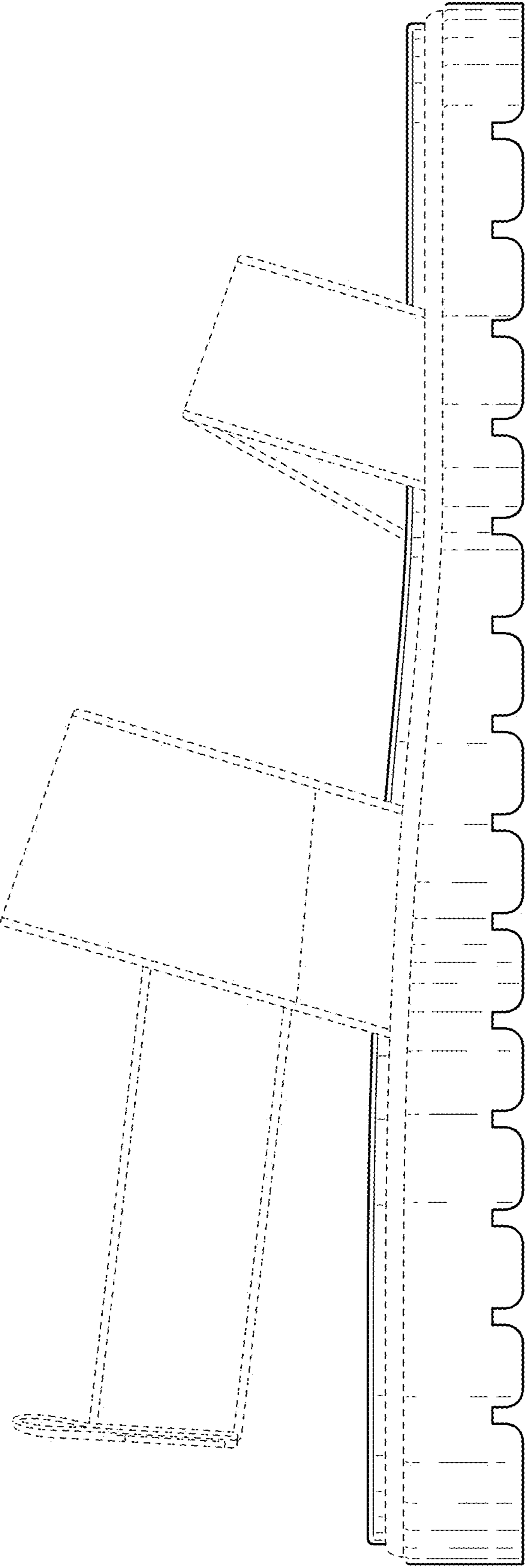


FIG. 5

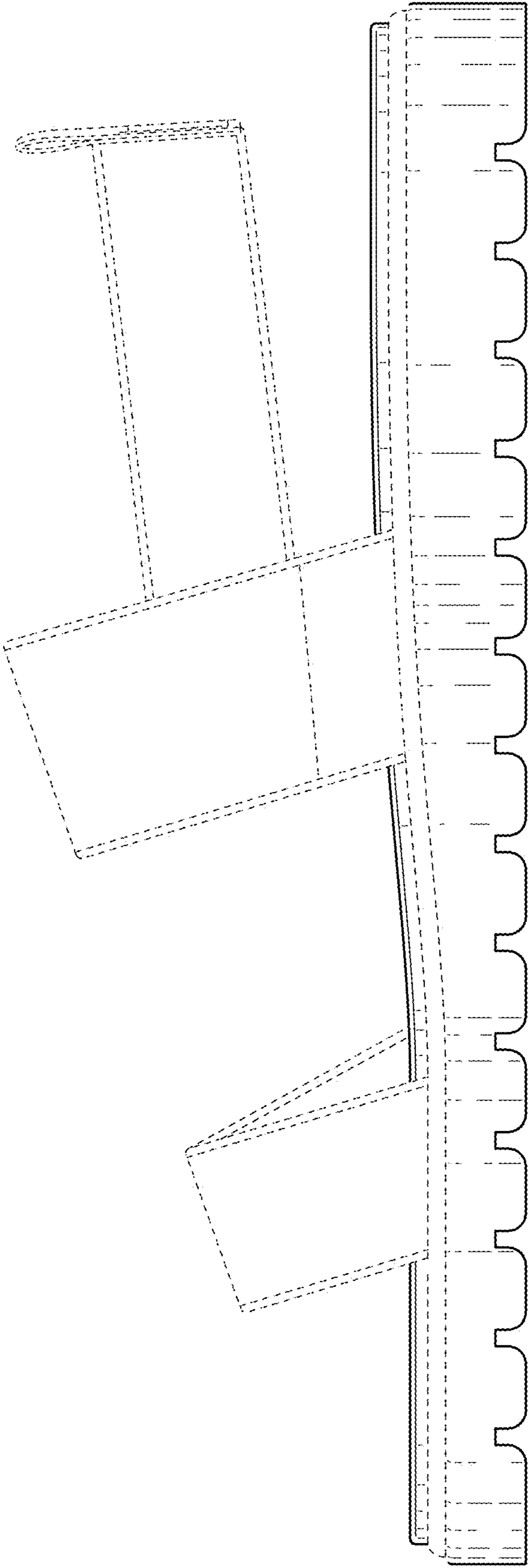


FIG. 6

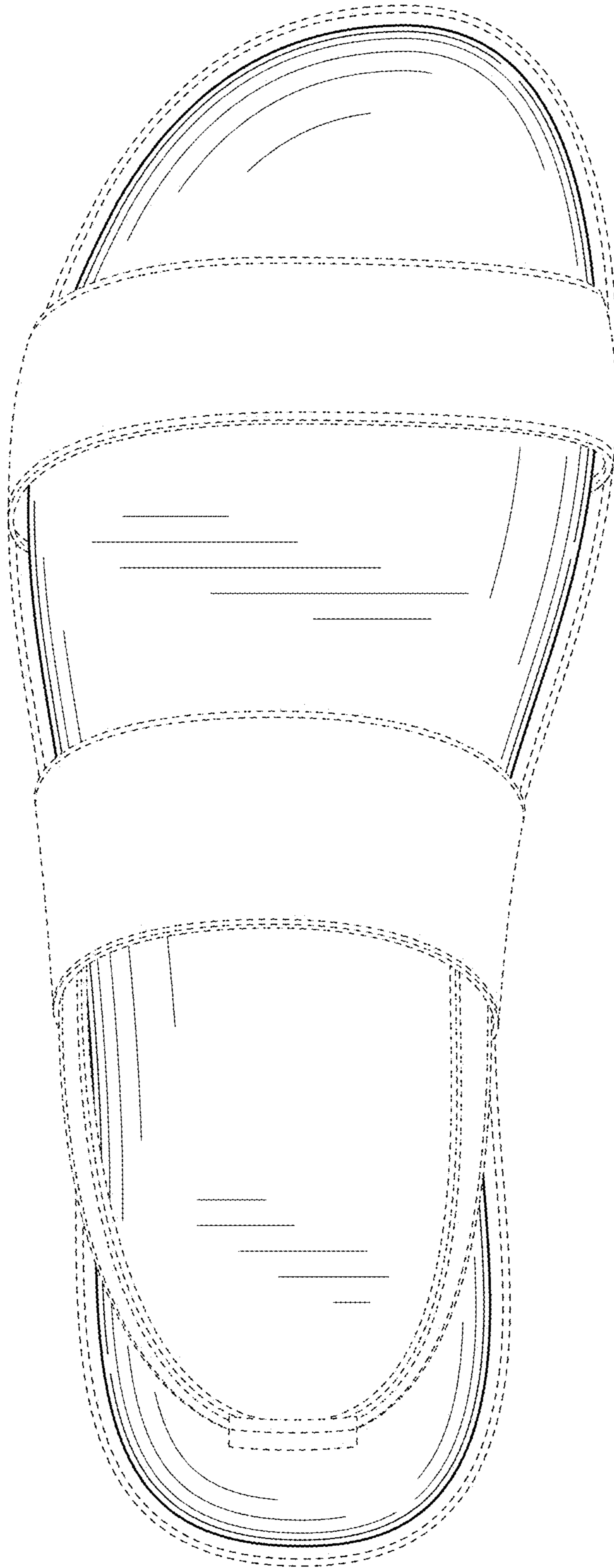


FIG. 7

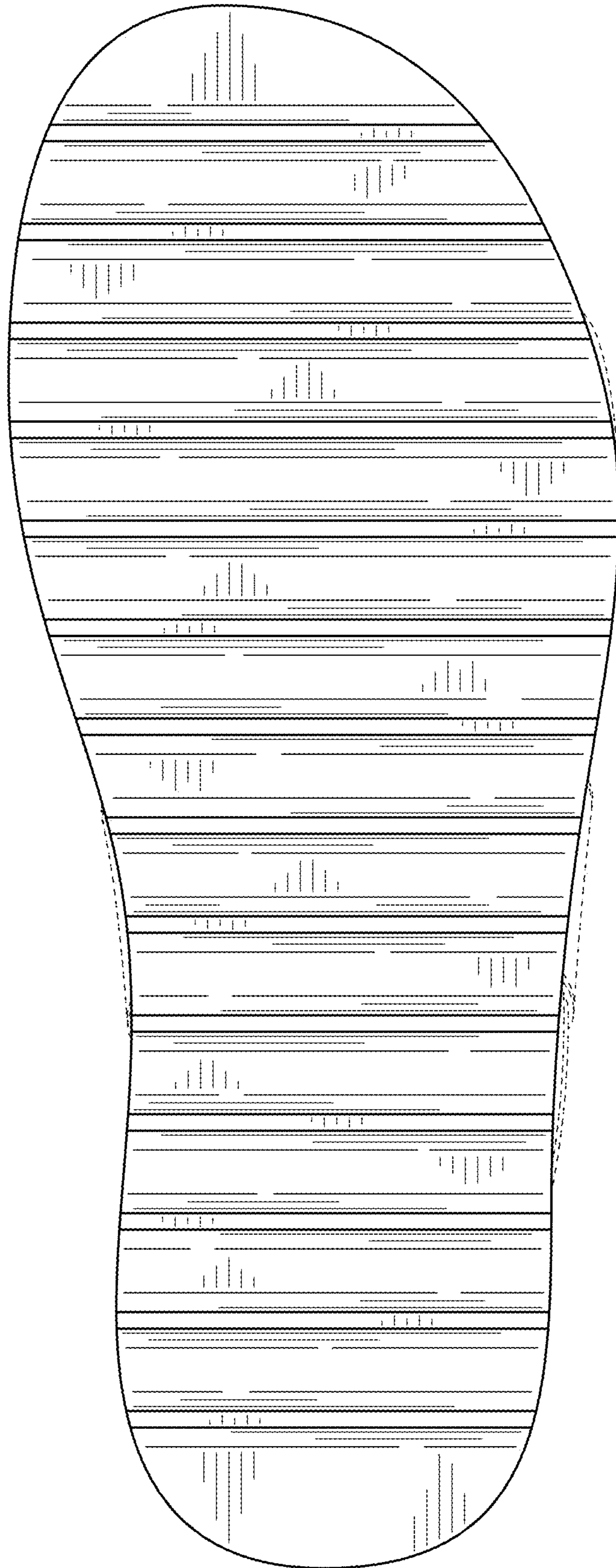


FIG. 8