



US00D987950S

(12) **United States Design Patent**
Damian et al.

(10) **Patent No.:** **US D987,950 S**
(45) **Date of Patent:** **** Jun. 6, 2023**

(54) **FOOTWEAR**

(71) Applicant: **Target Brands, Inc.**, Minneapolis, MN
(US)

(72) Inventors: **Ashley Damian**, Minneapolis, MN
(US); **Megan Ganley**, Boston, MA
(US); **Sara Swenson**, Minneapolis, MN
(US)

(73) Assignee: **Target Brands, Inc.**, Minneapolis, MN
(US)

(**) Term: **15 Years**

(21) Appl. No.: **29/803,433**

(22) Filed: **Aug. 12, 2021**

(51) **LOC (14) Cl.** **02-04**

(52) **U.S. Cl.**
USPC **D2/923**

(58) **Field of Classification Search**
USPC D2/896, 898, 899, 900, 916, 917, 919,
D2/923-926, 943, 946, 969, 972
CPC A43B 1/0081; A43B 3/12; A43B 3/10;
A43B 3/102; A43B 13/00
See application file for complete search history.

(56) **References Cited**

U.S. PATENT DOCUMENTS

D529,263 S	10/2006	Wolf	
7,140,129 B2 *	11/2006	Newson	A43B 3/244 36/3 R
7,146,751 B2	12/2006	Seamans	
D543,681 S	6/2007	McCarthy	
D545,032 S *	6/2007	Wolf	D2/923
D545,033 S *	6/2007	Wolf	D2/926
D549,434 S	8/2007	Seamans	
D564,184 S	3/2008	Issler	
D564,204 S	3/2008	Seamans	
D567,483 S *	4/2008	Liow	D2/896
D575,034 S	8/2008	Hoyt	
D575,480 S	8/2008	Zimmerman	

D575,499 S	8/2008	Seamans	
D578,743 S *	10/2008	Liow	D2/896
D579,182 S	10/2008	Klavano	
D584,032 S	1/2009	Jarosik	
D599,538 S	9/2009	del Biondi et al.	
D604,940 S	12/2009	Collier	

(Continued)

FOREIGN PATENT DOCUMENTS

FR	2759550	8/1998
WO	WO2007038552	4/2007

OTHER PUBLICATIONS

Operating Room Shoes Surgical Clogs with Back Strap AATA,
<https://www.medicalfootwear.net/operating-room-shoes-surgical-clogs-with-back-strap-aata>, downloaded Nov. 8, 2021.

(Continued)

Primary Examiner — Rashida C. Walshon

(74) *Attorney, Agent, or Firm* — Merchant & Gould P.C.

(57) **CLAIM**

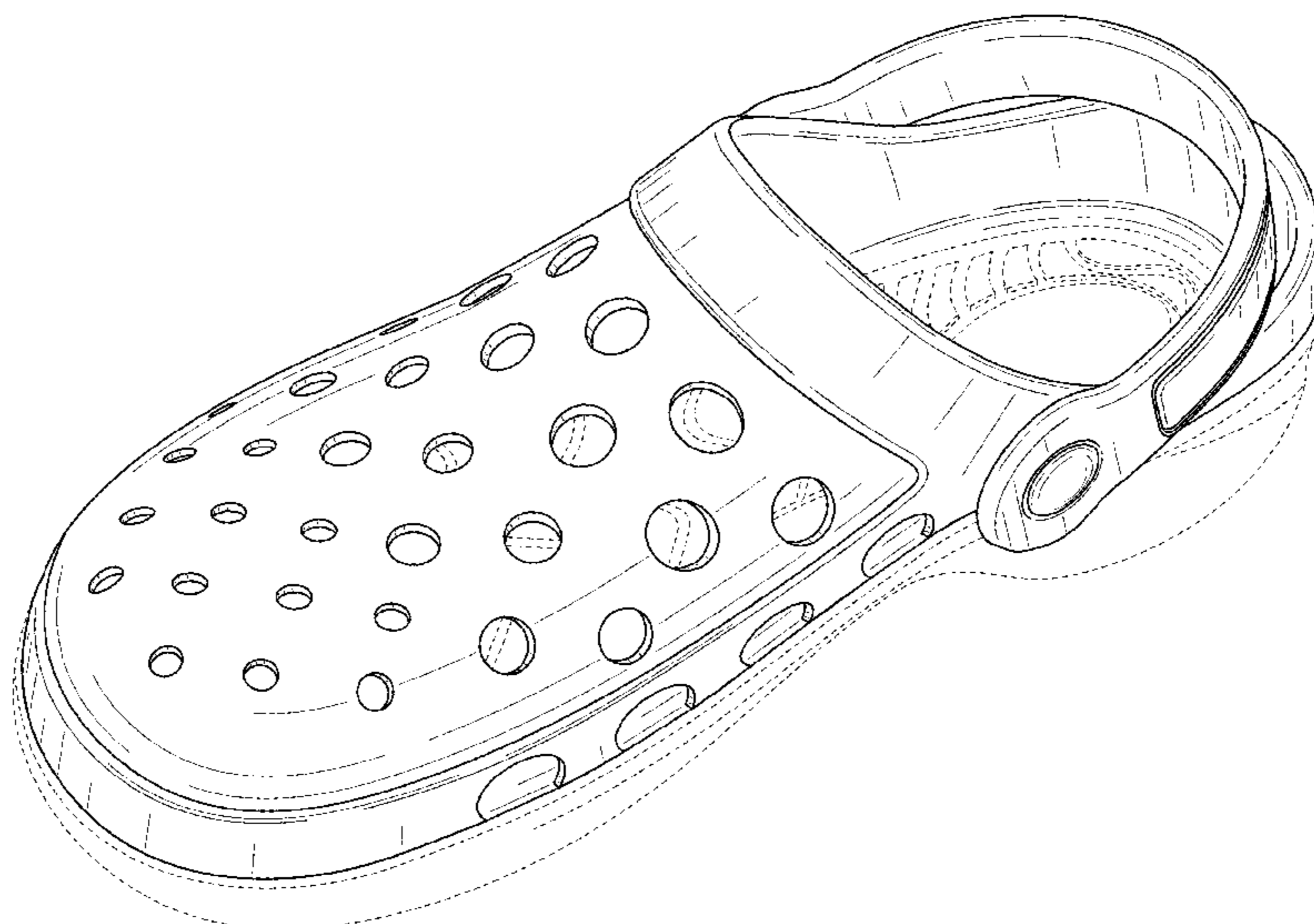
The ornamental design for a footwear, as shown and described.

DESCRIPTION

FIG. 1 is a front, top and left side perspective view of an embodiment of a footwear according to the new design; FIG. 2 is a front side elevation view thereof; FIG. 3 is a back side elevation view thereof; FIG. 4 is a left side view thereof; FIG. 5 is a right side view thereof; FIG. 6 is a top plan view thereof; FIG. 7 is a bottom plan view thereof; and, FIG. 8 is a back, bottom and right side perspective view thereof.

The broken lines in the drawings show portions that form no part of the claimed design.

1 Claim, 7 Drawing Sheets



(56)

References Cited

U.S. PATENT DOCUMENTS

7,980,004	B2	7/2011	Klavano	
D642,773	S	8/2011	Liow	
D650,157	S	12/2011	Liow	
D667,612	S	9/2012	Del Biondi et al.	
D676,223	S *	2/2013	Dill	D2/942
D677,039	S	3/2013	Lubart	
D698,133	S	1/2014	Callegarini et al.	
D698,531	S	2/2014	Lock et al.	
D721,473	S	1/2015	Kue	
D722,747	S *	2/2015	Kue	D2/923
D819,945	S	6/2018	Escobar	
D825,899	S	8/2018	Engerman	
D833,124	S *	11/2018	Laska	D2/916
D833,125	S *	11/2018	Laska	D2/916
D843,089	S	3/2019	Chanthavong	
D856,642	S	8/2019	Abadjian	
D867,732	S *	11/2019	Matis	D2/896
D903,250	S *	12/2020	Zhang	D2/903
D909,027	S	2/2021	Fongher et al.	
D942,745	S *	2/2022	Ye	D2/903
D959,106	S *	8/2022	Lv	D2/947
D959,803	S *	8/2022	Lv	D2/947
D960,534	S *	8/2022	Dunham	D2/900
2008/0276492	A1	11/2008	Burnett	
2013/0145651	A1 *	6/2013	Bathum	A43B 3/101 36/43

OTHER PUBLICATIONS

Toffeln Aktiv Klog 0230—Navy—04, <https://www.google.com/shopping/product/4634020126335163910?hl=en&q=clogs+gradient+holes+in+upper+gradually+getting+larger&prds=epd:8540881670979473604,oid:8540881670979473604,prmr:1&sa=X&ved=0ahUKEwjTu9irraHvAhVBS6wKHXY1DgoQ20slEg>, downloaded Nov. 8, 2021.

Greek Clogs, <https://www.greekgear.com/greekclogs.html>, downloaded Nov. 8, 2021.

Ultra Light Clogs—with Straps, https://us-mediworld.glopalstore.com/ultra-light-clogs-with-straps/?utm_campaign=pr_r&utm_source=https://mediworld.co.uk&utm_medium=wi_proxy&utm_content=en_GB&utm_term=a, downloaded Nov. 8, 2021.

DAWGS Dawgs Clog (Toddler/Little Kid), <https://www.amazon.com/DAWGS-Dawgs-Clog-Toddler-Little/dp/B00OA1RSPU>, downloaded Nov. 8, 2021.

Crocs Sandalia Babuche leve confortavel super promoção, <https://shopee.com.br/Crocs-Sandalia-Babuche-super-promo%C3%A7%C3%A3o-i.340110136.4474111751>, downloaded Nov. 8, 2021.

Sandália Clog Babuche Boa Onda John Masculino—Grafite, <https://www.zattini.com.br/sandalia-clog-babuche-boa-onda-john-masculino-grafite-ARU-0122-266>, downloaded Nov. 8, 2021.

NWT SZ 5/6 Pink Rubber Mules, https://poshmark.com/listing/NWT-SZ-56-Pink-Rubber-Mules-601fb9c93649f35b3f4dd5f?1_con=NWT%2FNEW&utm_source=gdms_unpaid, downloaded Nov. 8, 2021.

Target Clogs, https://www.thredup.com/kids/boys/shoes?department_tags=boys&category_tags=shoes&color_names=black&featured_item=91935384&price=10%2C20&referral_code=adwords_pla&search_tags=boys-shoes, downloaded Nov. 8, 2021.

Kids Cloga, <http://offers.kd2.org/en/mt/lidl/pKUY/>, downloaded Nov. 8, 2021.

Lupilu® Children's / Girls' and Boys' Clogs with Elastic Heel Strap, <https://www.amazon.de/-/en/Lupilu%C2%AE-Childrens-Girls-Clogs-Elastic/dp/B07R17BXJD>, downloaded Nov. 8, 2021.

Ultra Light Clogs—with Straps, <https://mediworld.co.uk/ultra-light-clogs-with-straps/>, downloaded Nov. 8, 2021.

Mules Clogs, https://www.wish.com/product/5b25ad4aa11fc139d07bc367?from_ad=goog_shopping&_display_country_code=US&_force_currency_code=USD&pid=googleadwords_int&c=%7BcampaignId%7D&ad_cid=5b25ad4aa11fc139d07bc367&ad_cc=US&ad_lang=EN&ad_curr=USD&ad_price=13.00&hide_logi&share=web, downloaded Nov. 8, 2021.

Oxyclog OB ESD E SRA A, <https://www.safetyjogger.com/en/ds/oxyclog>, downloaded Nov. 8, 2021.

CROCS Crocband Wavy Band Clog K Kids for boys/for girls, children, kids TmallFS shoes rubber slippers clogs for children, <https://www.aliexpress.com/i/33055230735.html>, downloaded Nov. 8, 2021.

Kids Boys Girls LED Clogs Cute Lightweight Summer Slippers Garden Beach Sandals, https://www.alibaba.com/product-detail/Kids-Boys-Girls-LED-Clogs-Cute_1600085634118.html?mark=google_shopping&seo=1, downloaded Nov. 8, 2021.

Classic Clog, https://www.crocs.com/p/classic-clog/10001.html?cgid=men-footwear-clogs&cid=3TJ&irgwc=1&adid=aff_impact_US_454865_x_x_10078_10078_x_x_10078_x&clickid=z7s06KUWMxyLRiM0MdV3iVCmUkG09z3cvU%3ANzk0#start=5, downloaded Nov. 8, 2021.

Joybees Men's Modern Clogs, https://www.kohls.com/product/prd-4922822/joybees-mens-modern-clogs.jsp?skuid=72587337&CID=shopping15&utm_campaign=MENS%20DRS/CAS/SEASONA&utm_medium=CSE&utm_source=google&utm_product=72587337&utm_campaignid=9733267153&gclid=EAIaIQobChMItaLVzf-I9AIVS-TIC0c-gkEAQYDyABEgLNxflD_BwE&gclid=aw.ds, downloaded Nov. 8, 2021.

Boys Camo Printed Two Tone Clog with Backstrap, <https://capellinewyork.com/products/boys-camo-printed-two-tone-clog-with-backstrap>, downloaded Nov. 8, 2021.

* cited by examiner

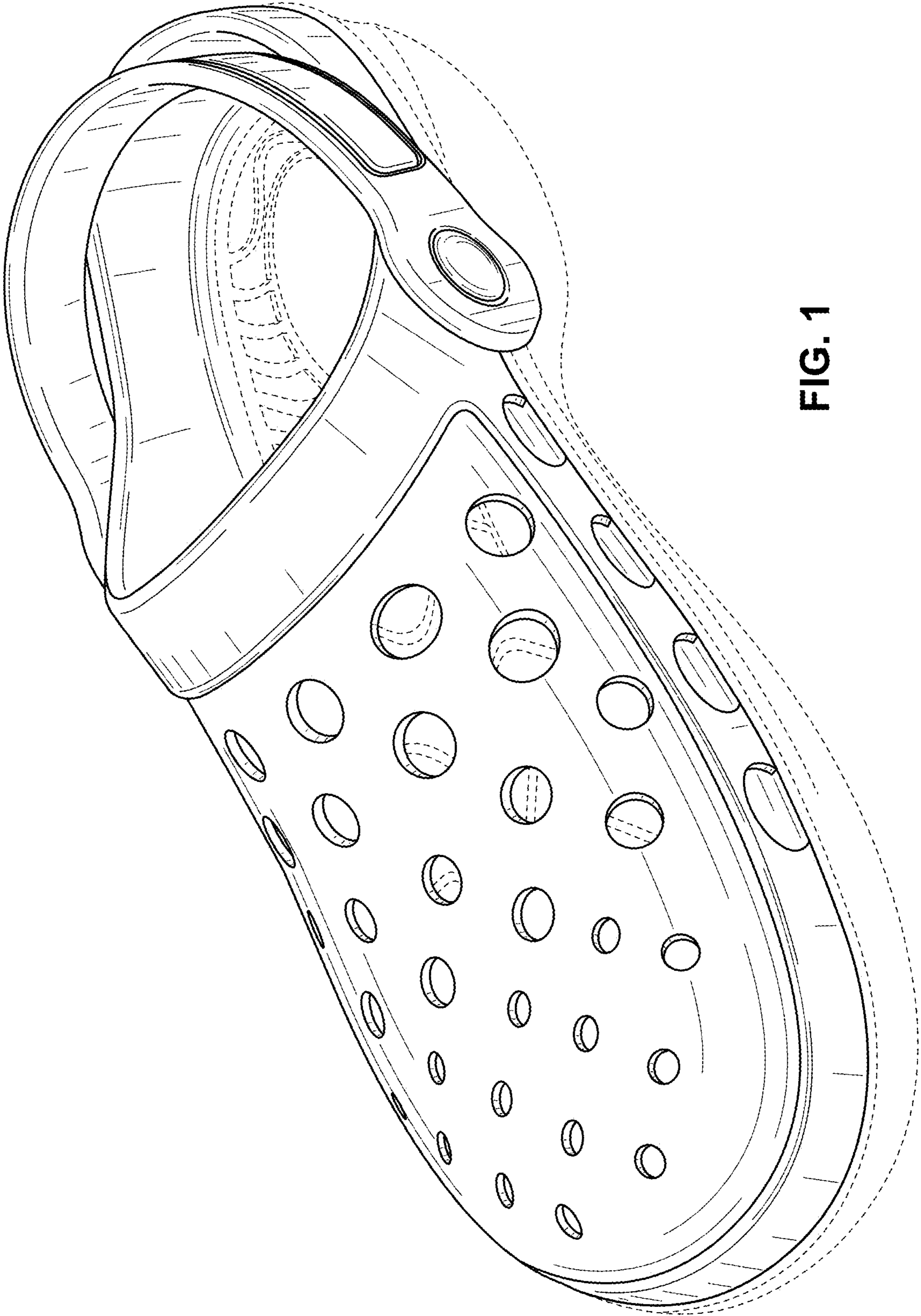


FIG. 1

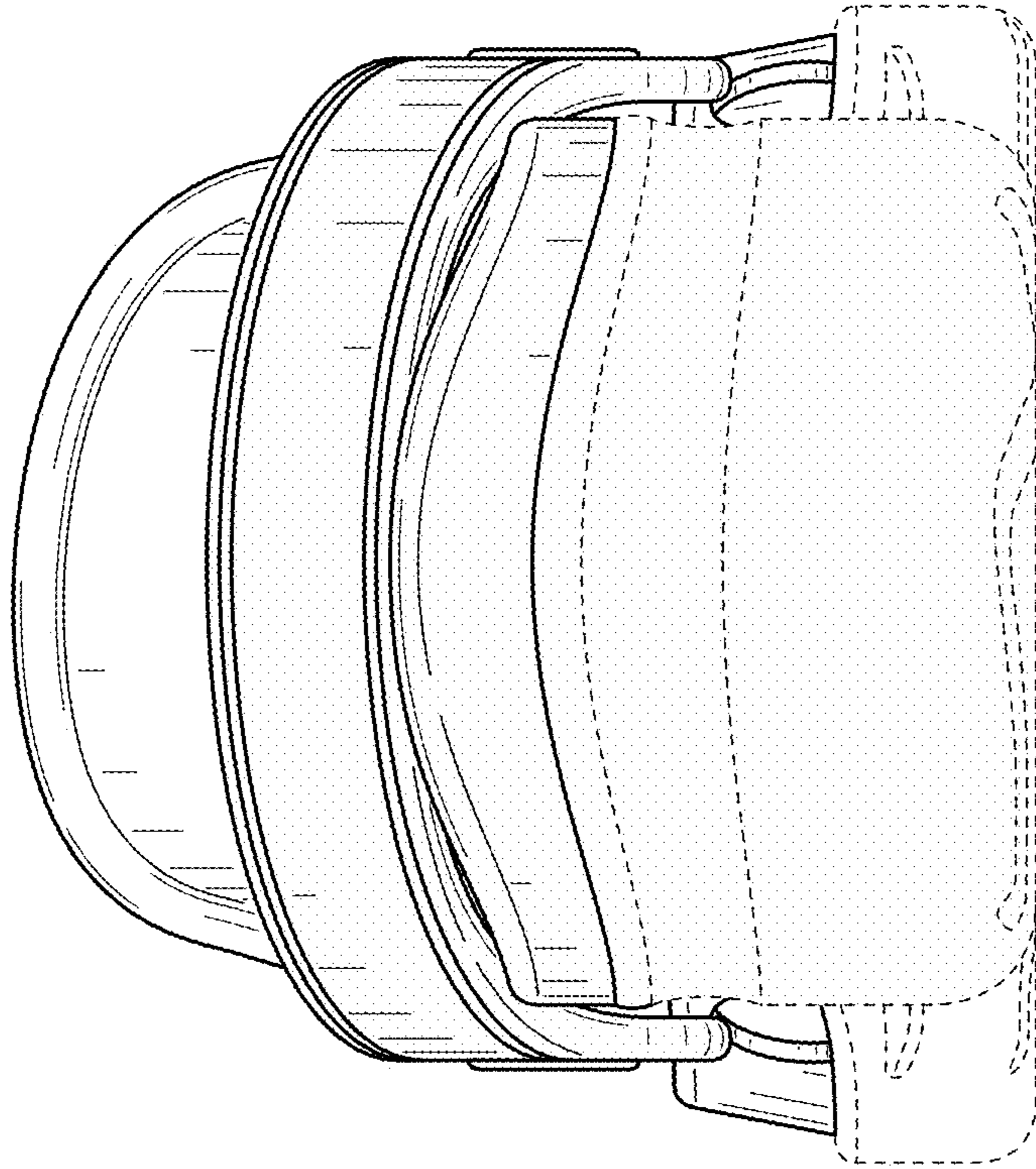


FIG. 3

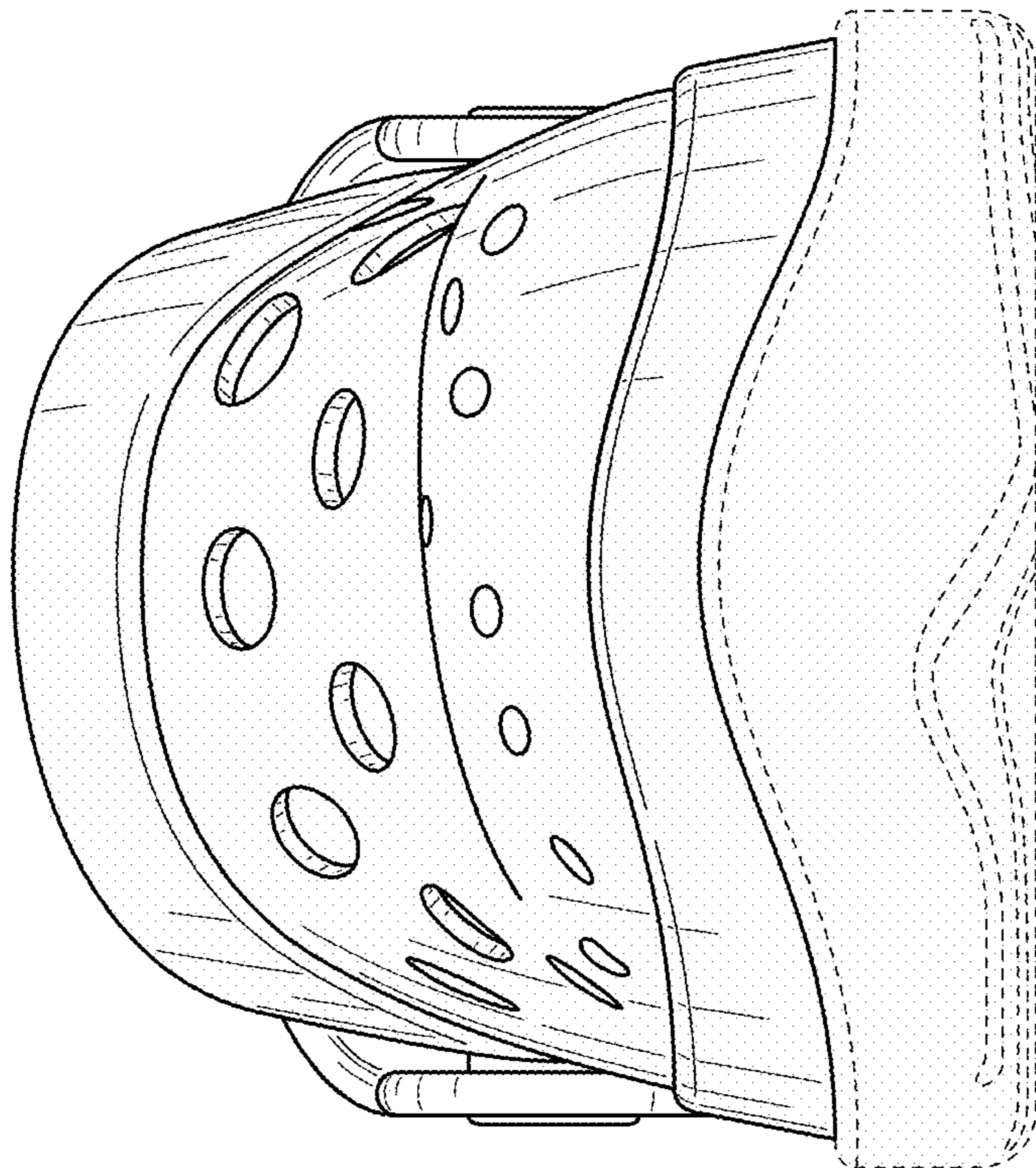


FIG. 2

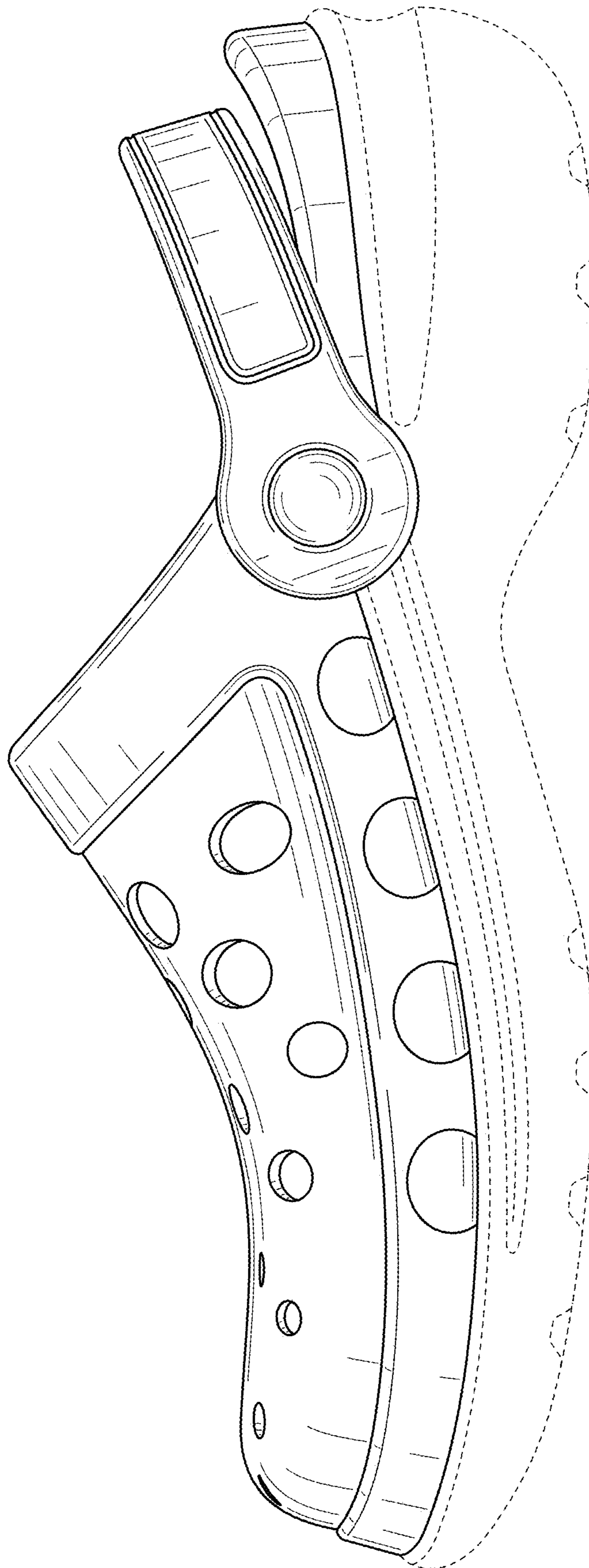


FIG. 4

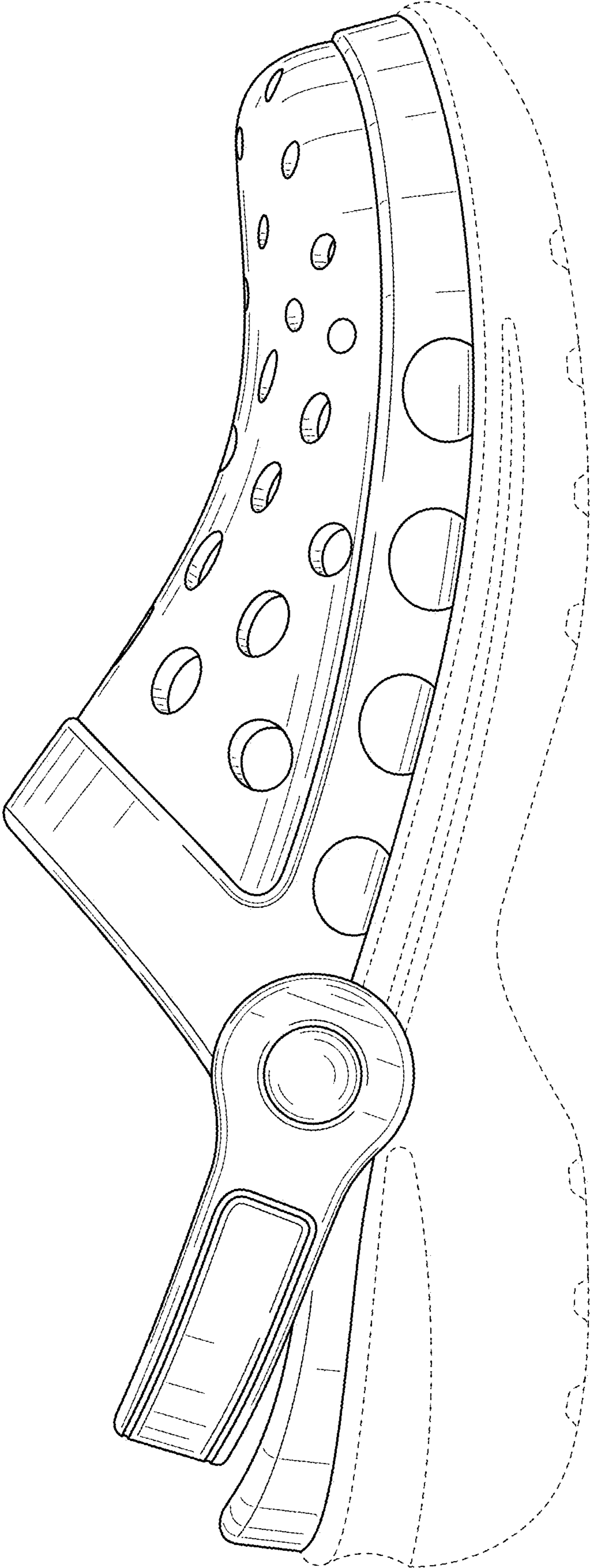


FIG. 5

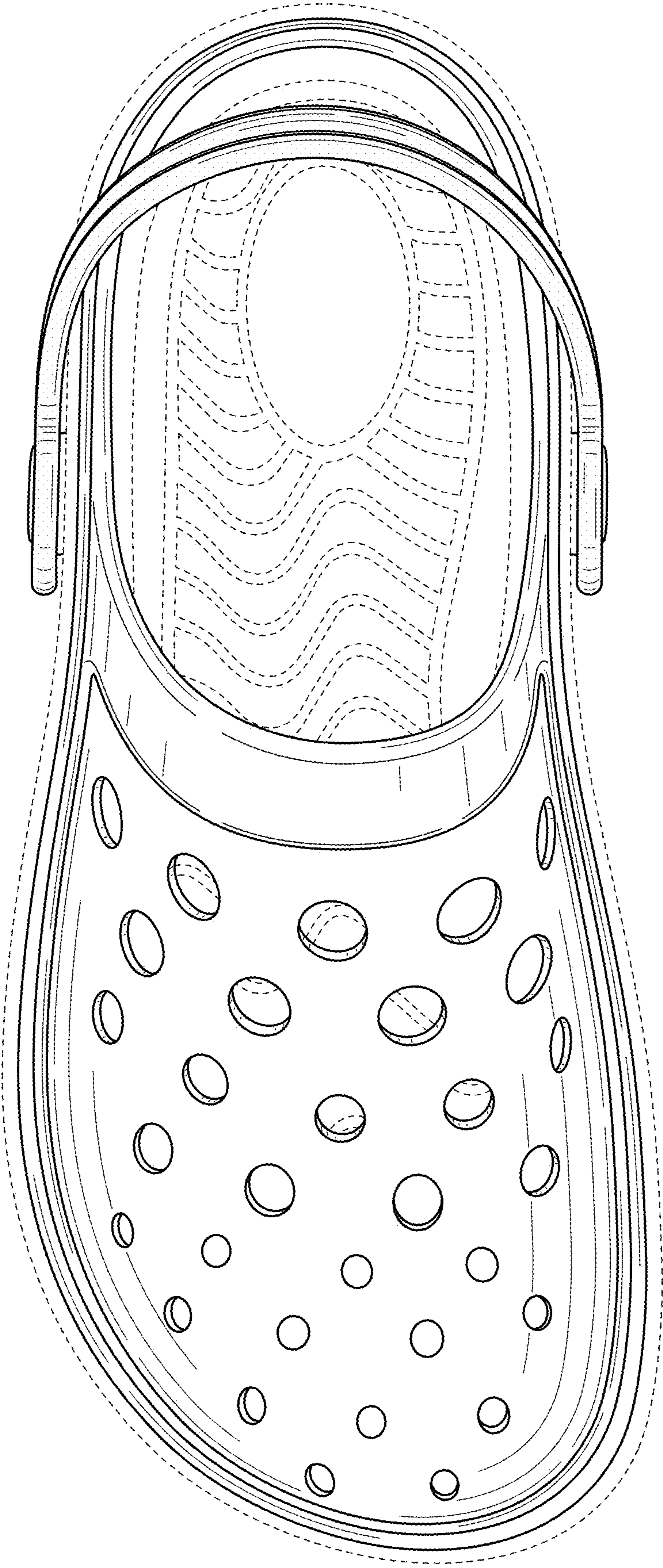


FIG. 6

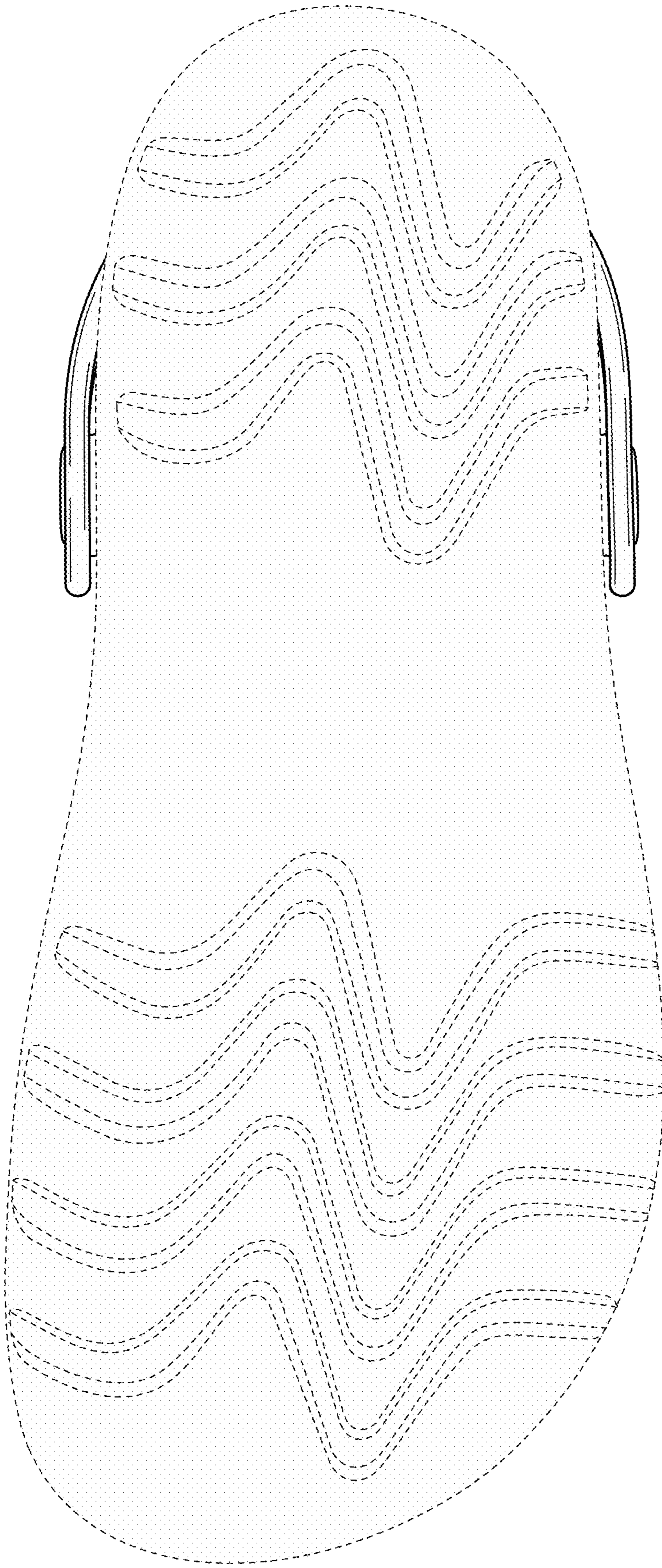


FIG. 7

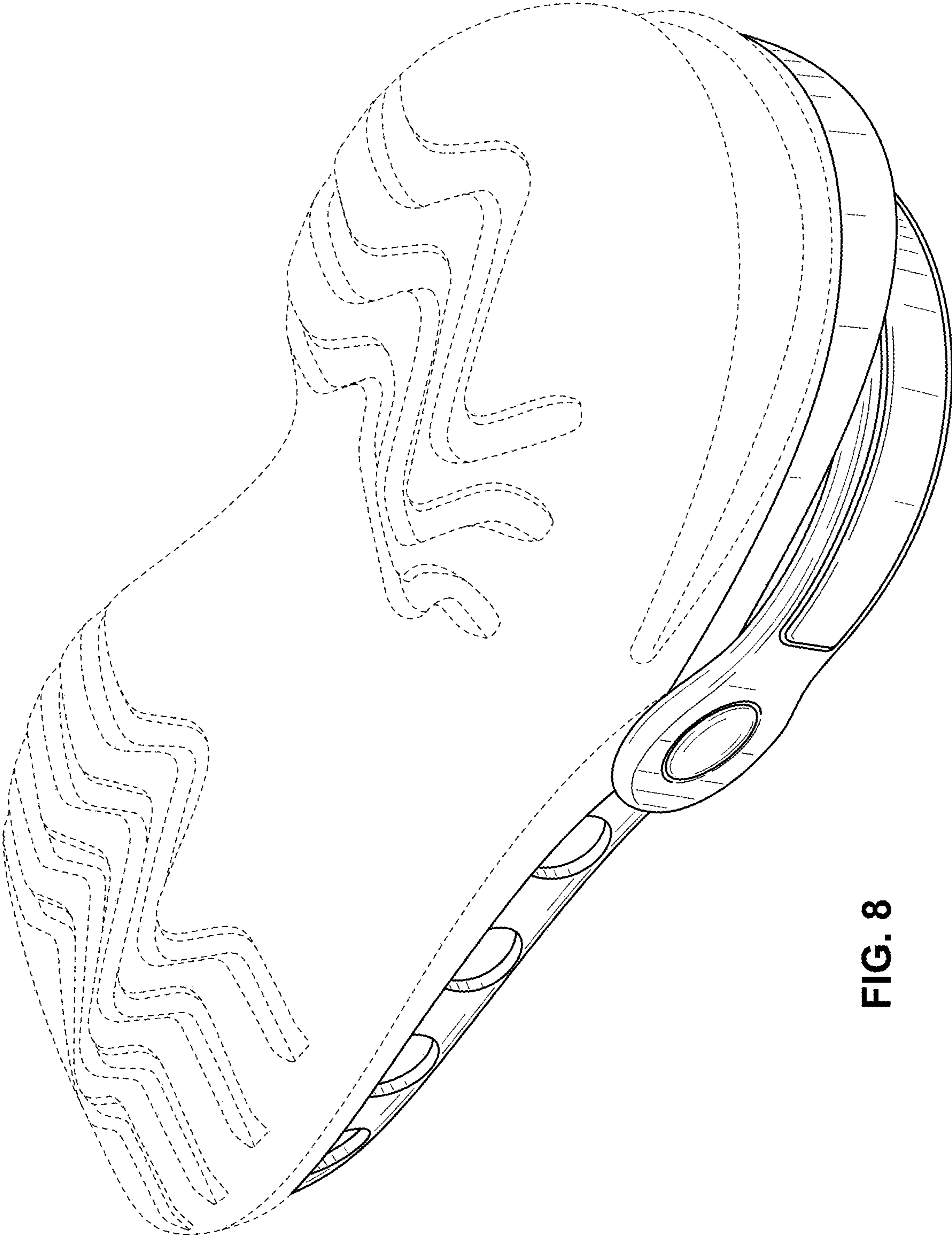


FIG. 8