



US00D987944S

(12) **United States Design Patent**
Kroshinskaya

(10) **Patent No.:** **US D987,944 S**
(45) **Date of Patent:** **** Jun. 6, 2023**

- (54) **FOOTWEAR**
- (71) Applicant: **Target Brands, Inc.**, Minneapolis, MN (US)
- (72) Inventor: **Mariya Kroshinskaya**, Minneapolis, MN (US)
- (73) Assignee: **Target Brands, Inc.**, Minneapolis, MN (US)
- (**) Term: **15 Years**
- (21) Appl. No.: **29/812,639**
- (22) Filed: **Oct. 22, 2021**
- (51) **LOC (14) Cl.** **02-04**
- (52) **U.S. Cl.**
USPC **D2/916**
- (58) **Field of Classification Search**
USPC D2/896, 902-908, 916-918, 923, 946, D2/969, 972-974
CPC A43B 5/001-025; A43B 3/12; A43B 3/16
See application file for complete search history.

D563,091 S	3/2008	St-Louis et al.	
D563,658 S	3/2008	St-Louis et al.	
D563,662 S	3/2008	St-Louis et al.	
D564,196 S	3/2008	Matis et al.	
D564,199 S	3/2008	Belley et al.	
D565,287 S	4/2008	Belley et al.	
D566,954 S	4/2008	St-Louis et al.	
D570,093 S	6/2008	Belley et al.	
D580,145 S	11/2008	Belley et al.	
D582,648 S	12/2008	Belley et al.	
D582,649 S	12/2008	St-Louis et al.	
D593,286 S	6/2009	Del Biondi et al.	
D593,287 S	6/2009	Del Biondi et al.	
D593,299 S	6/2009	St-Louis et al.	
D597,291 S *	8/2009	Banik	D2/969
D626,728 S	11/2010	Tzenos et al.	
D628,784 S *	12/2010	Joseph	D2/916

(Continued)

Primary Examiner — Rashida C. Walshon
(74) *Attorney, Agent, or Firm* — Merchant & Gould P.C.

(57) **CLAIM**

The ornamental design for a footwear, as shown and described.

DESCRIPTION

FIG. 1 is a front, top, and right side perspective view of a second embodiment of a footwear according to the new design;

FIG. 2 is a front side elevation view thereof;
FIG. 3 is a back side elevation view thereof;
FIG. 4 is a right side elevation view thereof;
FIG. 5 is a left side elevation view thereof;
FIG. 6 is a top plan view thereof;
FIG. 7 is a bottom plan view thereof; and,
FIG. 8 is a back, bottom, and left side perspective view thereof.

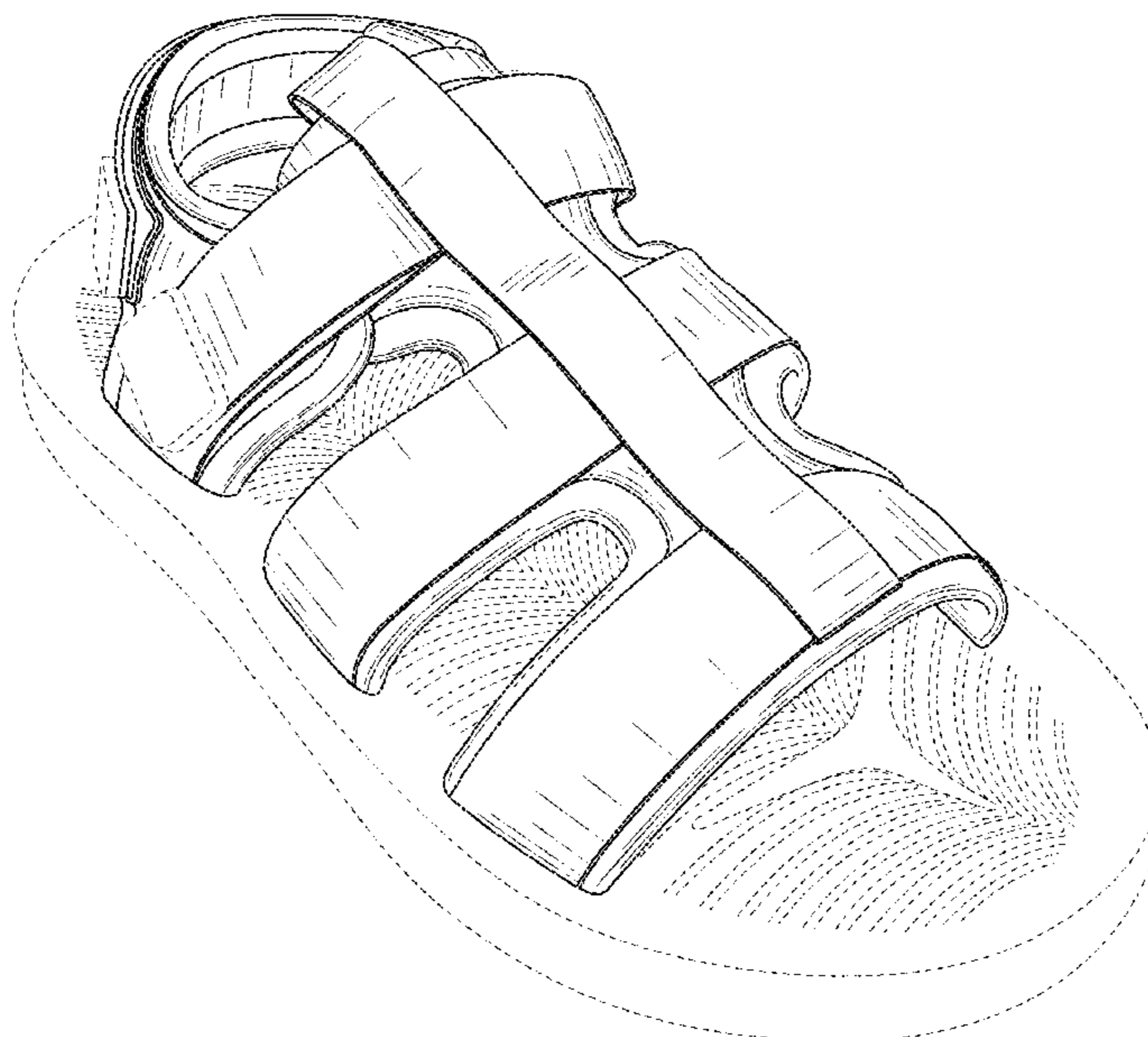
The broken lines in the drawings show portions that form no part of the claimed design.

1 Claim, 8 Drawing Sheets

(56) **References Cited**

U.S. PATENT DOCUMENTS

D459,863 S *	7/2002	Butler	D2/916
D460,246 S *	7/2002	Butler	D2/916
D477,129 S	7/2003	Ramer	
D486,627 S	2/2004	Rogers et al.	
D486,957 S	2/2004	Rogers et al.	
D487,620 S	3/2004	Robbins	
D487,622 S	3/2004	Rogers et al.	
D487,624 S	3/2004	Rogers et al.	
D504,215 S	4/2005	Matis et al.	
D506,595 S *	6/2005	Rimple	D2/916
D527,873 S	9/2006	Schoenborn et al.	
D534,716 S	1/2007	Matis et al.	
D547,538 S	7/2007	Belley et al.	
D547,936 S *	8/2007	Masullo	D2/969



(56)

References Cited

U.S. PATENT DOCUMENTS

D642,360 S	8/2011	Hansen	
D644,422 S	9/2011	Selbiger	
D645,232 S	9/2011	Ratner et al.	
D659,378 S	5/2012	Loverin	
D694,495 S	12/2013	Hansen	
D695,497 S	12/2013	Sanner	
D696,500 S	12/2013	Hunt	
D698,532 S *	2/2014	Mochen	D2/916
D703,422 S	4/2014	Hansen	
D708,823 S *	7/2014	Katz	D2/916
D711,079 S	8/2014	Issler	
D718,024 S	11/2014	Wells	
D734,013 S	7/2015	Ringholz	
D734,014 S	7/2015	Ringholz	
D739,123 S	9/2015	House	
D752,848 S	4/2016	Santos	
D759,949 S	6/2016	Schwartz	
D781,540 S	3/2017	Mitchell et al.	
D783,956 S	4/2017	Mitchell et al.	
D786,540 S	5/2017	Mansour	
D796,166 S *	9/2017	Ringholz	D2/916
D804,785 S *	12/2017	Ringholz	D2/916
D814,764 S	4/2018	Issler	
D815,812 S	4/2018	Matsuo	
D851,368 S *	6/2019	Fuerst, Sr.	D2/916
D852,472 S *	7/2019	Sherman	D2/916
D909,025 S *	2/2021	Fuerst, Sr.	D2/916
D919,943 S *	5/2021	Zhang	D2/954

* cited by examiner

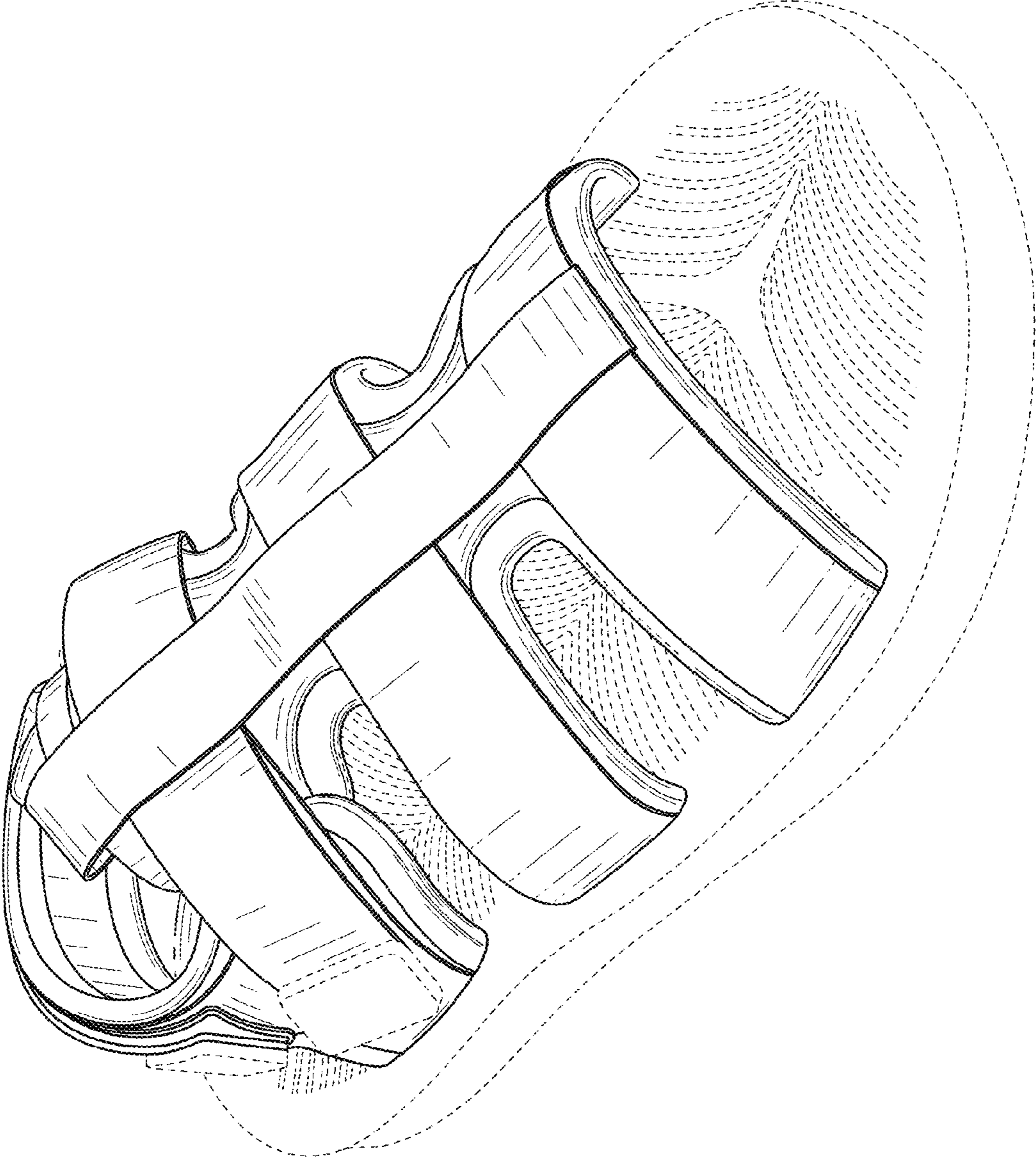


FIG. 1

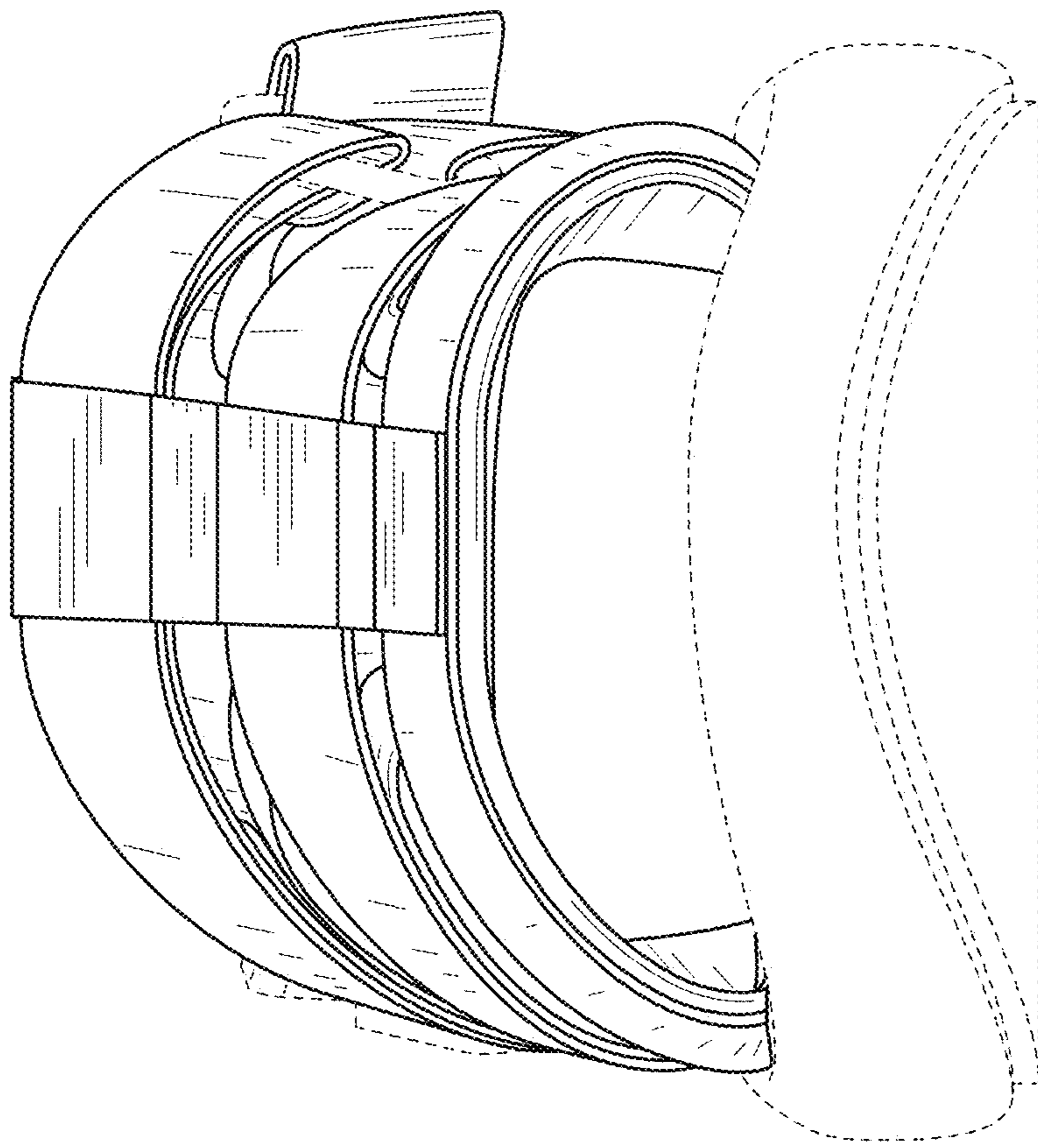


FIG. 2

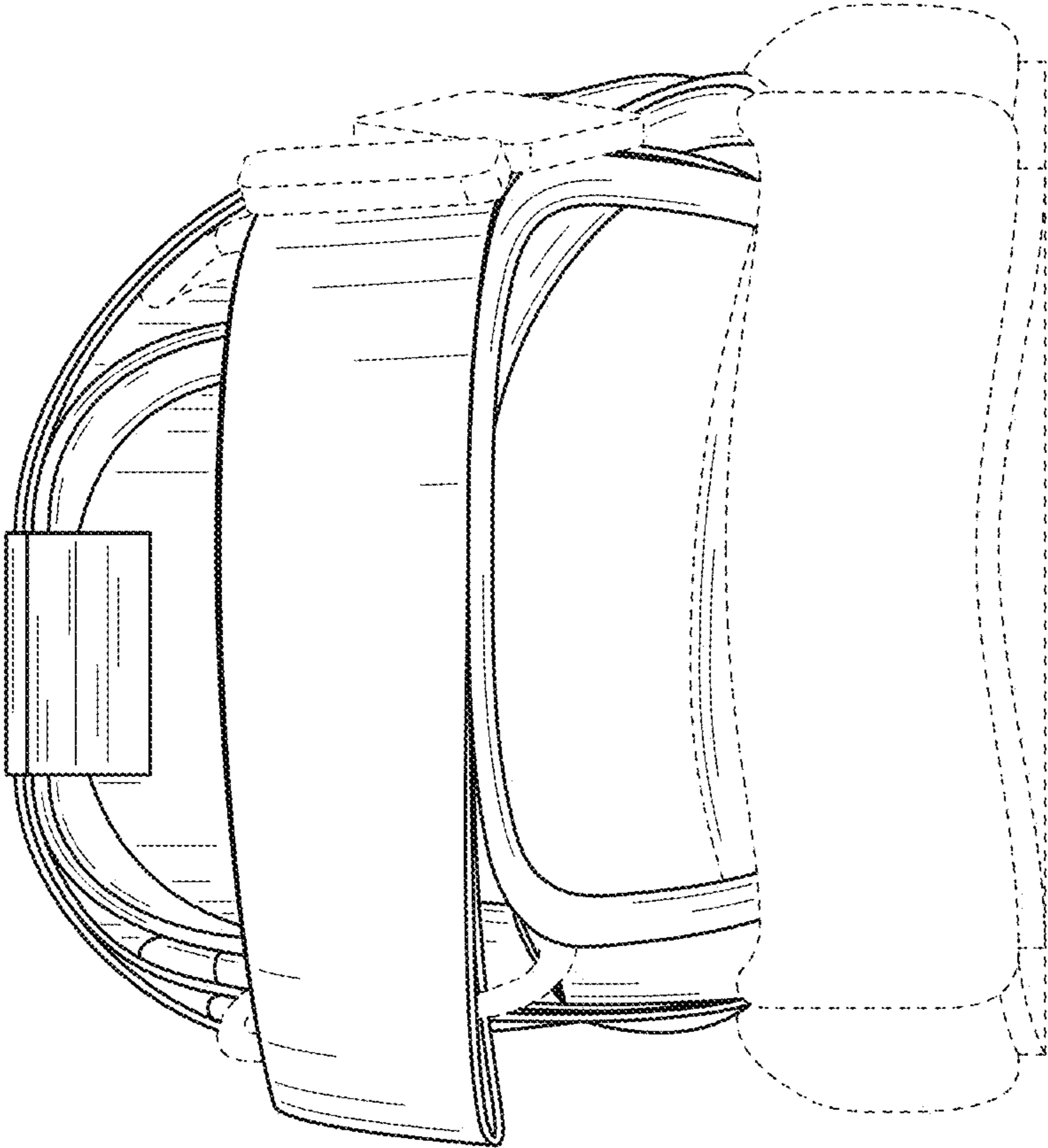


FIG. 3

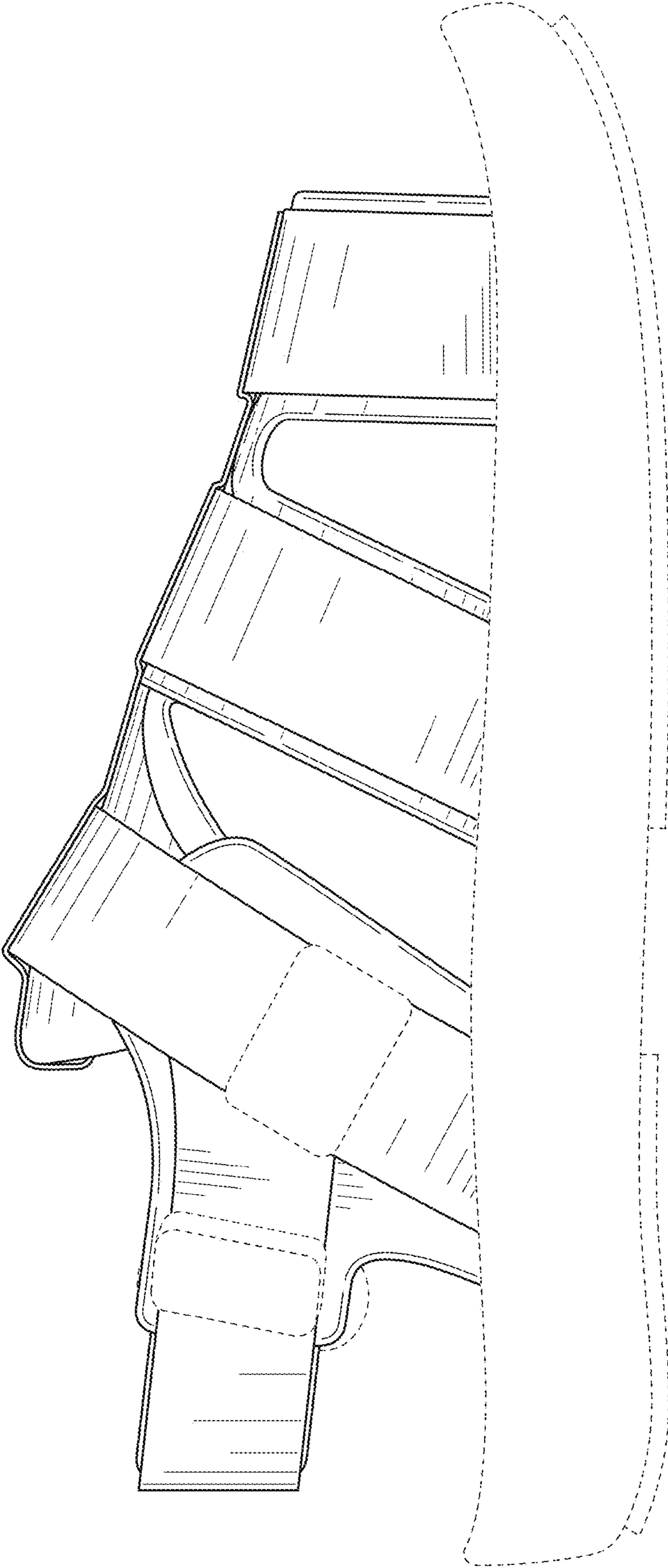


FIG. 4

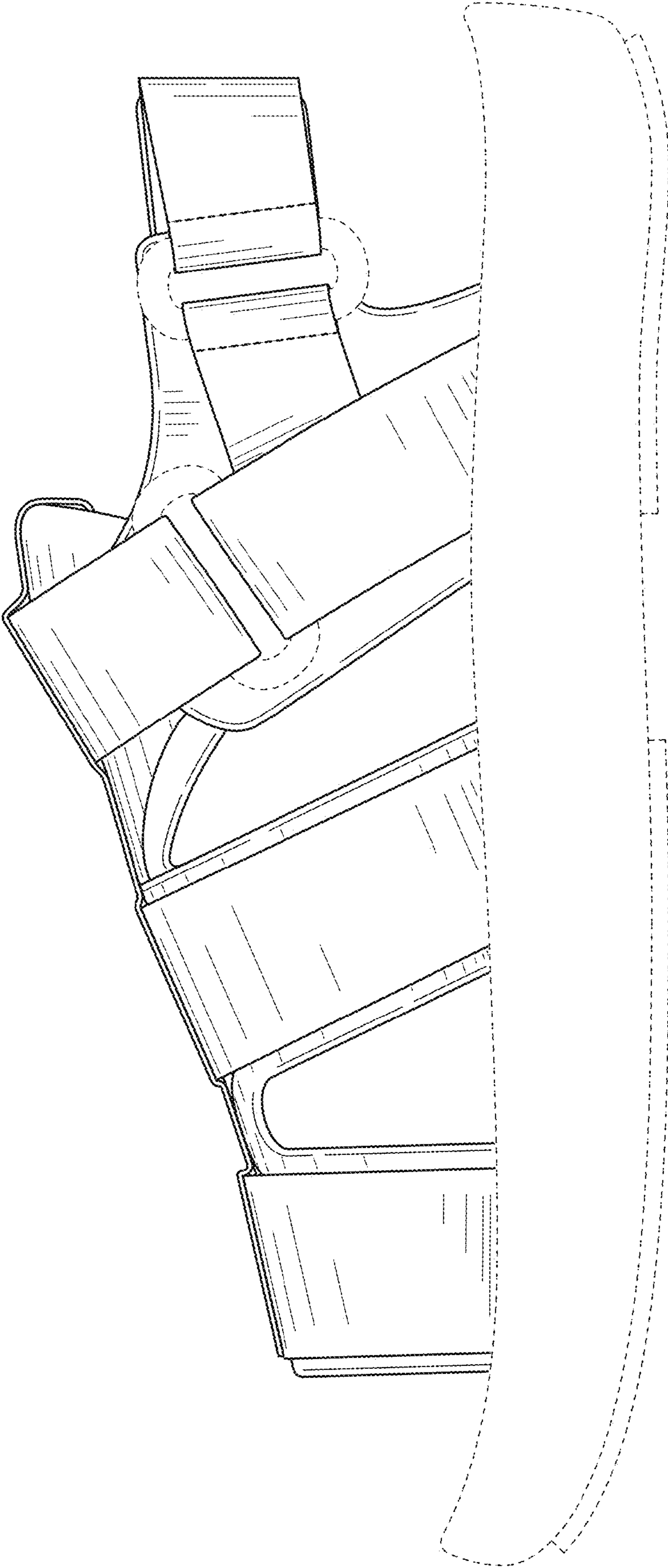


FIG. 5

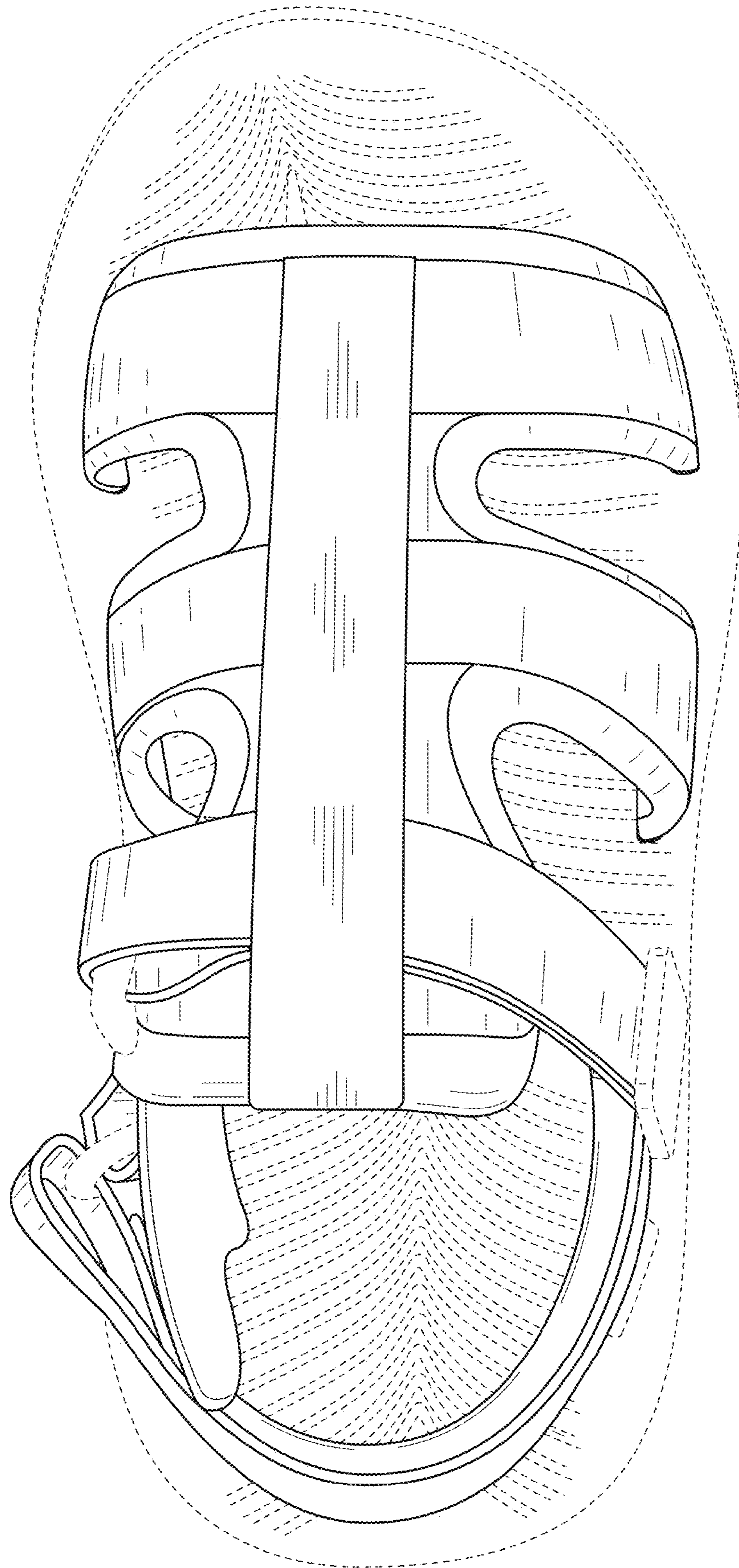


FIG. 6

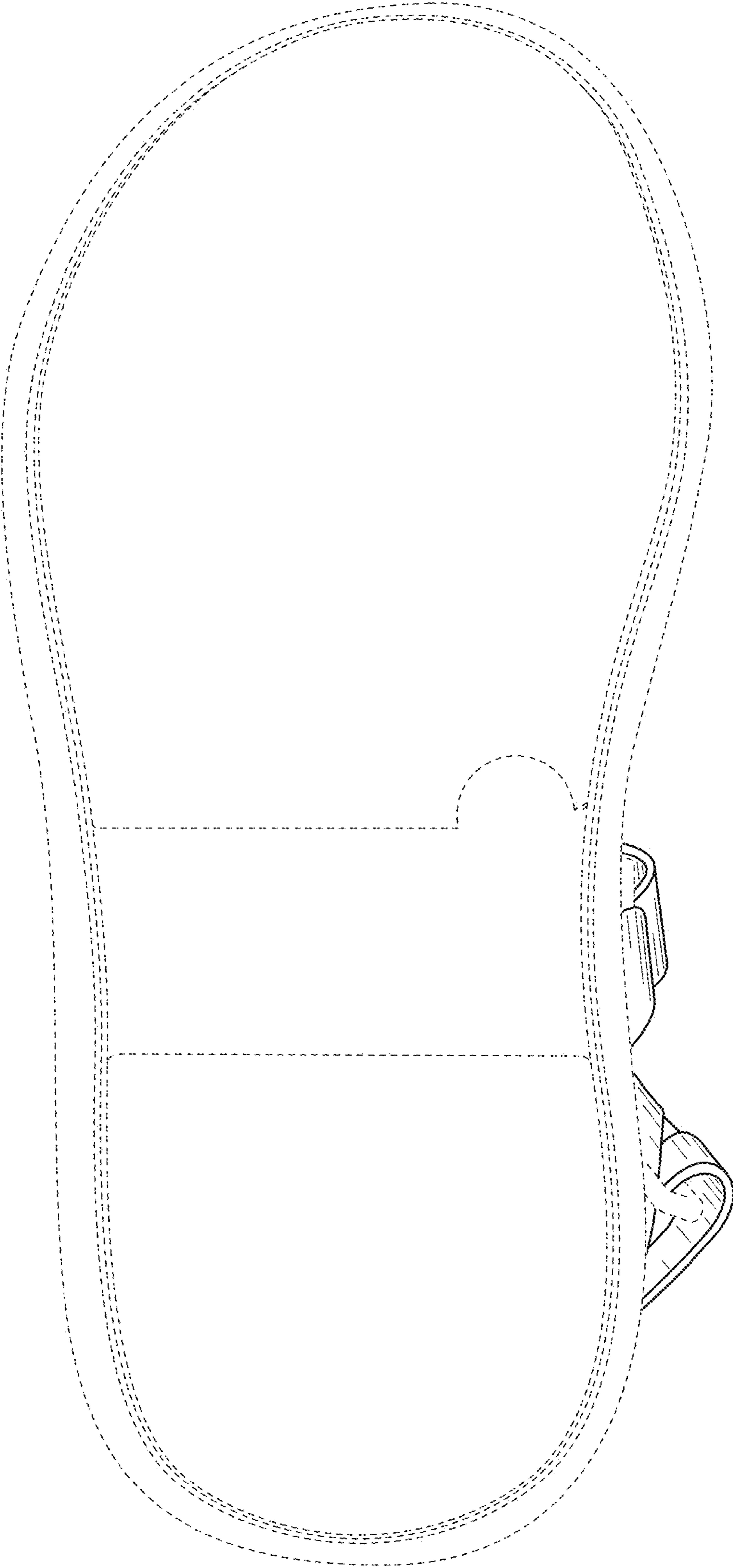


FIG. 7

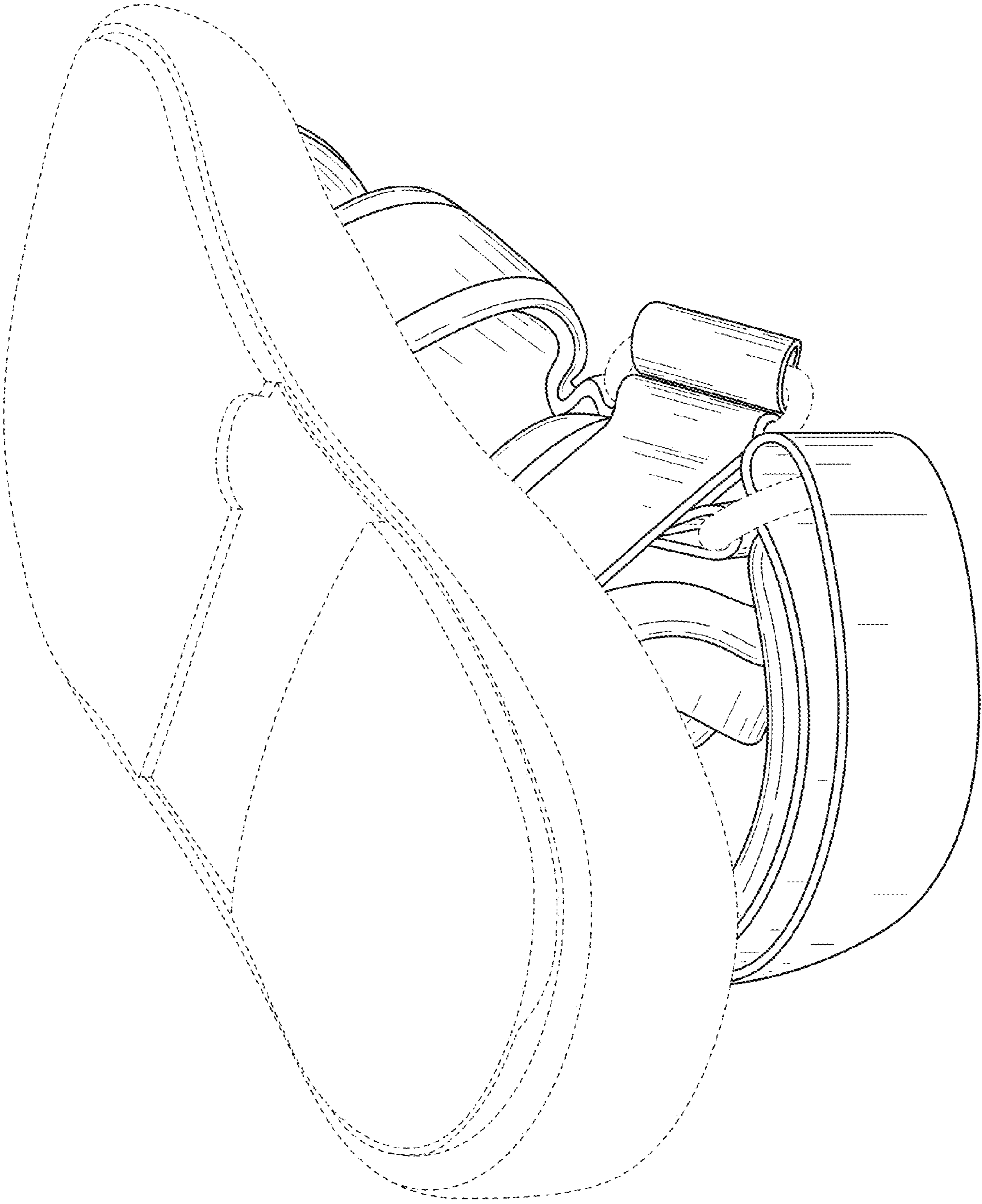


FIG. 8