



US00D987940S

(12) **United States Design Patent**
Park

(10) **Patent No.:** **US D987,940 S**
(45) **Date of Patent:** **** Jun. 6, 2023**

- (54) **SHOE**
- (71) Applicant: **PUMA SE**, Herzogenaurach (DE)
- (72) Inventor: **Hyunchul Park**, Nuremberg (DE)
- (73) Assignee: **PUMA SE**, Herzogenaurach (DE)
- (**) Term: **15 Years**

- (21) Appl. No.: **29/841,013**
- (22) Filed: **Jun. 2, 2022**

Related U.S. Application Data

- (63) Continuation of application No. 29/755,213, filed on Oct. 19, 2020, now Pat. No. Des. 957,097.

- (51) **LOC (14) Cl.** **02-04**
- (52) **U.S. Cl.**
USPC **D2/951; D2/953; D2/957; D2/959; D2/947**

- (58) **Field of Classification Search**
USPC D2/902, 906, 908, 916, 918, 925, D2/946-962, 977
CPC A43B 13/00; A43B 13/02; A43B 13/023; A43B 13/026; A43B 13/04; A43B 13/08; A43B 13/10; A43B 13/12; A43B 13/14; A43B 13/141; A43B 13/143; A43B 13/16; A43B 13/18; A43B 13/181; A43B 13/187; A43B 13/189; A43B 13/20; A43B 13/22; A43B 13/223; A43B 13/24; A43B 13/28; A43B 13/30; A43B 13/32; A43B 13/34; A43B 13/36
See application file for complete search history.

- (56) **References Cited**
U.S. PATENT DOCUMENTS

D287,784 S * 1/1987 Tong D2/955
D290,660 S * 7/1987 Selbiger D2/956

D293,732 S * 1/1988 Kelley D2/954
D340,130 S * 10/1993 Blissett D2/959
D427,757 S * 7/2000 Ruth D2/951
D500,401 S * 1/2005 Matis D2/960
D550,431 S * 9/2007 Schoenborn D2/960
D655,902 S * 3/2012 Debiase D2/951
D656,304 S * 3/2012 Debiase D2/951
D662,292 S * 6/2012 Meynard D2/954
D717,033 S * 11/2014 Law D2/951
D724,296 S * 3/2015 Law D2/954
D734,930 S * 7/2015 Bikowski D2/951
D811,705 S * 3/2018 Hughes D2/951
D849,382 S * 5/2019 Jenkins D2/947
D850,083 S * 6/2019 Jenkins D2/947
D855,959 S * 8/2019 Jenkins D2/947
D862,060 S * 10/2019 Weeks D2/951
D877,467 S * 3/2020 Taylor D2/947

(Continued)

Primary Examiner — Jonathan J Han

(74) *Attorney, Agent, or Firm* — Quarles & Brady LLP

(57) **CLAIM**

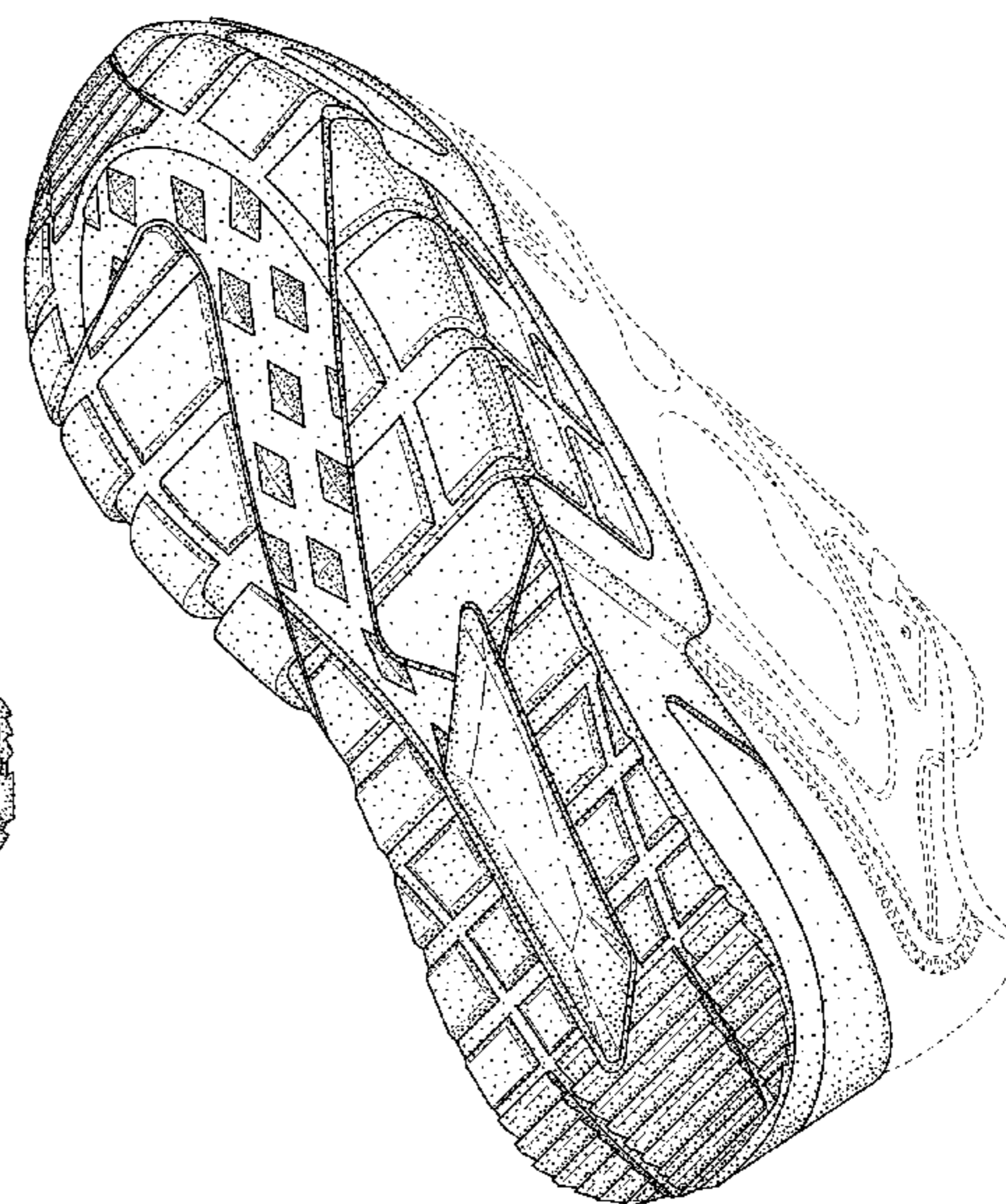
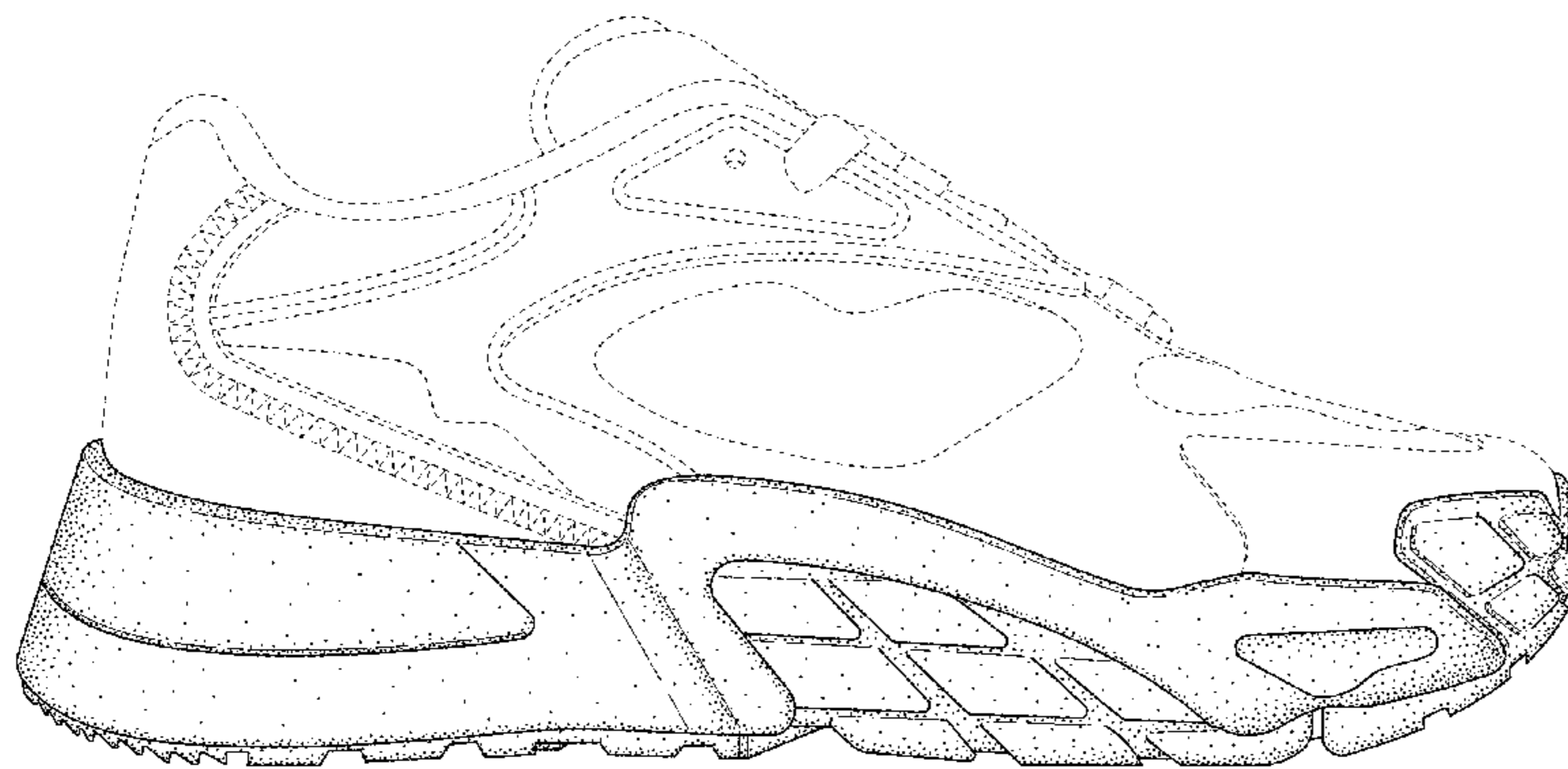
The ornamental design for a shoe, as shown and described.

DESCRIPTION

FIG. 1 is a top, left, front perspective view of an ornamental design for a shoe;
FIG. 2 is a front elevational view of the shoe of FIG. 1;
FIG. 3 is a rear elevational view of the shoe of FIG. 1;
FIG. 4 is a left side elevational view of the shoe of FIG. 1;
FIG. 5 is a right side elevational view of the shoe of FIG. 1;
FIG. 6 is a top plan view of the shoe of FIG. 1;
FIG. 7 is a bottom plan view of the shoe of FIG. 1; and,
FIG. 8 is a bottom, left, and rear perspective view of the shoe of FIG. 1.

The dash-dash-dash broken lines are included for the purpose of illustrating portions of the shoe that form no part of the claimed design.

1 Claim, 8 Drawing Sheets



(56)

References Cited

U.S. PATENT DOCUMENTS

D882,910	S	*	5/2020	Zeng	D2/903
D885,721	S	*	6/2020	Williams	D2/947
D887,686	S	*	6/2020	Sogorb	D2/947
D889,798	S	*	7/2020	Vella	D2/947
D894,564	S	*	9/2020	López Calí	D2/947
D896,492	S	*	9/2020	Dombrow	D2/947
D898,331	S	*	10/2020	Taylor	D2/908
D905,409	S	*	12/2020	Bloor	D2/947
D907,906	S	*	1/2021	López Calí	D2/947
D912,377	S	*	3/2021	McKenzie	D2/947
D912,383	S	*	3/2021	Jenkins	D2/951
D913,649	S	*	3/2021	Suh	D2/908
D925,876	S	*	7/2021	Bramani	D2/947
D935,158	S	*	11/2021	Cui	D2/947
D935,756	S	*	11/2021	Sartori	D2/947
D938,154	S	*	12/2021	Dobson	D2/947
D945,130	S	*	3/2022	Park	D2/947
D957,097	S	*	7/2022	Park	D2/947
D973,322	S	*	12/2022	Taylor	D2/947

* cited by examiner

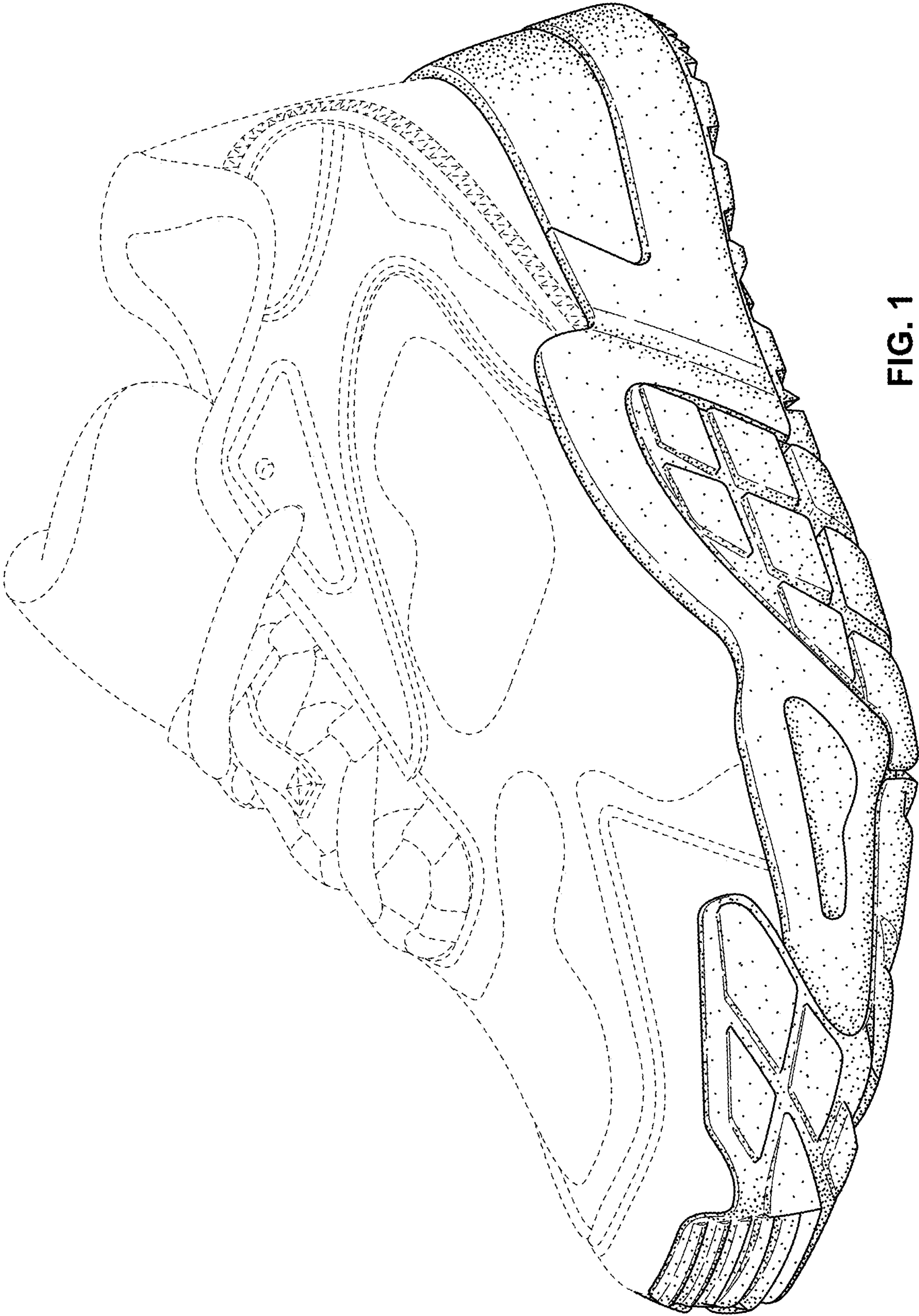


FIG. 1

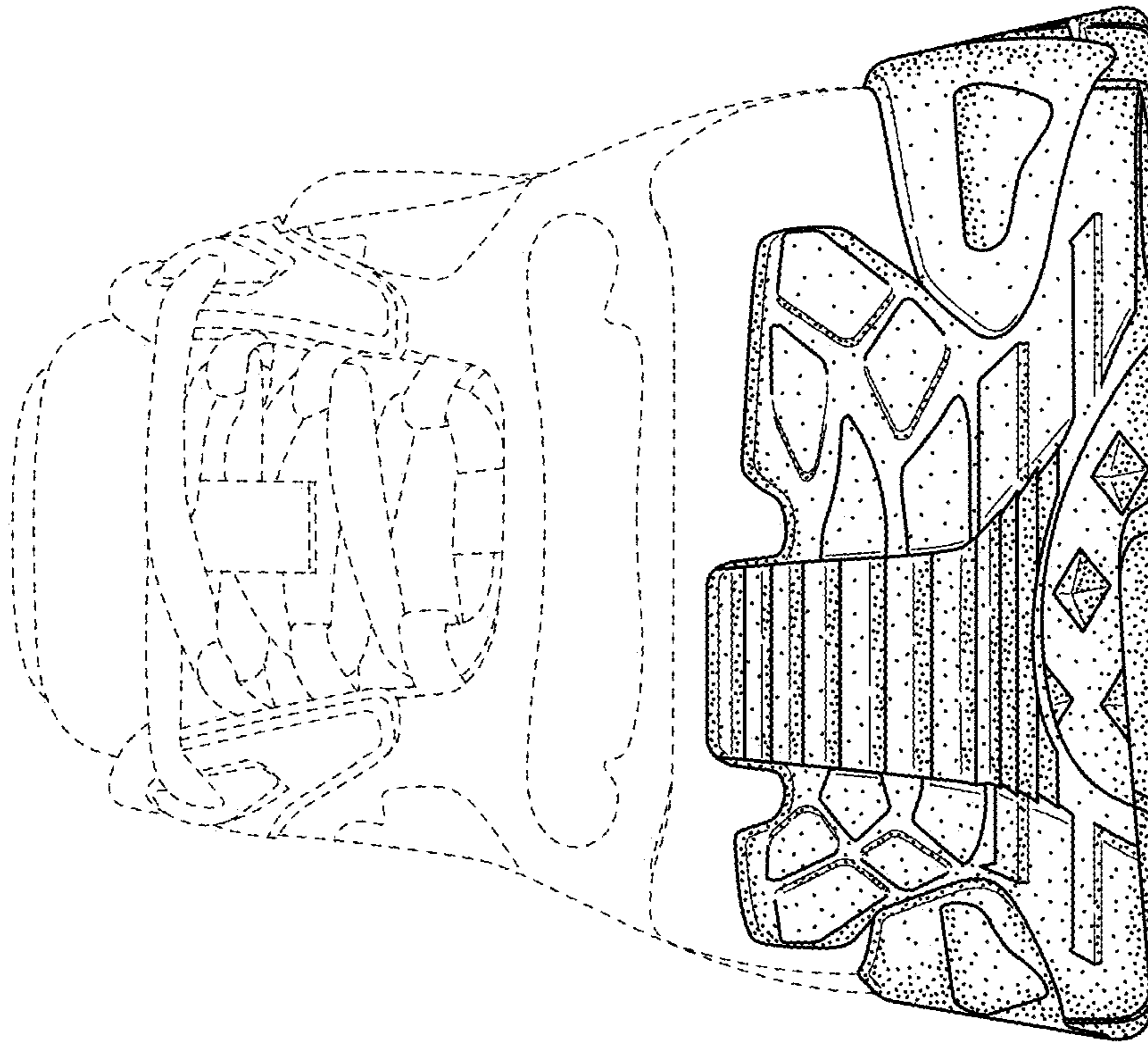


FIG. 2

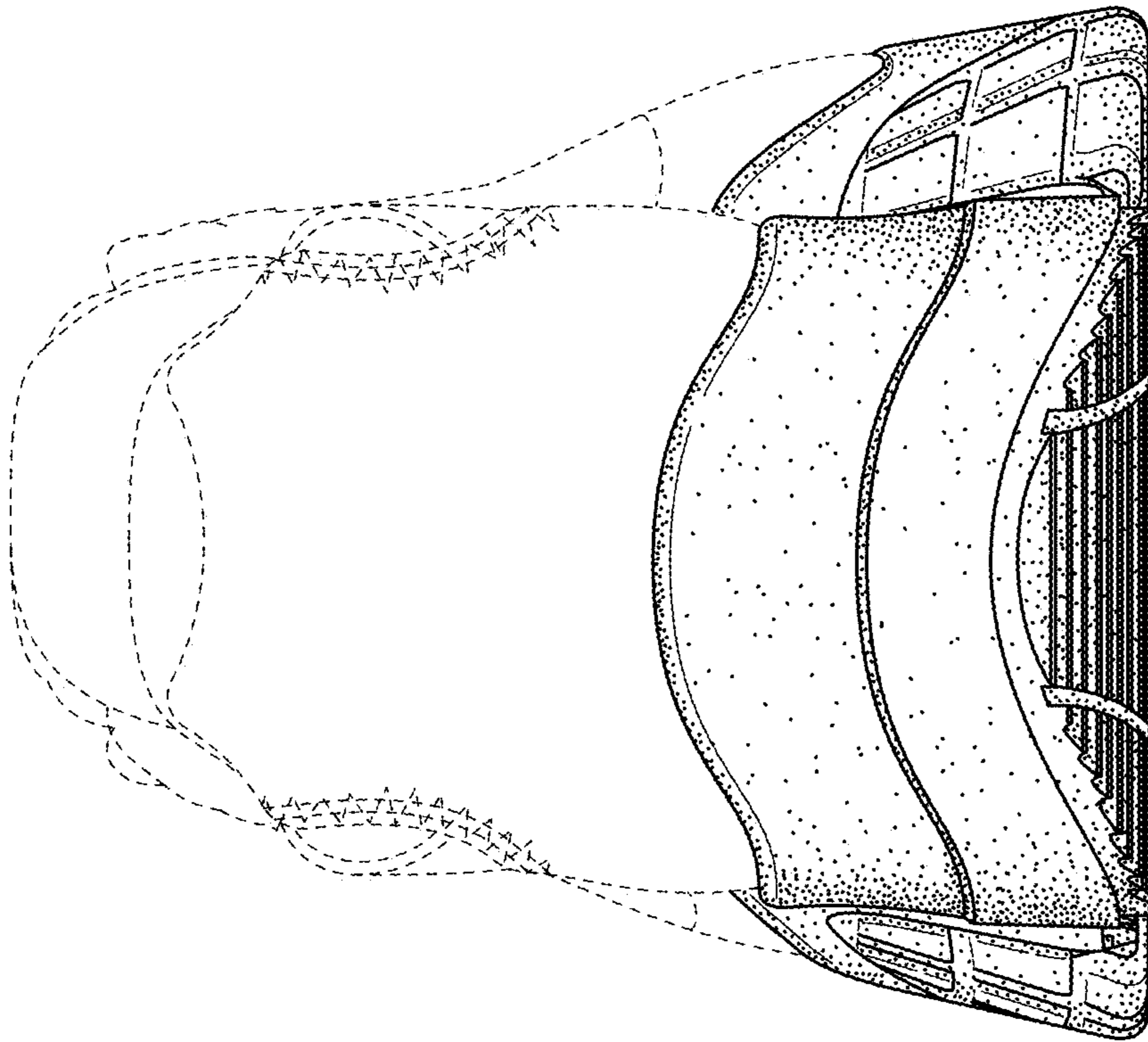


FIG. 3

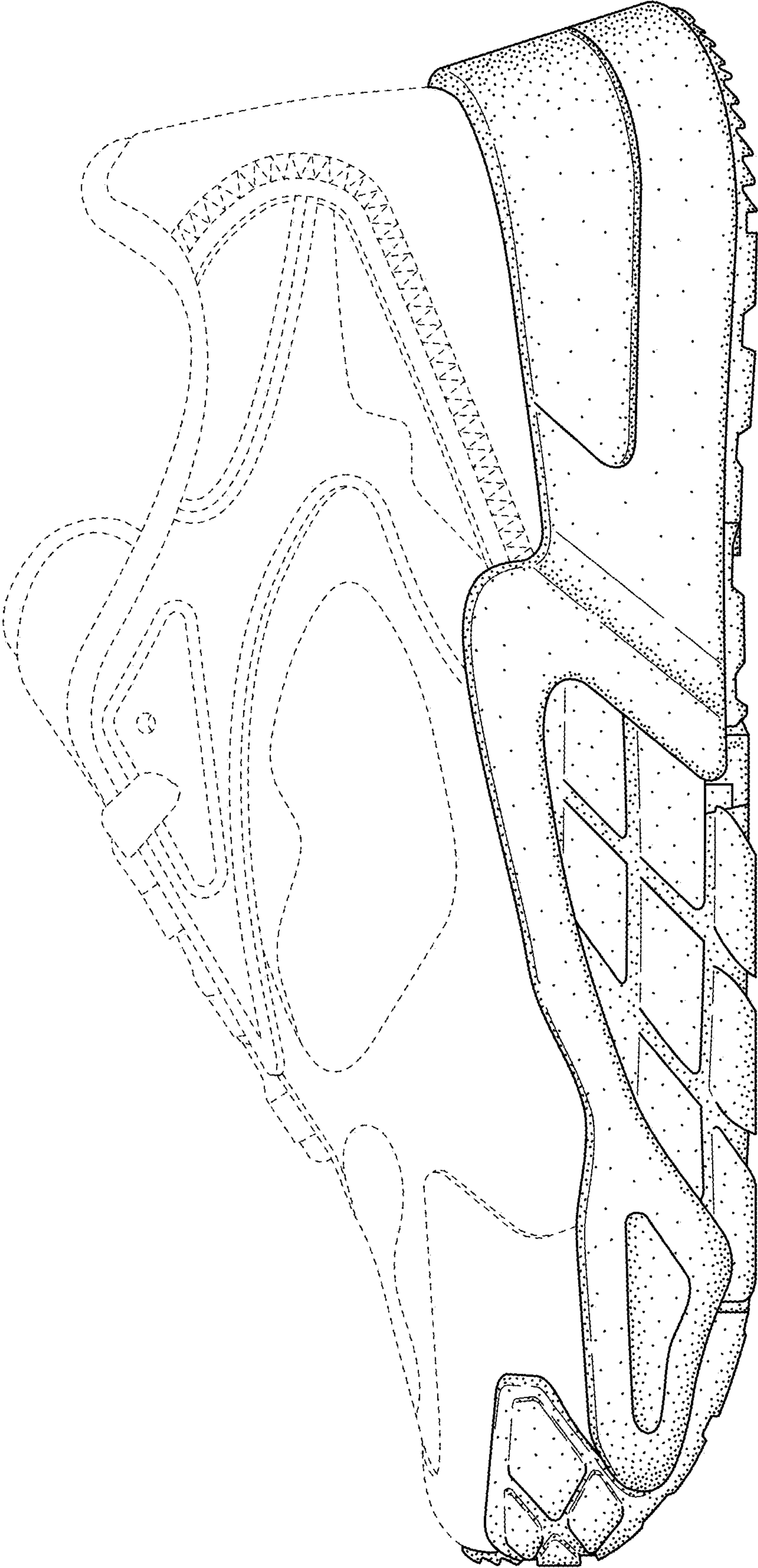


FIG. 4

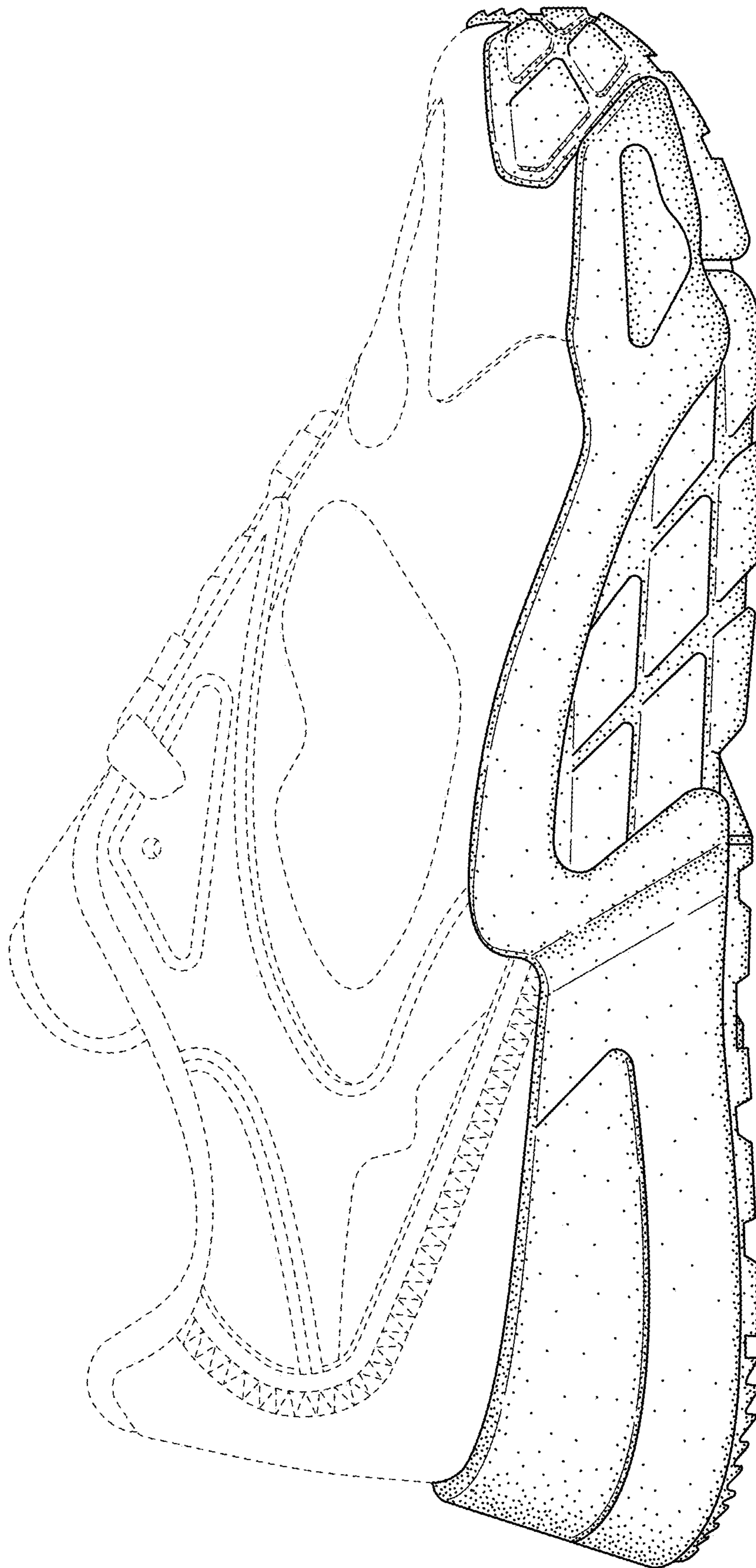


FIG. 5

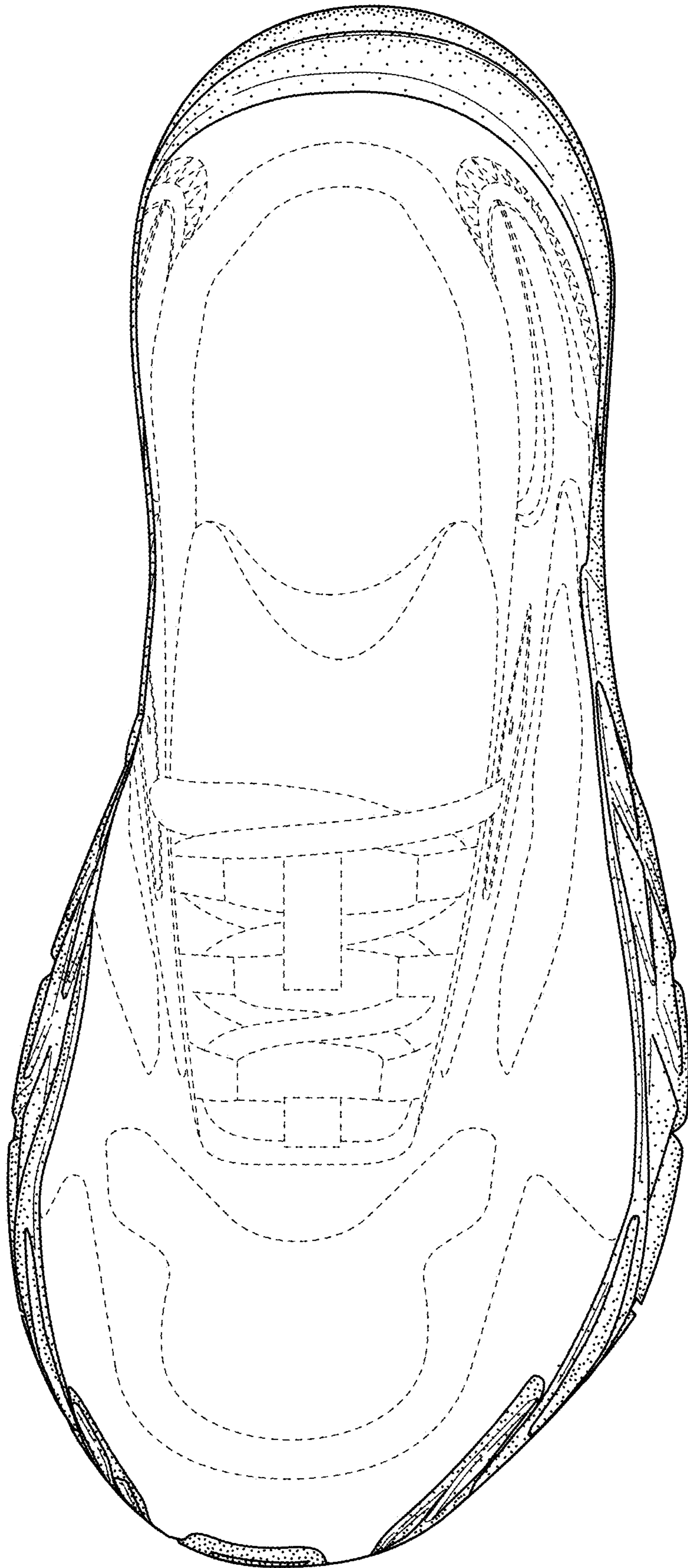


FIG. 6

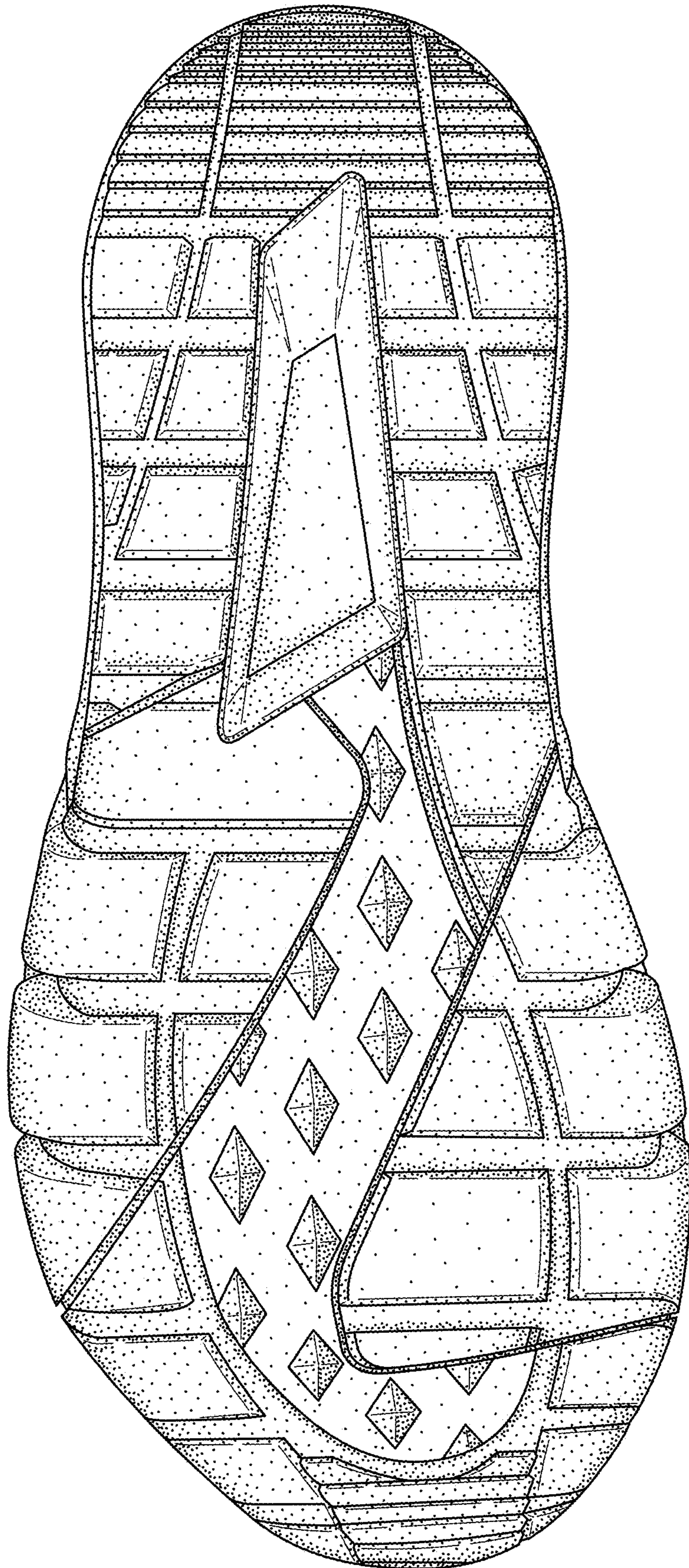


FIG. 7

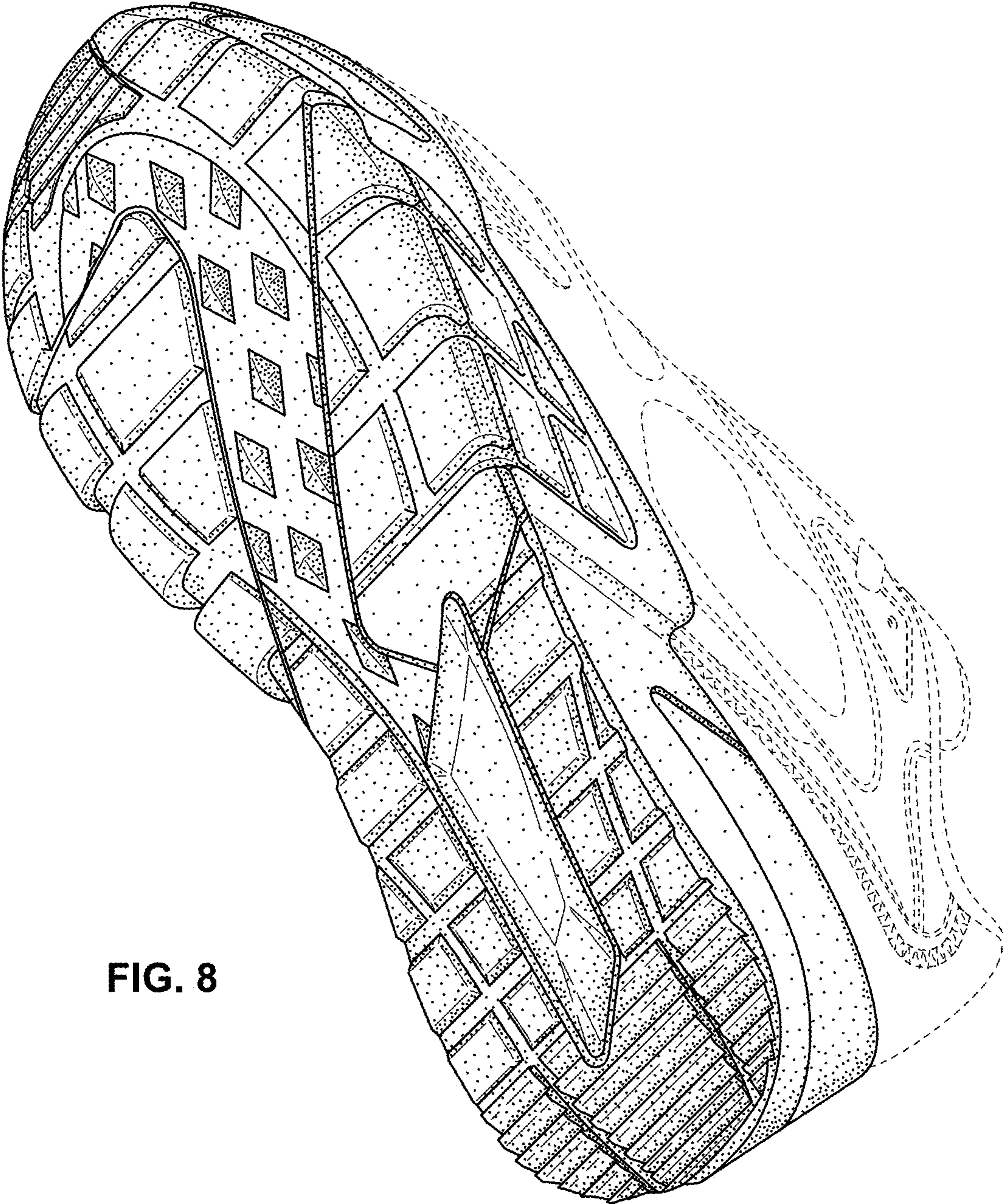


FIG. 8