



US00D987938S

(12) **United States Design Patent**  
**Leach**

(10) **Patent No.:** **US D987,938 S**

(45) **Date of Patent:** **\*\* Jun. 6, 2023**

(54) **JEANS**

(71) Applicant: **Archie Murray Leach**, London (CA)

(72) Inventor: **Archie Murray Leach**, London (CA)

(\*\*) Term: **15 Years**

(21) Appl. No.: **29/779,440**

(22) Filed: **Apr. 19, 2021**

(51) **LOC (14) Cl.** ..... **02-02**

(52) **U.S. Cl.**  
USPC ..... **D2/742**

(58) **Field of Classification Search**  
USPC ..... D2/731, 732, 738, 739, 742, 746, 748  
CPC .... A41D 13/065; A41D 1/06; A41D 13/0543;  
A41D 13/0562; A41D 13/0537; A41D  
13/0525; A41D 13/1254; A41D 1/065;  
A41D 1/062  
See application file for complete search history.

(56) **References Cited**

**U.S. PATENT DOCUMENTS**

D92,392 S *	6/1934	Dwyer	D2/738
D262,325 S *	12/1981	Miller	D2/742
D269,135 S *	5/1983	Langmyr	D2/742
D269,560 S *	7/1983	Sheppard	D2/742
D280,251 S *	8/1985	Forbes	D2/742
D281,828 S *	12/1985	Callaghan	D2/742
D282,212 S *	1/1986	Langmyr	D2/742
D293,617 S *	1/1988	Barrett	D2/742
D381,789 S *	8/1997	Katz	D2/741
D425,687 S *	5/2000	Gonzalez	D2/742
D443,973 S *	6/2001	Calio	D2/742
D469,946 S *	2/2003	Hansen	D2/742
D528,266 S *	9/2006	Langmyr	D2/742
D586,538 S *	2/2009	Wildbore	D2/742
D613,927 S *	4/2010	Chionna	D2/742
D614,378 S *	4/2010	Viola	D2/742
D666,788 S *	9/2012	Hines	D2/742

D666,789 S *	9/2012	Hines	D2/742
D675,809 S *	2/2013	Silva	D2/742
D795,530 S *	8/2017	Musciacchio	D2/731
D796,786 S *	9/2017	Freedman	D2/742
D915,741 S *	4/2021	Gonzalez	D2/853
D954,398 S *	6/2022	Valdez	D2/742
2015/0135407 A1 *	5/2015	Krishnan	A41D 1/06 2/234
2015/0157063 A1 *	6/2015	Yao	A41F 9/00 2/466
2016/0219945 A1 *	8/2016	Chen	A41D 1/065
2018/0289091 A1 *	10/2018	Li	A41F 9/002

**OTHER PUBLICATIONS**

Good Legs Mega Compression Jeans, posting date not available [online]. [retrieved Dec. 5, 2022]. Retrieved from internet, <https://www.goodamerican.com/products/good-legs-indigo143> (Year: 2022).\*

(Continued)

*Primary Examiner* — Jonathan J Han  
*Assistant Examiner* — Caitlin Mackenzie Williams  
(74) *Attorney, Agent, or Firm* — Brunet & Co. Ltd.;  
Robert Brunet; Hans Koenig

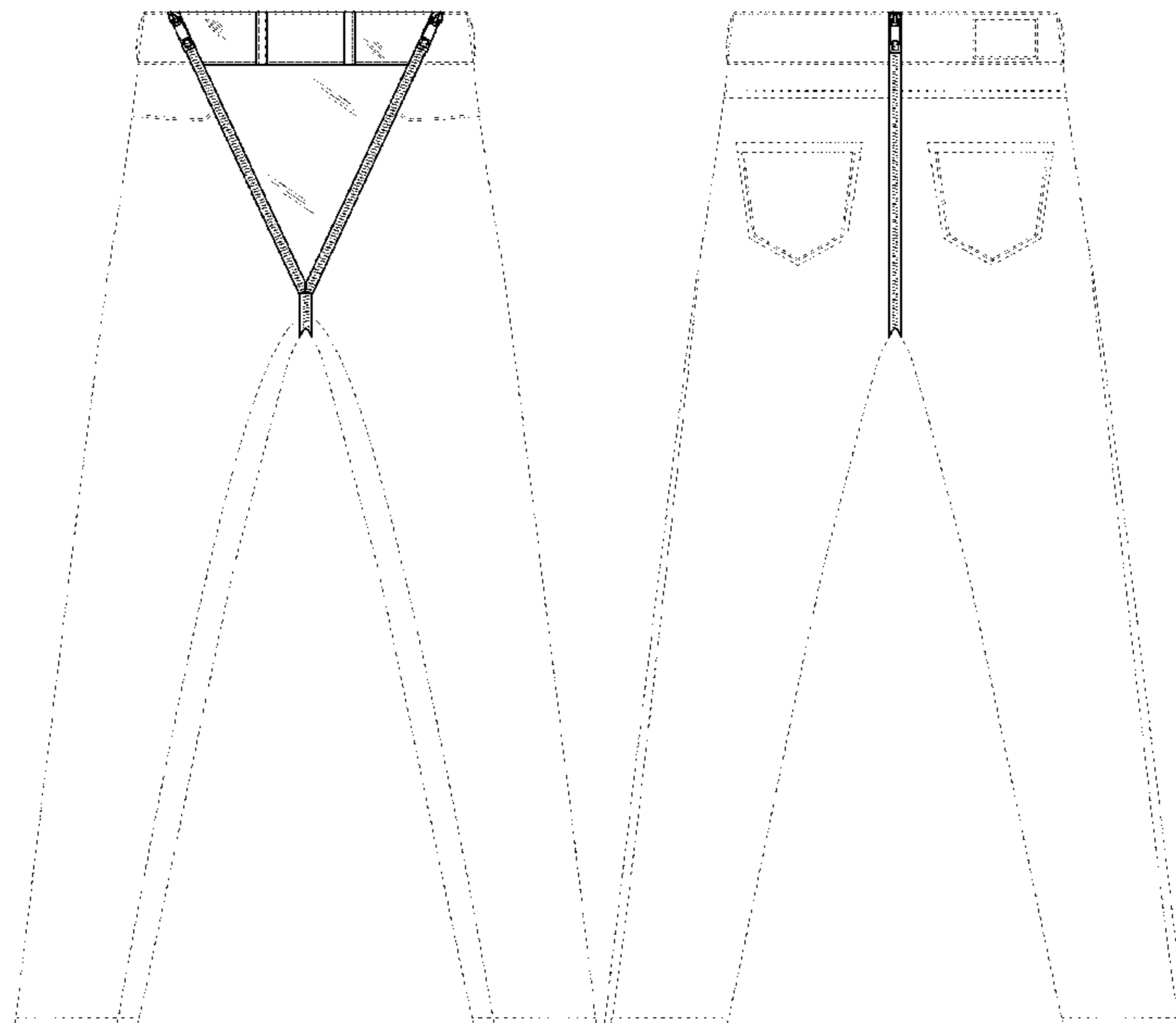
(57) **CLAIM**

I claim the ornamental design for jeans, as shown and described.

**DESCRIPTION**

FIG. 1 is a front view of jeans showing my new design; FIG. 2 is a back view thereof; FIG. 3 is a right side view thereof; FIG. 4 is a left side view thereof; FIG. 5 is a top view thereof; and, FIG. 6 is a bottom view thereof. The broken lines depict portions of the jeans that form no part of the claimed design.

**1 Claim, 6 Drawing Sheets**



(56)

**References Cited**

OTHER PUBLICATIONS

Contour Seam Detail Skinny Jeans, posting date not available [online], [retrieved Dec. 5, 2022]. Retrieved from internet, <https://us.manierevoir.com/collections/all/products/contour-seam-detail-skinny-jeans-mid-blue> (Year: 2022).\*

Mugler Seam-Detail Skinny Jeans, posting date not available [online], [retrieved Dec. 5, 2022]. Retrieved from internet, <https://www.farfetch.com/shopping/women/mugler-seam-detail-skinny-jeans-item-17916533.aspx> (Year: 2022).\*

Women's Back Zipper Jeans, posted Jan. 21, 2021 [online], [retrieved Dec. 5, 2022]. Retrieved from internet, [https://www.amazon.com/Womens-Washing-Stretchy-Legging-Trousers/dp/B08TMKP6QV/ref=asc\\_df\\_B08TMKP6QV/](https://www.amazon.com/Womens-Washing-Stretchy-Legging-Trousers/dp/B08TMKP6QV/ref=asc_df_B08TMKP6QV/) (Year: 2021).\*

\* cited by examiner

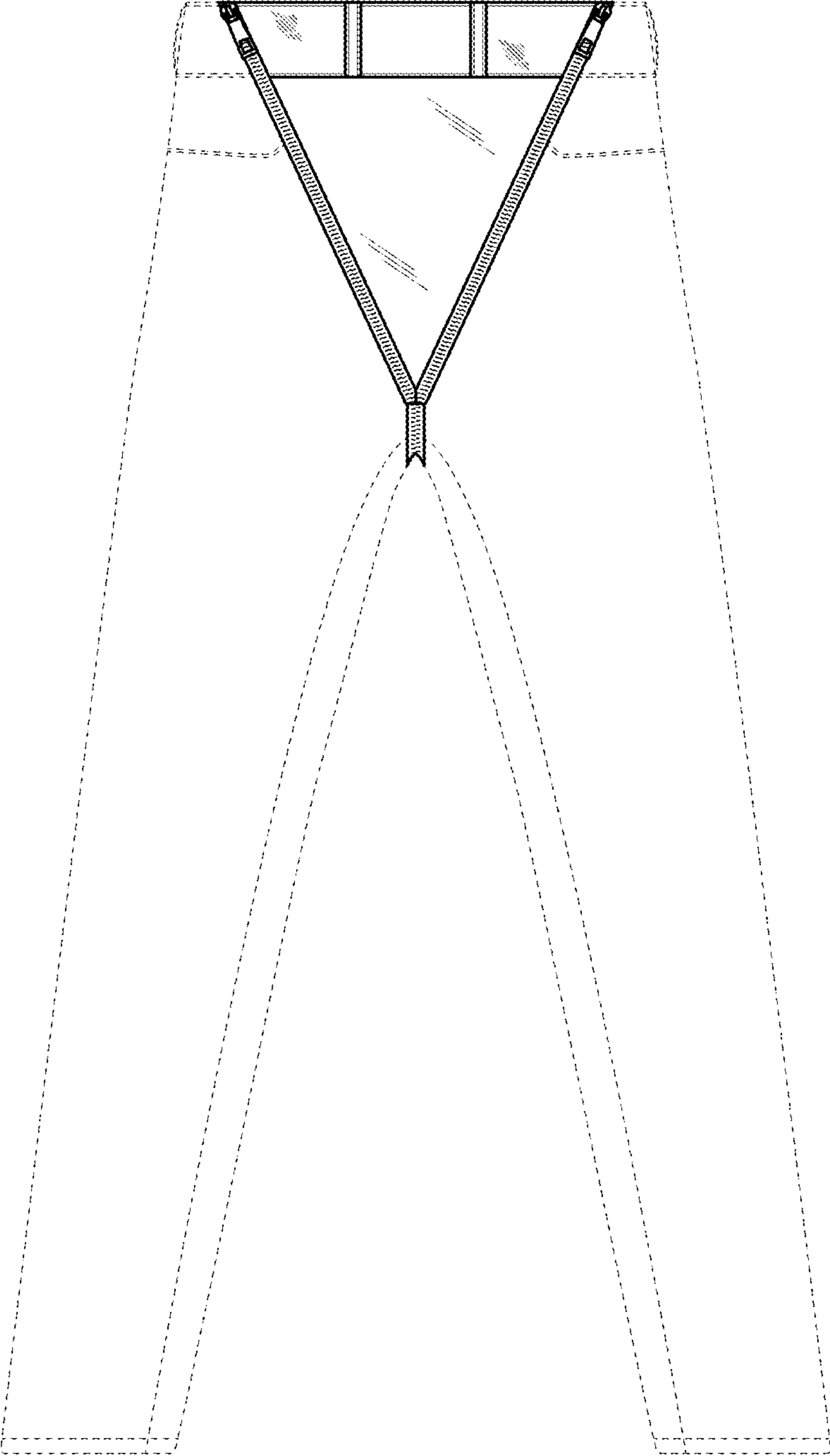


FIG. 1

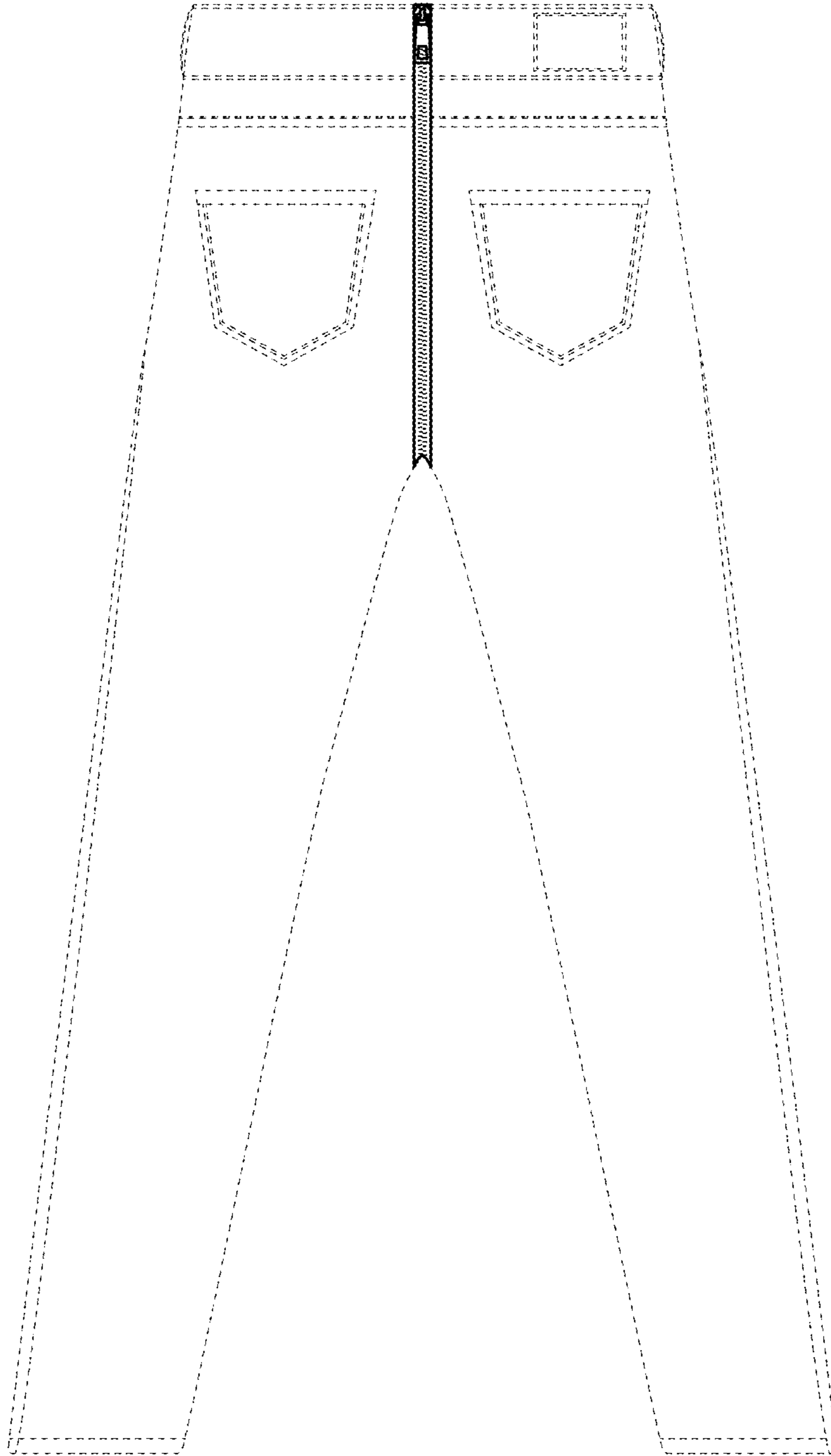


FIG. 2

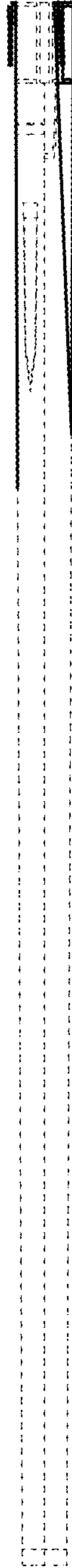


FIG. 3

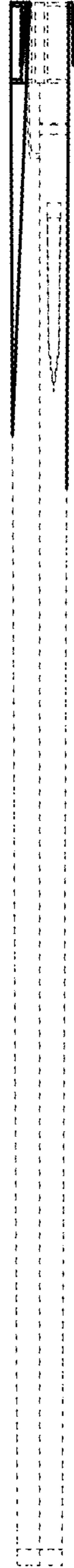


FIG. 4



FIG. 5



FIG. 6