



US00D987932S

(12) **United States Design Patent** (10) **Patent No.:** **US D987,932 S**
Hu (45) **Date of Patent:** **** Jun. 6, 2023**

(54) **LED DRUM STICK**
(71) Applicant: **Junhui Hu**, Zhejiang (CN)
(72) Inventor: **Junhui Hu**, Zhejiang (CN)
(**) Term: **15 Years**
(21) Appl. No.: **29/881,017**
(22) Filed: **Dec. 27, 2022**
(51) **LOC (14) Cl.** **17-04**
(52) **U.S. Cl.**
USPC **D17/22**
(58) **Field of Classification Search**
USPC D17/22, 24, 99; D21/405, 406
CPC G10D 13/00; G10D 13/003; G10D 13/02;
G10D 13/06; G10D 17/00; G10G 7/00;
G10H 3/146; G10H 3/24
See application file for complete search history.

D656,179 S * 3/2012 Massimo D17/22
D720,391 S 12/2014 Cacciolo, Jr.
D720,801 S 1/2015 Neal
D724,137 S 3/2015 Cacciolo, Jr.
8,987,569 B2 * 3/2015 Huber G10D 13/12
84/422.4
D775,687 S 1/2017 Rice
D802,652 S 11/2017 Cooper
D836,709 S * 12/2018 Cacciolo, Jr. G10D 13/12
D17/22
D881,983 S 4/2020 Johnson

* cited by examiner

Primary Examiner — Katie Jane Stofko
(74) *Attorney, Agent, or Firm* — Rumit Ranjit Kanakia

(57) **CLAIM**

The ornamental design for a LED drum stick, as shown and described.

DESCRIPTION

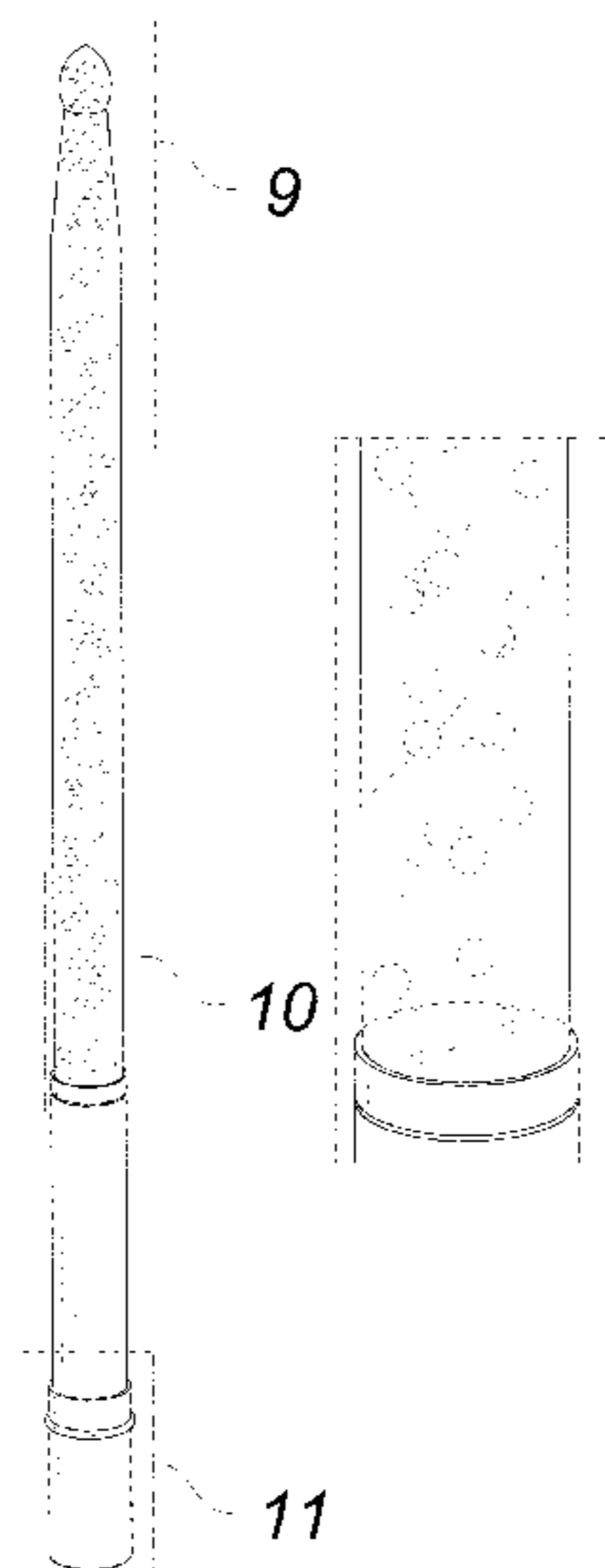
FIG. 1 is a top perspective view of a LED drum stick, showing my new design;
FIG. 2 is bottom perspective view thereof;
FIG. 3 is a front elevational view thereof;
FIG. 4 is a rear elevational view thereof;
FIG. 5 is a left side view thereof;
FIG. 6 is a right side view thereof;
FIG. 7 is a enlarged top plan view thereof;
FIG. 8 is a enlarged bottom plan view thereof;
FIG. 9 is a partial enlarged view of FIG. 1;
FIG. 10 is a partial enlarged view of FIG. 1;
FIG. 11 is a partial enlarged view of FIG. 1;
FIG. 12 is a partial enlarged view of FIG. 2;
FIG. 13 is a partial enlarged view of FIG. 2; and,
FIG. 14 is a partial enlarged view of FIG. 2.
The broken lines in the figures are for the purposes of illustrating portions of the LED drum stick, which form no part of the claimed design.

(56) **References Cited**

U.S. PATENT DOCUMENTS

D152,877 S * 3/1949 Geldard 84/422.4
D220,542 S * 4/1971 Russel D17/22
3,608,419 A * 9/1971 Russell G10D 13/12
84/422.4
D271,401 S * 11/1983 Hardy 84/422.4
4,476,768 A * 10/1984 Willis G10D 13/12
984/150
5,341,716 A * 8/1994 Donohoe G10D 13/12
84/422.4
5,447,088 A * 9/1995 Mester G10D 13/12
84/422.4
5,696,339 A * 12/1997 Brennan G10D 13/12
84/422.4
D393,276 S 4/1998 Alvarado
D436,616 S 1/2001 Kaiser
D449,849 S 10/2001 Zbrzezny
6,326,535 B1 * 12/2001 Pokallus G10D 13/12
84/422.4
D556,820 S 12/2007 Parikh
7,595,442 B2 * 9/2009 Grover G10D 13/12
84/422.4

1 Claim, 7 Drawing Sheets



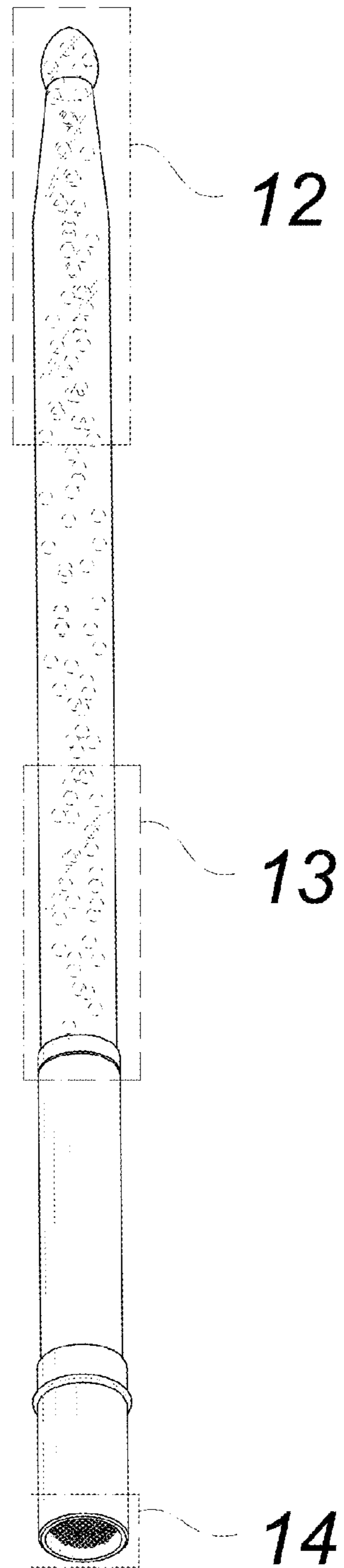
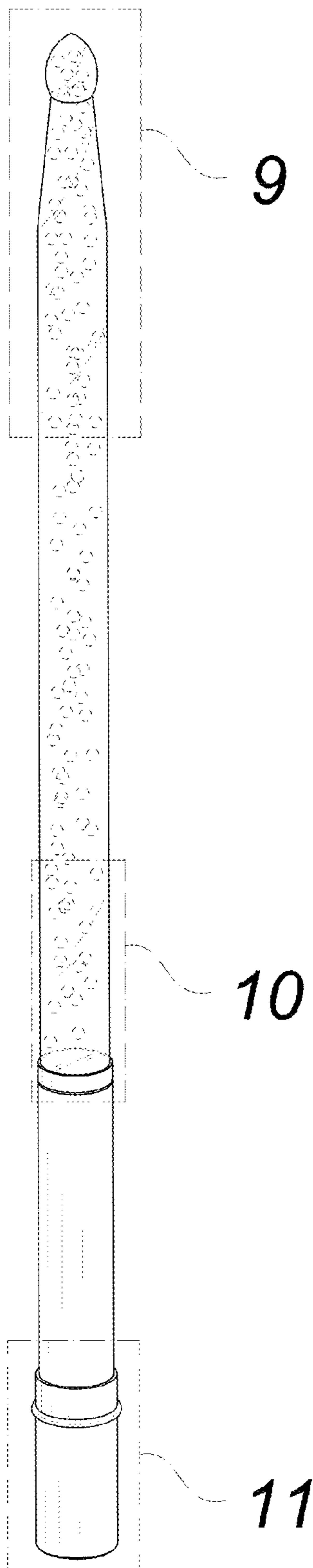


FIG. 1

FIG. 2

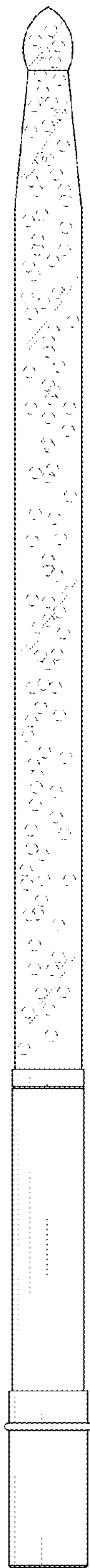


FIG. 3

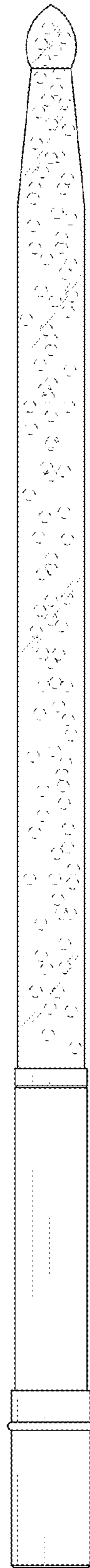


FIG. 4

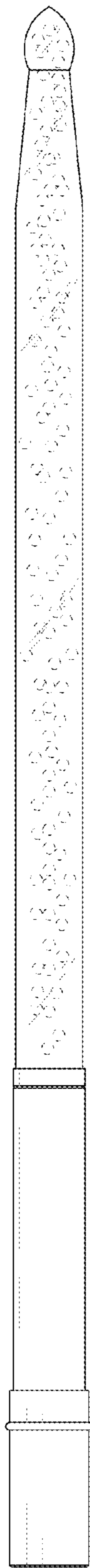


FIG. 5

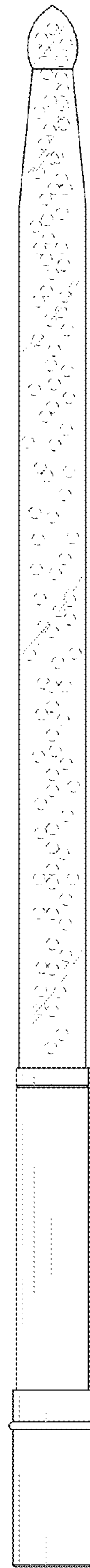


FIG. 6

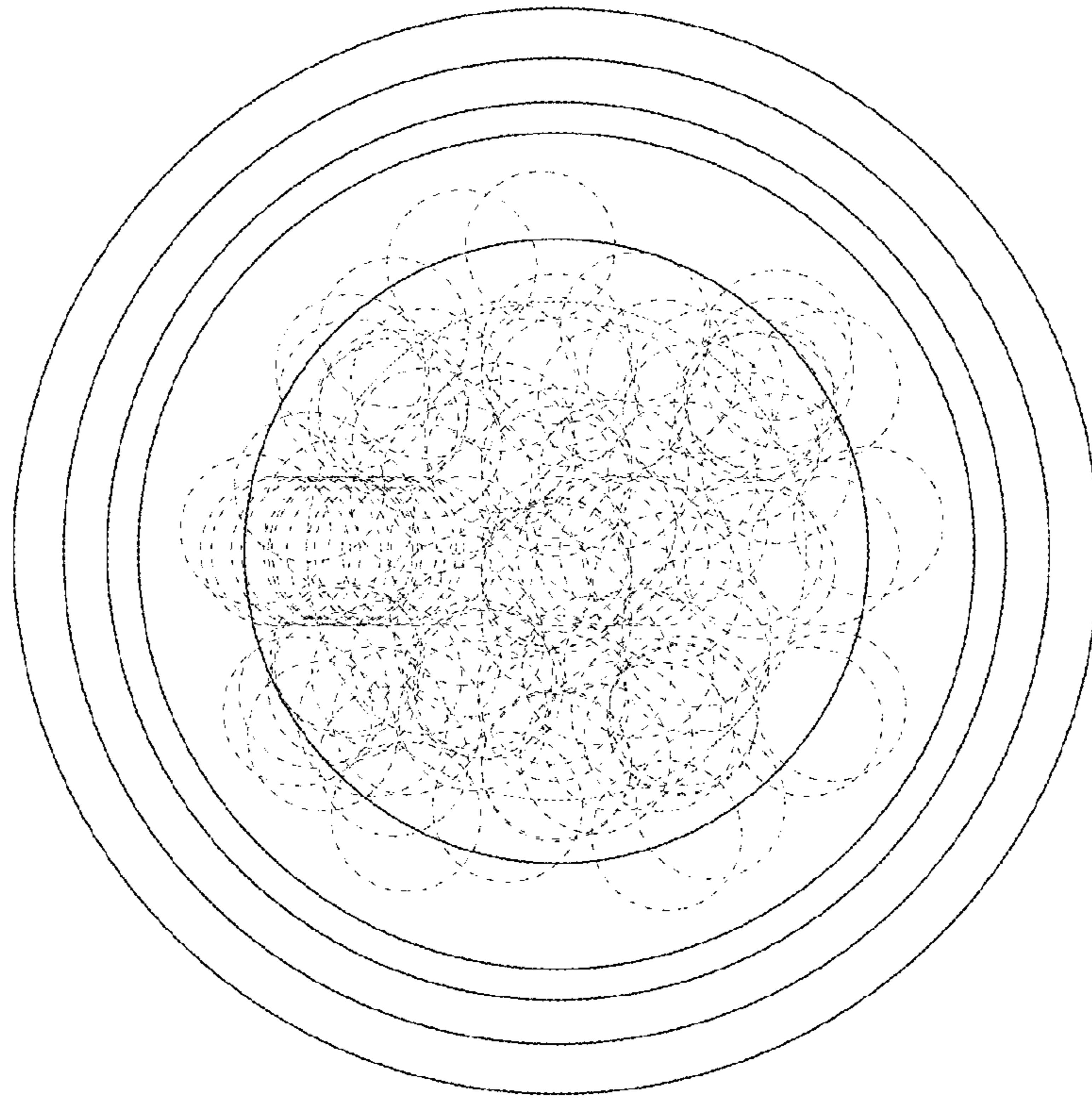


FIG. 7

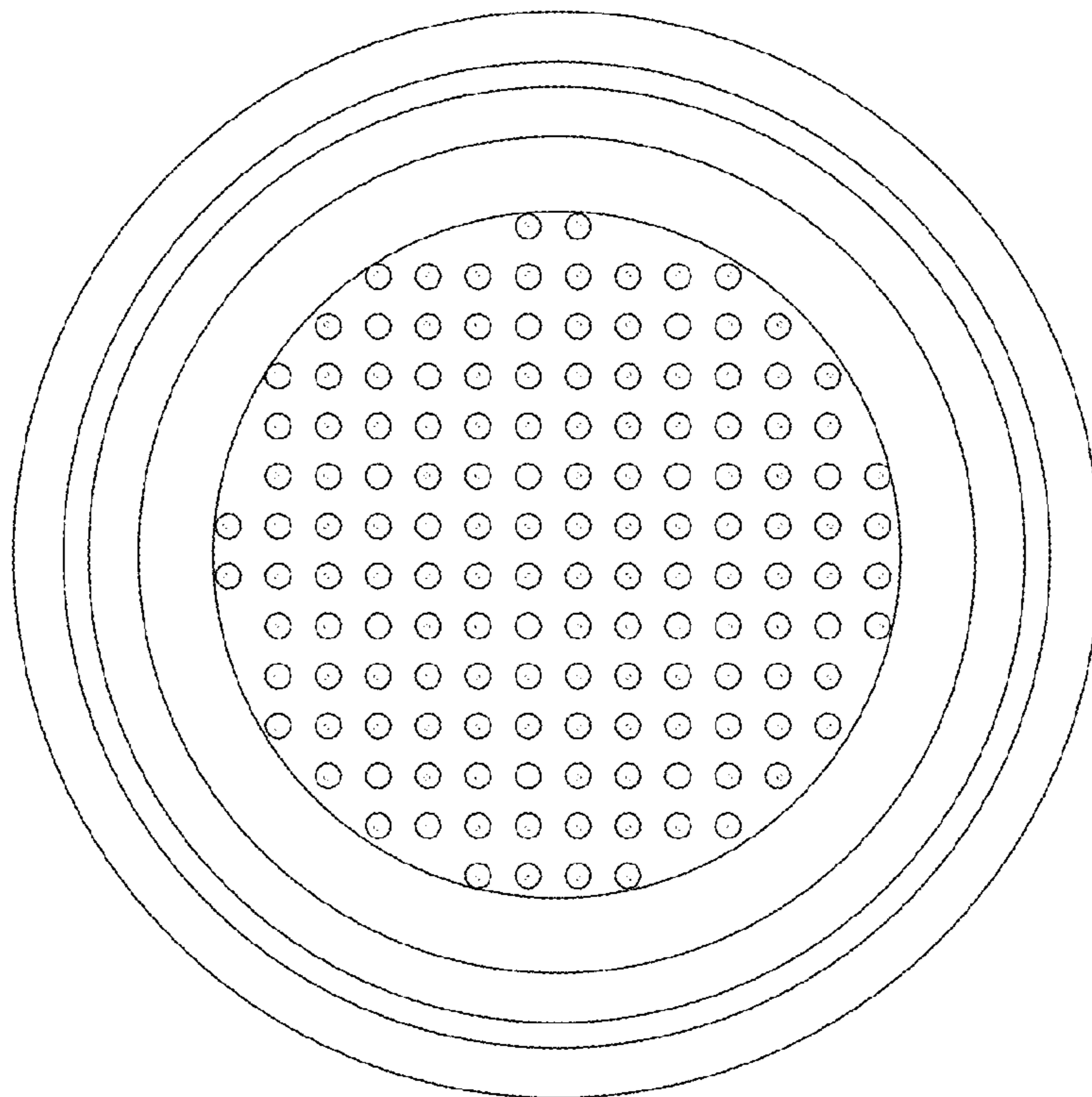


FIG. 8

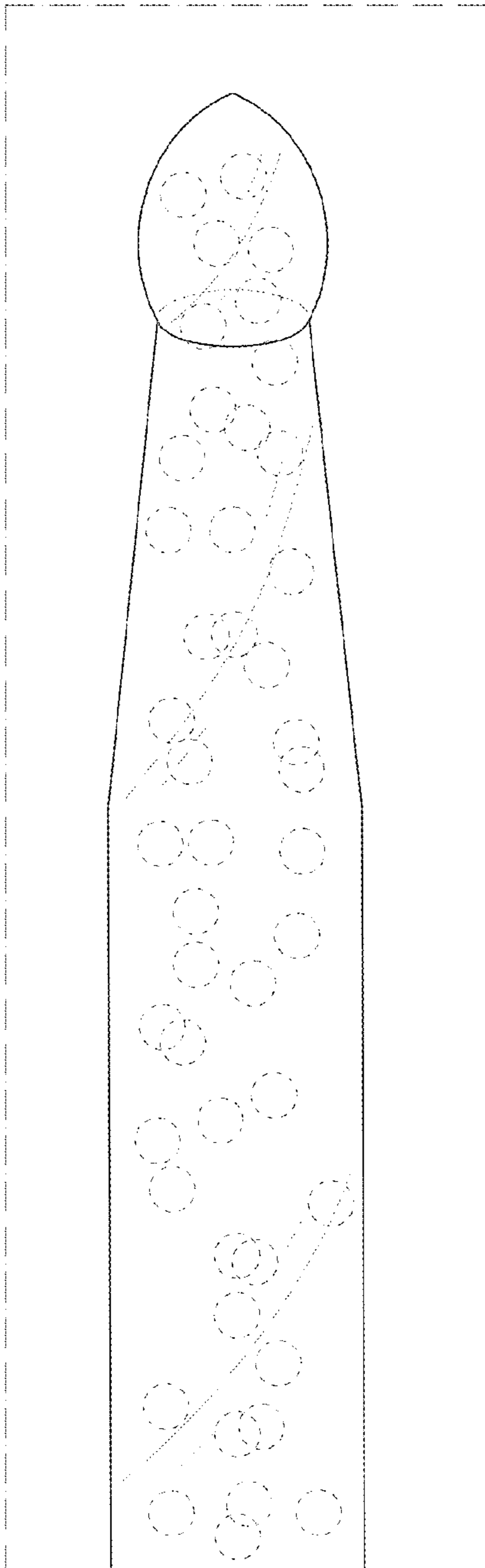


FIG. 9

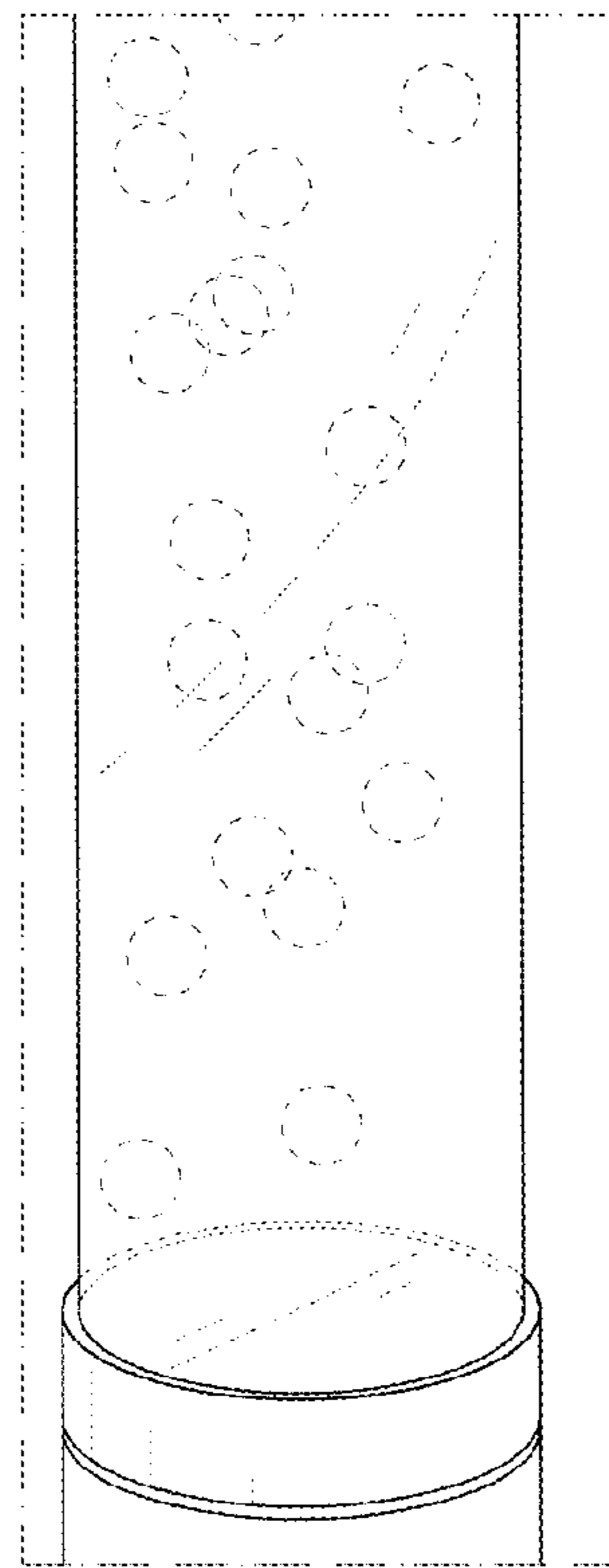


FIG. 10

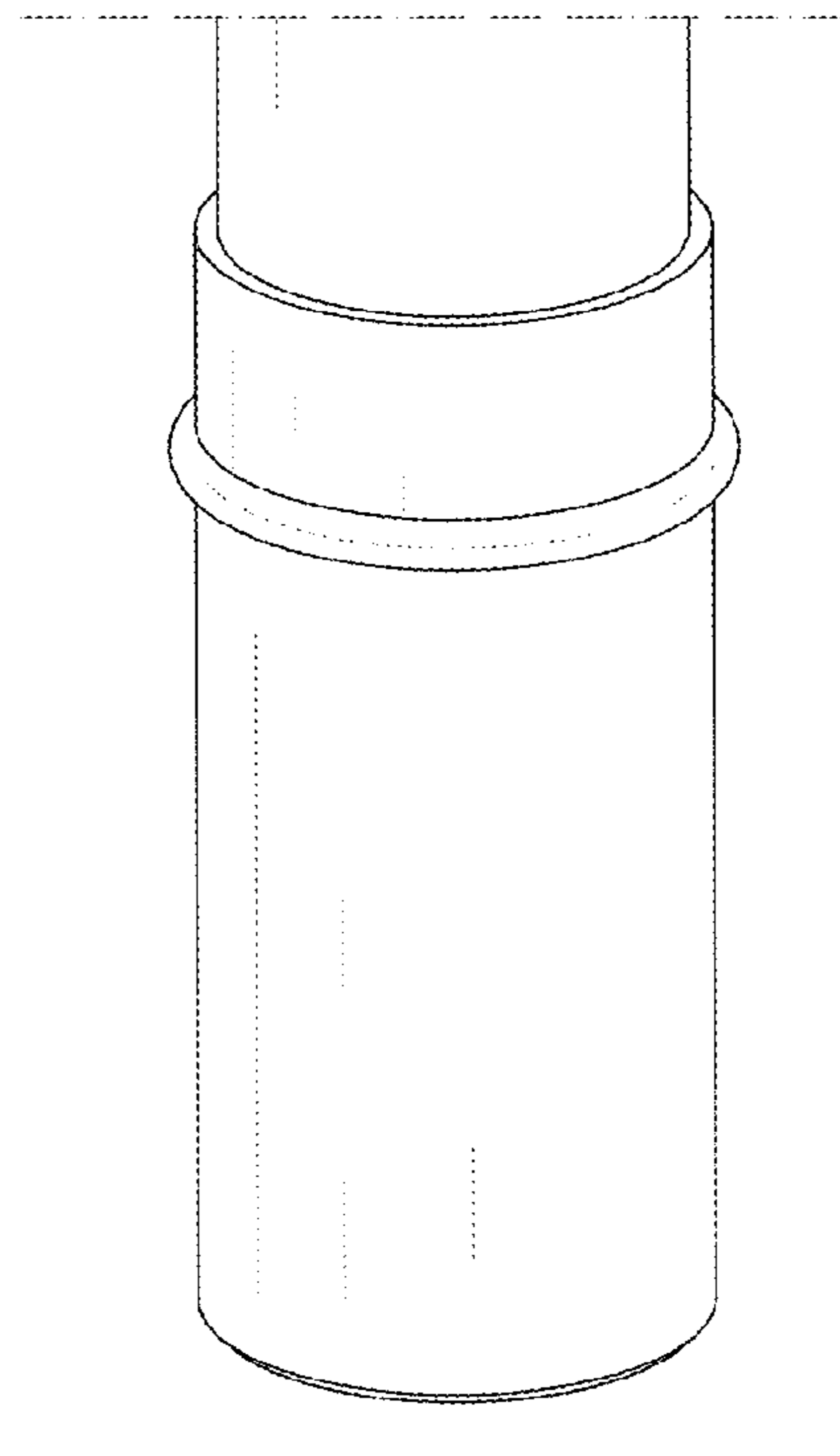


FIG. 11

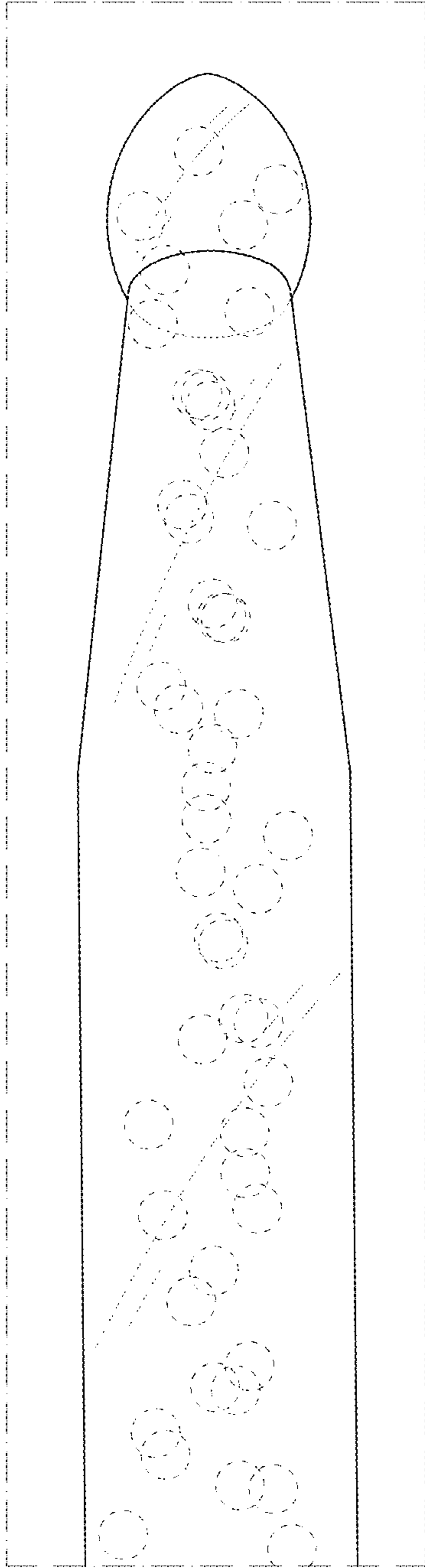


FIG. 12

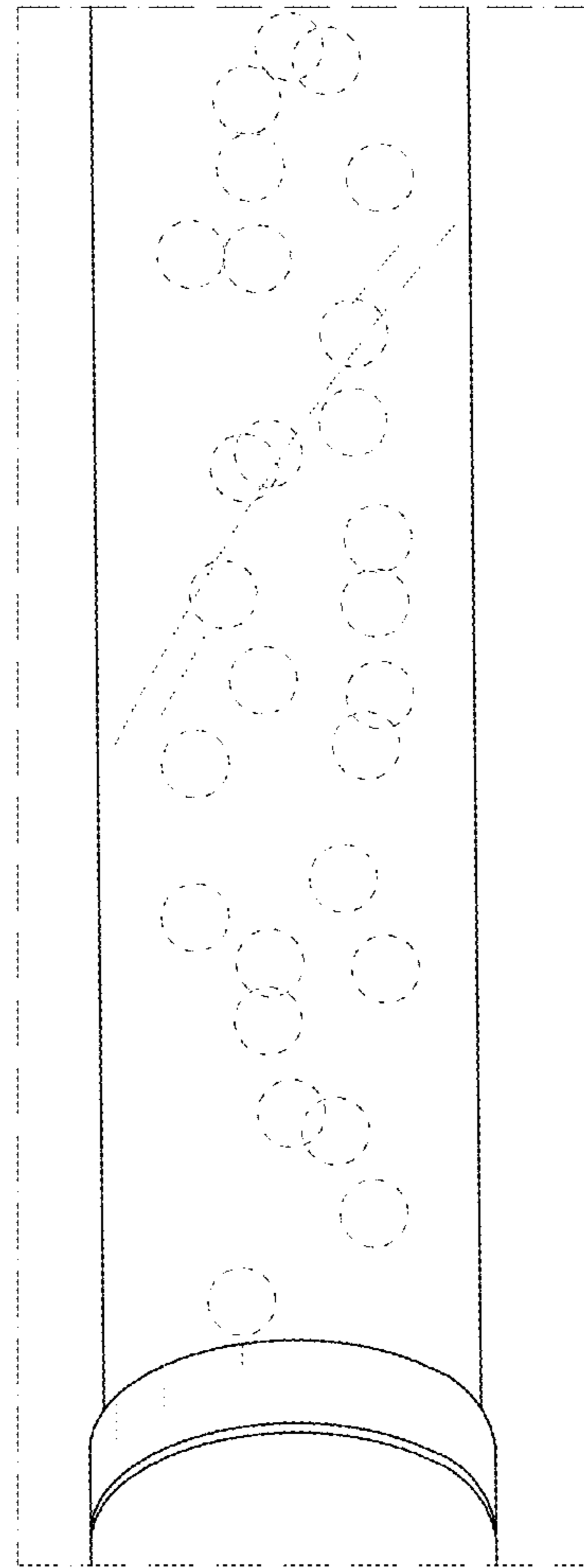


FIG. 13

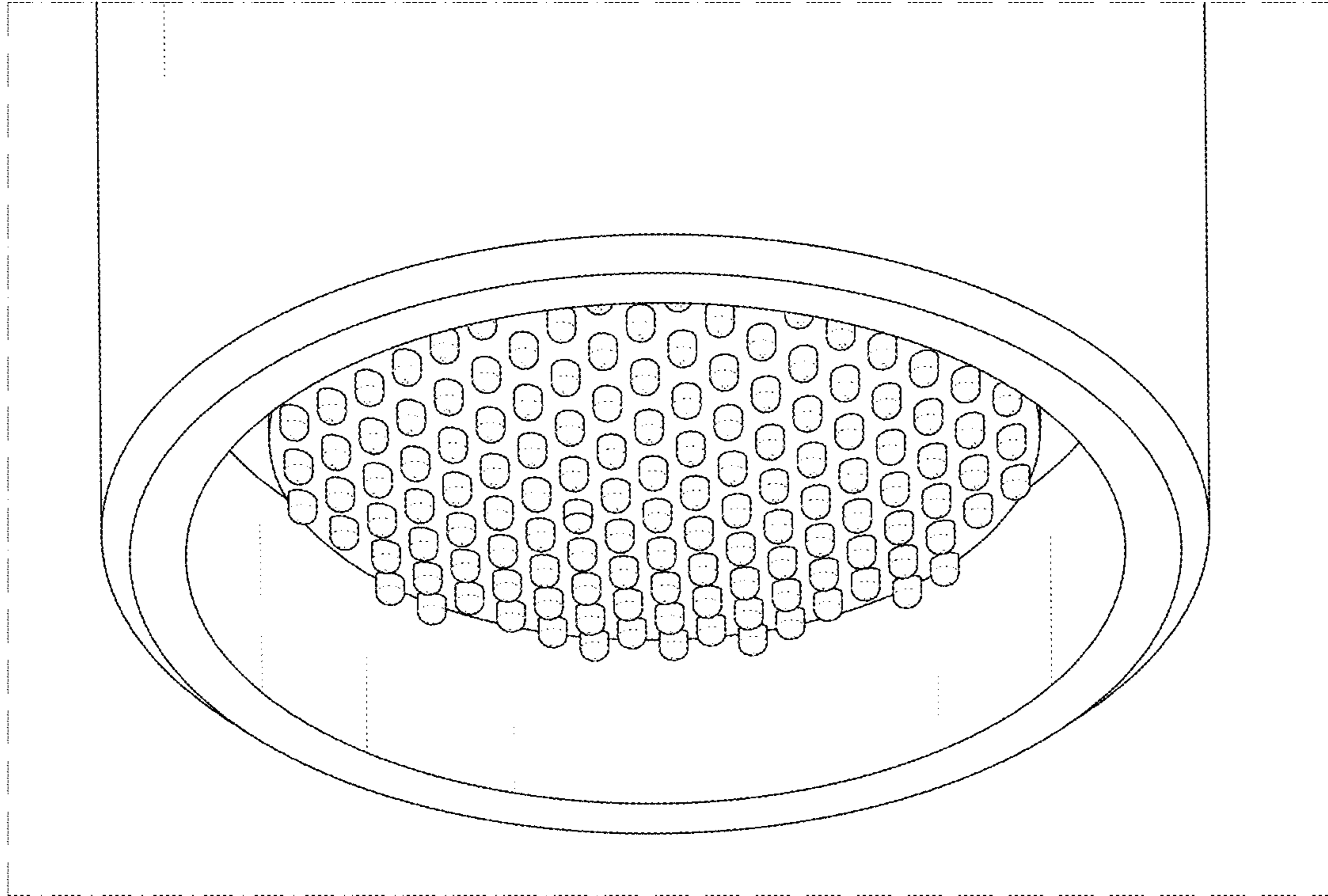


FIG. 14