



US00D987927S

(12) **United States Design Patent** (10) **Patent No.:** **US D987,927 S**
Gu (45) **Date of Patent:** **** May 30, 2023**

(54) **HOT TUB SCUM ABSORBER**
(71) Applicant: **Feifan Gu**, Jiangsu (CN)
(72) Inventor: **Feifan Gu**, Jiangsu (CN)
(*) Notice: Patent file contains an affidavit/declaration under 37 CFR 1.130(b).
(**) Term: **15 Years**
(21) Appl. No.: **29/858,794**
(22) Filed: **Nov. 3, 2022**
(51) **LOC (14) Cl.** **07-05**
(52) **U.S. Cl.**
USPC **D32/40**
(58) **Field of Classification Search**
USPC D3/201, 272-274; D4/127, 130, 133, D4/199; D32/40-43
CPC A47K 7/02; A47L 13/16; A47L 13/10; B65D 43/02; A47F 7/08
See application file for complete search history.

D864,509 S * 10/2019 Catania D32/40
D880,094 S * 3/2020 Romer D32/40
D902,504 S * 11/2020 Katopis D30/158
D905,917 S * 12/2020 Kinally D32/29.1
D920,679 S * 6/2021 Qian D4/133
D928,440 S 8/2021 Fultano
D930,307 S * 9/2021 Yu D32/43
D938,520 S * 12/2021 Zhu D20/11
D945,101 S * 3/2022 Konkey D32/43
D960,472 S * 8/2022 McDaniel D32/40
D963,486 S * 9/2022 Tan D9/707
2017/0143102 A1* 5/2017 Silva A45D 42/02

OTHER PUBLICATIONS

Amazon.com ScumRay https://www.amazon.com/ScumRay-Hot-Cleaner-Twin-Pack/dp/B096PG163M/ref=sr_1_1_sspa (Year: 2022).*

* cited by examiner

Primary Examiner — Kevin K Rudzinski
Assistant Examiner — Richard E Yenchesky

(57) **CLAIM**

The ornamental design for a hot tub scum absorber, as shown and described.

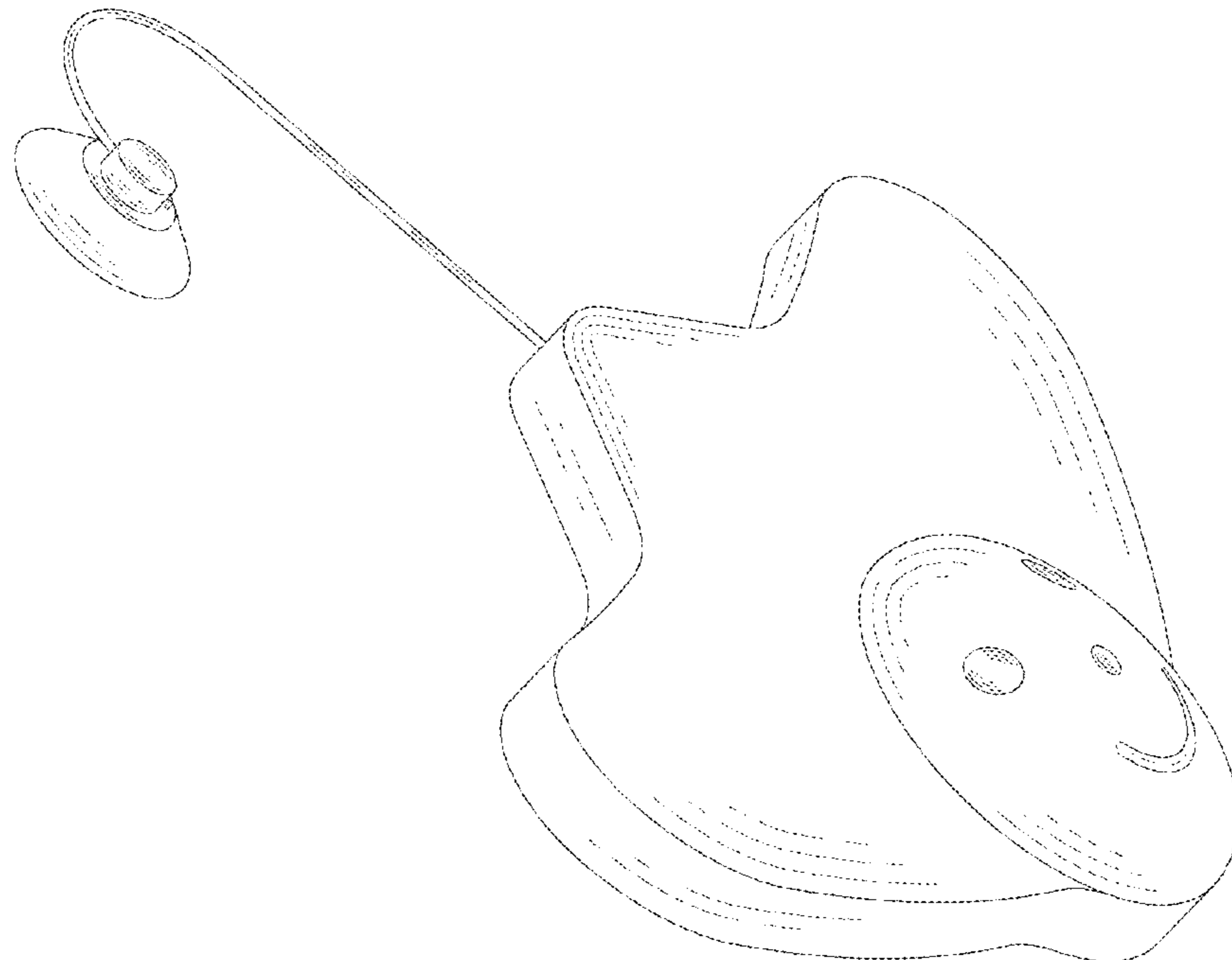
DESCRIPTION

FIG. 1 is a top, front and left side perspective view of a hot tub scum absorber, showing my new design;
FIG. 2 is a top, back and right side perspective view thereof;
FIG. 3 is a front elevational view thereof;
FIG. 4 is a back elevational view thereof;
FIG. 5 is a left side elevational view thereof;
FIG. 6 is a right side elevational view thereof;
FIG. 7 is a top plan view thereof; and,
FIG. 8 is a bottom plan view thereof.

1 Claim, 8 Drawing Sheets

(56) **References Cited**
U.S. PATENT DOCUMENTS

D179,989 S * 4/1957 Vineburg D28/63
2,880,436 A * 4/1959 Hayden A47K 7/02
15/118
D466,662 S * 12/2002 Lorkovic D32/43
D640,026 S * 6/2011 Soegaard D32/43
D703,956 S * 5/2014 Treeby D4/130
D720,013 S * 12/2014 Ishiwata D19/182
D768,947 S 10/2016 Mantelli
D826,497 S * 8/2018 Smith D32/40
D837,472 S * 1/2019 Ring D32/40
D854,005 S * 7/2019 Hayes A45F 5/10
D14/251



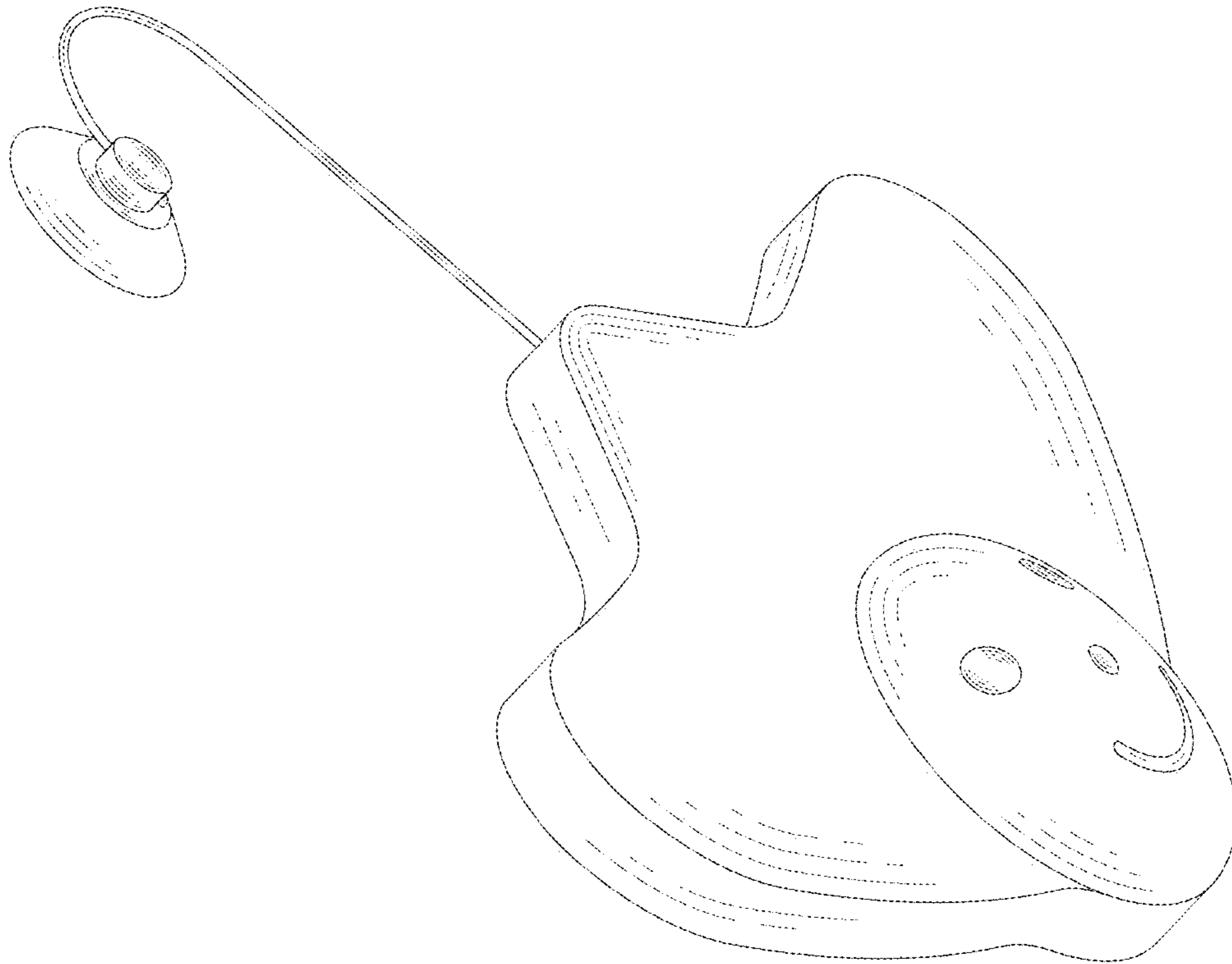


FIG. 1

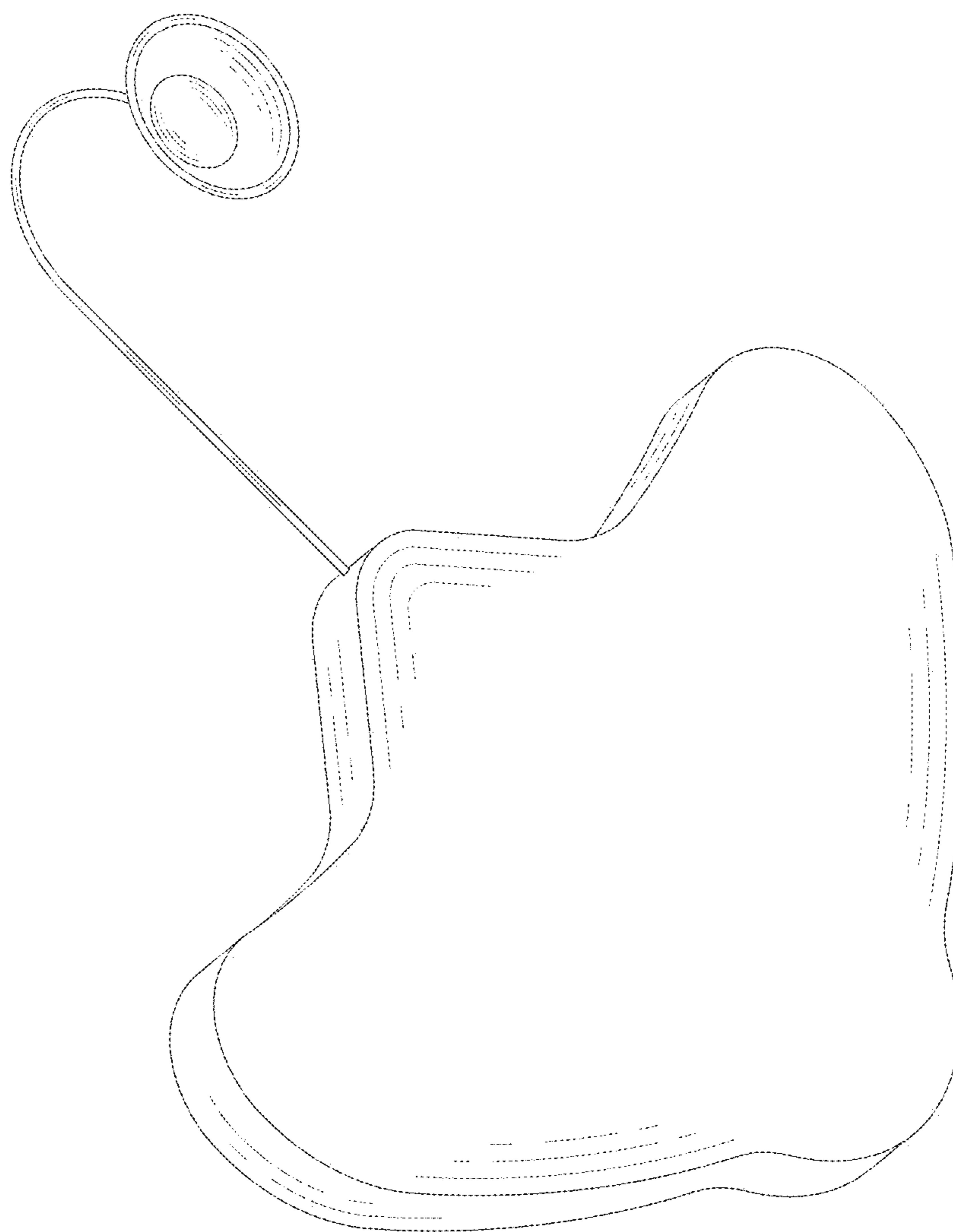


FIG. 2

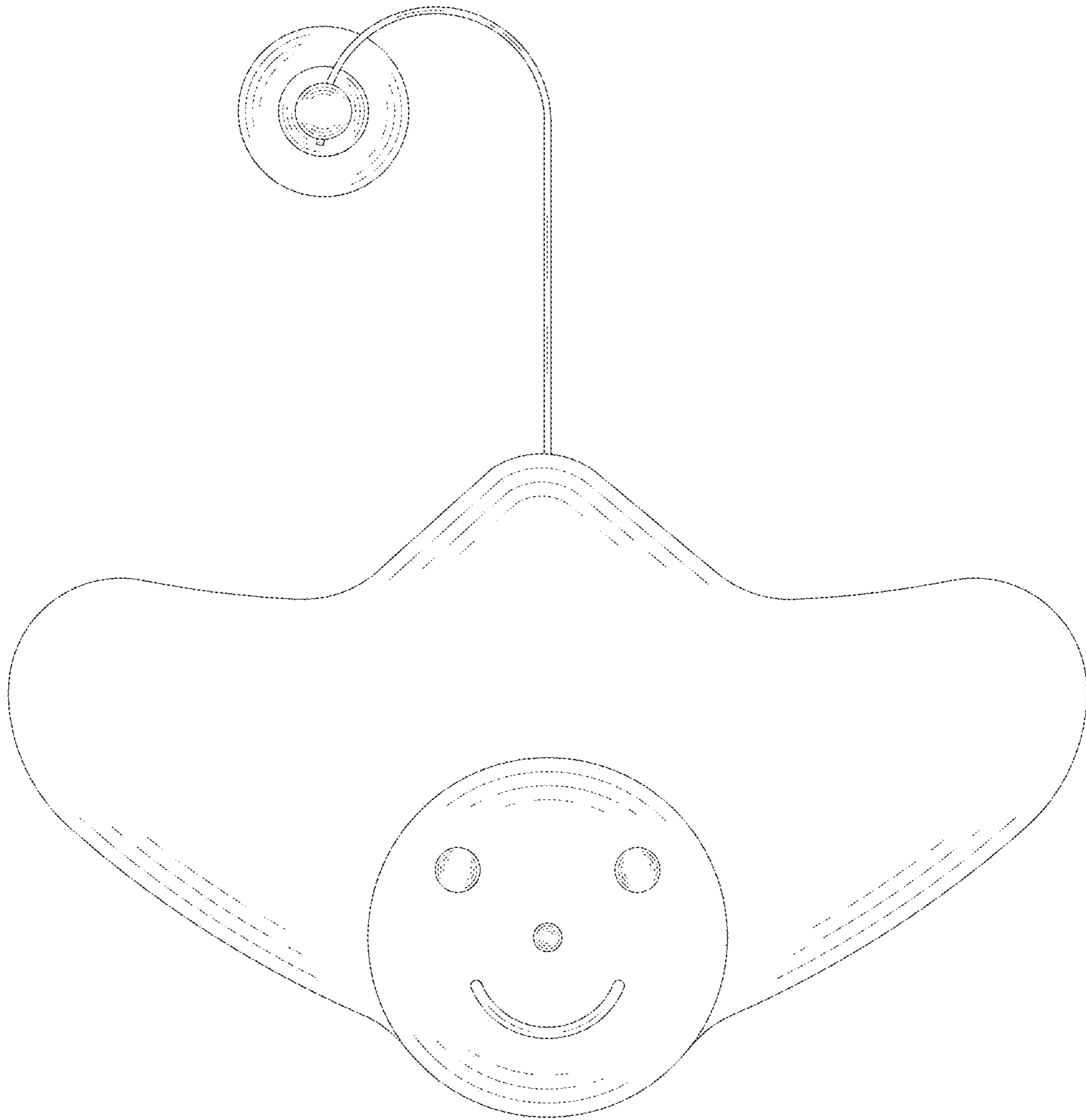


FIG. 3

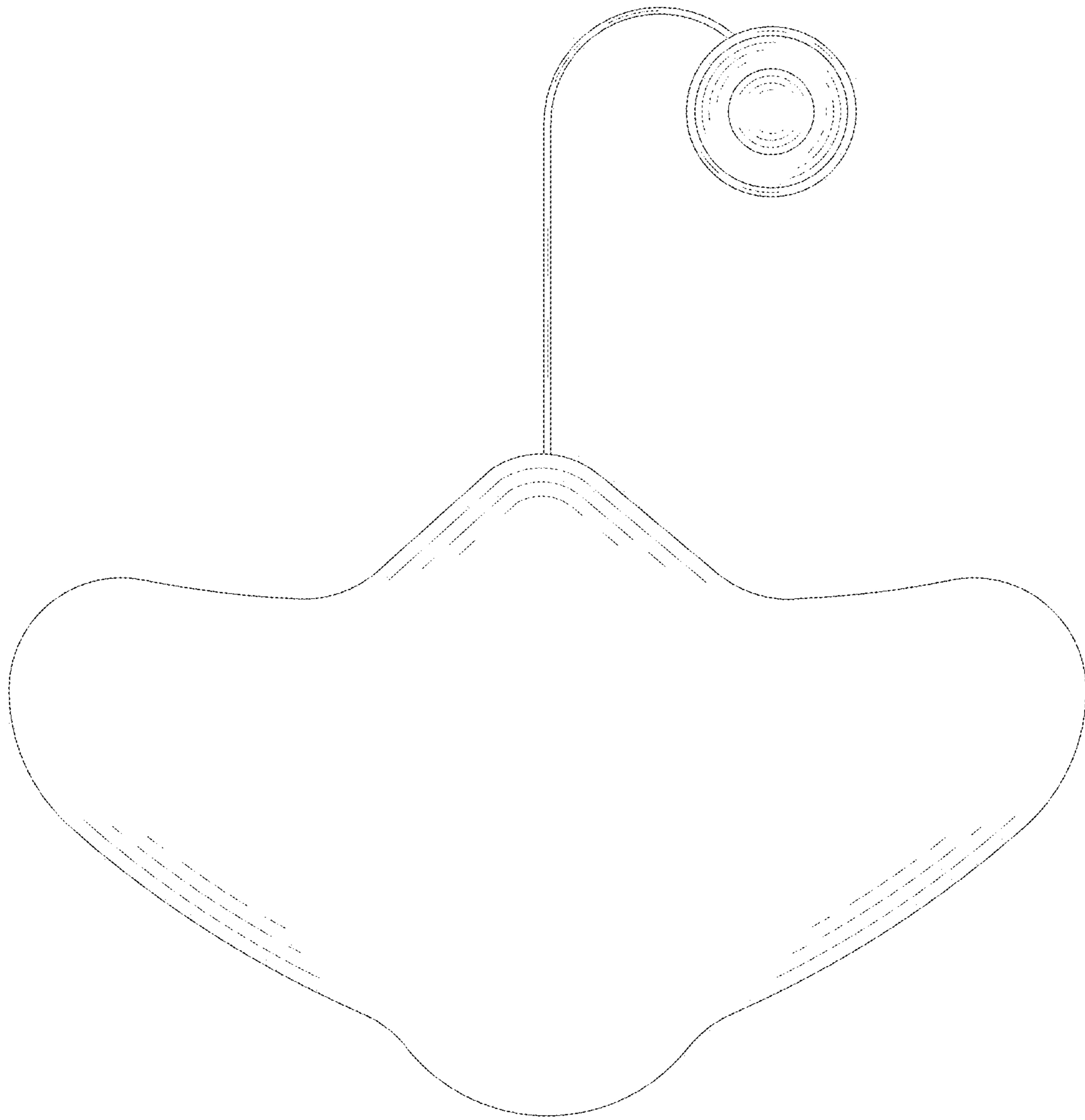


FIG. 4

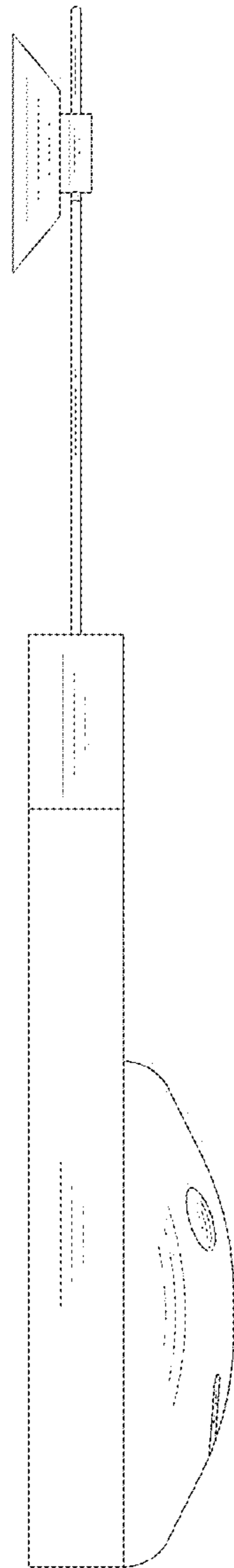


FIG. 5

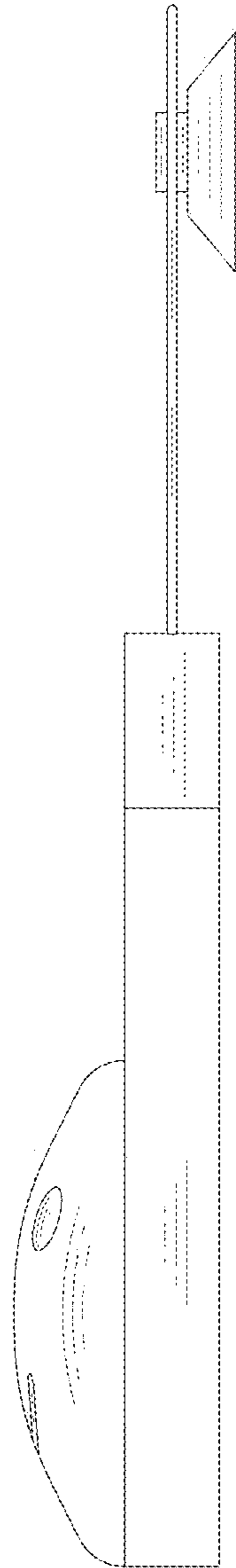


FIG. 6

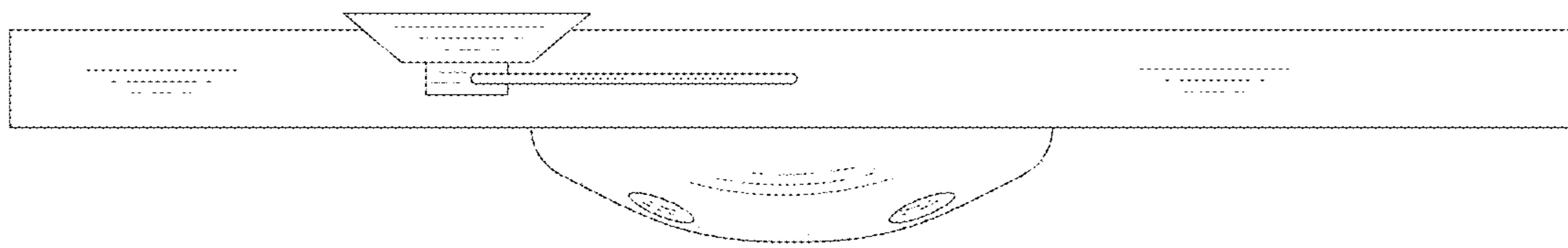


FIG. 7

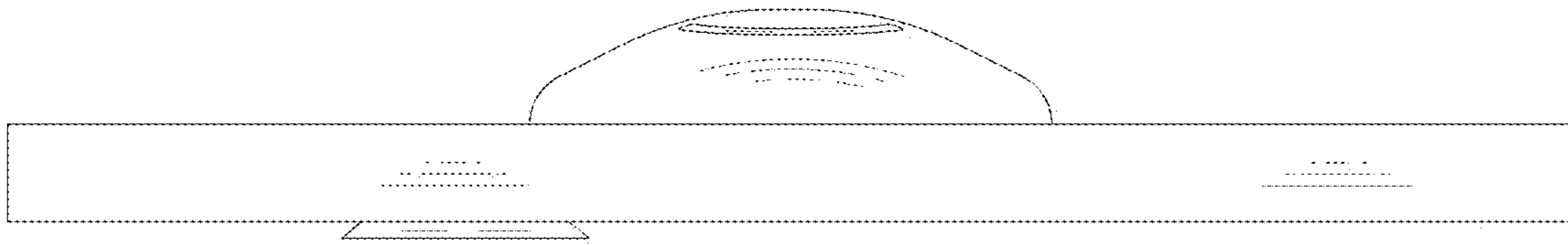


FIG. 8