



US00D987926S

(12) **United States Design Patent**
Bloemendaal et al.

(10) **Patent No.:** **US D987,926 S**
(45) **Date of Patent:** **** May 30, 2023**

(54) **BRUSHROLL FOR A FLOOR CLEANER**
(71) Applicant: **BISSELL Inc.**, Grand Rapids, MI (US)
(72) Inventors: **Colin J. Bloemendaal**, Grand Rapids, MI (US); **Tom Minh Nguyen**, Grand Rapids, MI (US)
(73) Assignee: **BISSELL Inc.**, Grand Rapids, MI (US)
(**) Term: **15 Years**

D909,696 S 2/2021 Knapp et al.
D910,946 S 2/2021 Bloemendaal
D911,644 S * 2/2021 Bloemendaal D32/33
10,912,435 B2 * 2/2021 Kelsey A47L 9/0477
11,013,389 B2 * 5/2021 Resch A47L 7/0004
11,206,962 B1 * 12/2021 Tam A47L 9/04
2008/0244852 A1 * 10/2008 Alton A46B 13/001
15/23
2008/0307597 A1 * 12/2008 Davidshofer A47L 9/0444
15/179
2020/0129021 A1 * 4/2020 Davila A47L 5/30
2021/0212535 A1 * 7/2021 Kegg A47L 5/30

(21) Appl. No.: **29/780,681**
(22) Filed: **Apr. 26, 2021**
(51) **LOC (14) Cl.** **15-05**
(52) **U.S. Cl.**
USPC **D32/31**
(58) **Field of Classification Search**
USPC D4/122, 127, 128, 131-133; D8/383, D8/385-387, 394, 397, 399; D32/1, 3, D32/13, 17-19, 24, 25, 27, 29, 30-32, 35
CPC F41A 17/54; A47L 5/24; A47L 5/26; A47L 9/2868; A47L 9/00; A47L 11/00; A47L 11/40; A47L 9/32; A47L 9/322; A47L 9/325; A47L 9/327
See application file for complete search history.

FOREIGN PATENT DOCUMENTS

GB 6162921 * 9/2021
* cited by examiner

Primary Examiner — Kevin K Rudzinski
Assistant Examiner — Richard E Yenchesky
(74) *Attorney, Agent, or Firm* — Warner Norcross + Judd LLP

(57) **CLAIM**

The ornamental design for a brushroll for a floor cleaner, as shown and described.

DESCRIPTION

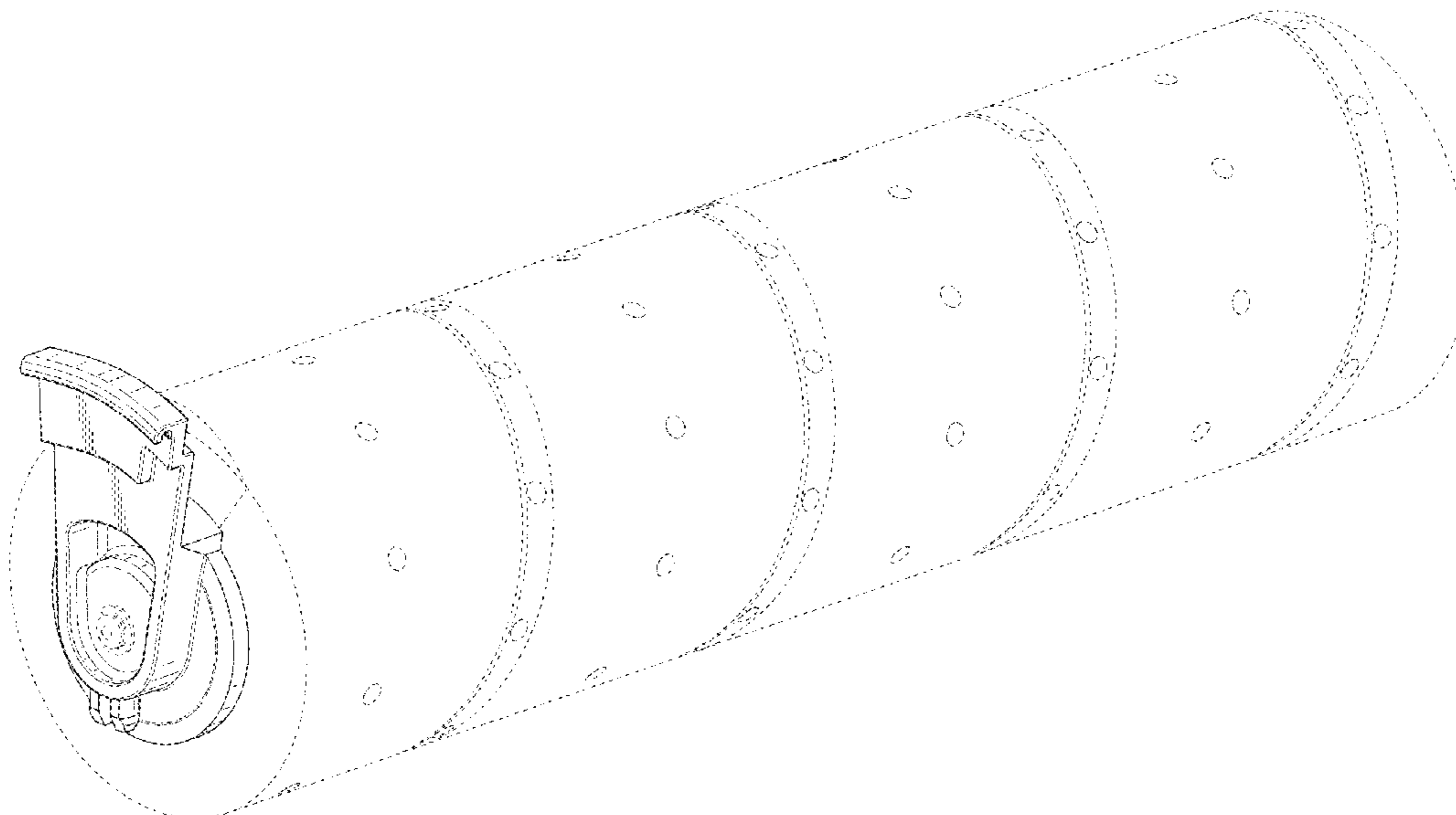
FIG. 1 is a left perspective view of a brushroll for a floor cleaner showing our new design;
FIG. 2 is a right perspective view thereof;
FIG. 3 is a front view thereof;
FIG. 4 is a rear view thereof;
FIG. 5 is a left side view thereof;
FIG. 6 is a right side view thereof;
FIG. 7 is a top view thereof; and,
FIG. 8 is a bottom view thereof.
The details of the brushroll for a floor cleaner shown in broken lines form no part of the claimed design.

1 Claim, 5 Drawing Sheets

(56) **References Cited**

U.S. PATENT DOCUMENTS

4,429,430 A * 2/1984 Lyman A47L 9/0444
15/366
5,619,770 A * 4/1997 Bell A47L 11/4058
451/514
6,530,828 B1 * 3/2003 Kolthoff B24D 9/08
451/490
10,143,344 B2 * 12/2018 Krebs A47L 5/30
10,226,157 B2 * 3/2019 Xu A47L 9/0455
D908,994 S 1/2021 Xia et al.
D908,995 S 1/2021 Xia et al.
D908,996 S 1/2021 Knapp et al.



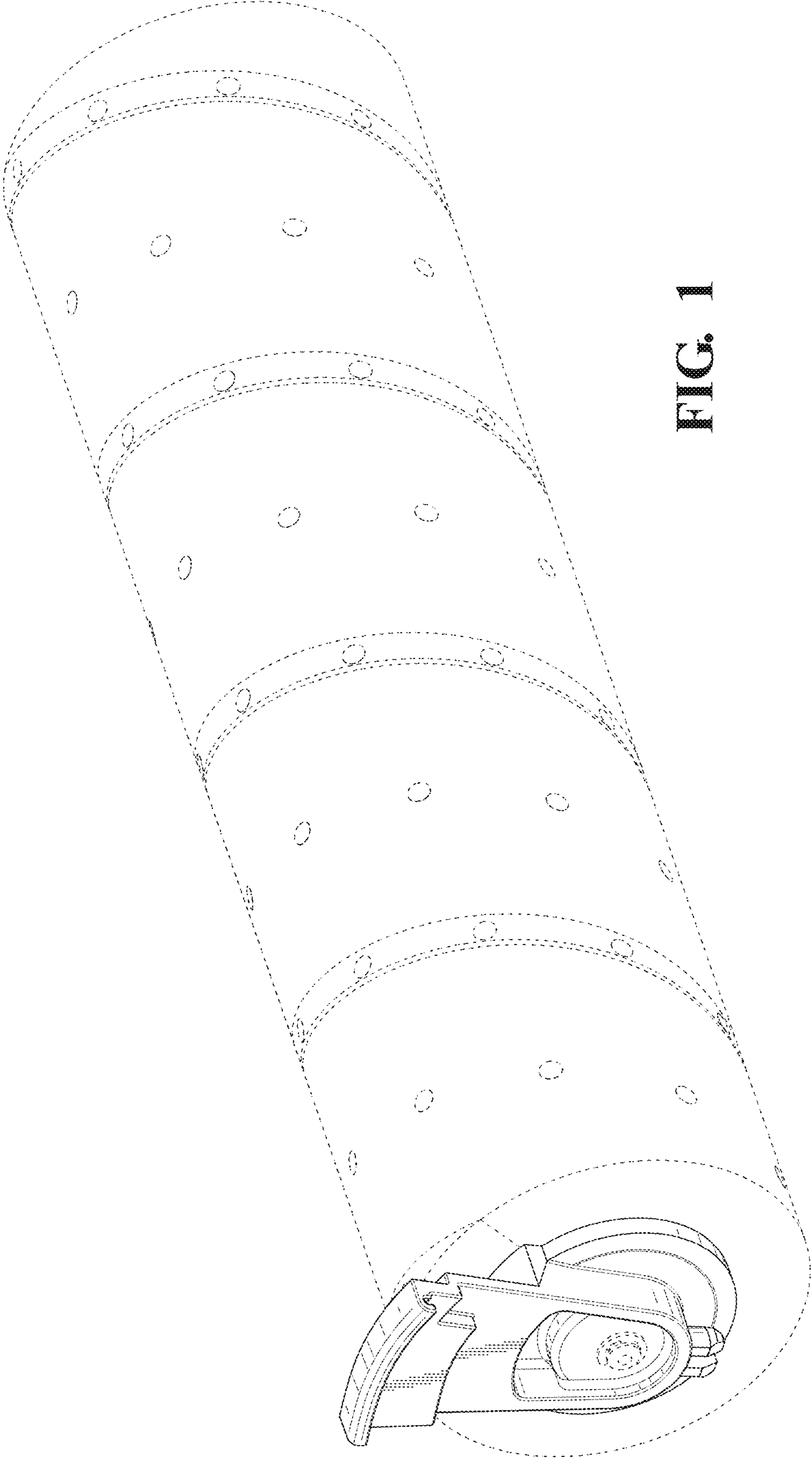


FIG. 1

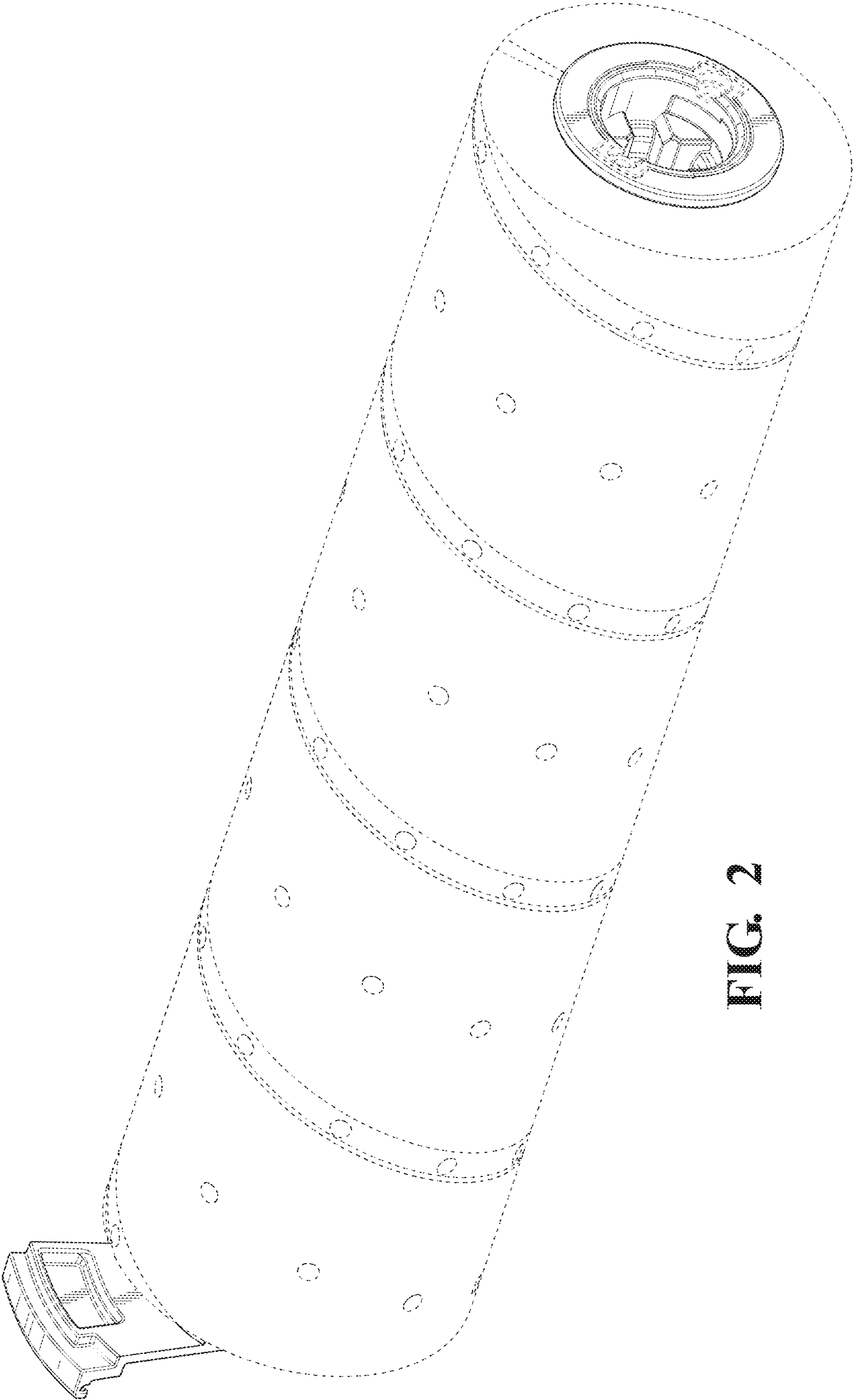


FIG. 2

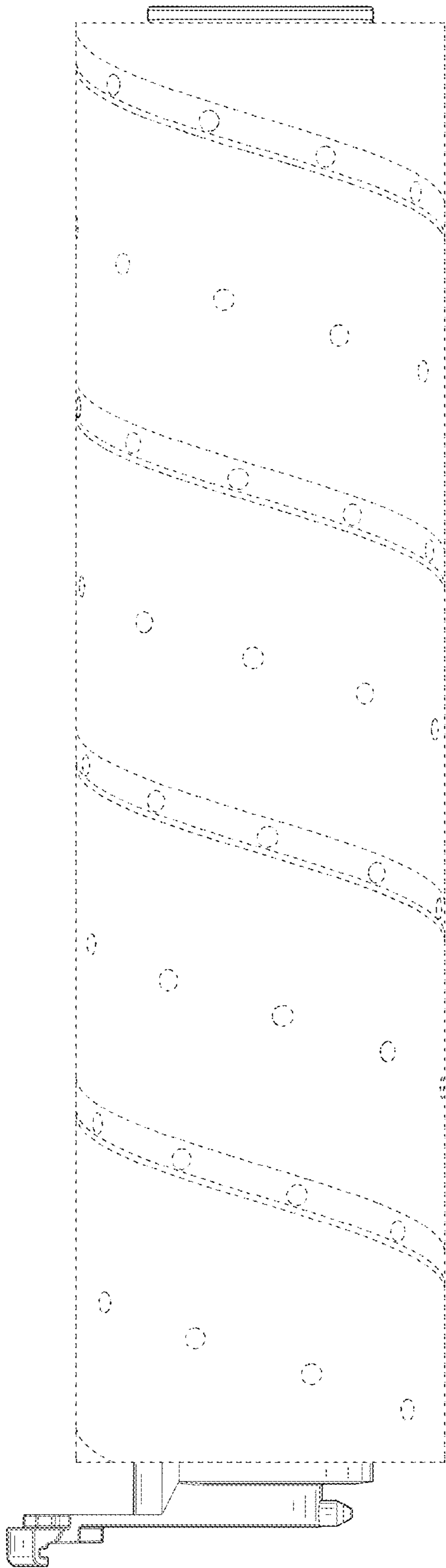


FIG. 3

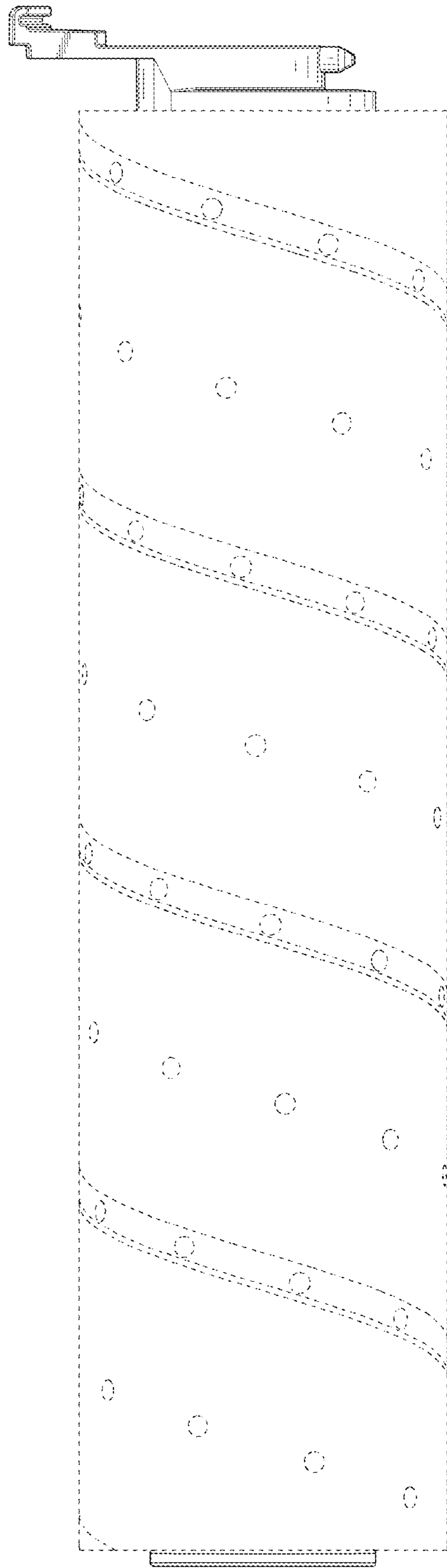


FIG. 4

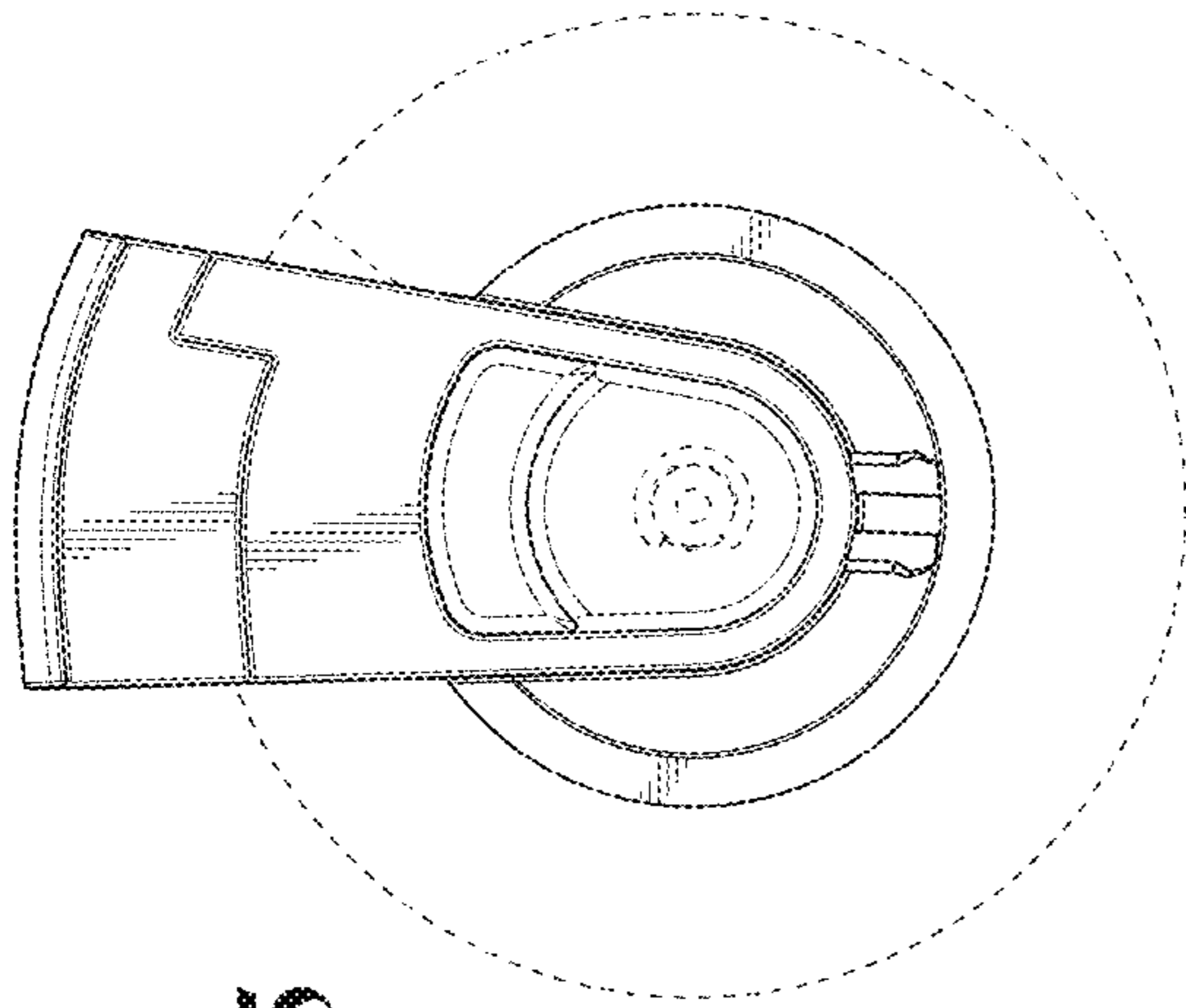


FIG. 5

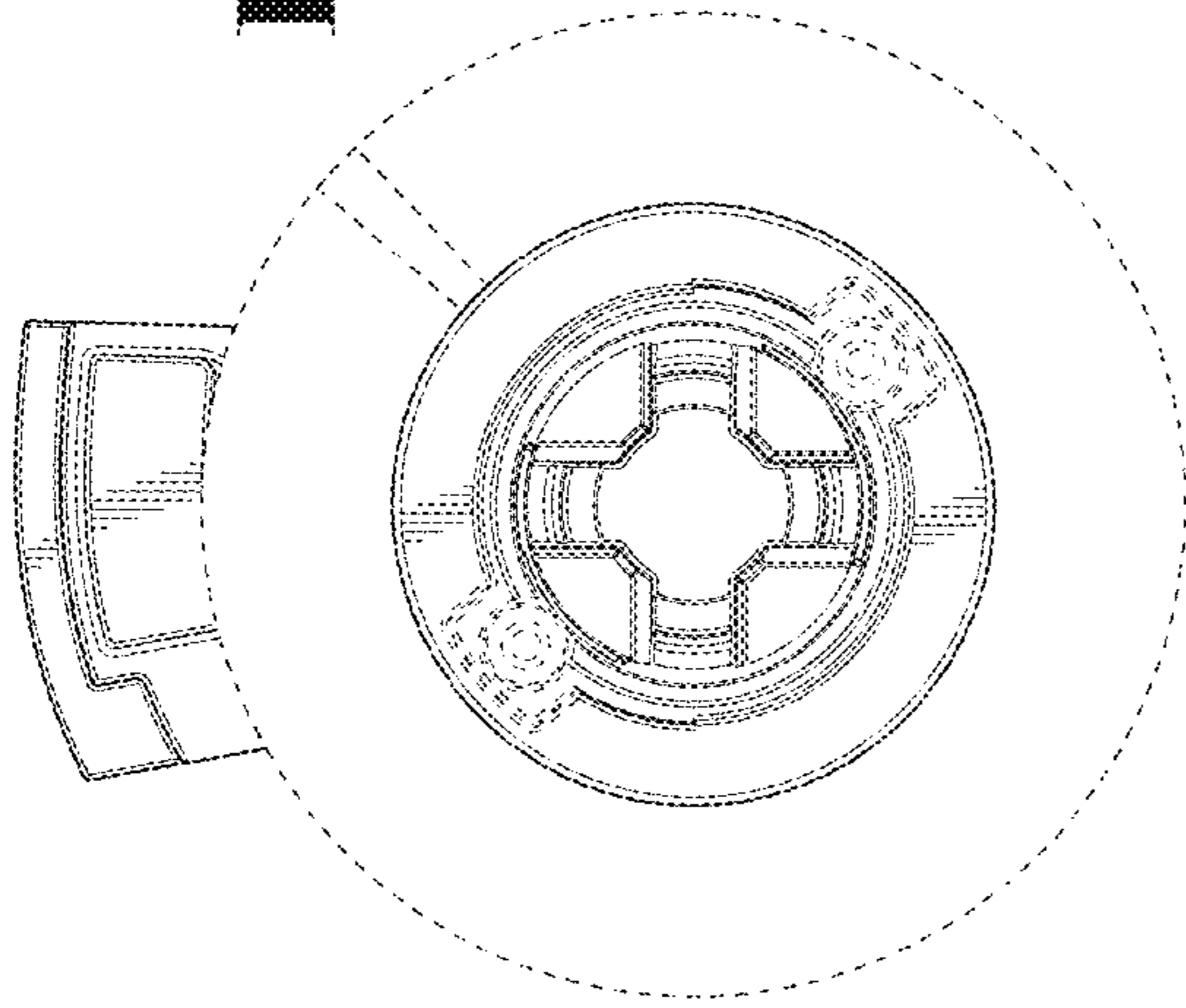


FIG. 6

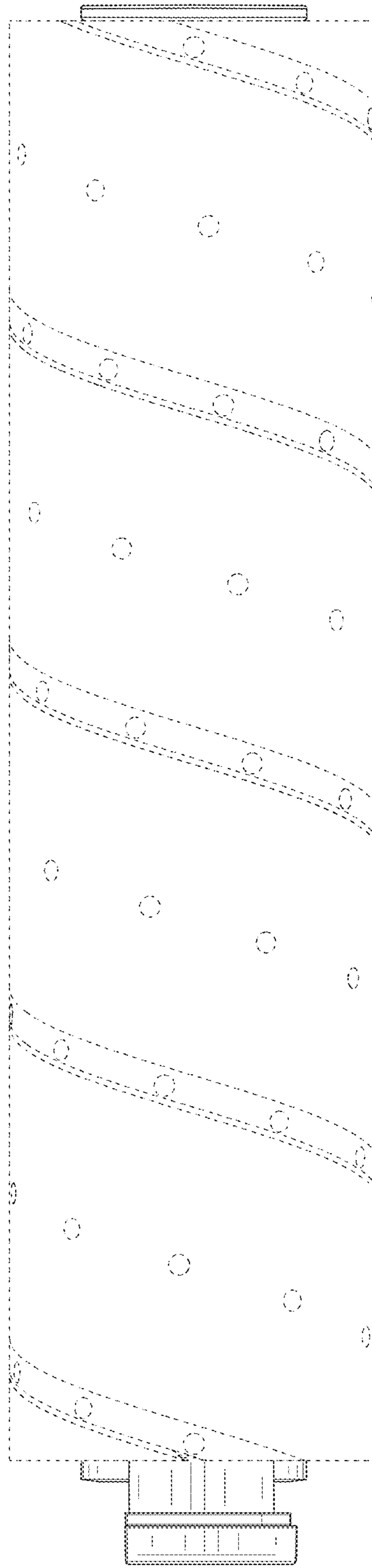


FIG. 7

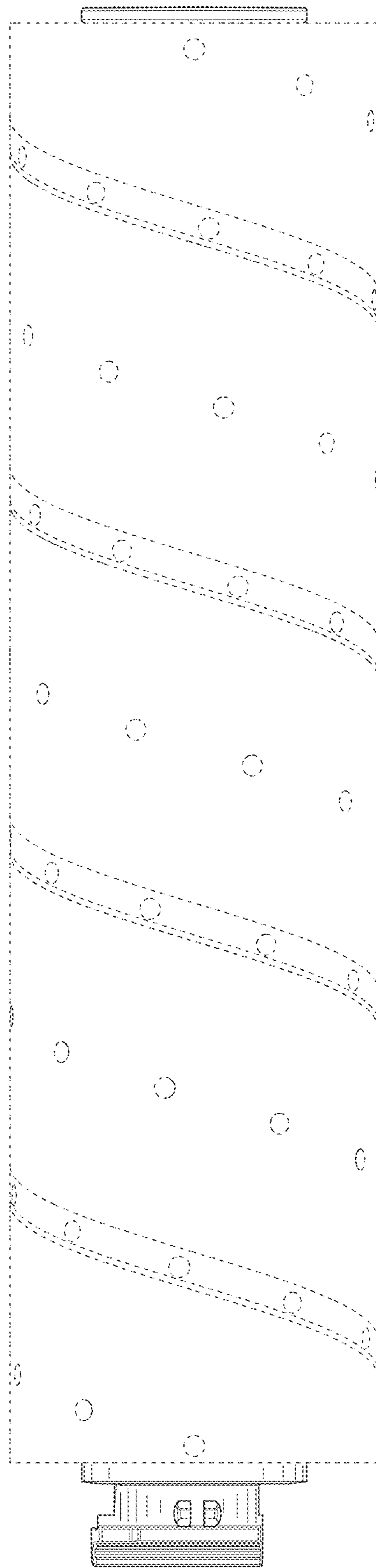


FIG. 8