



US00D987925S

(12) **United States Design Patent** (10) **Patent No.:** **US D987,925 S**
Douglas et al. (45) **Date of Patent:** **** *May 30, 2023**

(54) **FILTER FOR A VACUUM CLEANER**

(71) Applicant: **Dyson Technology Limited**, Wiltshire (GB)
(72) Inventors: **Philip Stephen Douglas**, Bristol (GB); **Simon Brian McNamee**, Bristol (GB); **Alexander Patrick Webster**, Bristol (GB); **Alexander Stuart Knox**, Swindon (GB); **Giles Ashbee**, Swindon (GB); **William Henry Kerr**, Bristol (GB); **Andrew Martin Mitchell**, Swindon (GB); **Ketan Patel**, Swindon (GB)

(73) Assignee: **Dyson Technology Limited**, Malmesbury (GB)

(*) Notice: This patent is subject to a terminal disclaimer.

(**) Term: **15 Years**

(21) Appl. No.: **29/751,945**

(22) Filed: **Sep. 24, 2020**

(30) **Foreign Application Priority Data**

Mar. 25, 2020 (EM) 007771803-0002

(51) **LOC (14) Cl.** **15-05**

(52) **U.S. Cl.**
USPC **D32/31**

(58) **Field of Classification Search**

USPC D32/25, 30, 31, 32; D23/365; D15/5, D15/17, 72, 78, 138
CPC . A47L 7/0004; A47L 9/00; A47L 9/12; A47L 9/14; A47L 9/1409; A47L 9/1427; A47L 9/1454; A47L 9/1666; A47L 9/20; B01D 2279/55

See application file for complete search history.

(56) **References Cited**

U.S. PATENT DOCUMENTS

2,372,860 A * 4/1945 Stoner A47L 5/30 96/385
D149,368 S * 4/1948 Lippincott D32/31
(Continued)

FOREIGN PATENT DOCUMENTS

KR 3011126730002 * 11/2021
KR 3011126730003 * 11/2021

OTHER PUBLICATIONS

Air Filter 88944151 For Hummer, available in Amazon.ca, date first available Aug. 1, 2019 [online], [site visited May 17, 2022], Available from the internet URL: https://www.amazon.ca/FILTER-88944151-HUMMER-2003-2009-15286805/dp/B07SPRRL9Y/ref=sr_1_7 (Year: 2019).*

(Continued)

Primary Examiner — Jennifer Rivard

Assistant Examiner — Jennylou M Binas

(74) *Attorney, Agent, or Firm* — Faegre Drinker Biddle & Reath LLP

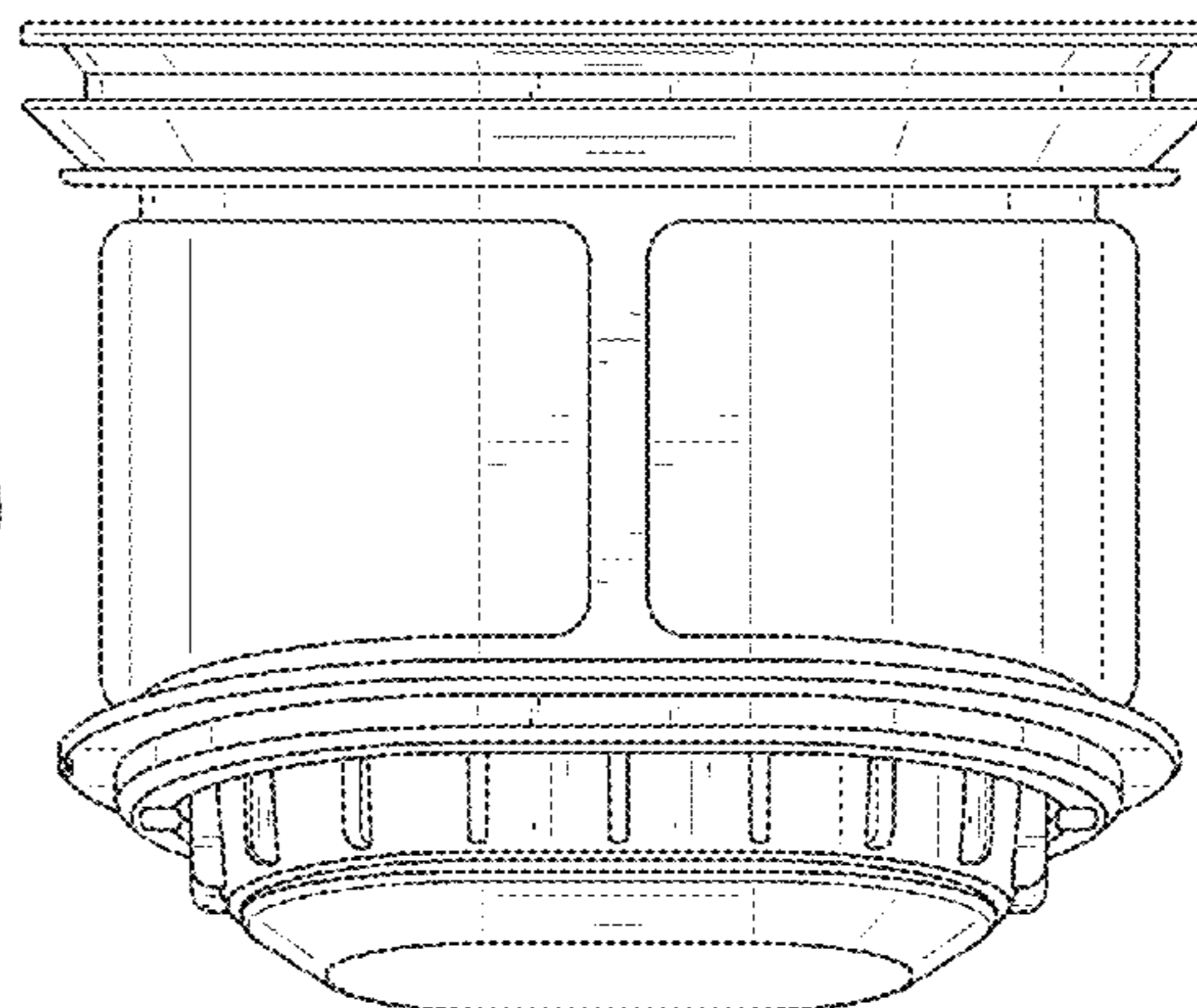
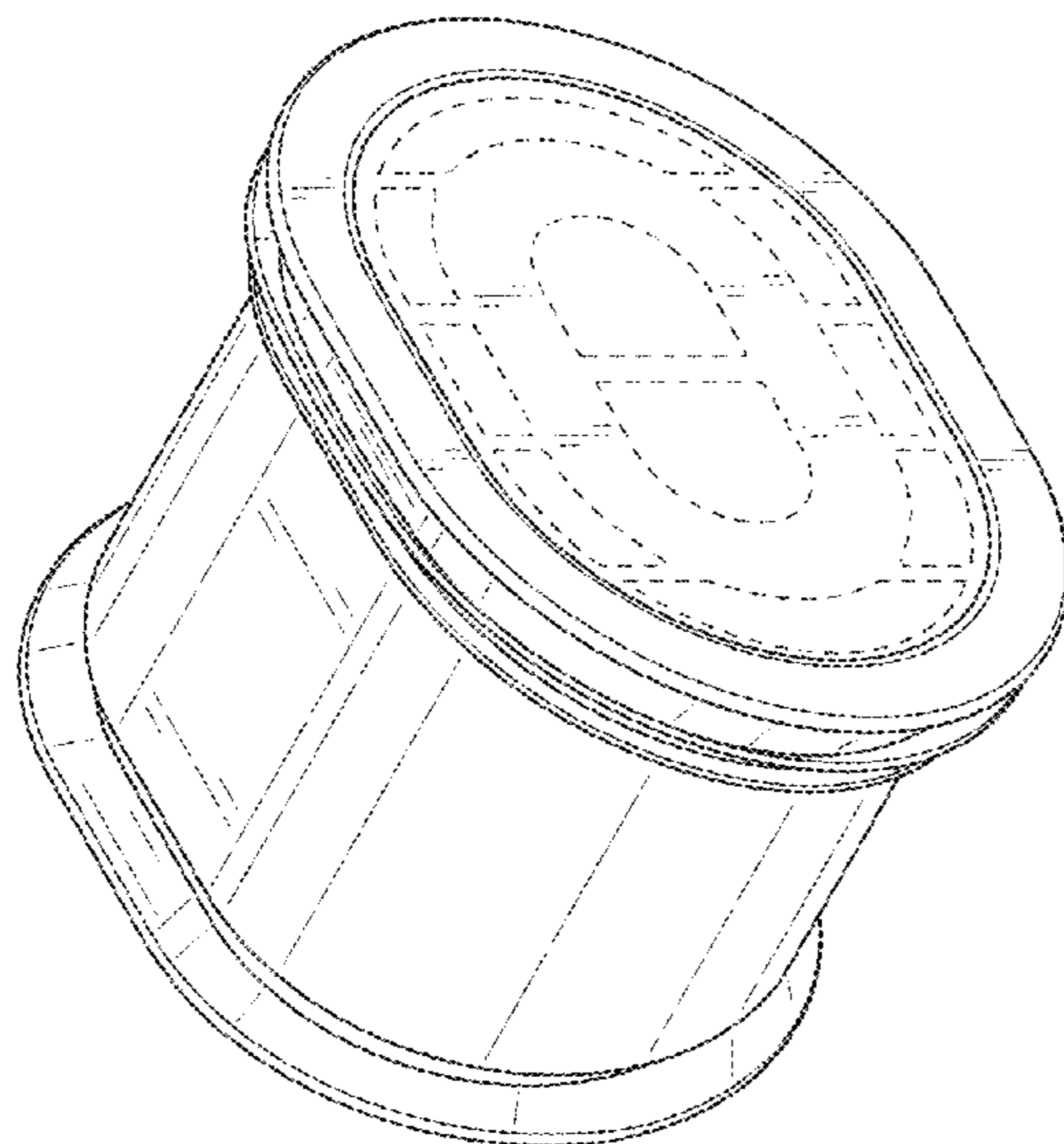
(57) **CLAIM**

We claim the ornamental design for a filter for a vacuum cleaner, as shown and described.

DESCRIPTION

FIG. 1 is a front perspective view of a filter for a vacuum cleaner showing our new design;
FIG. 2 is a top view thereof;
FIG. 3 is a bottom view thereof;
FIG. 4 is a front view thereof;
FIG. 5 is a rear view thereof;
FIG. 6 is a right side view thereof; and,
FIG. 7 is a left side view thereof.
The broken lines shown in the drawings illustrate portions of a filter for a vacuum cleaner that form no part of the claimed design.

1 Claim, 7 Drawing Sheets



(56)

References Cited

U.S. PATENT DOCUMENTS

2,594,458 A * 4/1952 La Briere A47L 9/1427
55/371
D195,398 S * 6/1963 Pratt et al. D32/31
3,877,902 A * 4/1975 Eriksson A47L 5/365
55/467
D333,891 S * 3/1993 Reed, Jr. D32/30
5,192,344 A * 3/1993 House A47L 9/185
96/342
D400,323 S * 10/1998 Scanlon D32/30
D417,268 S * 11/1999 Gillingham D23/365
D437,402 S * 2/2001 Gieseke D23/365
D484,584 S * 12/2003 Anderson D23/365
D495,105 S * 8/2004 Baldinger D32/30
D497,202 S * 10/2004 Carter D15/5
D506,539 S * 6/2005 Bishop D23/365
D520,127 S * 5/2006 Khalil D23/365
D521,137 S * 5/2006 Khalil A47L 9/165
D32/31
7,135,051 B2 * 11/2006 Baldinger A47L 9/125
55/482
D541,399 S * 4/2007 Khalil D32/31
7,374,594 B2 * 5/2008 Gierer B01D 46/521
55/467
7,374,595 B2 * 5/2008 Gierer A47L 9/127
55/498
D588,762 S * 3/2009 Dyson D32/31
D601,320 S * 9/2009 Williams D32/30
7,655,062 B2 * 2/2010 Greene A47L 9/122
55/DIG. 3
7,799,103 B2 * 9/2010 Coburn A47L 5/24
15/352
8,192,623 B2 * 6/2012 Reid B01D 29/58
210/493.4

D711,608 S * 8/2014 O'Shaughnessy D32/32
D736,263 S * 8/2015 Schultz D15/5
9,550,139 B2 * 1/2017 Madonia B08B 1/00
D786,935 S * 5/2017 Krull D15/5
D794,082 S * 8/2017 Krull D15/5
D804,004 S * 11/2017 Madeira D23/365
D819,699 S * 6/2018 Krull D15/5
D852,345 S * 6/2019 Stanhope D23/365
10,464,746 B2 * 11/2019 Conrad A47L 9/12
D914,187 S * 3/2021 Bink D23/365
D914,309 S * 3/2021 Cole D32/32
D946,733 S * 3/2022 Stanhope D23/365
2020/0338489 A1 * 10/2020 Lepold B01D 46/2403
2022/0133107 A1 * 5/2022 Lawrence A47L 9/1436
55/367

OTHER PUBLICATIONS

Lawn Air Cleaner Toolfor Briggs and Stratton, available in Amazon.co.uk, date first available Apr. 26, 2022 [online], [site visited May 17, 2022], Available from the internet URL: https://www.amazon.co.uk/dp/B09YV9K9J3/ref=sspa_dk_detail_3 (Year: 2022).*

MaximalPower Replacement HEPA Filter (4 Pack) for Hoover, available in Amazon.com, date first available Sep. 10, 2018 [online], [site visited May 17, 2022], Available from the internet URL: https://smile.amazon.com/dp/B07H7WX2BG/ref=cm_sw_r_apan_i_S61Z2Q9K4M8VJ97BHJ5D?_encoding=UTF8&psc=1 (Year: 2018).*

WIX Filters—46937 Heavy Duty Corrugated Style Outer Ai, available in Amazon.co.uk, date first available May 26, 2013 [online], [site visited May 17, 2022], Available from the internet URL: https://www.amazon.co.uk/WIX-CORPORATION-46937-CORRUGATED-STYLE/dp/B0014BEYMO/ref=sr_1_50 (Year: 2013).*

* cited by examiner

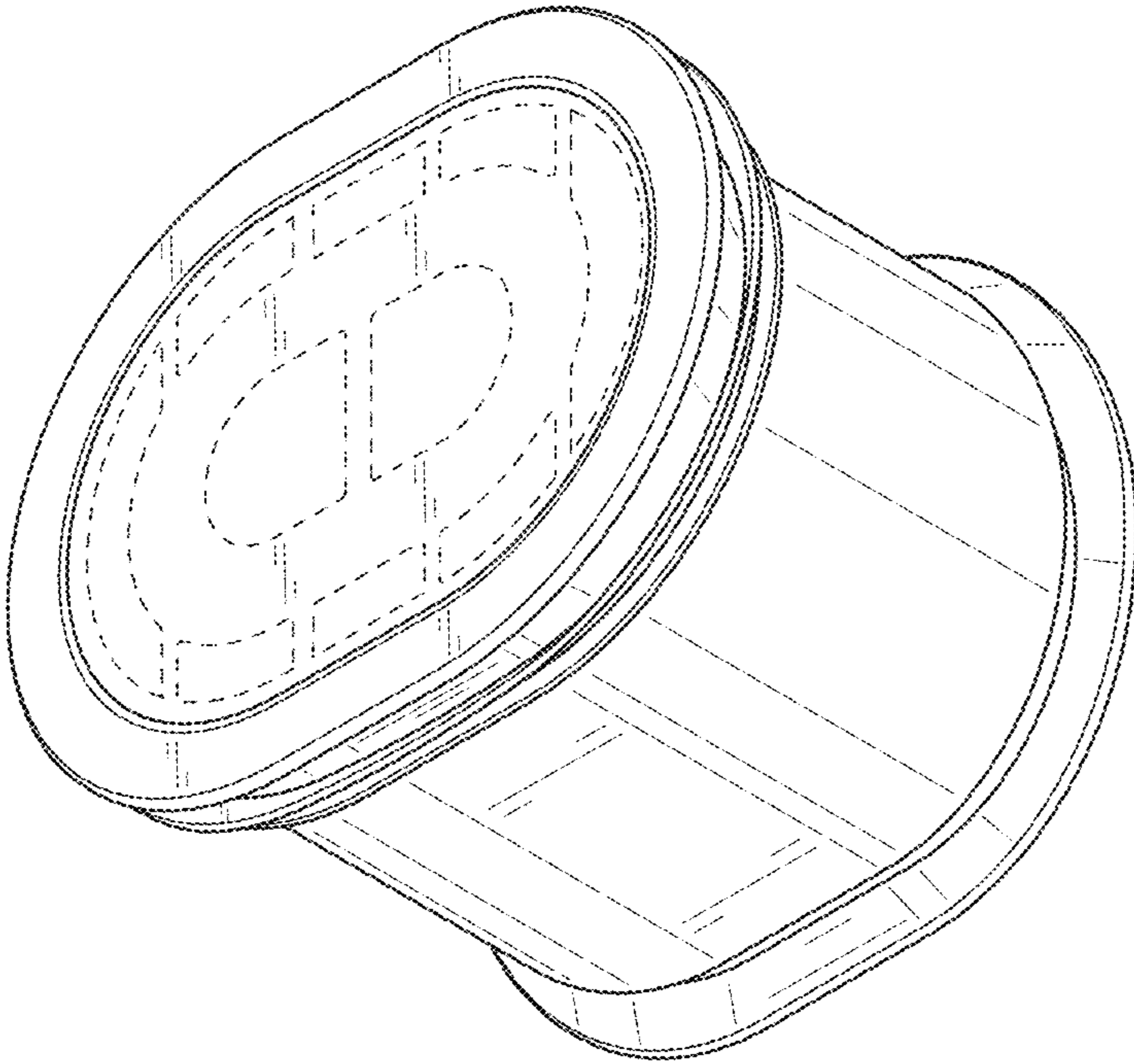


FIG. 1

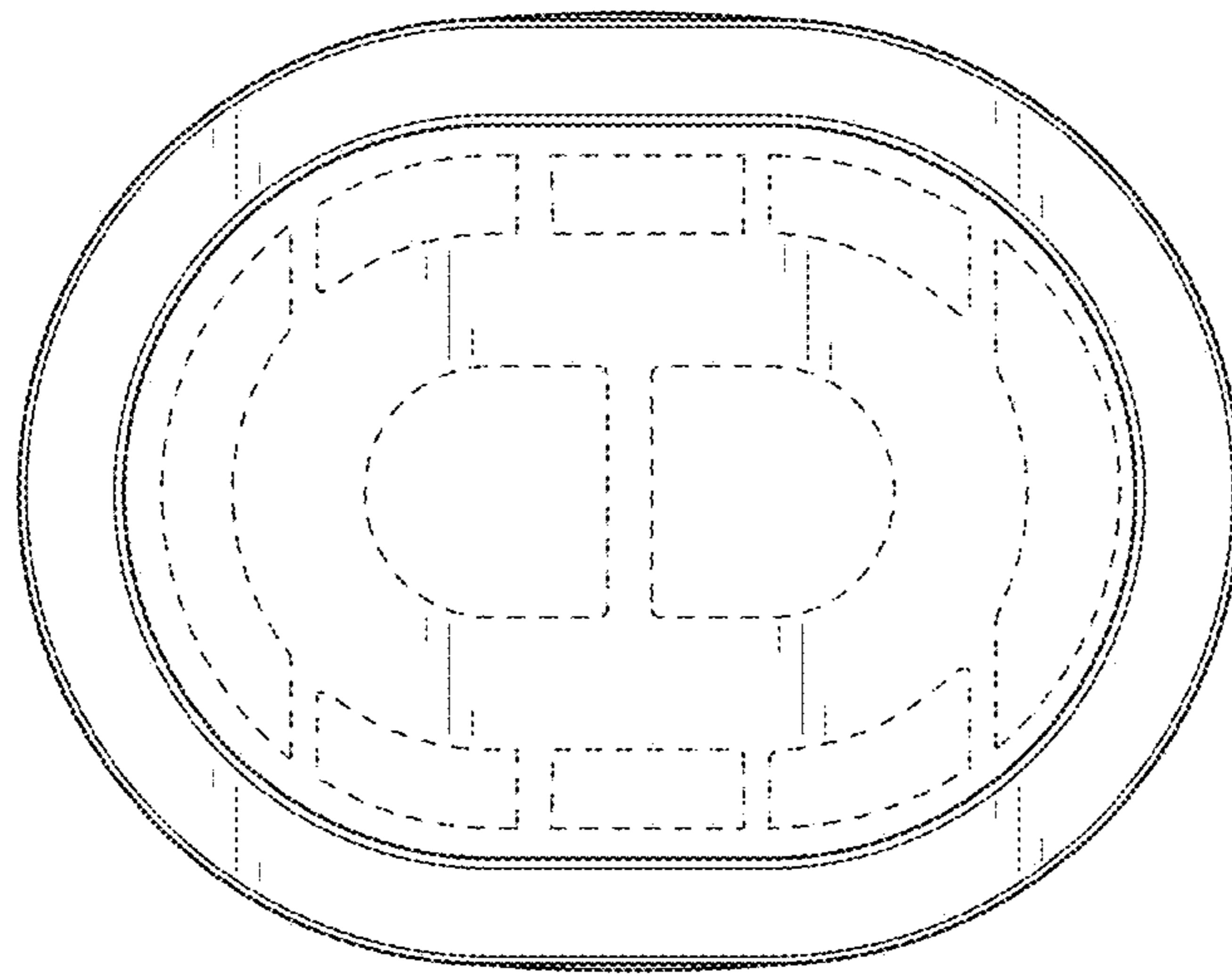


FIG. 2

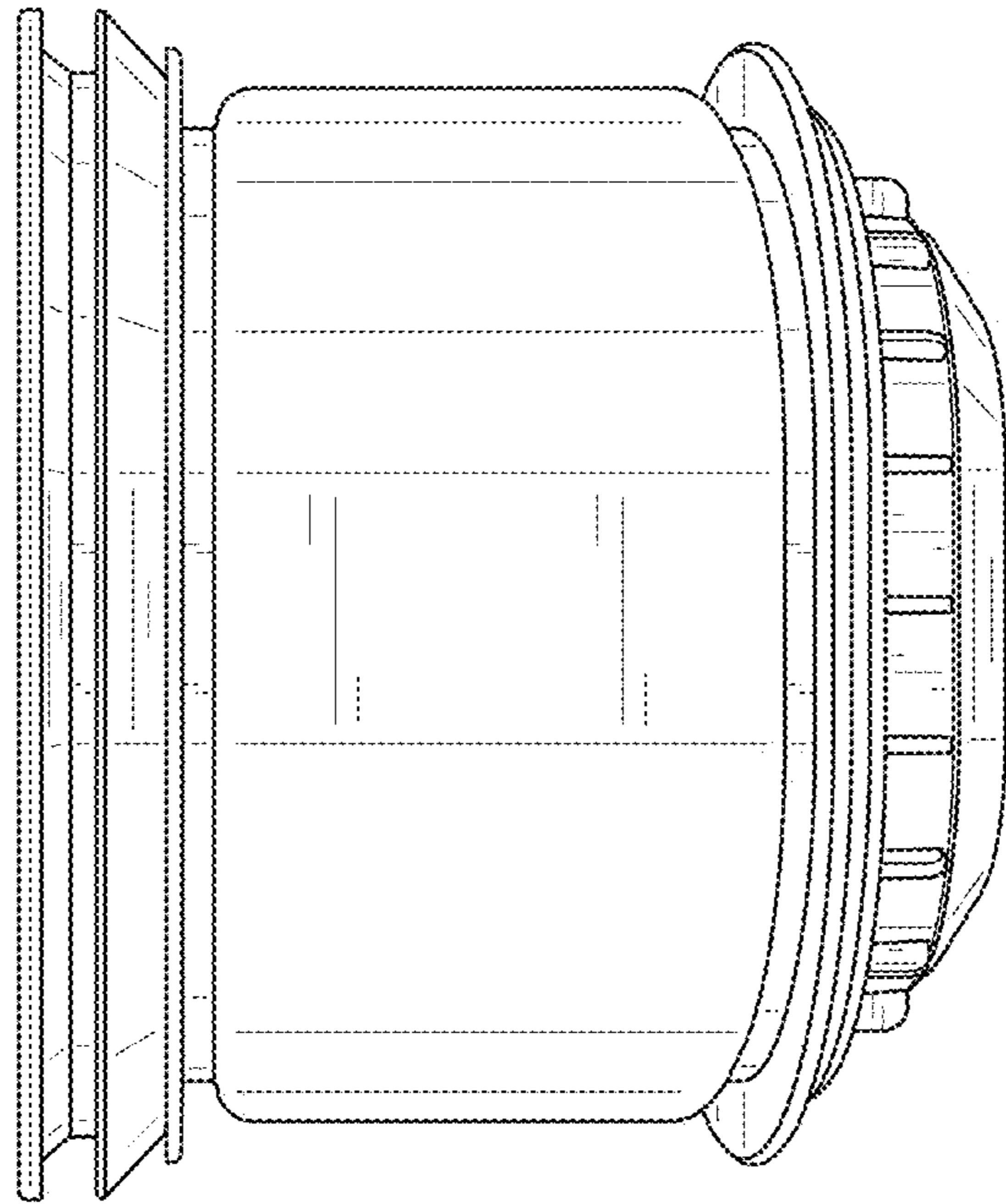


FIG. 4

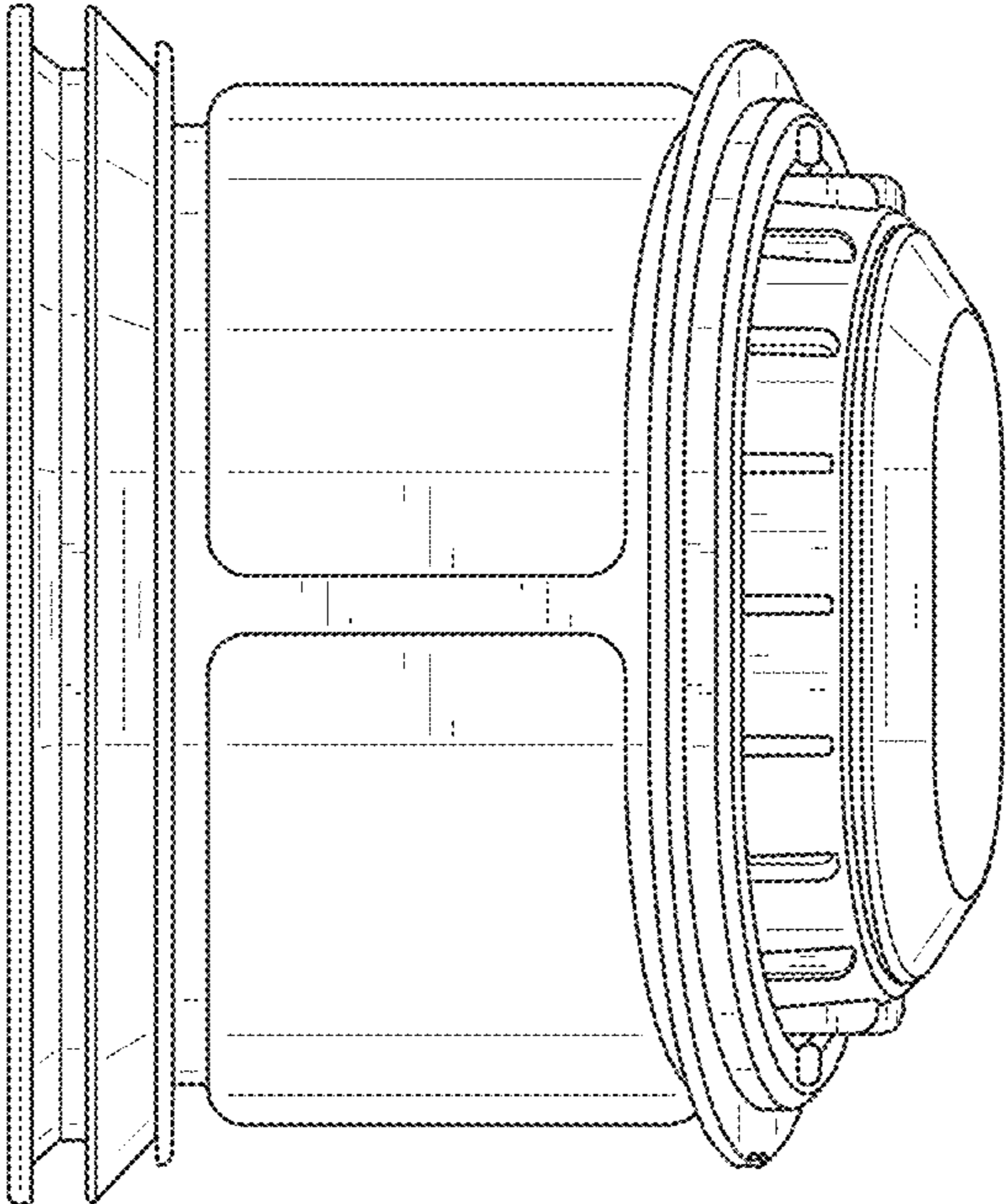


FIG. 5

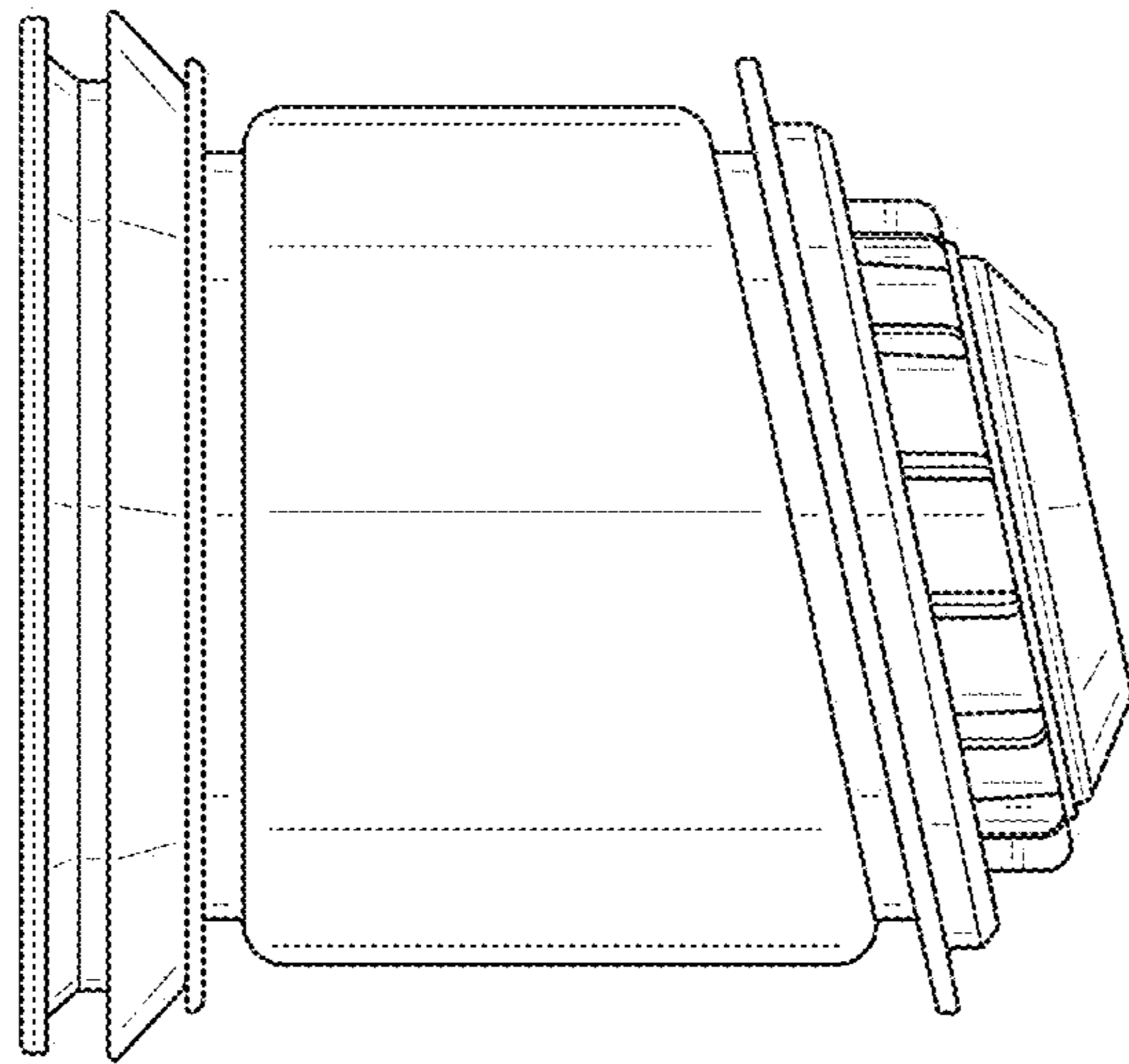


FIG. 6

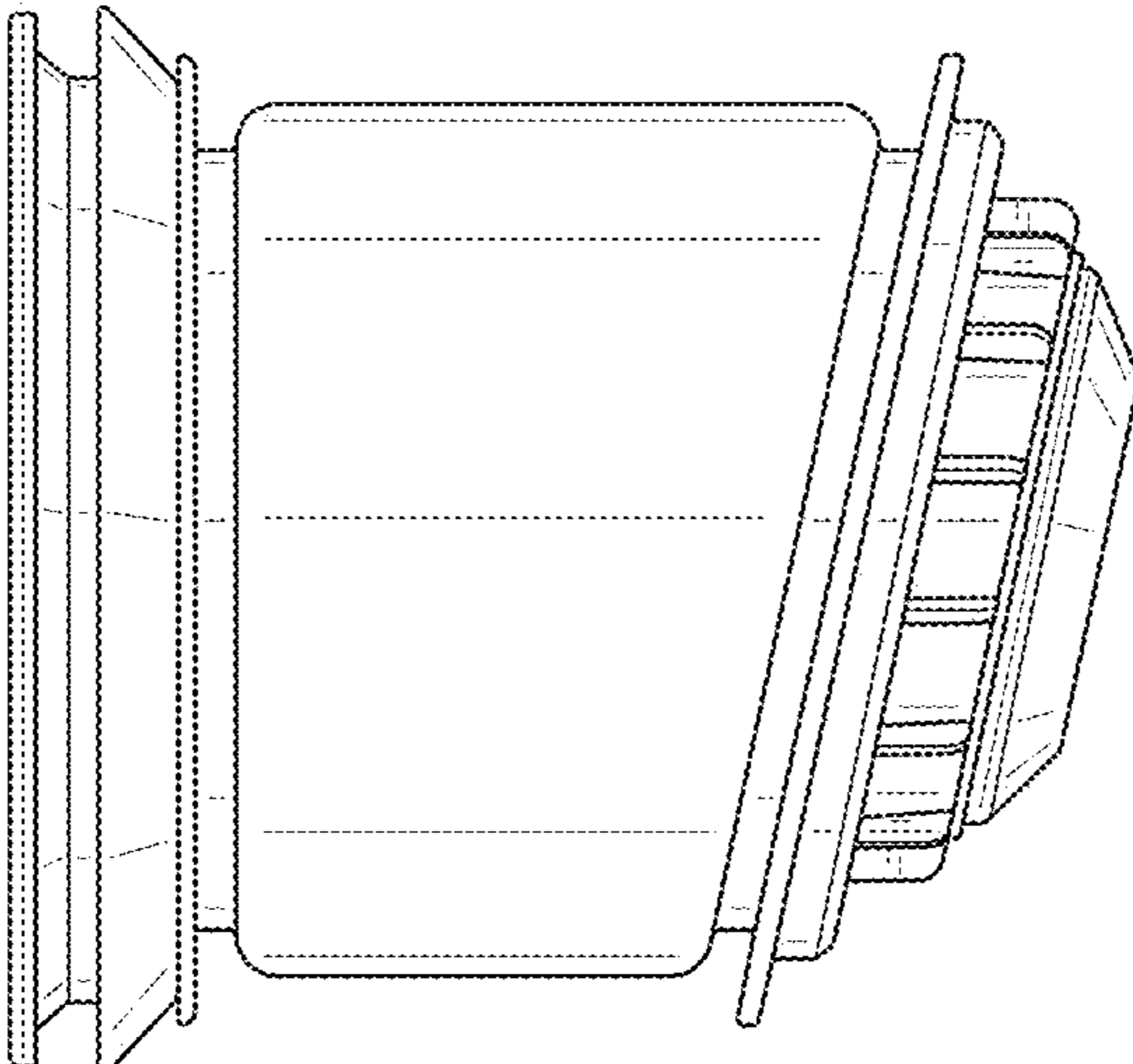


FIG. 7