



US00D987924S

(12) **United States Design Patent** (10) **Patent No.:** **US D987,924 S**
Chao (45) **Date of Patent:** **** May 30, 2023**

(54) **CLEANING ROBOT**

(71) Applicant: **Hobot Technology Inc.**, Chupei (TW)

(72) Inventor: **Chi-Mou Chao**, Zhubei (TW)

(73) Assignee: **HOBOT TECHNOLOGY INC.**,
Chupei (TW)

(**) Term: **15 Years**

(21) Appl. No.: **29/757,697**

(22) Filed: **Nov. 9, 2020**

(30) **Foreign Application Priority Data**

Jul. 14, 2020 (CN) 202030379135.X

(51) **LOC (14) Cl.** **15-05**

(52) **U.S. Cl.**
USPC **D32/21**

(58) **Field of Classification Search**
USPC D8/70; D15/199; D16/230; D32/1, 21,
D32/31

CPC A47L 9/009; A47L 2201/00; A47L 13/10;
A47L 13/00; A47L 11/32; A47L 11/24;
A47L 11/00; A47L 11/02

See application file for complete search history.

(56) **References Cited**

U.S. PATENT DOCUMENTS

D593,265 S * 5/2009 Carr D32/21
D720,103 S * 12/2014 Haug D32/21
D798,007 S * 9/2017 Wo D32/21
9,968,234 B2 * 5/2018 Chao A47L 11/305
D859,764 S * 9/2019 Sexton D32/21
D860,557 S * 9/2019 Gnielka D32/21
D862,010 S * 10/2019 Smith D32/21
10,967,749 B2 * 4/2021 O'Brien H05F 3/02
D926,398 S * 7/2021 Kim D32/21
D927,107 S * 8/2021 Choi D32/21
D930,299 S * 9/2021 Lee D15/199
D933,319 S * 10/2021 Lyu D15/199

D935,118 S * 11/2021 Lee D32/21
D938,676 S * 12/2021 Takahashi D32/21
D946,840 S * 3/2022 Lv D32/21
2018/0242801 A1 * 8/2018 Kim A47L 9/1625
2019/0200826 A1 * 7/2019 Burbank A47L 9/102
2019/0282050 A1 * 9/2019 Hyun A47L 9/2826
2021/0038033 A1 * 2/2021 Sexton A47L 9/04

(Continued)

FOREIGN PATENT DOCUMENTS

CN 306273692 * 1/2021

OTHER PUBLICATIONS

Hobot Legee-688 Vacuum https://www.amazon.com/HOBOT-LEGEE-688-Vacuum-Mop-Automatic-Cleaning/dp/B07R4BJXBH/ref=sr_1_1_sspa (Year: 2019).*

(Continued)

Primary Examiner — Kevin K Rudzinski
Assistant Examiner — Richard E Yenchesky
(74) *Attorney, Agent, or Firm* — Muncy, Geissler, Olds & Lowe, P.C.

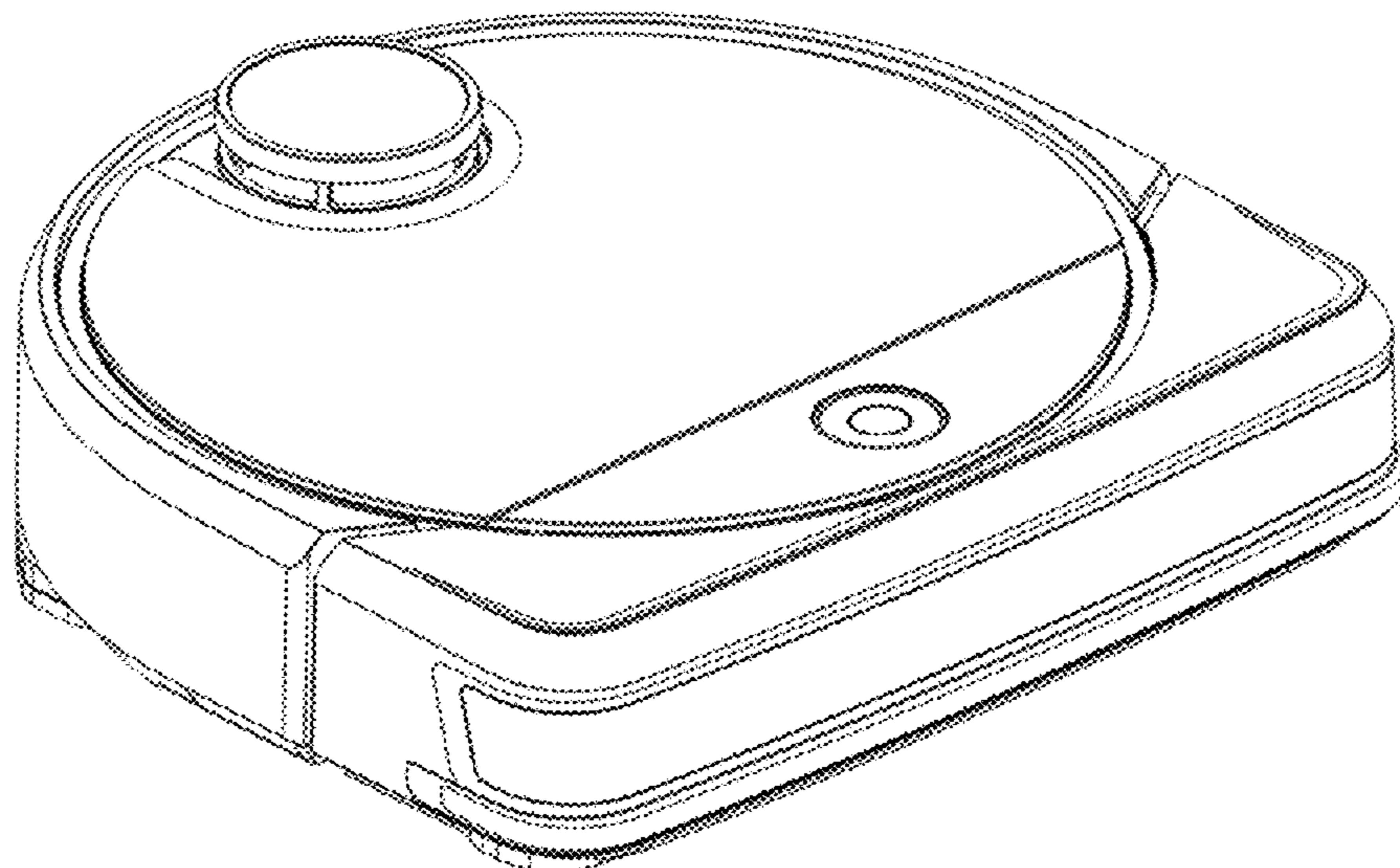
(57) **CLAIM**

The ornamental design for a cleaning robot, as shown and described.

DESCRIPTION

FIG. 1 is a perspective view of a cleaning robot showing my new design;
FIG. 2 is a front elevational view thereof;
FIG. 3 is a rear elevational view thereof;
FIG. 4 is a left side view thereof;
FIG. 5 is a right side view thereof;
FIG. 6 is a top plan view thereof; and,
FIG. 7 is a bottom plan view thereof.
The broken lines depict portions of the cleaning robot that form no part of the claimed design.

1 Claim, 4 Drawing Sheets



(56)

References Cited

U.S. PATENT DOCUMENTS

2021/0373564 A1* 12/2021 Eickenberg A47L 9/2852
2022/0061611 A1* 3/2022 Choi A47L 9/0488
2022/0061616 A1* 3/2022 Yoon G01S 7/4811

OTHER PUBLICATIONS

Alibaba.com Hobot Legee 7 Wet And Dry Cleaning Robot https://www.alibaba.com/product-detail/2022-HOBOT-LEGEE-7-Wet-and_1600150748528.html (Year: 2022).
CN application No. CN201830422327.7, filed on Aug. 2, 2018 (with English abstract attached).

* cited by examiner

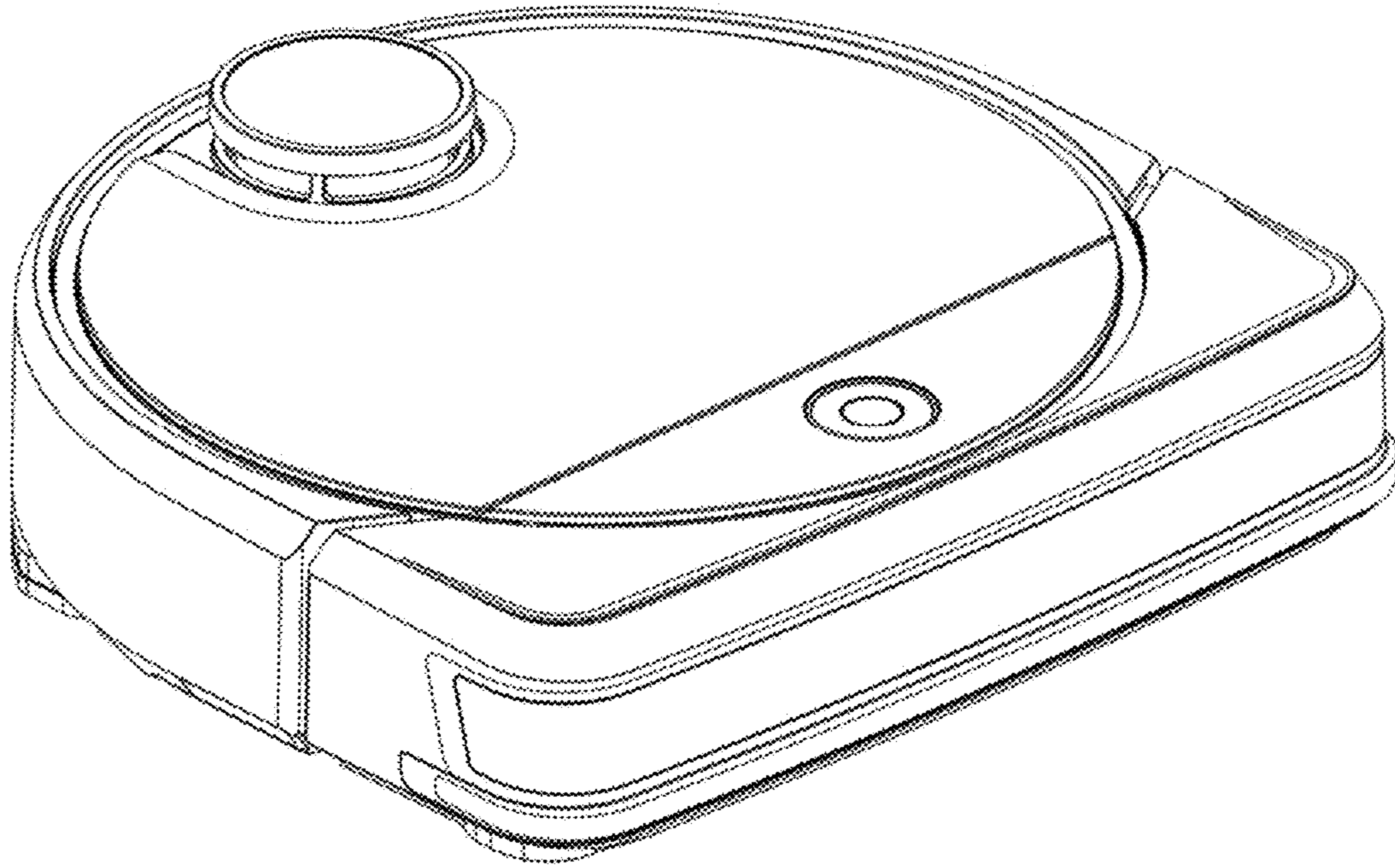


FIG. 1

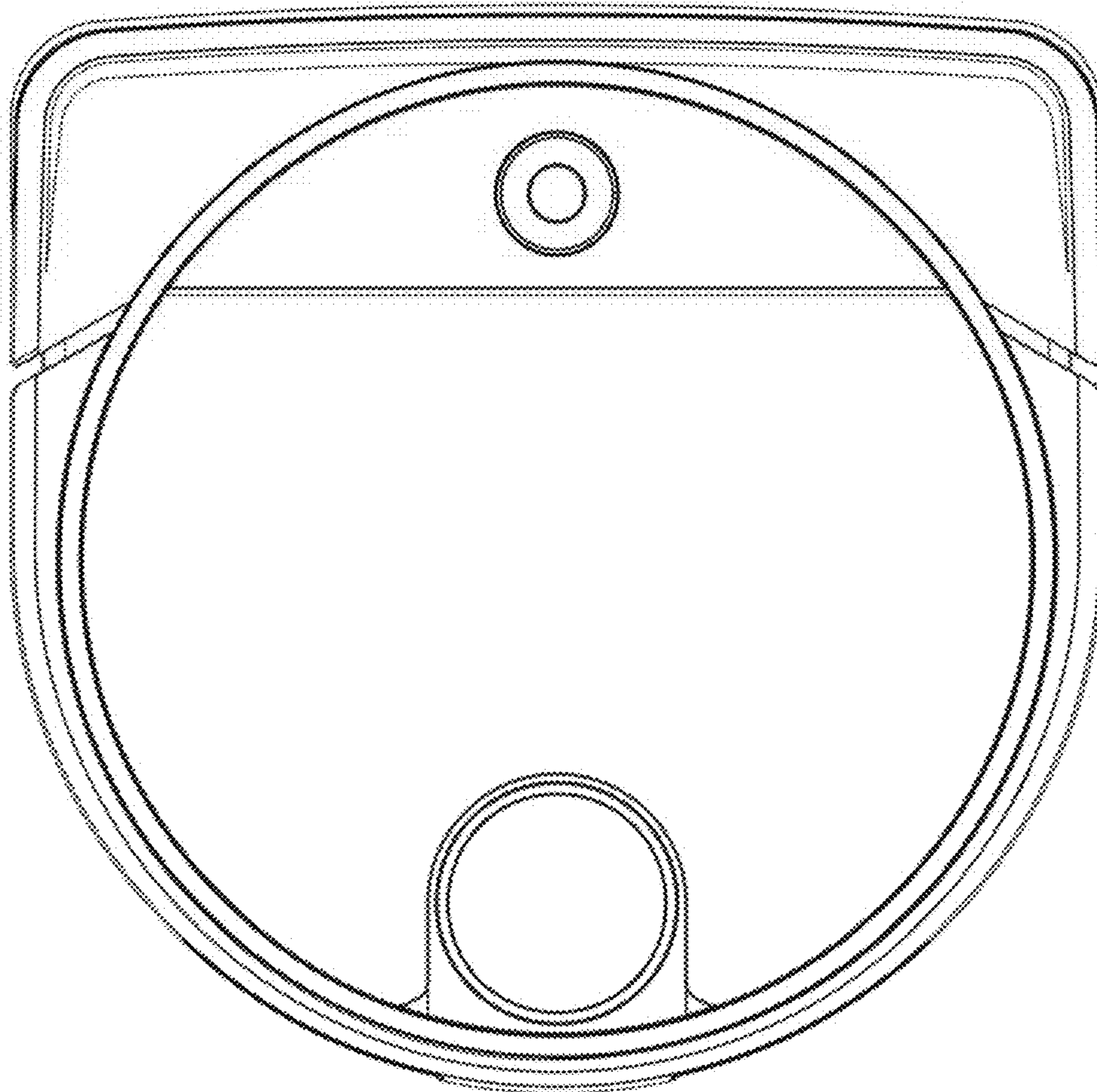


FIG. 2

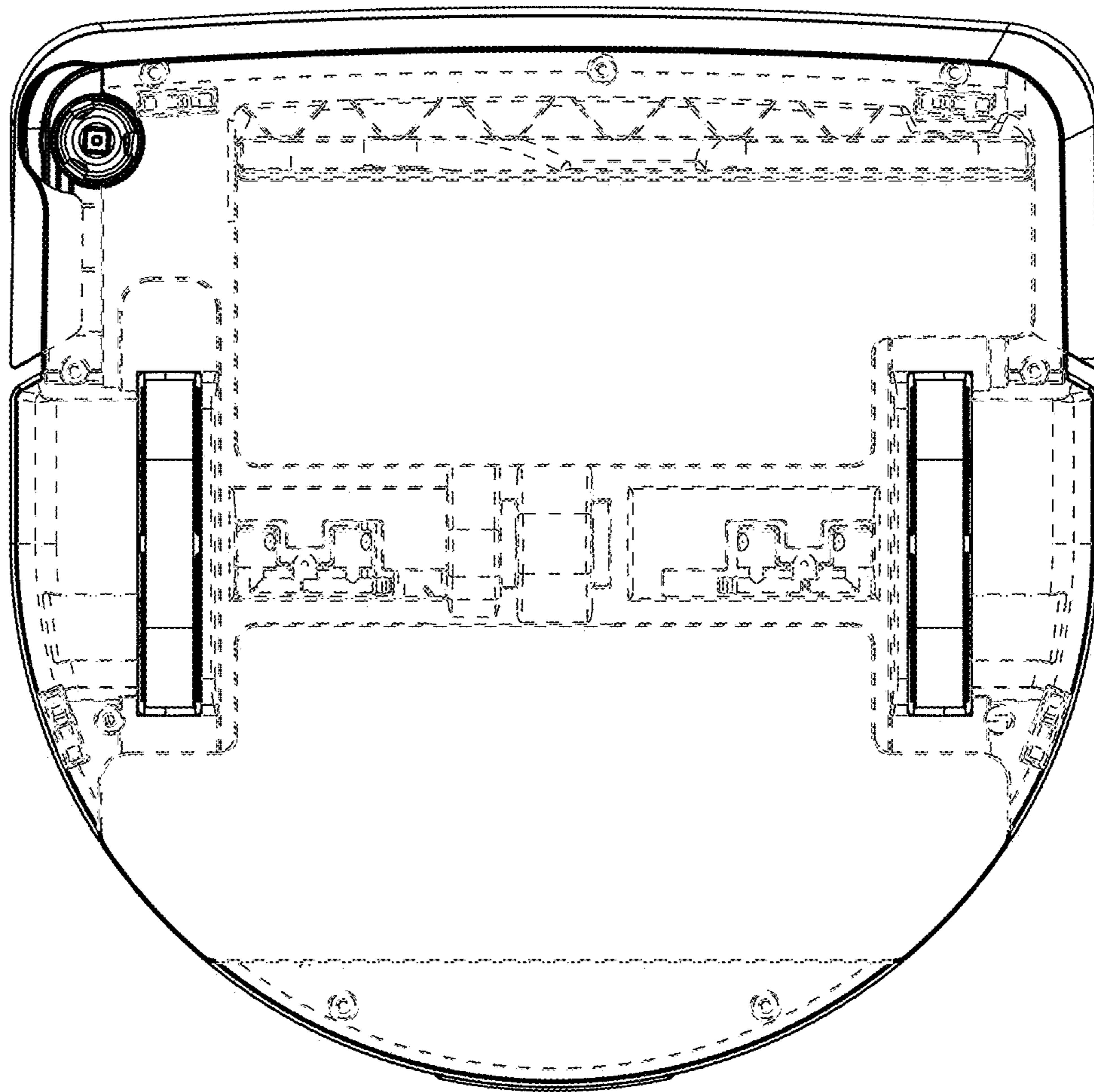


FIG. 3

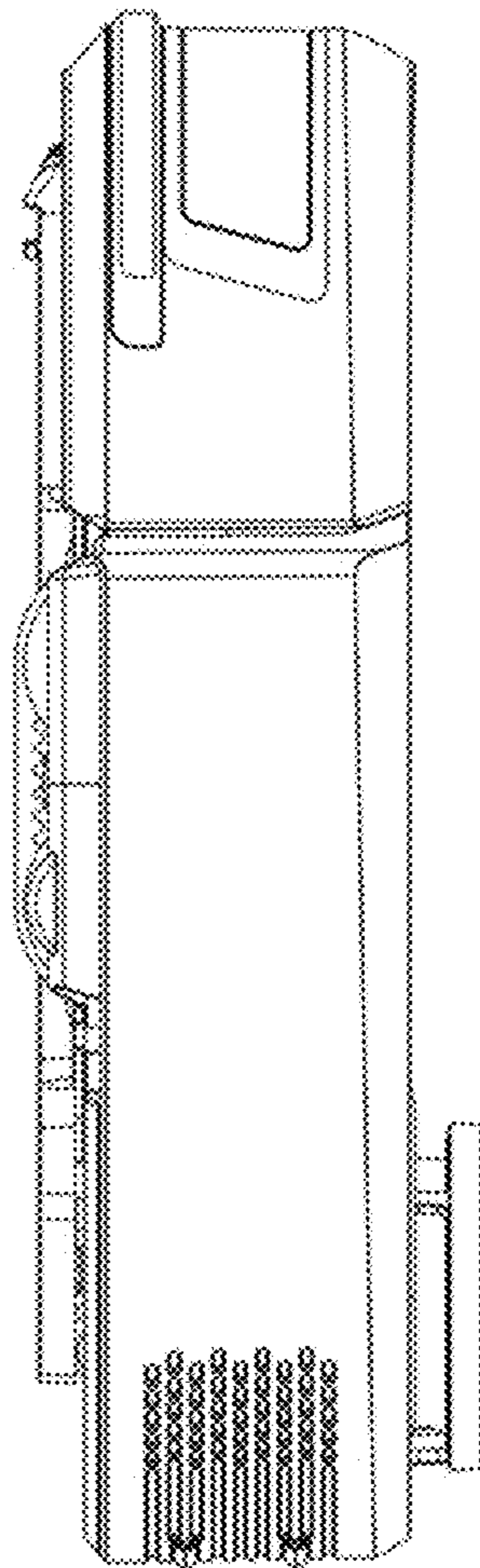


FIG. 4

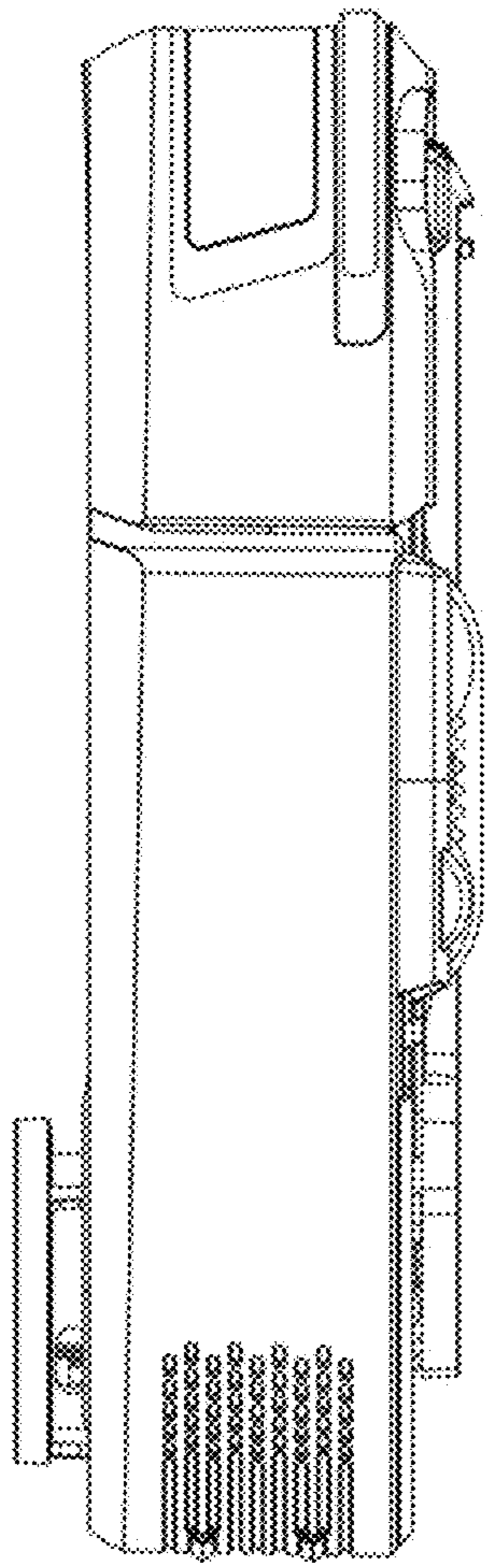


FIG. 5

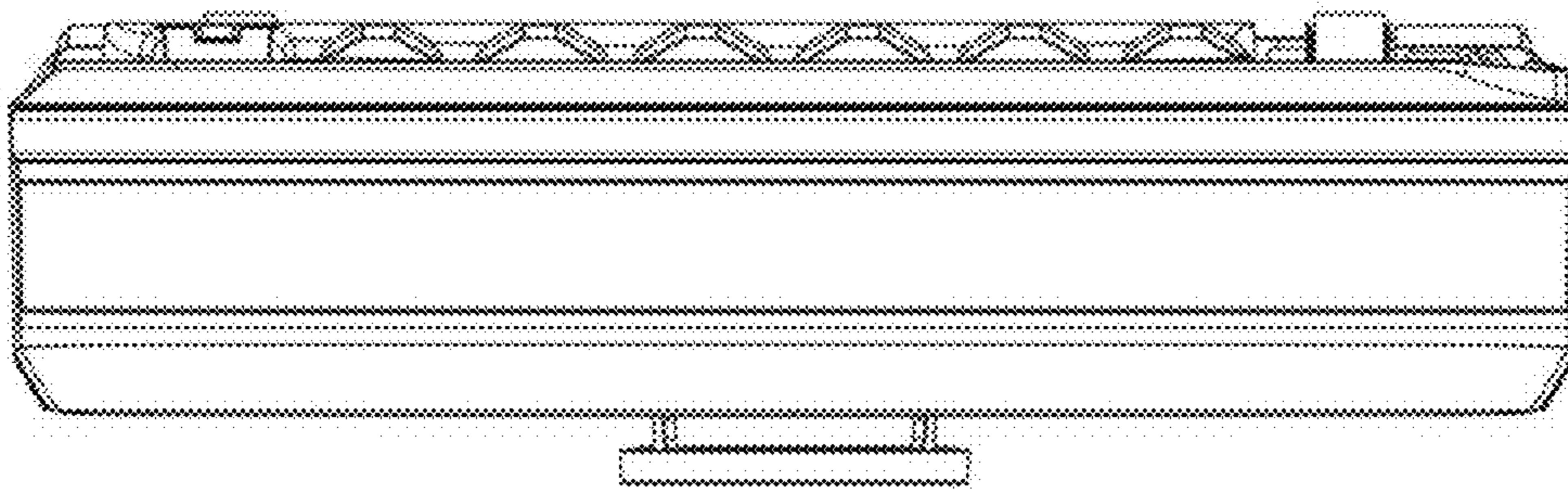


FIG. 6

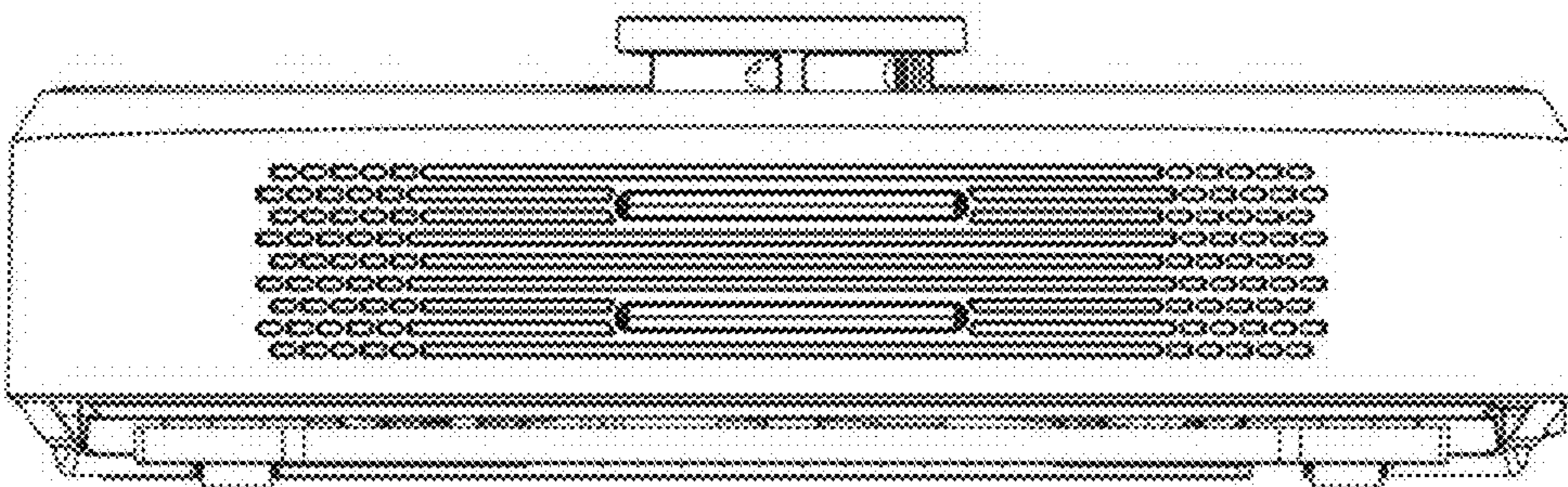


FIG. 7