



US00D987923S

(12) **United States Design Patent** (10) **Patent No.:** **US D987,923 S**
Han (45) **Date of Patent:** **** May 30, 2023**

(54) **STEAM CLEANER**

(56) **References Cited**

(71) Applicant: **Jiangsu Dayou Intelligent Manufacturing Co., LTD**, Nanjing (CN)

U.S. PATENT DOCUMENTS

(72) Inventor: **Song Han**, Nanjing (CN)

D183,178 S *	7/1958	Osborn	D32/21
D325,270 S *	4/1992	Shinozaki	D32/21
D451,653 S *	12/2001	Berreth	D06F 73/00
				D32/17
D497,693 S *	10/2004	Hecker	D32/17
D504,198 S *	4/2005	Hopper	D32/17
D657,921 S *	4/2012	Lee	D32/21
D783,910 S *	4/2017	Casalgrandi	D32/15
D904,704 S *	12/2020	Buckley	D32/45

(**) Term: **15 Years**

(21) Appl. No.: **35/513,872**

(22) Filed: **Jan. 29, 2022**

* cited by examiner

(80) **Hague Agreement Data**

Int. Filing Date: **Jan. 29, 2022**
Int. Reg. No.: **DM/219498**
Int. Reg. Date: **Jan. 29, 2022**
Int. Reg. Pub. Date: **Mar. 25, 2022**

Primary Examiner — Jennifer Rivard
Assistant Examiner — Jennylou M Binas

(51) **LOC (14) Cl.** **15-05**

(57) **CLAIM**

(52) **U.S. Cl.**

The ornamental design for a steam cleaner, as shown and described.

USPC **D32/17**

DESCRIPTION

(58) **Field of Classification Search**

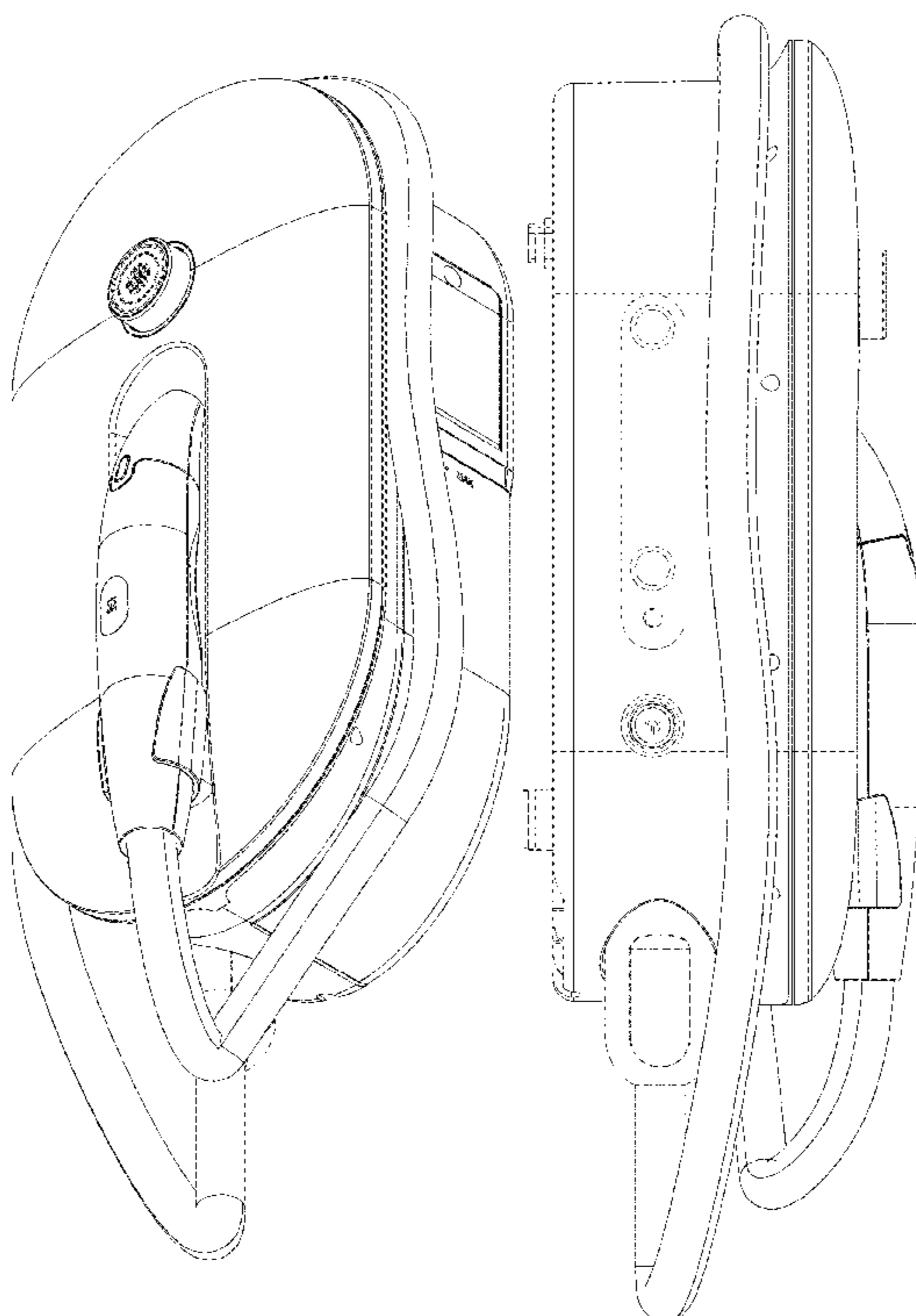
USPC D32/1, 5, 17, 21, 23; D24/217; D15/2, D15/199
CPC A47L 11/4088; A47L 11/40; A47L 7/0009; A47L 9/322; A47L 11/34; A47L 11/4075; B08B 3/026; B08B 3/02; B08B 3/04; B08B 2230/01; B08B 9/0808; D06F 34/28; D06F 34/32; D06F 39/008; D06F 39/04; D06F 5/00; D06F 58/45; D06F 71/34; G05B 15/02; G05B 19/042; G05B 19/0426

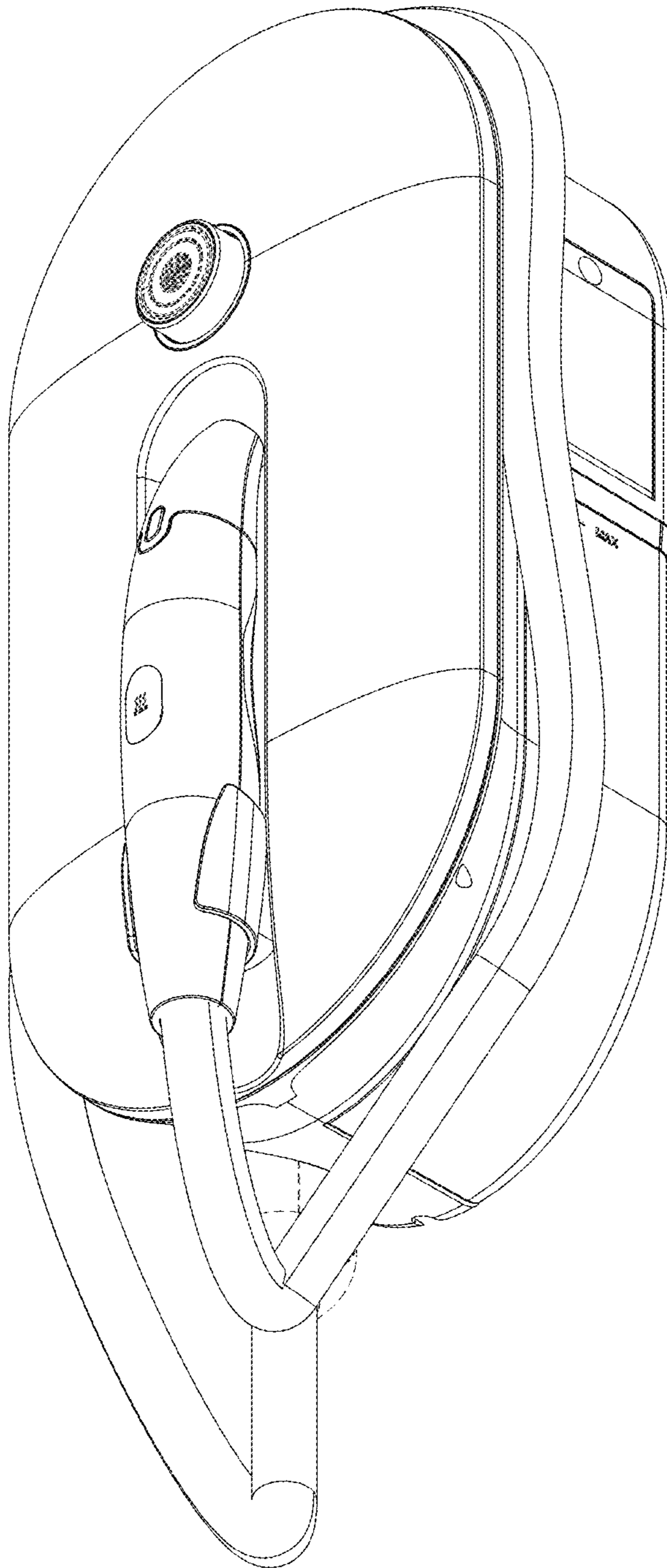
- 1. Steam cleaner
- 1.1 : Perspective
- 1.2 : Front
- 1.3 : Back
- 1.4 : Left
- 1.5 : Right
- 1.6 : Top
- 1.7 : Bottom

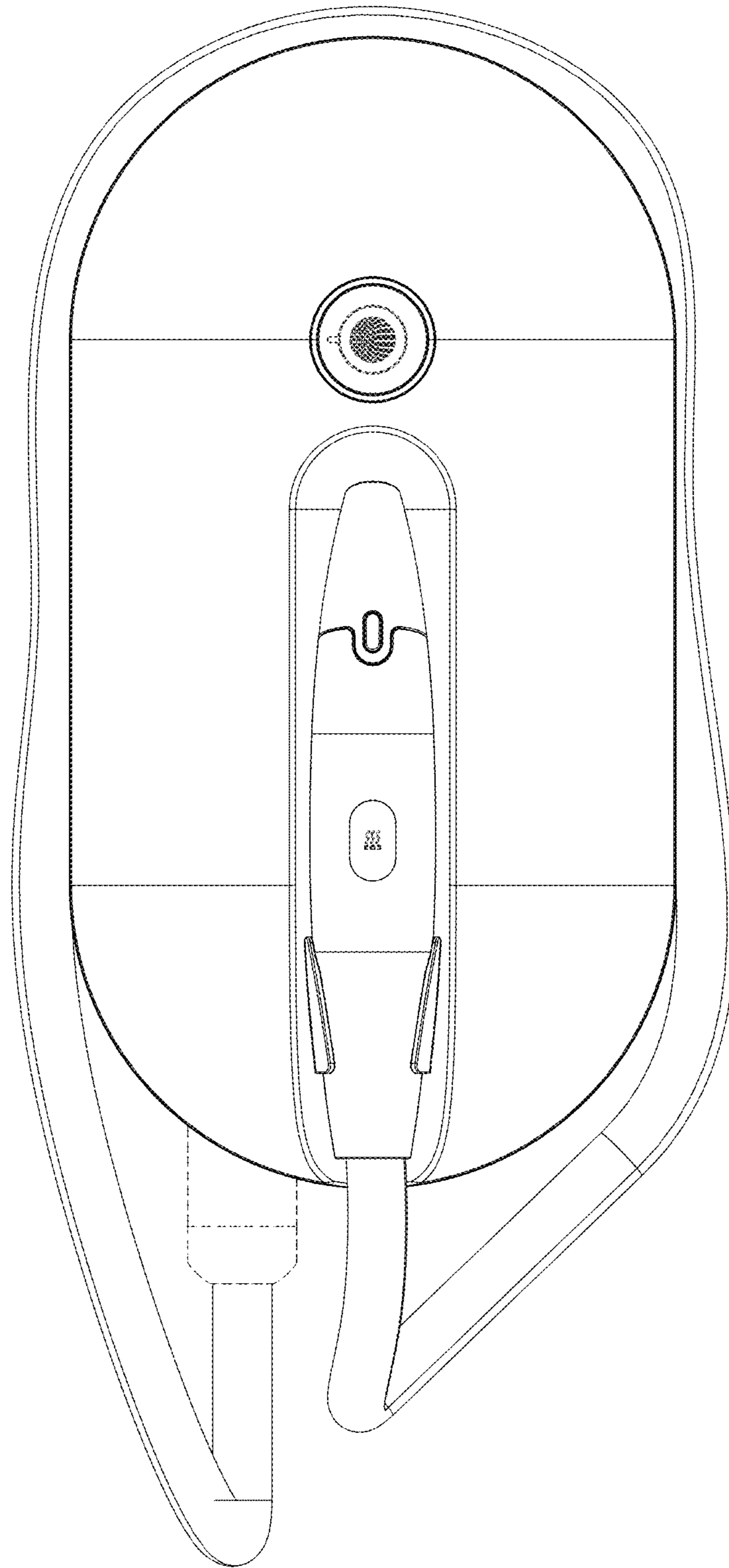
The broken lines depict portions of the steam cleaner that form no part of the claim design.

See application file for complete search history.

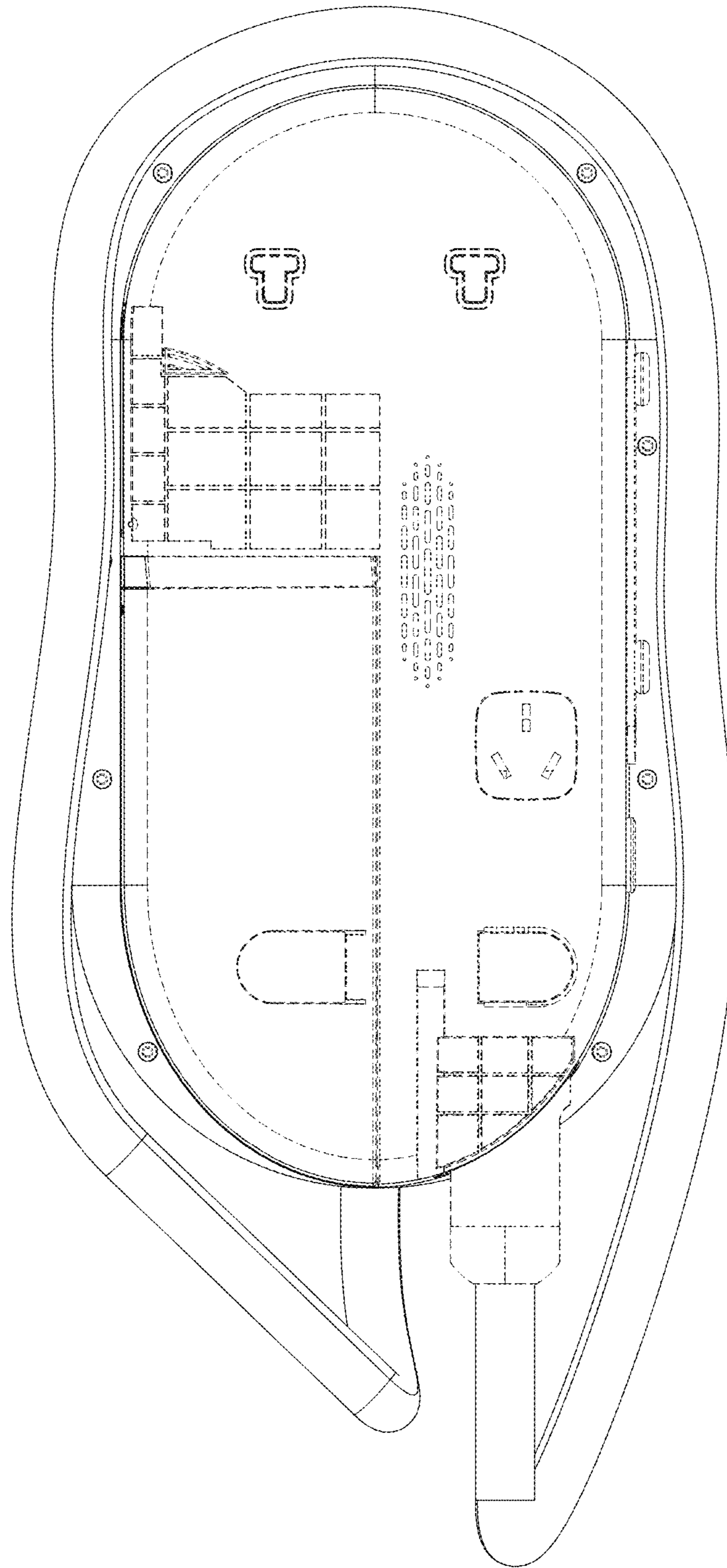
1 Claim, 7 Drawing Sheets

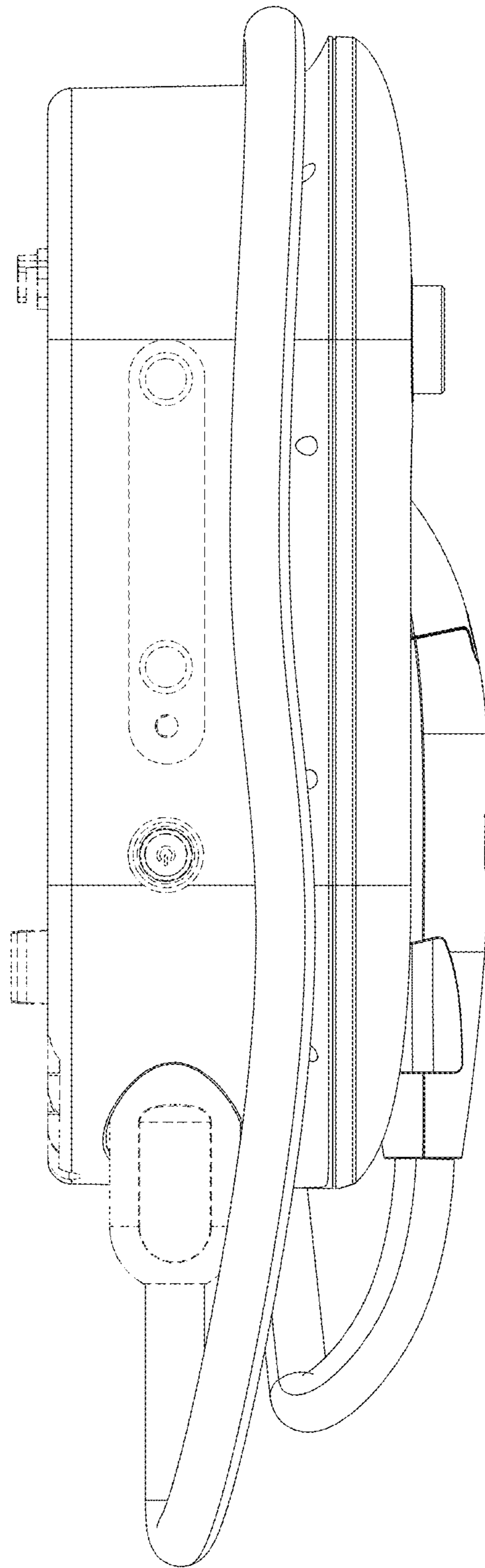


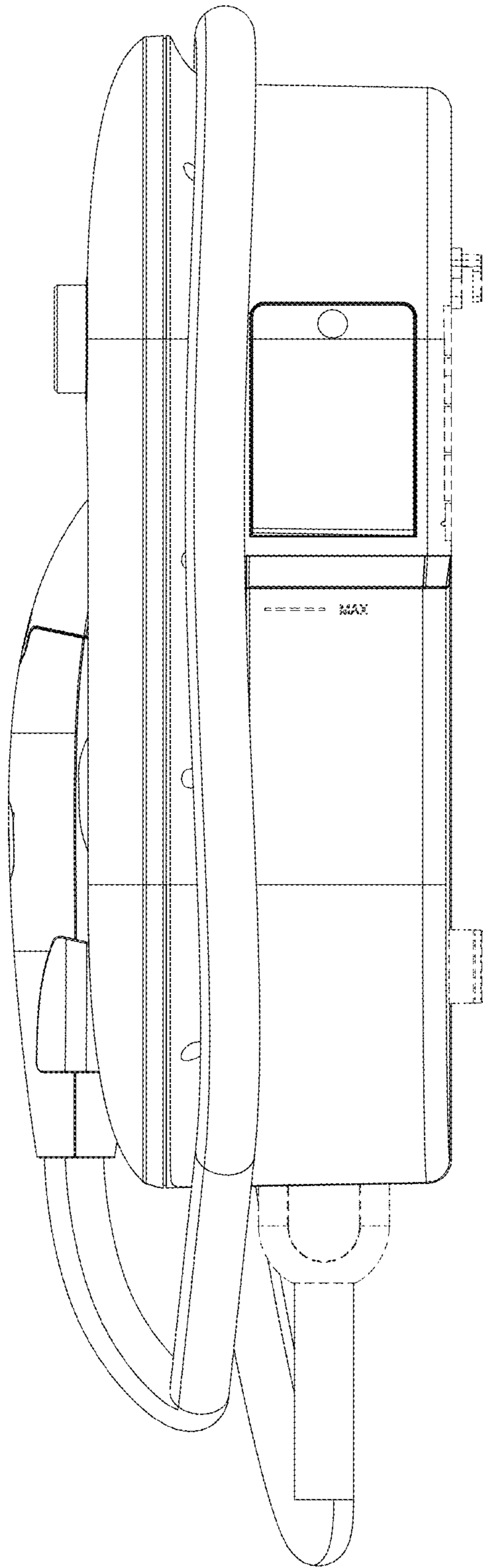


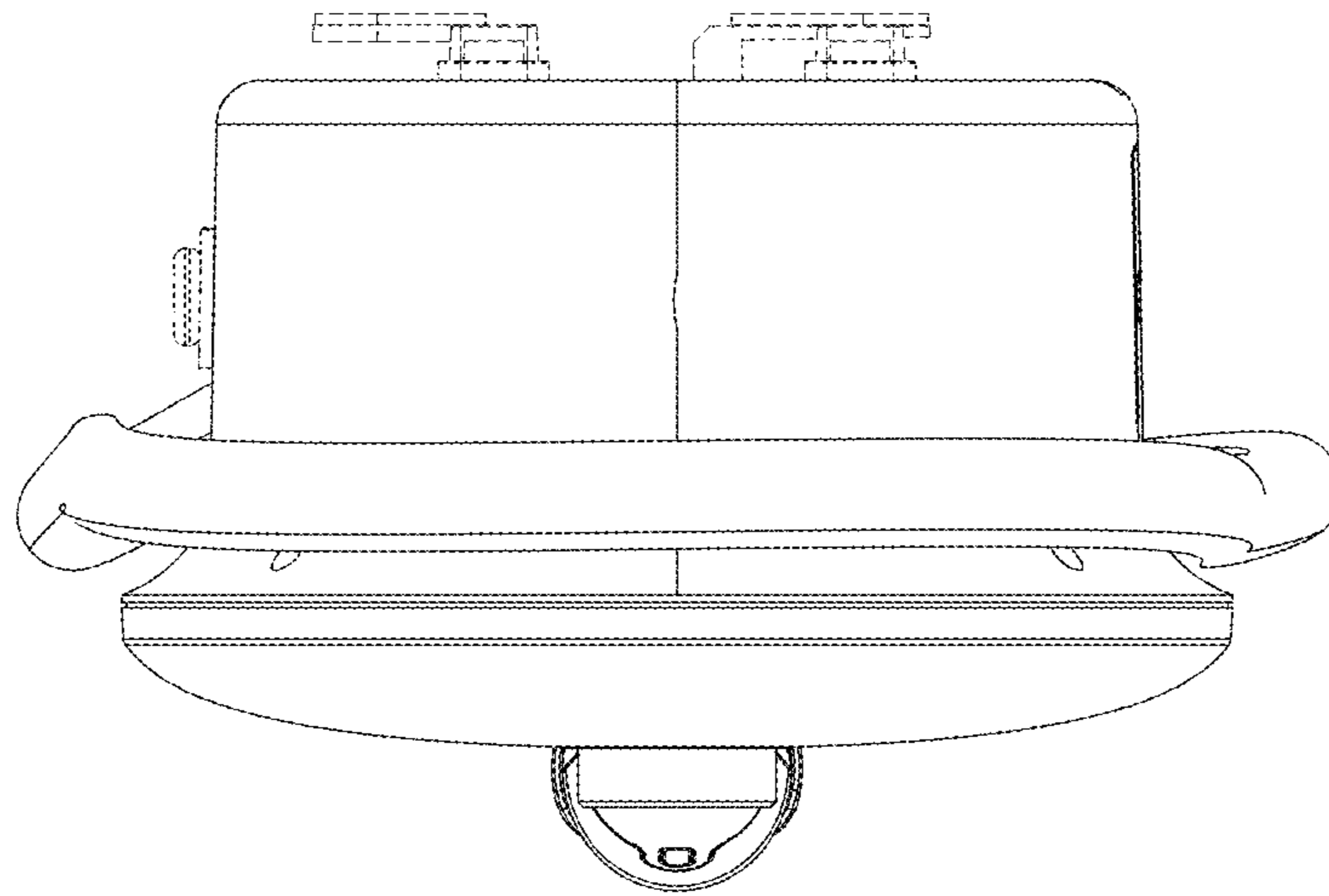


1.2

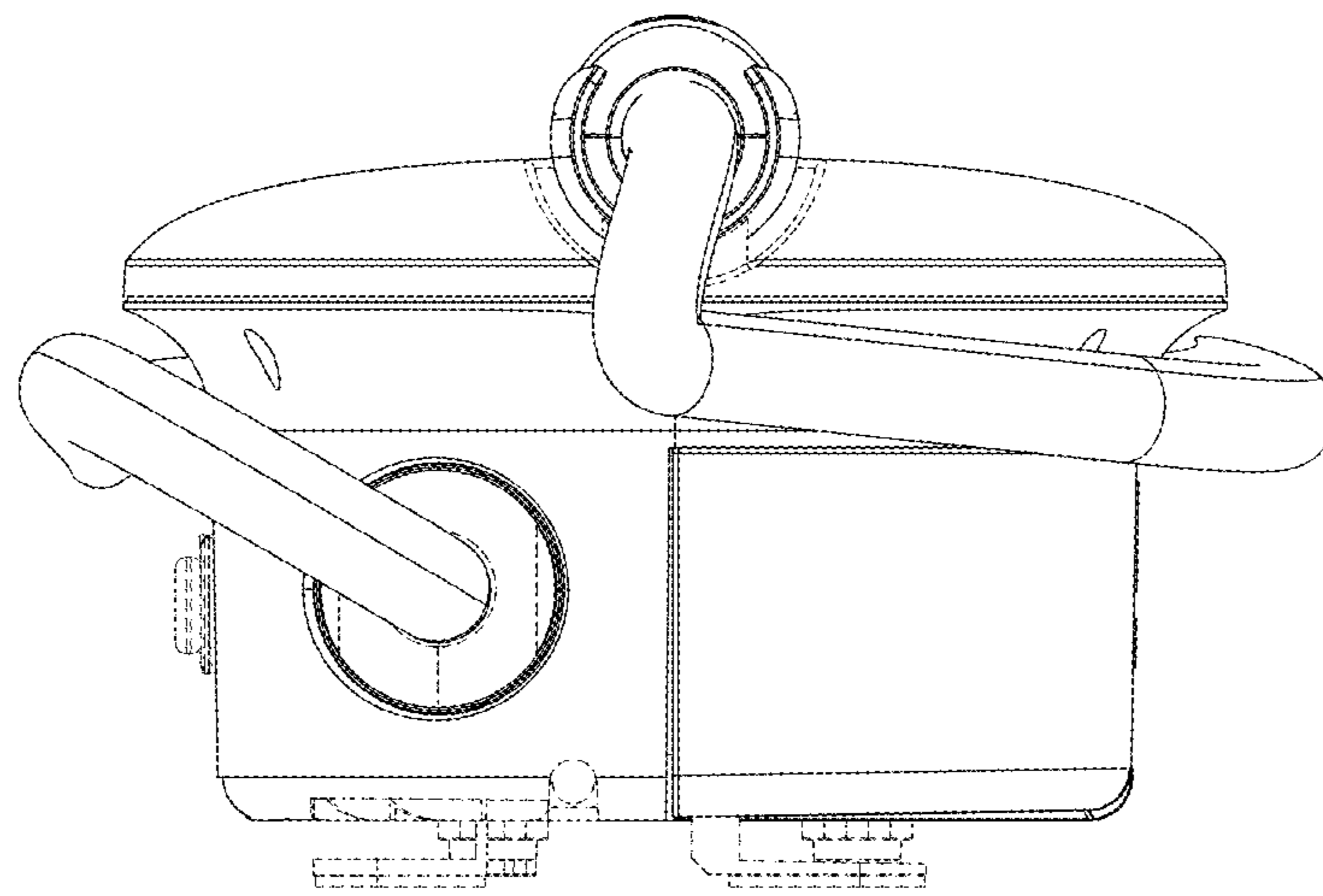








1.6



1.7