



US00D987922S

(12) **United States Design Patent** (10) **Patent No.:** **US D987,922 S**  
**Guo** (45) **Date of Patent:** **\*\* May 30, 2023**

(54) **GLASS RINSER**

FOREIGN PATENT DOCUMENTS

(71) Applicant: **Heshan Jia Hao Jia Sanitary Ware Industry Co. Ltd.**, Heshan (CN)

CN 306867740 \* 10/2021  
CN 307433923 \* 7/2022

(72) Inventor: **Liangping Guo**, Ganzhou (CN)

OTHER PUBLICATIONS

(\*\*) Term: **15 Years**

GAGALIFE Glass Rinsers for Kitchen Sink Brushed Nickel, available in Amazon.com, date first available Jan. 8, 2021 [online], [site visited Mar. 17, 2023], Available from the internet URL: <https://www.amazon.com/GAGALIFE-Kitchen-Brushed-Accessories-G86066BN/dp/B08SHT82KW> (Year: 2021).\*

(21) Appl. No.: **29/769,130**

(22) Filed: **Feb. 3, 2021**

\* cited by examiner

(51) **LOC (14) Cl.** ..... **15-05**

(52) **U.S. Cl.**

USPC ..... **D32/2; D32/3**

(58) **Field of Classification Search**

USPC ..... D32/2, 3, 16, 26; D23/213–214, 220, D23/377, 379; D7/412; D8/399

CPC ..... A47L 15/0065; A47L 15/0076; A47L 15/0089; A47L 15/14; A47L 15/4214; B08B 3/02; B08B 9/34

See application file for complete search history.

*Primary Examiner* — Jennifer Rivard

*Assistant Examiner* — Jennylou M Binas

(74) *Attorney, Agent, or Firm* — Novoclaims Patent Services LLC; Mei Lin Wong

(57) **CLAIM**

The ornamental design for a glass rinser, as shown and described.

**DESCRIPTION**

(56) **References Cited**

U.S. PATENT DOCUMENTS

D344,819 S *	3/1994	Schober	.....	D32/3
D748,351 S *	1/2016	Baldwin	.....	D32/3
D761,056 S *	7/2016	Kemker	.....	D7/378
D770,228 S *	11/2016	Pan	.....	D7/378
D836,262 S *	12/2018	Lee	.....	D32/3
D910,939 S *	2/2021	Nam	.....	D32/3
D957,764 S *	7/2022	Kwong	.....	A47L 17/02
				D32/2
D960,310 S *	8/2022	Chen	.....	D23/214
2018/0092505 A1 *	4/2018	Simon	.....	B05B 9/0403
2022/0389693 A1 *	12/2022	Cipriani	.....	A47L 15/0086

FIG. 1 is a top perspective view of a glass rinser showing my new design;

FIG. 2 is a bottom perspective view thereof;

FIG. 3 is a front view thereof;

FIG. 4 is a rear view thereof;

FIG. 5 is a left side view thereof;

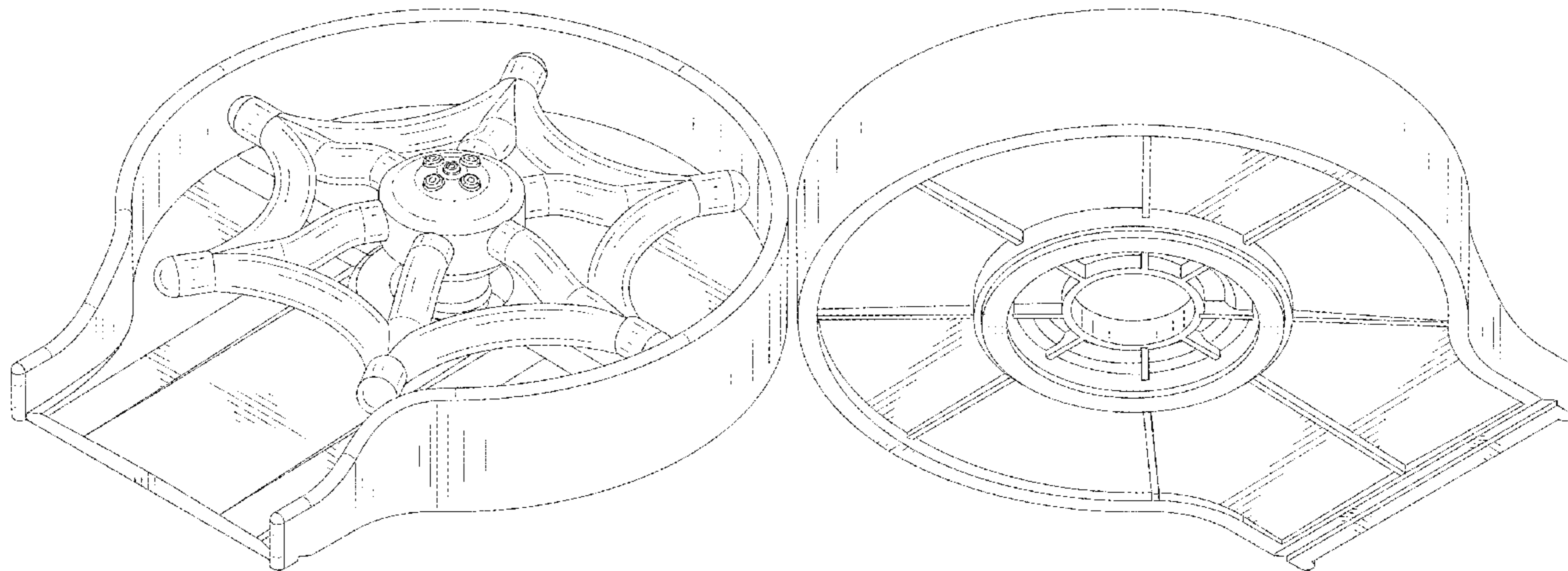
FIG. 6 is a right side view thereof;

FIG. 7 is a top view thereof; and,

FIG. 8 is a bottom view thereof.

The broken lines depict portions of the glass rinser that form no part of the claimed design.

**1 Claim, 8 Drawing Sheets**



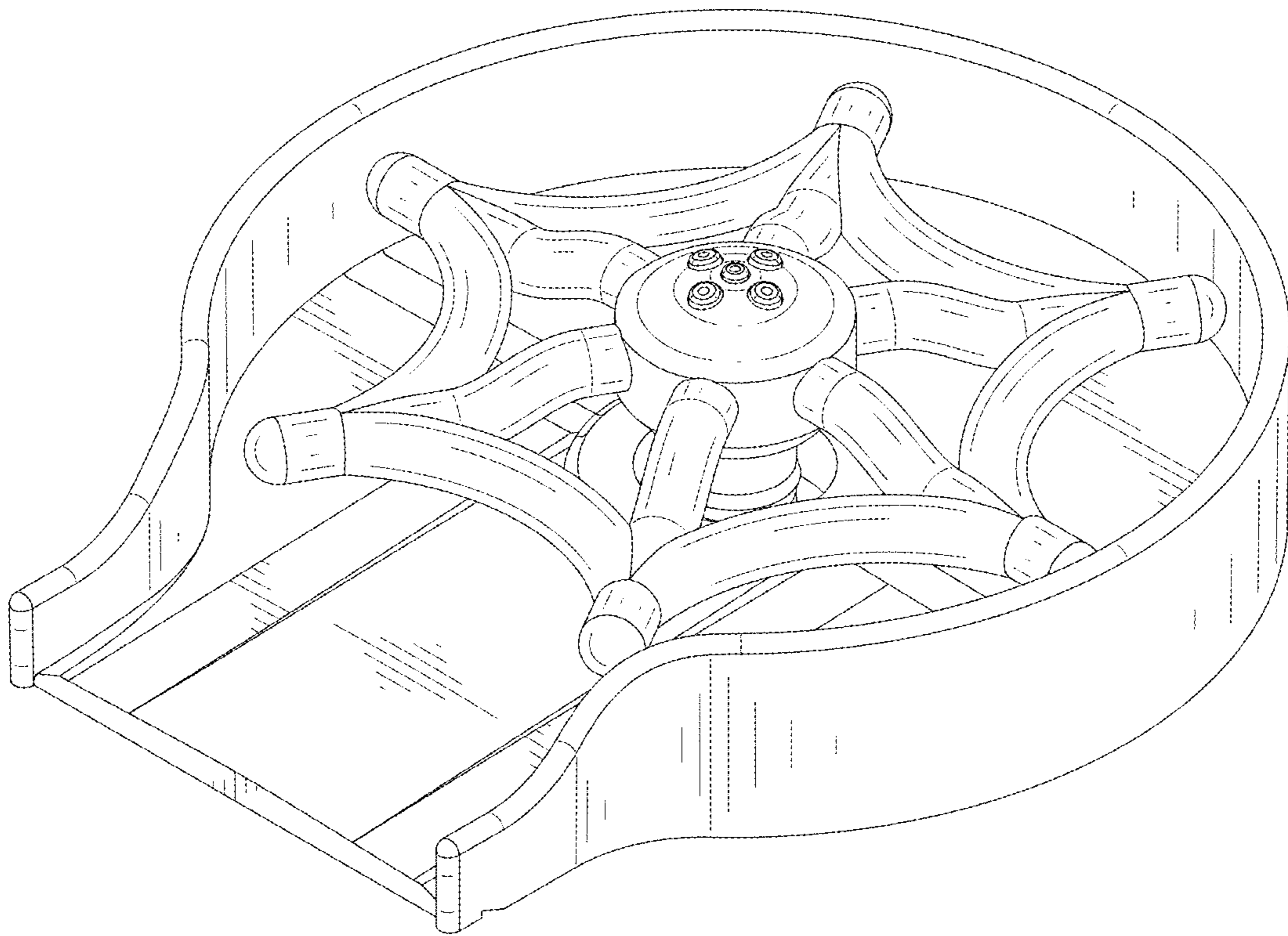


FIG.1

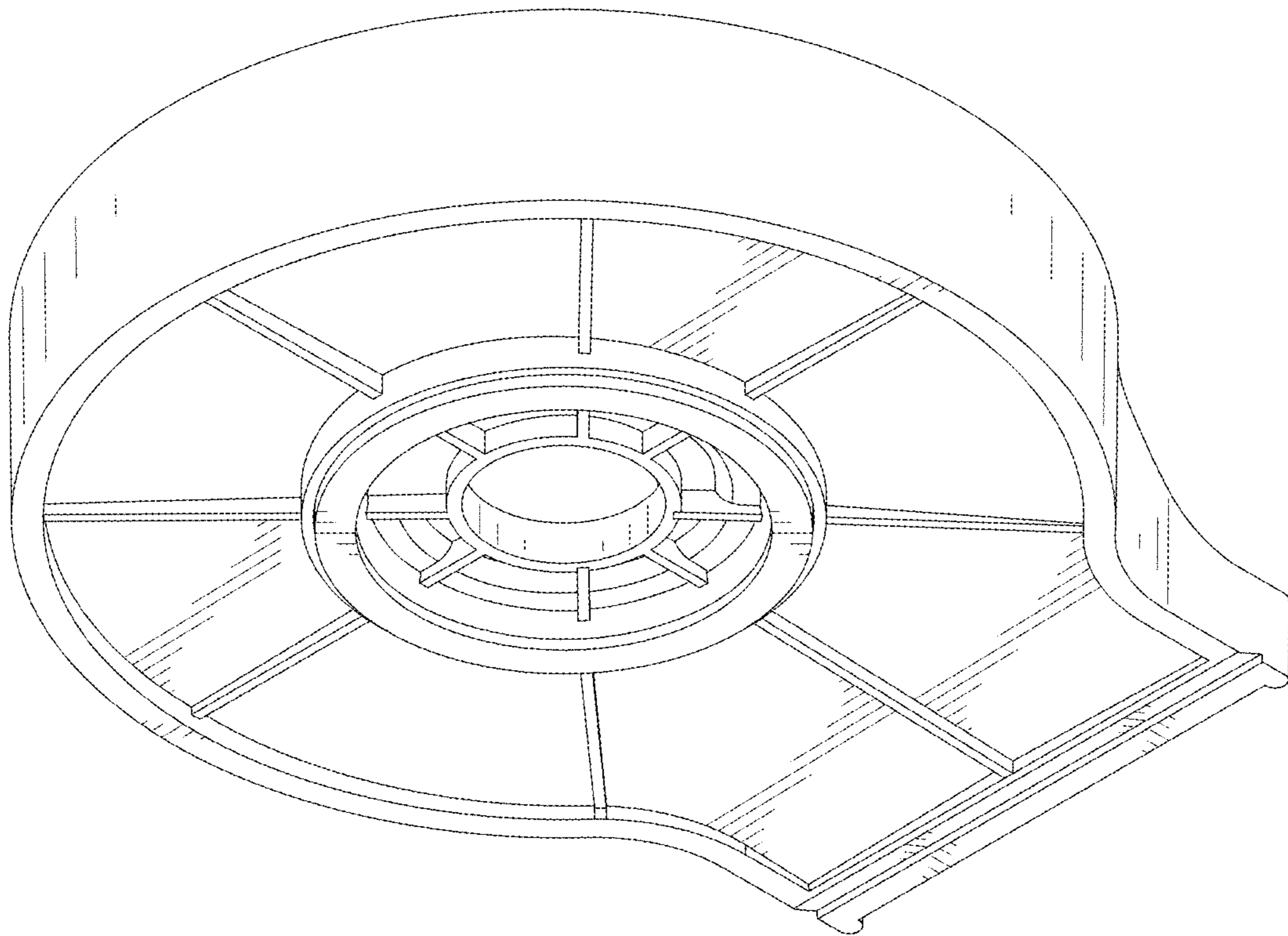


FIG.2

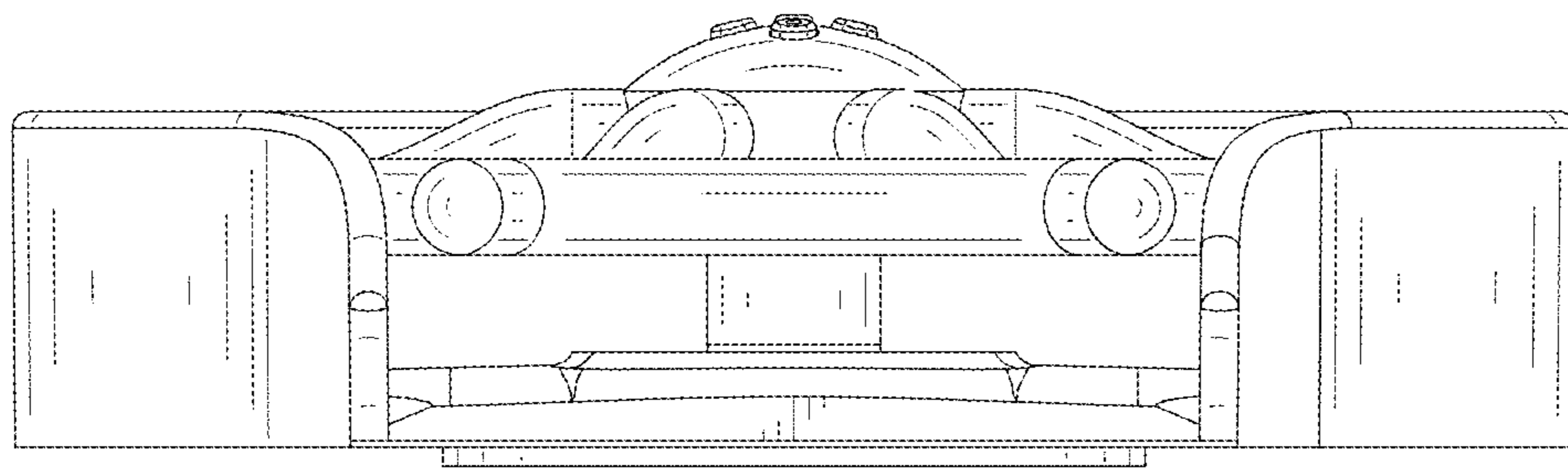


FIG.3

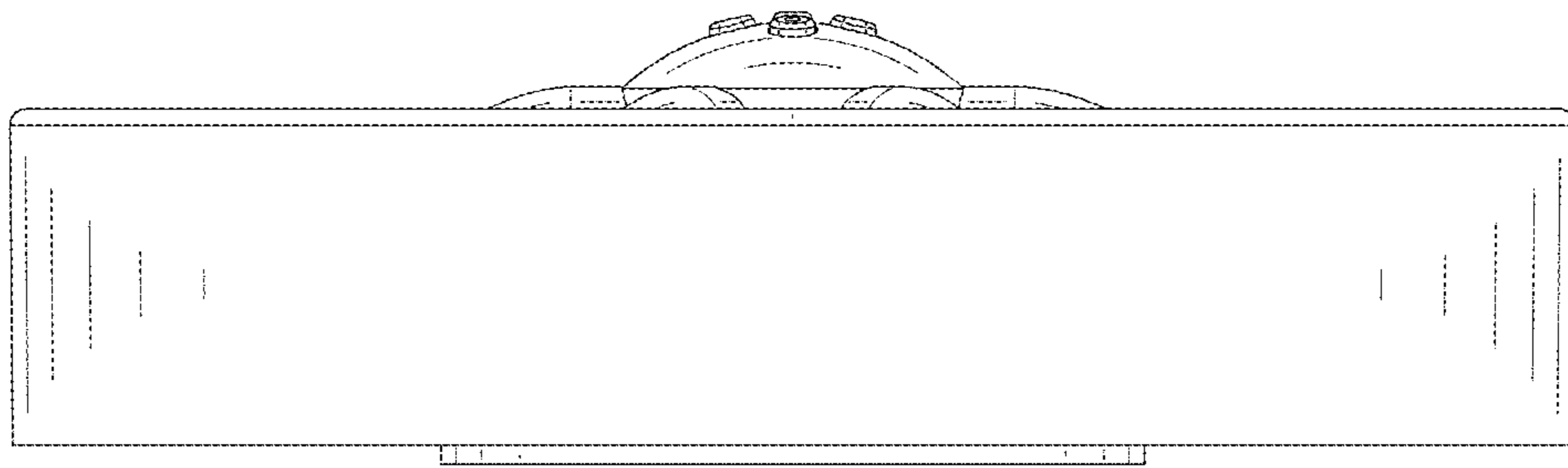


FIG.4

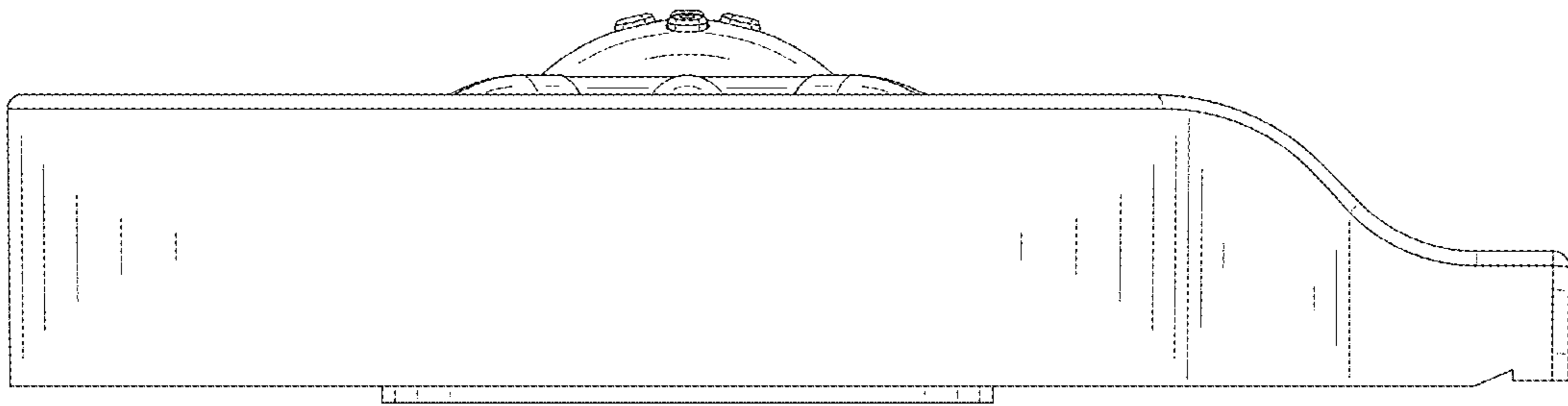


FIG.5



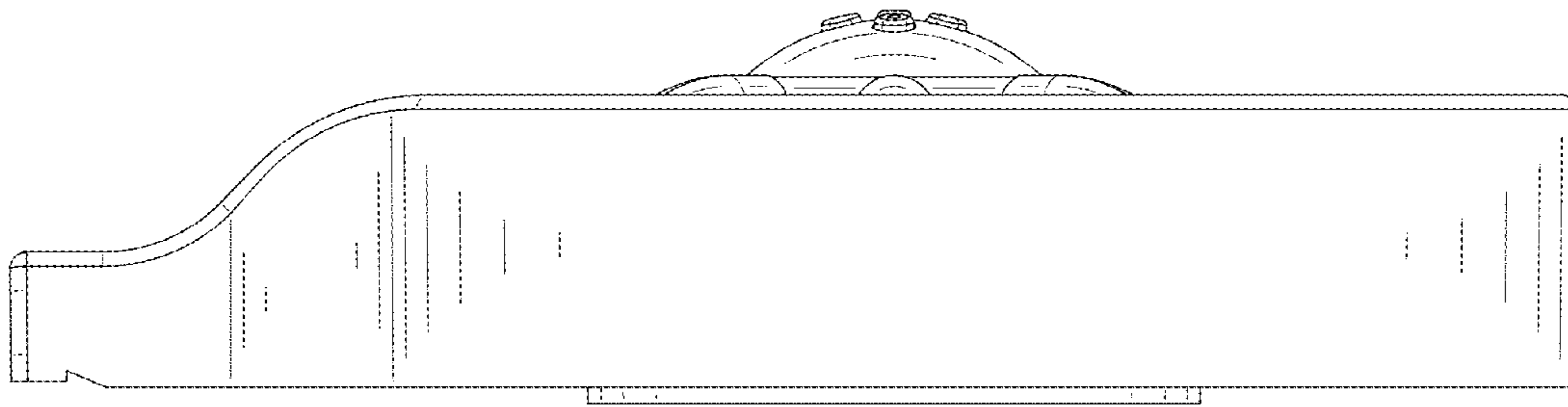


FIG.6

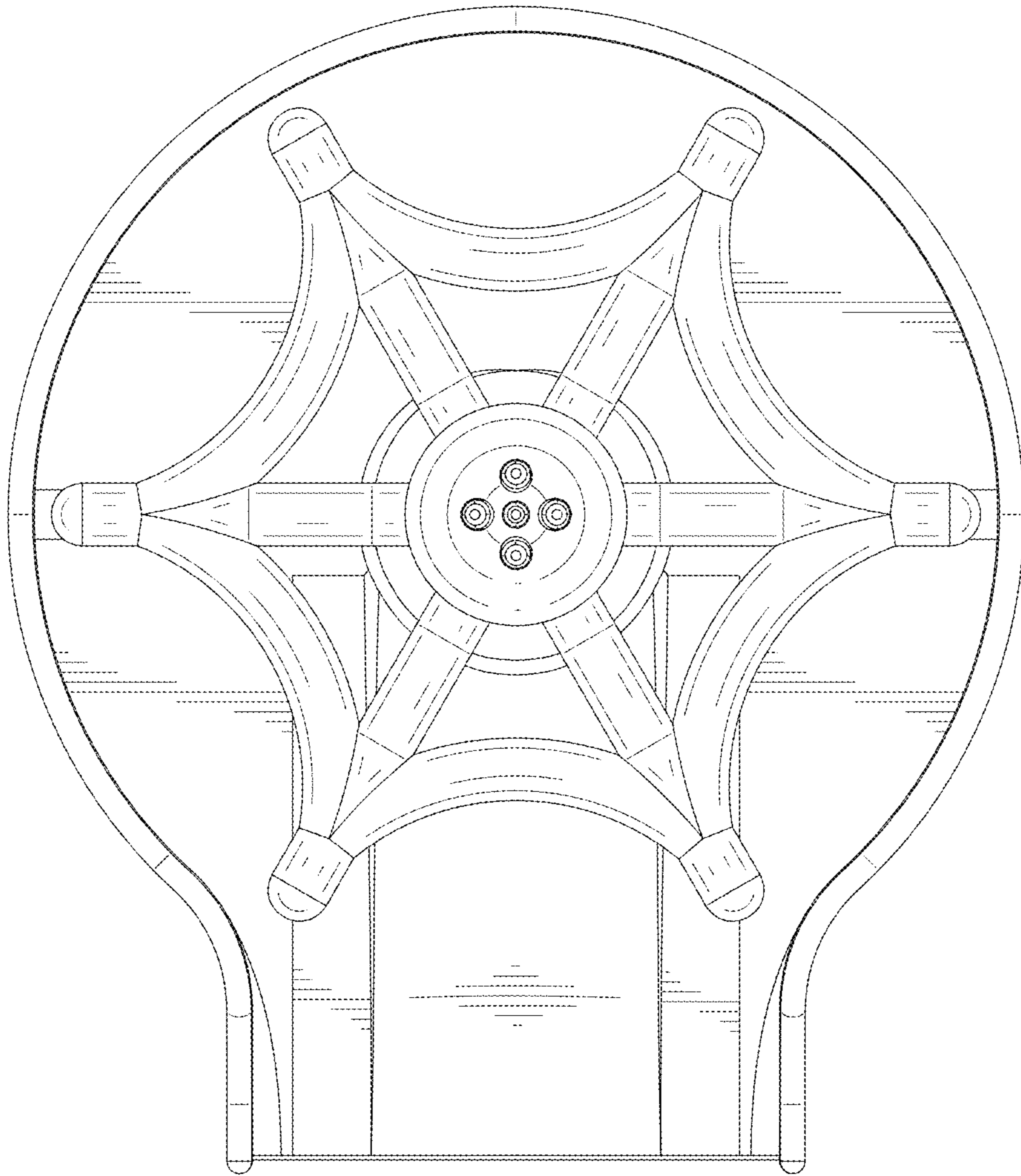


FIG.7



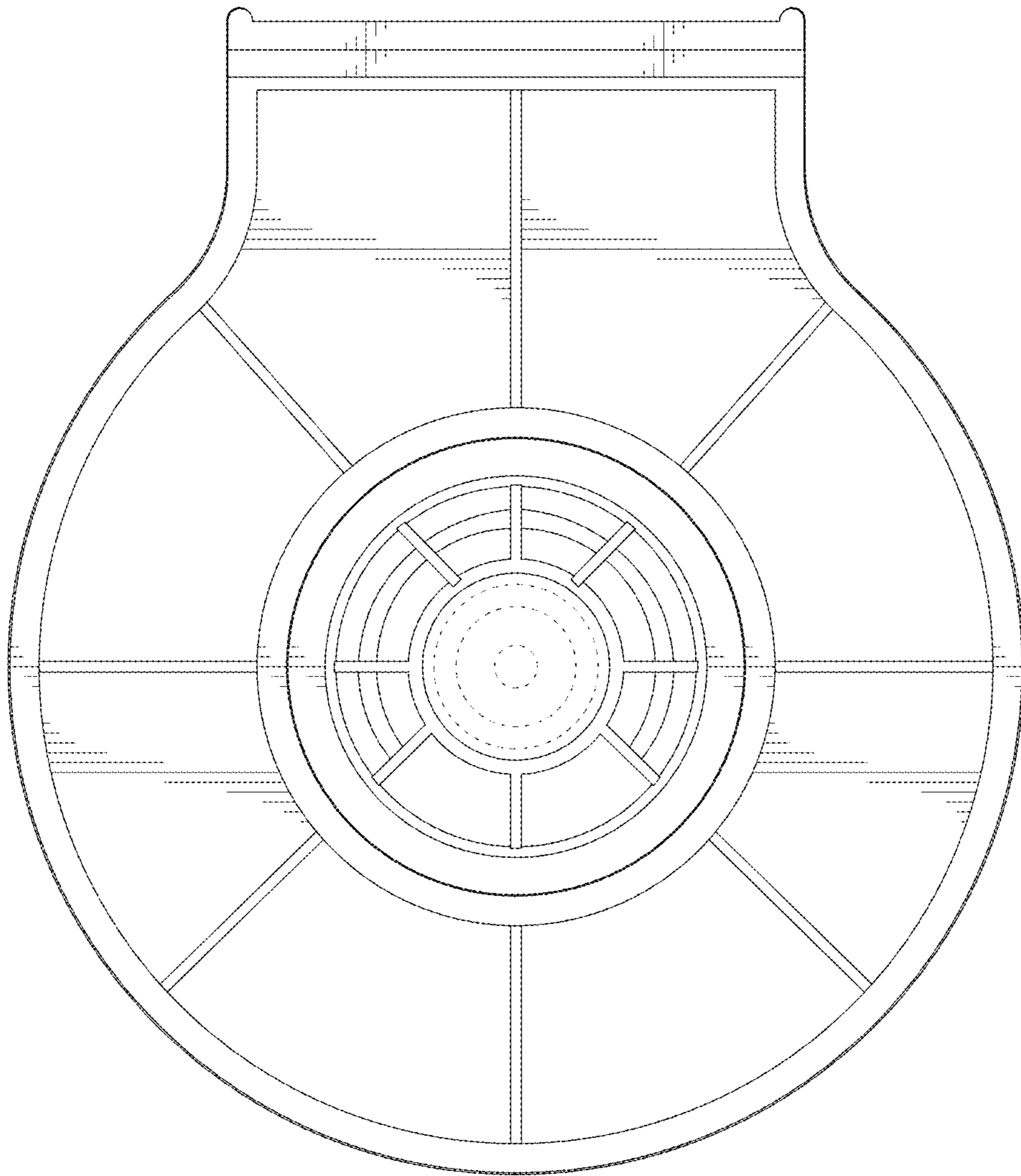


FIG. 8