



US00D987920S

(12) **United States Design Patent**  
**Xia**

(10) **Patent No.:** **US D987,920 S**  
(45) **Date of Patent:** **\*\* May 30, 2023**

(54) **RECEIVER FOR DOG TRAINING COLLAR**

(71) Applicant: **Beidi Technology (Shenzhen) Co., Ltd.**, Shenzhen (CN)

(72) Inventor: **Xianrong Xia**, Hunan (CN)

(73) Assignee: **Beidi Technology (Shenzhen) Co., Ltd.**, Shenzhen (CN)

(\*\*) Term: **15 Years**

(21) Appl. No.: **29/807,920**

(22) Filed: **Sep. 15, 2021**

(51) **LOC (14) Cl.** ..... **30-99**

(52) **U.S. Cl.**  
USPC ..... **D30/199; D10/104.1**

(58) **Field of Classification Search**  
USPC ..... D30/151-155, 144, 199, 160;  
119/792-798, 850, 855-859, 863-865,  
119/654, 905, 907, 815, 712, 802, 784,  
119/769, 760, 776, 862, 908, 860,  
119/719-721; 242/381.1-381.2, 385.4,  
242/378.3, 376.1, 385.1, 916, 601, 570,  
242/405, 404, 371, 223, 170, 388.1,  
242/405.2, 377, 381.3, 381.6, 405.3,  
242/388.6, 384.7, 382, 396.1, 404.1, 380;  
362/108; 33/767, 769, 414; D12/400;  
D3/229, 230, 207, 208, 215; 40/1.5, 455,  
40/640, 303; 206/63.3, 459.5, 702, 408;  
D6/515; D8/358, 360, 347, 360.1, 359,  
D8/356, DIG. 1; D24/145, 167, 186, 146,  
D24/169; D10/57, 72, 106.1, 104.1,  
D10/104.2, 109.2, 70, 97, 98, 78, 65;  
D20/28; 224/666, 678; 16/445; 283/74,  
283/70; D11/232, 200, 216, 1, 2, 86, 87,  
D11/201, 206-210, 212-215, 218;  
24/163 K, 122.3, 323, 702, 600.4-600.7,  
24/163 R, 169-171, 173, 177-179, 191,  
24/194, 195, 197, 200, 303, 616, 635,  
24/313, 615, 3, 6, 3 K, 599.2, 96, 221,

24/237, 311, 312, 314, 321, 338, 339,  
24/309; 428/3, 4; 54/76, 1, 71; 63/29.1,  
63/3; 191/12.2 R, 12.4; D13/154, 153,  
D13/137.4, 155, 103, 168; D19/69, 67;  
379/438; 446/26; 473/576; D22/140;  
174/135; 439/504, 13, 501; D34/33;  
188/83, 82.1, 65.1; 254/134.3 FT;  
D29/124; D2/627, 624, 633, 625;  
132/145, 146, 148; 2/314; 59/79.1;  
340/573.3, 573.1, 573, 573.4,  
340/539.13-539.19; 343/895;  
278/8 AES; 231/7; 361/232; D14/344,  
D14/341, 137, 155, 496, 203.5, 203.3,  
(Continued)

(56) **References Cited**

U.S. PATENT DOCUMENTS

D400,458 S \* 11/1998 Titus ..... D10/104.1  
D520,894 S \* 5/2006 Zakharyan ..... D30/199  
(Continued)

*Primary Examiner* — Susan Moon Lee  
(74) *Attorney, Agent, or Firm* — Jeenam Park

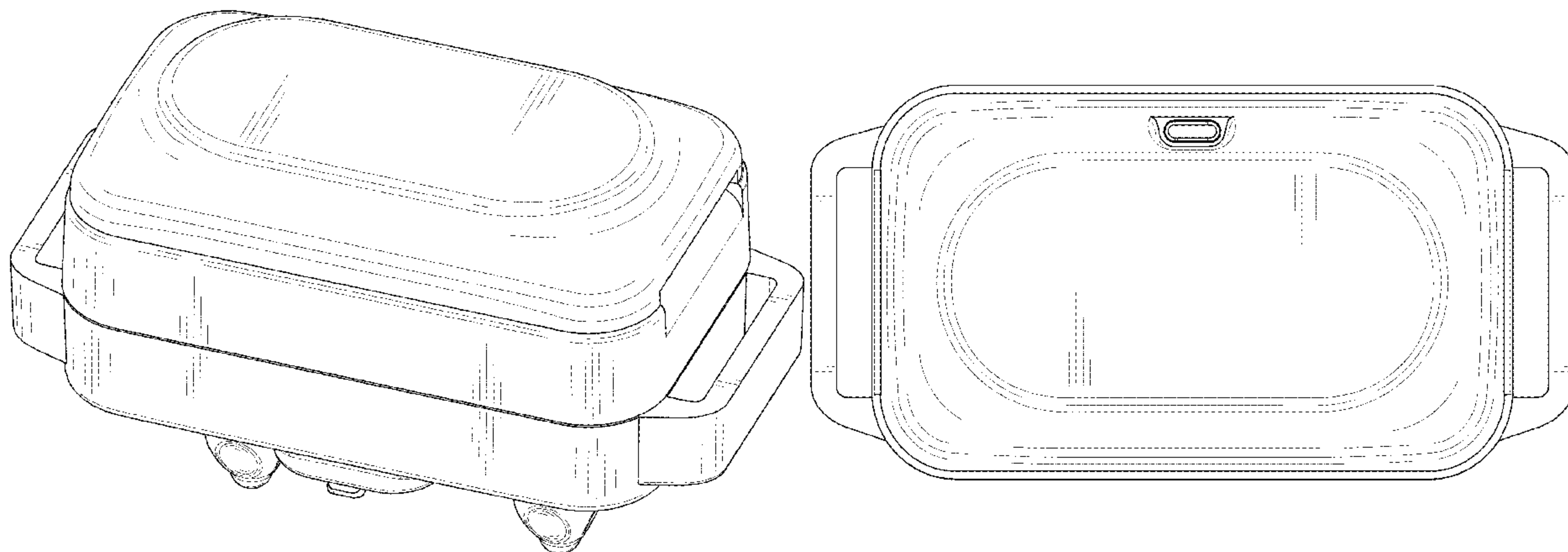
(57) **CLAIM**

The ornamental design for a receiver for dog training collar,  
as shown and described.

**DESCRIPTION**

FIG. 1 is a front, right and top perspective view of a receiver for dog training collar, showing my design.  
FIG. 2 is a rear, left and bottom perspective view thereof.  
FIG. 3 is a front elevation view thereof.  
FIG. 4 is a rear elevation view thereof.  
FIG. 5 is a left side elevation view thereof.  
FIG. 6 is a right side elevation view thereof.  
FIG. 7 is a top plan view thereof; and,  
FIG. 8 is a bottom plan view thereof.

**1 Claim, 8 Drawing Sheets**



(58) **Field of Classification Search**

USPC ..... D14/144, 218, 188, 216, 192;  
 342/357.51, 357.57, 357.52, 357.55;  
 455/100, 352, 456.1, 550.1; 315/291  
 CPC .... A01K 15/021; A01K 15/02; A01K 15/022;  
 A01K 15/023; A01K 15/029; A01K  
 15/04; A01K 15/00; A01K 15/006; A01K  
 12/022; A01K 27/009; A01K 27/00;  
 A01K 27/001; A01K 27/006-008; A01K  
 29/005; A01K 29/00; A61B 5/0002-0028;  
 A61B 5/681; A61B 5/6822; A61B  
 5/6824; A61B 5/6829; G01S 5/0294

See application file for complete search history.

(56) **References Cited**

U.S. PATENT DOCUMENTS

D526,590 S \* 8/2006 So ..... D10/104.1  
 D541,689 S \* 5/2007 Meyers ..... D10/118  
 D631,552 S \* 1/2011 Kasabach ..... D24/186  
 D632,853 S \* 2/2011 Hardi ..... D30/155  
 7,996,983 B2 \* 8/2011 Lee, IV ..... A01K 27/009  
 29/595  
 D673,334 S \* 12/2012 Guo ..... D30/152  
 8,803,692 B2 \* 8/2014 Goetzl ..... A01K 27/009  
 340/573.3  
 D714,498 S \* 9/2014 Khubani ..... D30/152  
 D715,675 S \* 10/2014 Ma ..... D11/3  
 D726,052 S \* 4/2015 Henning ..... D10/70  
 D772,745 S \* 11/2016 Henne ..... D10/70  
 9,861,080 B1 \* 1/2018 Hathway ..... A01K 27/001  
 D811,385 S \* 2/2018 Hosoda ..... D14/341  
 D812,499 S \* 3/2018 Kuh ..... D10/70  
 D829,120 S \* 9/2018 Mitchell ..... D10/104.1  
 D834,769 S \* 11/2018 Wen ..... D10/104.1  
 D835,533 S \* 12/2018 Zheng ..... D10/70  
 10,154,651 B2 \* 12/2018 Goetzl ..... A01K 15/021  
 D854,760 S \* 7/2019 Mott ..... D10/70  
 D858,904 S \* 9/2019 Zinn ..... D10/104.1  
 D865,301 S \* 10/2019 Eidelman ..... D30/152  
 D865,546 S \* 11/2019 Kellock ..... D10/70  
 D880,082 S \* 3/2020 Zinn ..... D30/152  
 D888,353 S \* 6/2020 Lan ..... D10/104.1

D895,908 S \* 9/2020 Yan ..... D14/188  
 D898,307 S \* 10/2020 Yang ..... D10/104.1  
 D898,613 S \* 10/2020 Stapleton ..... D11/216  
 D899,012 S \* 10/2020 Zinn ..... D30/152  
 D906,845 S \* 1/2021 Larsen ..... D10/46  
 D907,358 S \* 1/2021 Levy ..... D3/205  
 D910,306 S \* 2/2021 Chui ..... D3/205  
 D912,666 S \* 3/2021 Bournique ..... D14/344  
 D919,201 S \* 5/2021 Wang ..... D10/104.1  
 D925,141 S \* 7/2021 Lai ..... D10/104.1  
 D929,682 S \* 8/2021 Li ..... D10/104.1  
 11,094,224 B2 \* 8/2021 Stapleton ..... G09F 3/08  
 D932,712 S \* 10/2021 Mott ..... D30/152  
 D943,844 S \* 2/2022 Li ..... D10/104.1  
 D943,845 S \* 2/2022 Li ..... D10/104.1  
 D944,470 S \* 2/2022 Li ..... D10/104.1  
 D945,721 S \* 3/2022 Luo ..... D10/104.1  
 D950,863 S \* 5/2022 Mott ..... D30/152  
 D952,961 S \* 5/2022 Li ..... D30/152  
 D953,667 S \* 5/2022 Li ..... D30/152  
 D954,015 S \* 6/2022 Chen ..... D14/155  
 D957,763 S \* 7/2022 Jia ..... D10/104.1  
 D964,667 S \* 9/2022 Mo ..... D10/104.1  
 D965,925 S \* 10/2022 Zhu ..... D10/104.1  
 D970,827 S \* 11/2022 Zhuang ..... D30/152  
 D972,236 S \* 12/2022 Liang ..... D10/104.1  
 D972,791 S \* 12/2022 Deng ..... D30/152  
 D973,980 S \* 12/2022 Zhong ..... D30/152  
 2005/0059909 A1 \* 3/2005 Burgess ..... A61H 11/00  
 601/79  
 2005/0211187 A1 \* 9/2005 Harman ..... A01K 15/023  
 119/721  
 2011/0232585 A1 \* 9/2011 Rich ..... A01K 27/009  
 342/458  
 2013/0027207 A1 \* 1/2013 Goetzl ..... H01Q 1/273  
 340/573.3  
 2013/0112153 A1 \* 5/2013 So ..... A01K 15/021  
 119/720  
 2015/0040839 A1 \* 2/2015 Goetzl ..... A01K 15/021  
 119/720  
 2016/0192623 A1 \* 7/2016 Rich ..... A01K 15/023  
 119/721  
 2018/0132450 A1 \* 5/2018 Goetzl ..... A01K 15/021  
 2019/0170853 A1 \* 6/2019 Rich ..... A01K 11/008

\* cited by examiner



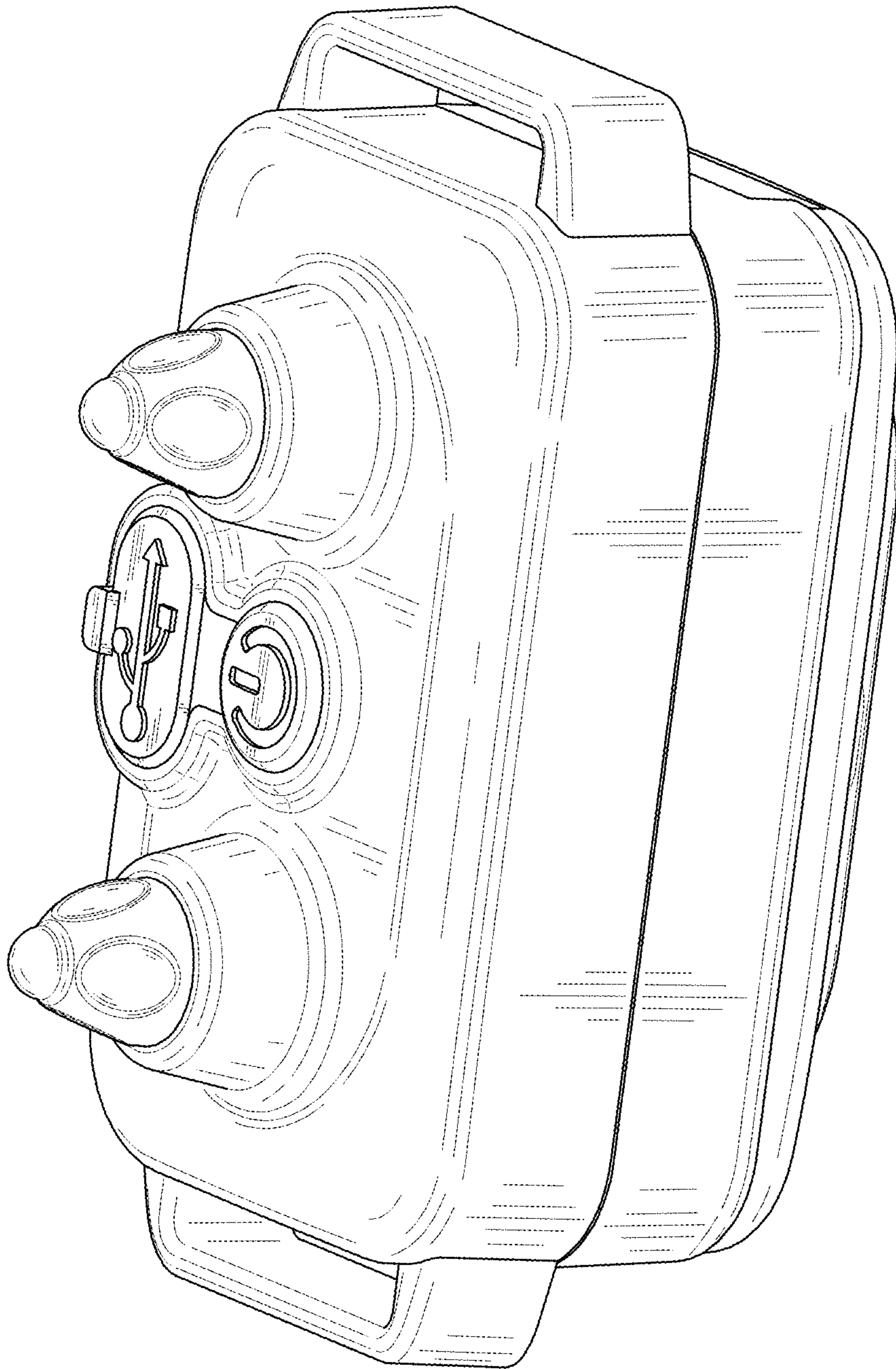


FIG. 1



FIG. 2

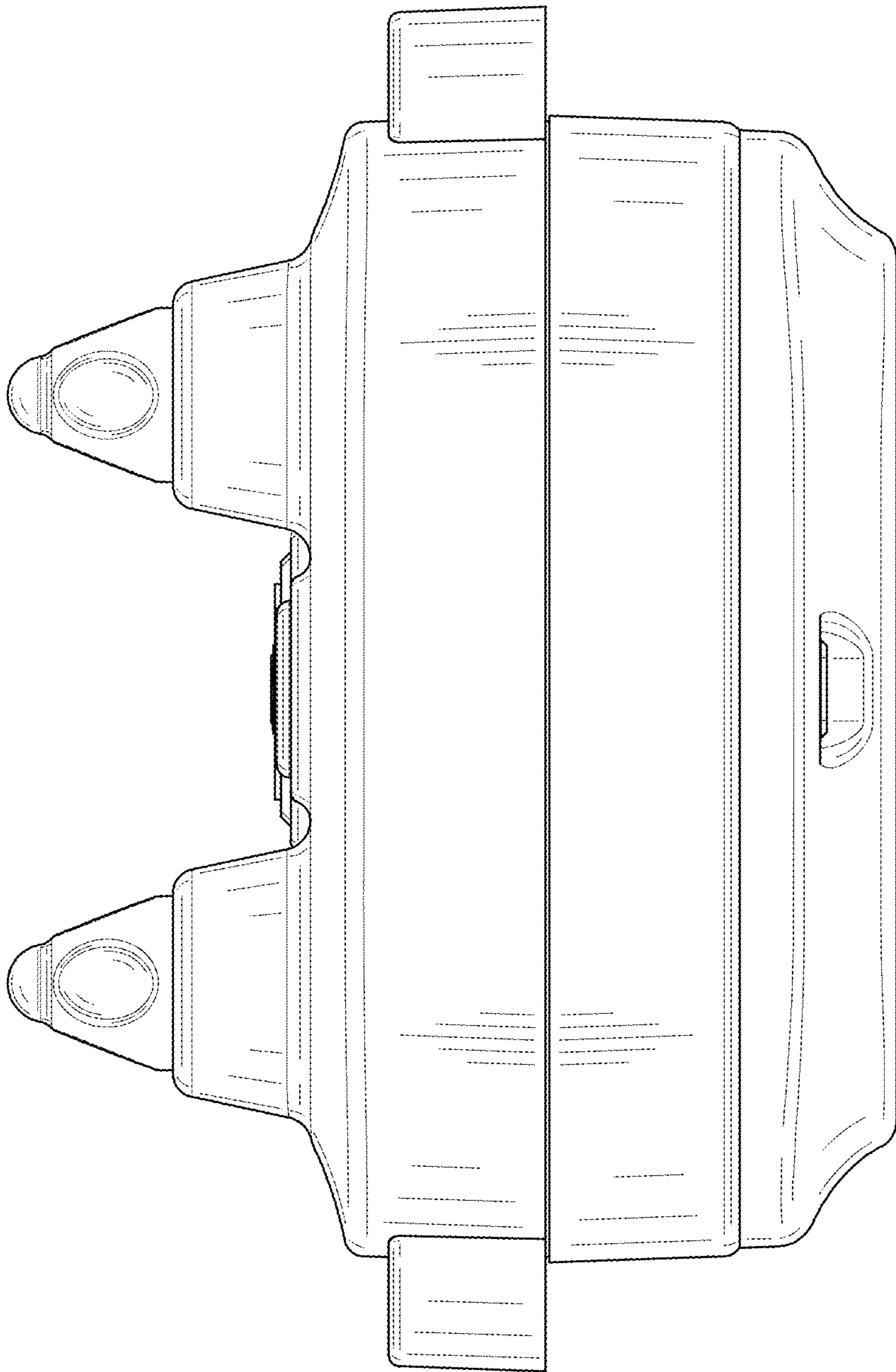


FIG. 3

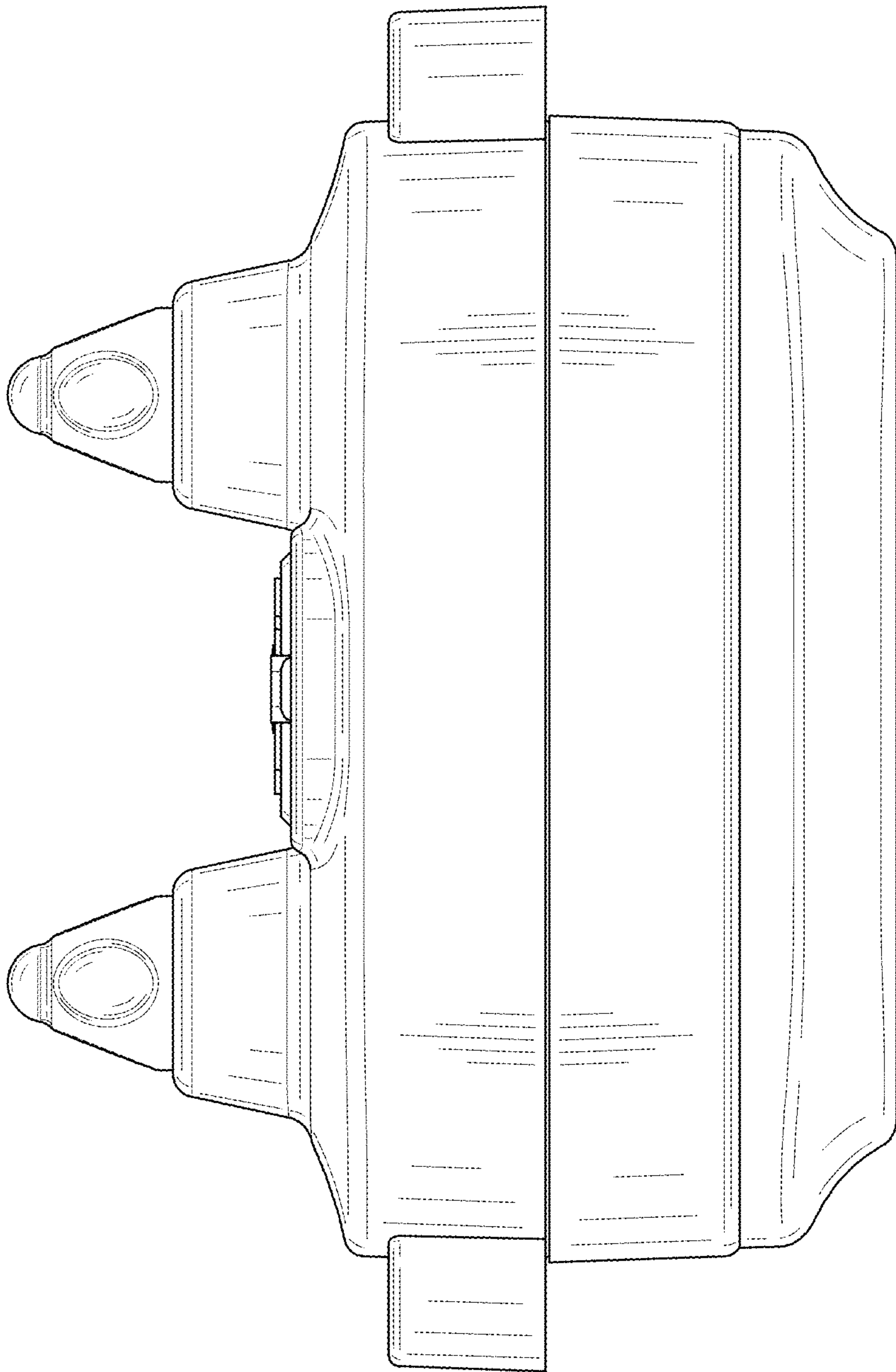


FIG. 4

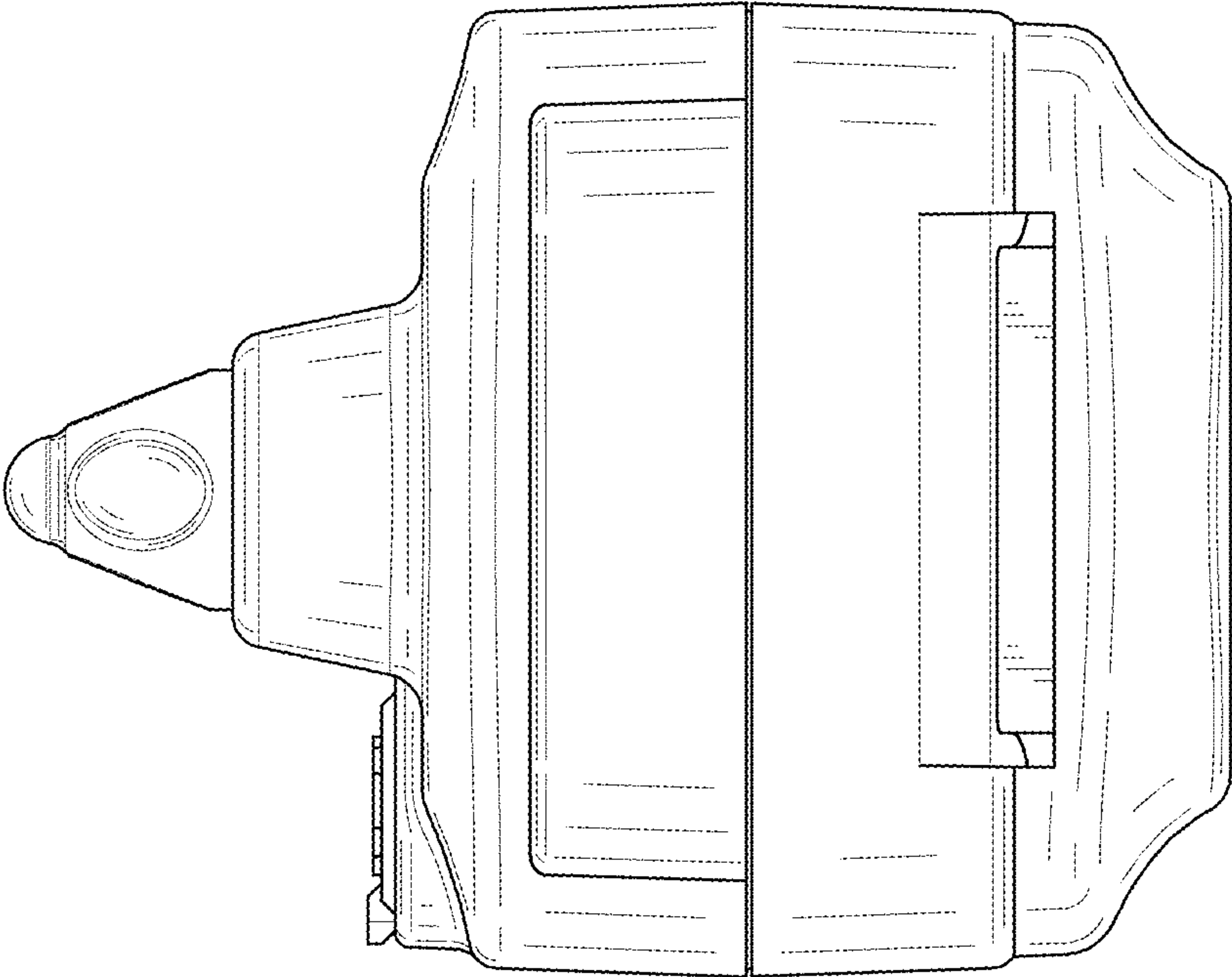


FIG.5



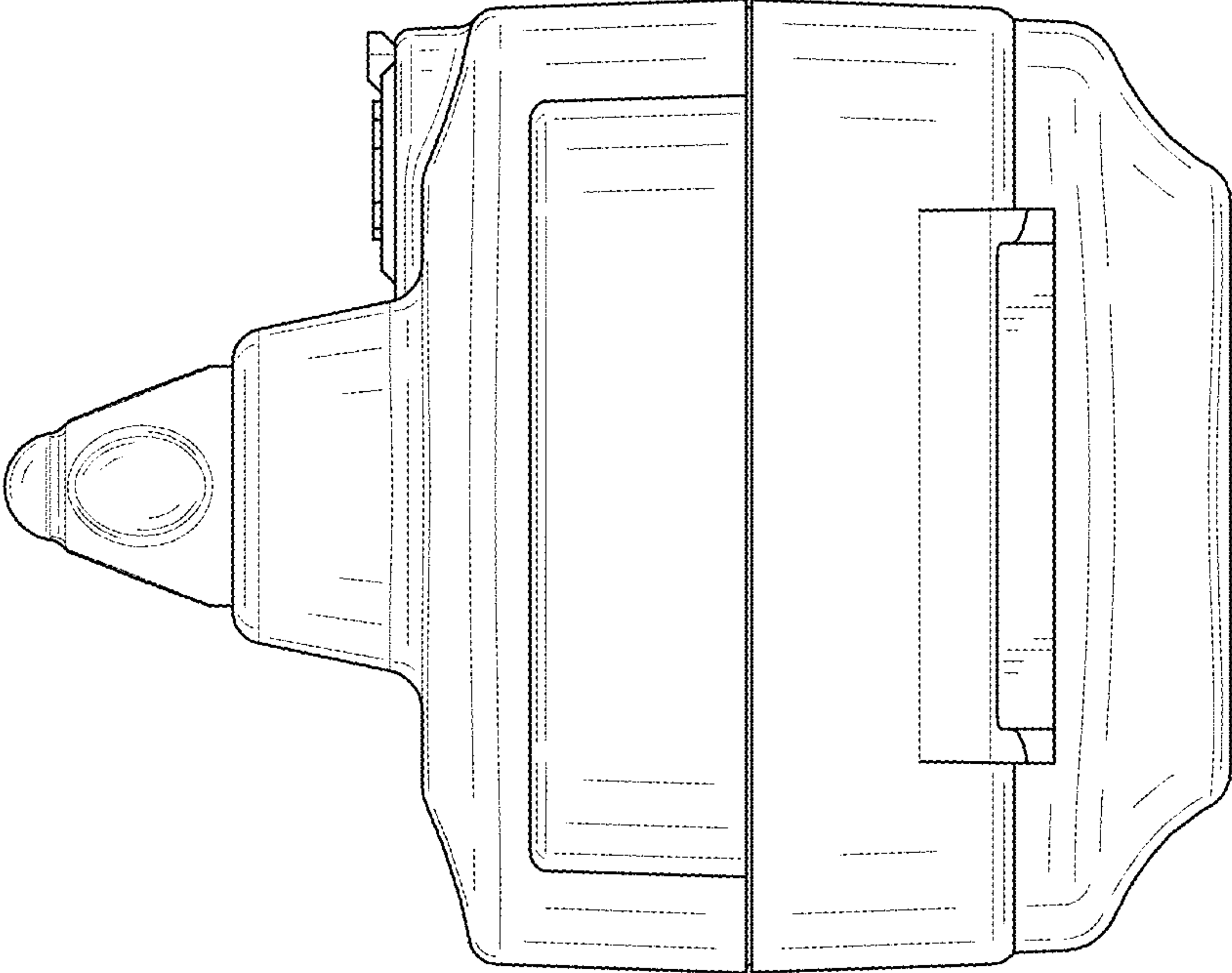


FIG.6



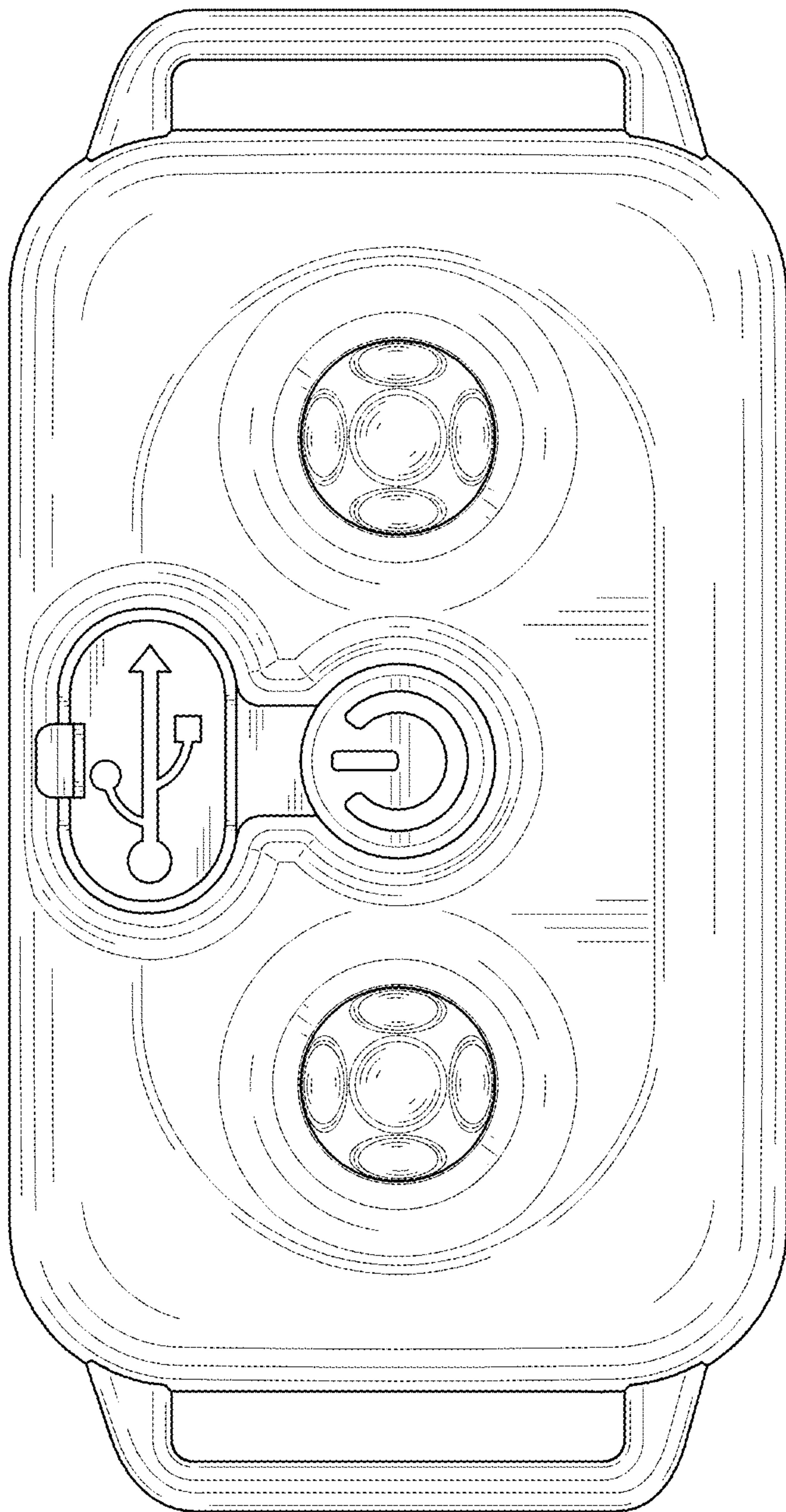


FIG. 7

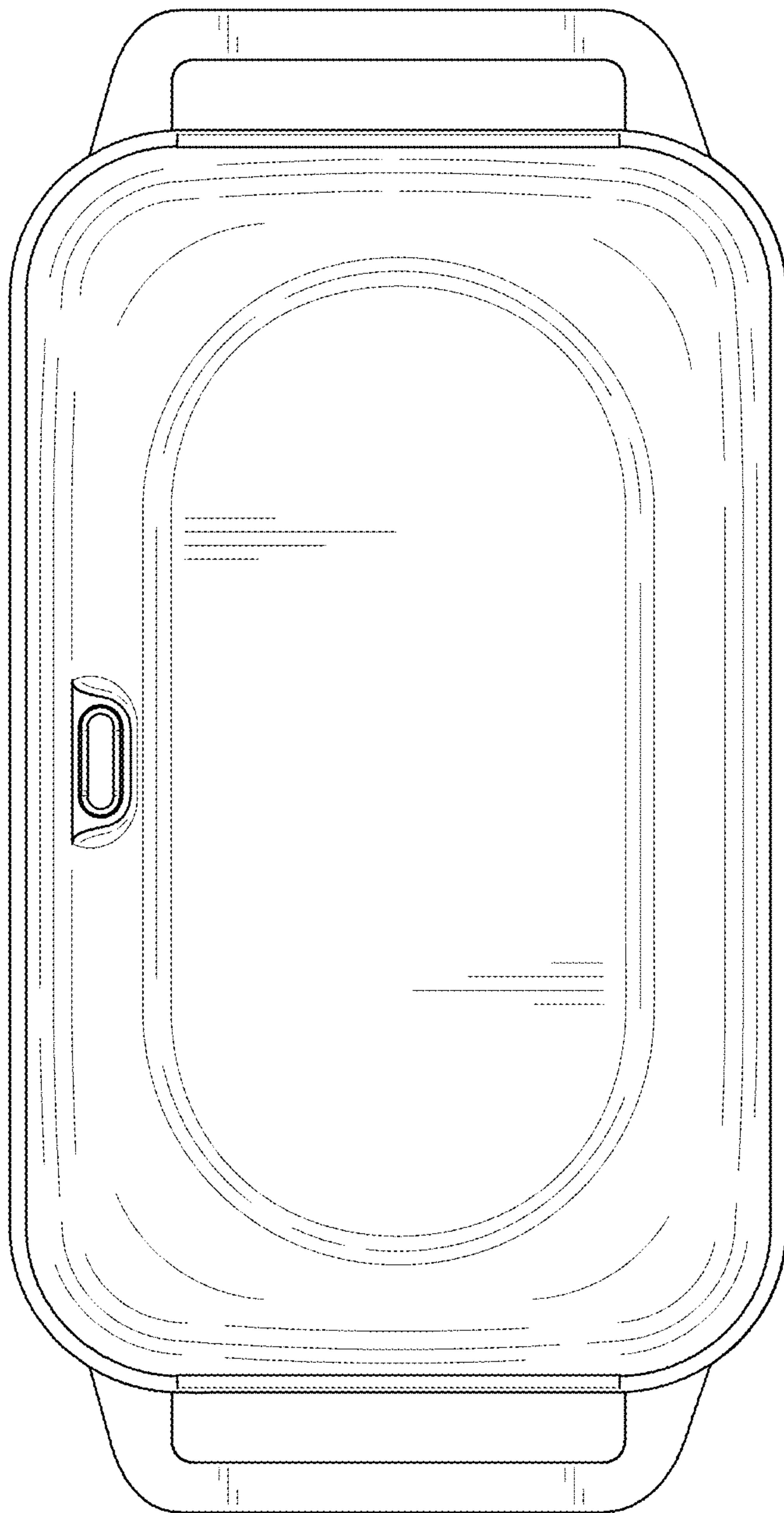


FIG. 8