



US00D987918S

(12) **United States Design Patent** (10) **Patent No.:** **US D987,918 S**
Li (45) **Date of Patent:** **** May 30, 2023**

(54) **ADJUSTABLE PET WHEELCHAIR**
(71) Applicant: **Nengfei Li**, Ningbo (CN)
(72) Inventor: **Nengfei Li**, Ningbo (CN)
(**) Term: **15 Years**
(21) Appl. No.: **29/804,871**
(22) Filed: **Aug. 23, 2021**
(51) **LOC (14) Cl.** **30-99**
(52) **U.S. Cl.**
USPC **D30/199**
(58) **Field of Classification Search**
USPC D30/144, 151, 152, 160, 199;
119/722-729, 792, 751, 516, 738;
5/83.1; 452/53-56; 601/27, 35; 602/19;
280/62, 63, 65, 43, 47.131, 657, 290;
168/48.1; 403/119; D6/344, 347;
472/119, 120-125; D12/128-133;
D24/185, 190, 192
CPC A61D 3/00; A61D 2003/006; A61D
2003/003; A01K 15/04; A01K 15/027;
A01K 15/02; A61H 3/04; A61H
2003/043; A61H 2003/046; A61H
2203/03; A63G 9/00; A47D 13/10; A47D
13/105; A47D 13/107
See application file for complete search history.

6,820,572 B1 * 11/2004 Parkes A61D 3/00
119/728
7,549,398 B2 * 6/2009 Robinson A61D 3/00
119/727
8,919,291 B2 * 12/2014 De La Celle A01K 15/027
119/727
9,089,109 B2 * 7/2015 Codos A01K 1/0263
9,179,646 B2 * 11/2015 Shalom A61H 3/04
D804,112 S * 11/2017 Newby D30/199
9,962,249 B2 * 5/2018 Newby A61D 3/00
10,765,087 B1 * 9/2020 Massey A61H 3/04
D919,200 S * 5/2021 Zeng D30/199
11,547,091 B1 * 1/2023 Cook B62B 9/20
D977,767 S * 2/2023 Li D30/199
2008/0231006 A1 * 9/2008 Van Eeden A61H 3/04
280/7.15
2013/0104813 A1 * 5/2013 Shalom A01K 15/02
119/727
2017/0027676 A1 * 2/2017 Newby A61D 3/00
2022/0125664 A1 * 4/2022 Koreeda A01K 15/02

* cited by examiner

Primary Examiner — Susan Moon Lee

(57) **CLAIM**

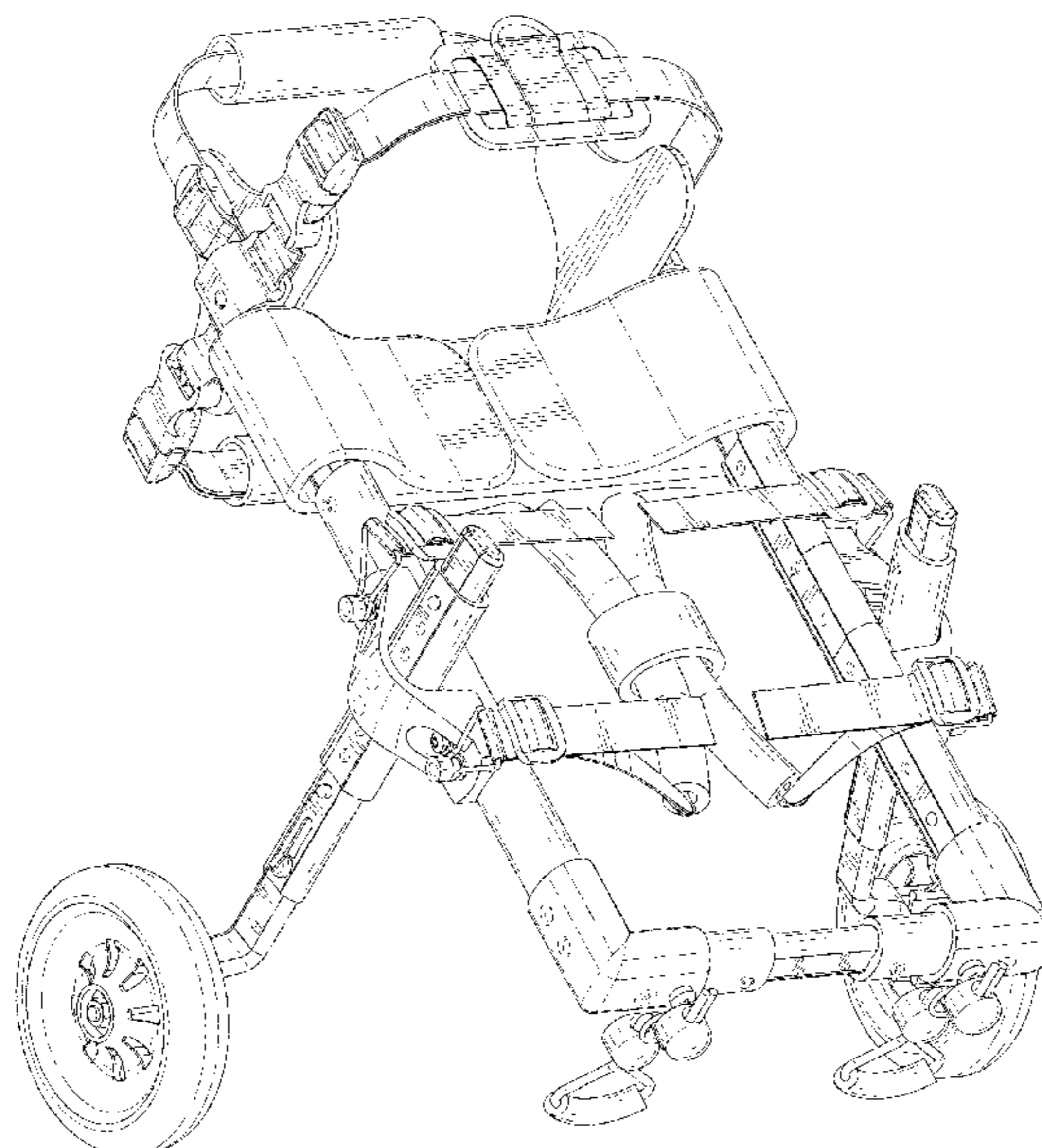
The ornamental design for an adjustable pet wheelchair, as shown and described.

DESCRIPTION

FIG. 1 is a perspective view of an adjustable pet wheelchair showing my new design;
FIG. 2 is another perspective view thereof;
FIG. 3 is a front elevational view thereof;
FIG. 4 is a rear elevational view thereof;
FIG. 5 is a left side elevational view thereof;
FIG. 6 is a right side elevational view thereof;
FIG. 7 is a top plan view thereof; and,
FIG. 8 is a bottom plan view thereof.
The broken lines in the drawings depict portions of the adjustable pet wheelchair that form no part of the claimed design.

1 Claim, 8 Drawing Sheets

(56) **References Cited**
U.S. PATENT DOCUMENTS
3,215,117 A * 11/1965 Short A01K 13/00
119/727
3,241,851 A * 3/1966 Dingbaum A61D 9/00
280/43
4,375,203 A * 3/1983 Parkes A61D 9/00
119/727
5,224,444 A * 7/1993 Hill A61H 3/04
119/727



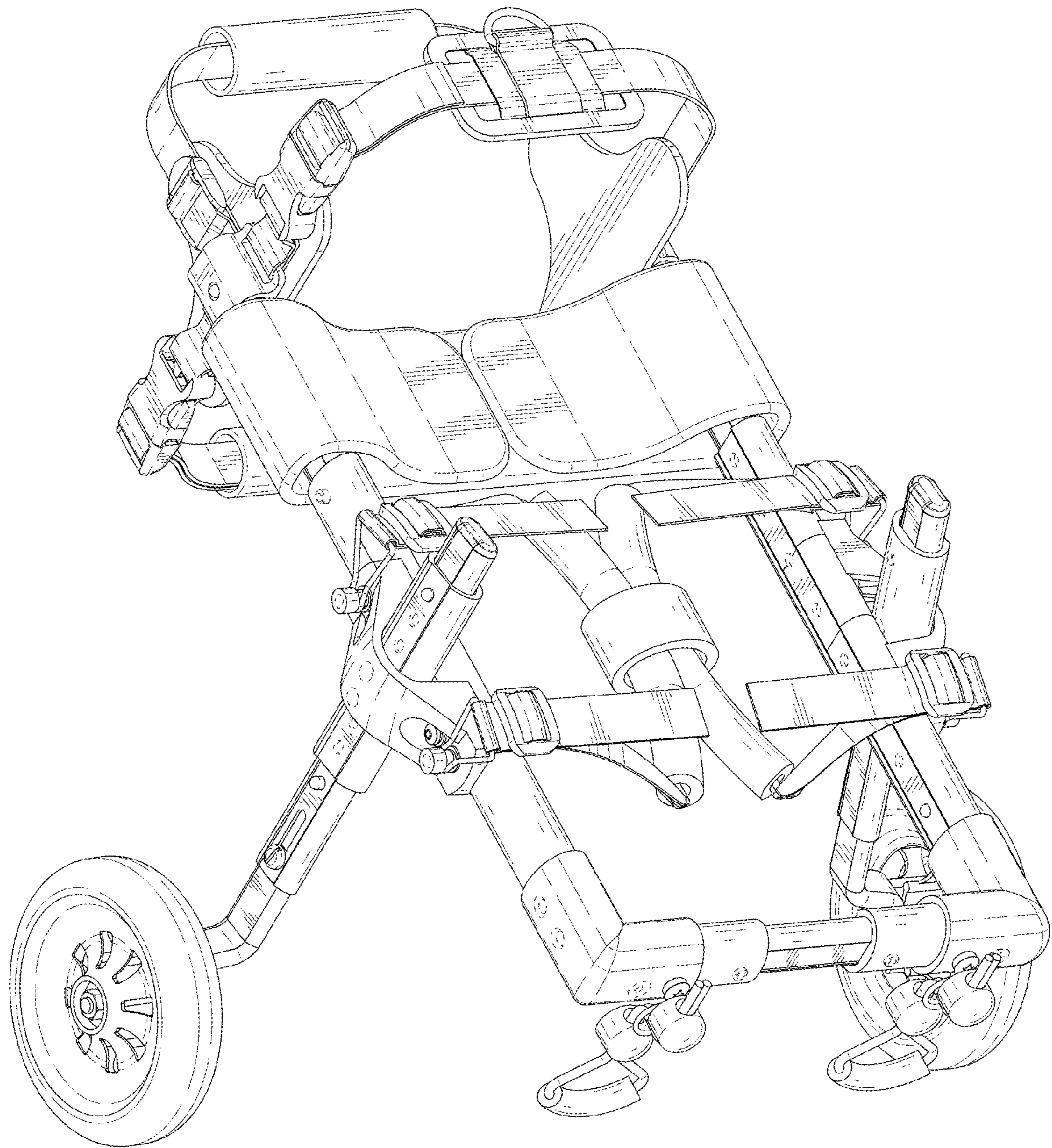


FIG. 1

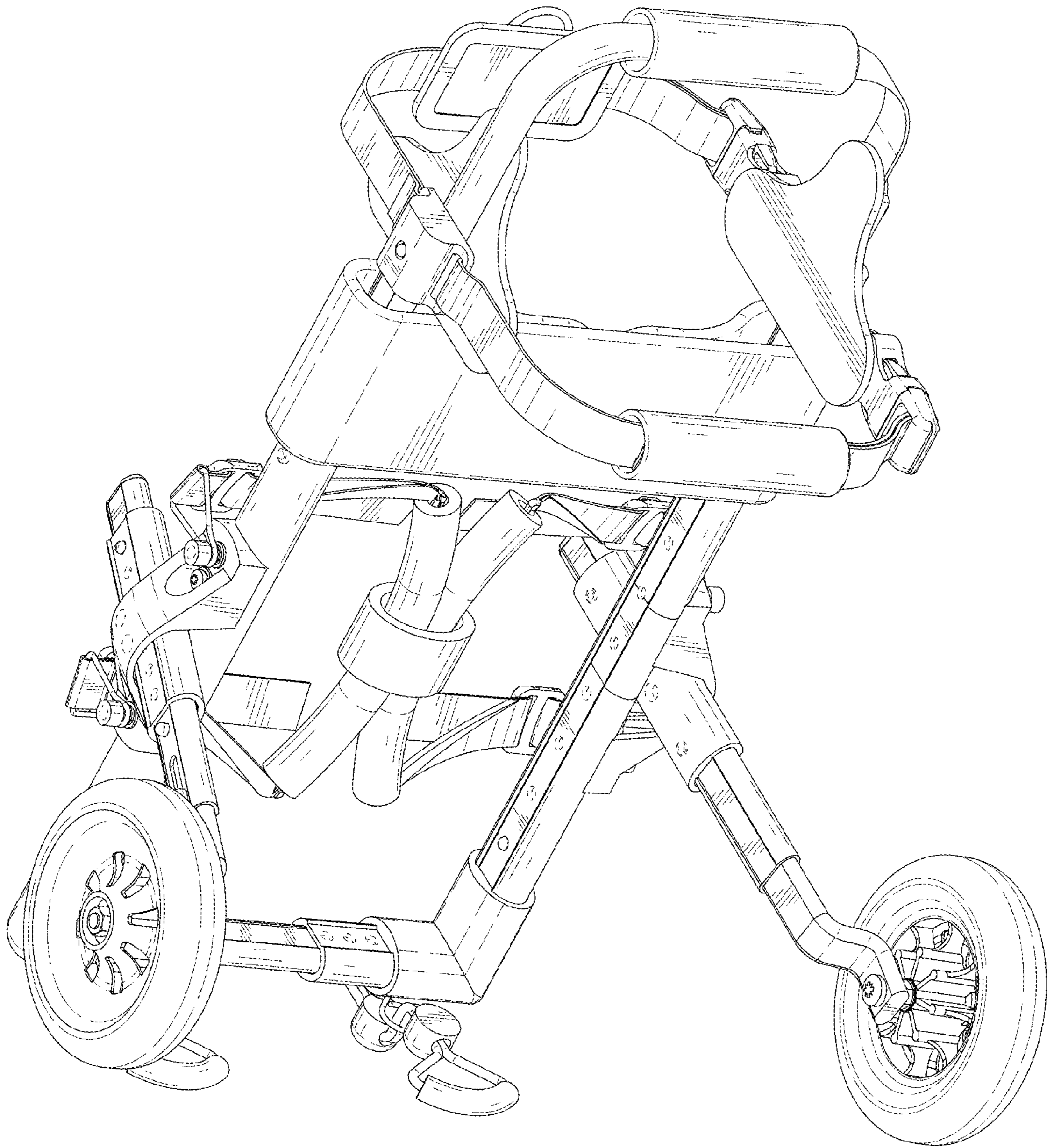


FIG. 2

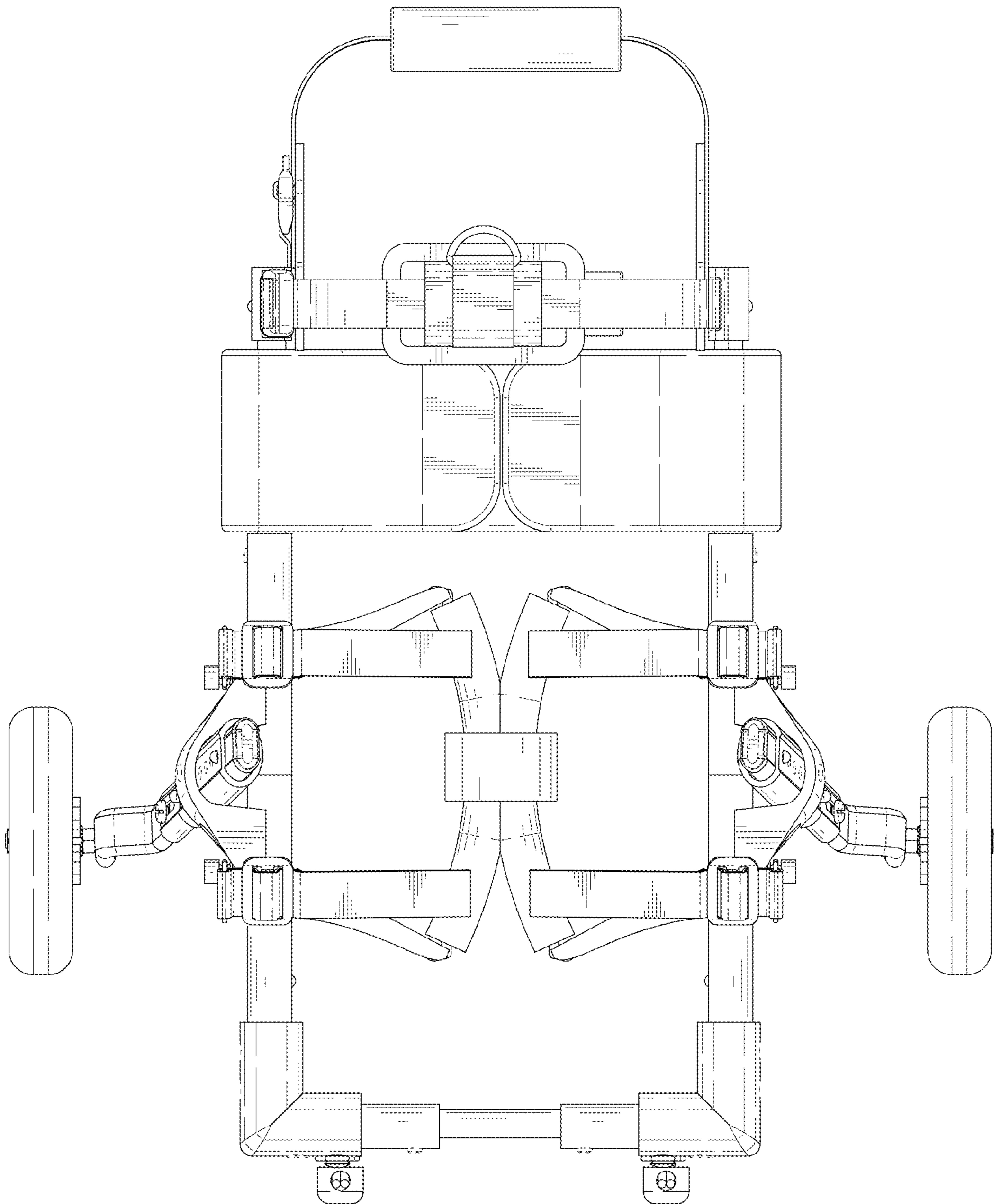


FIG. 3

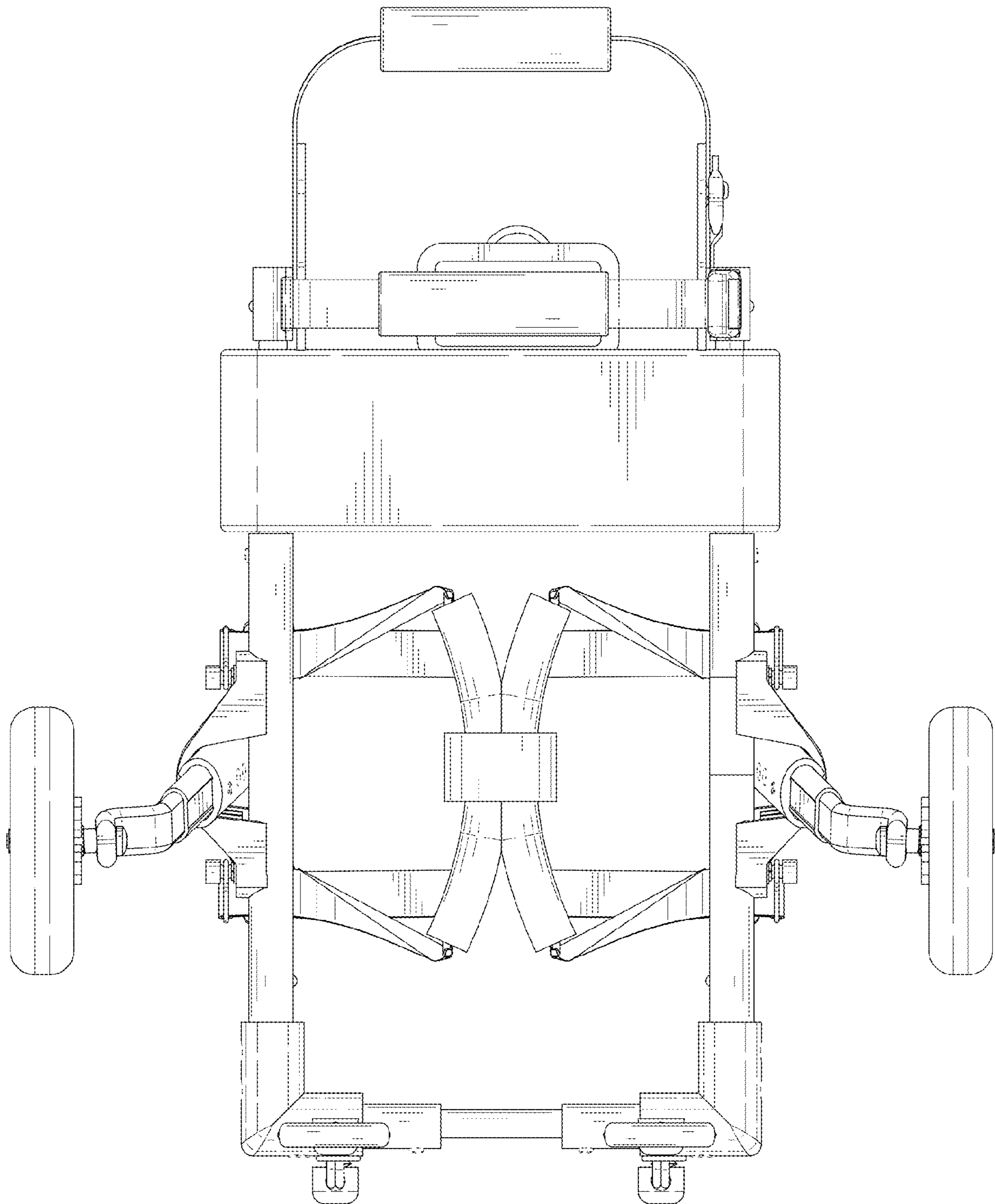


FIG. 4

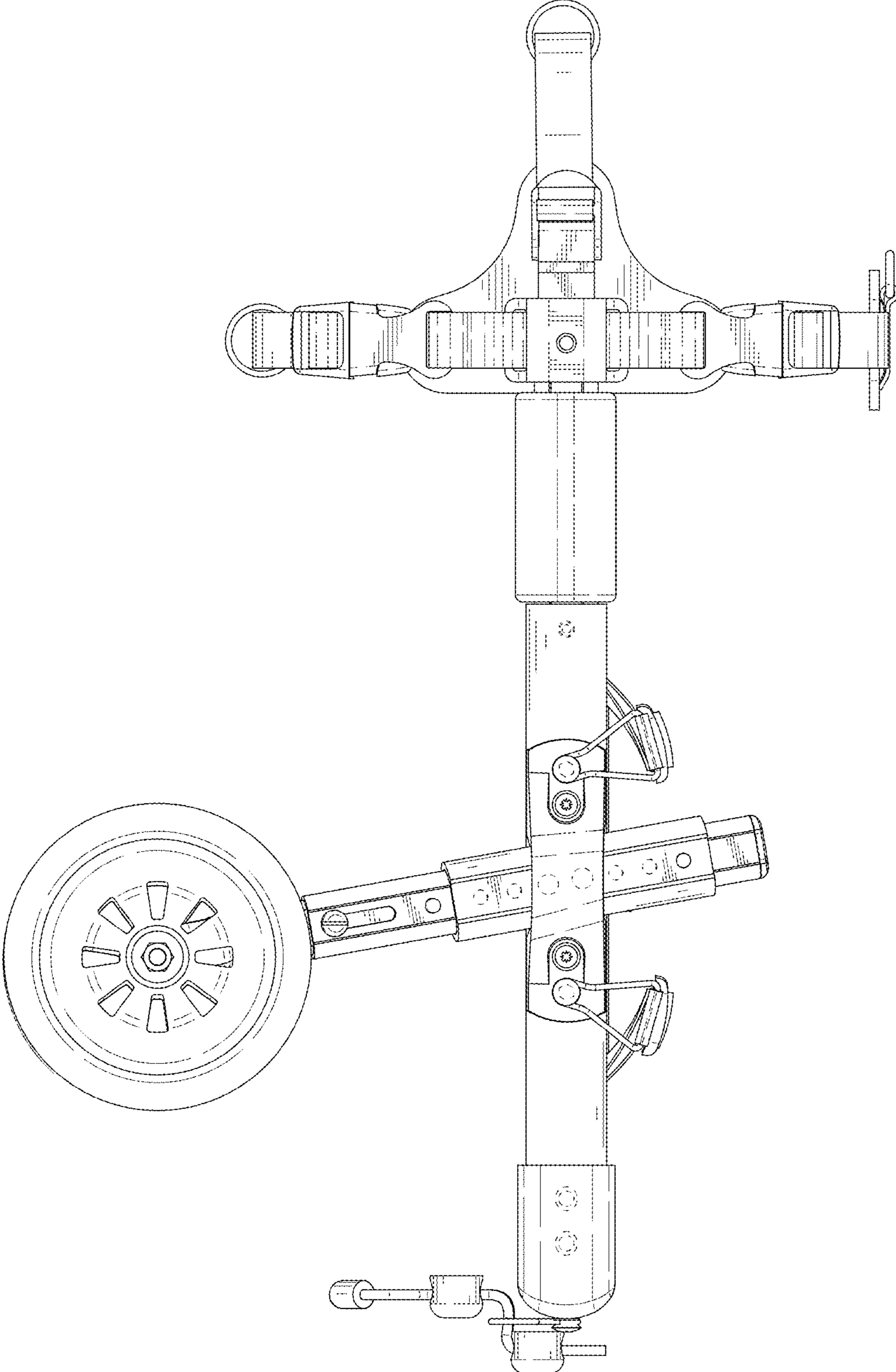


FIG. 5

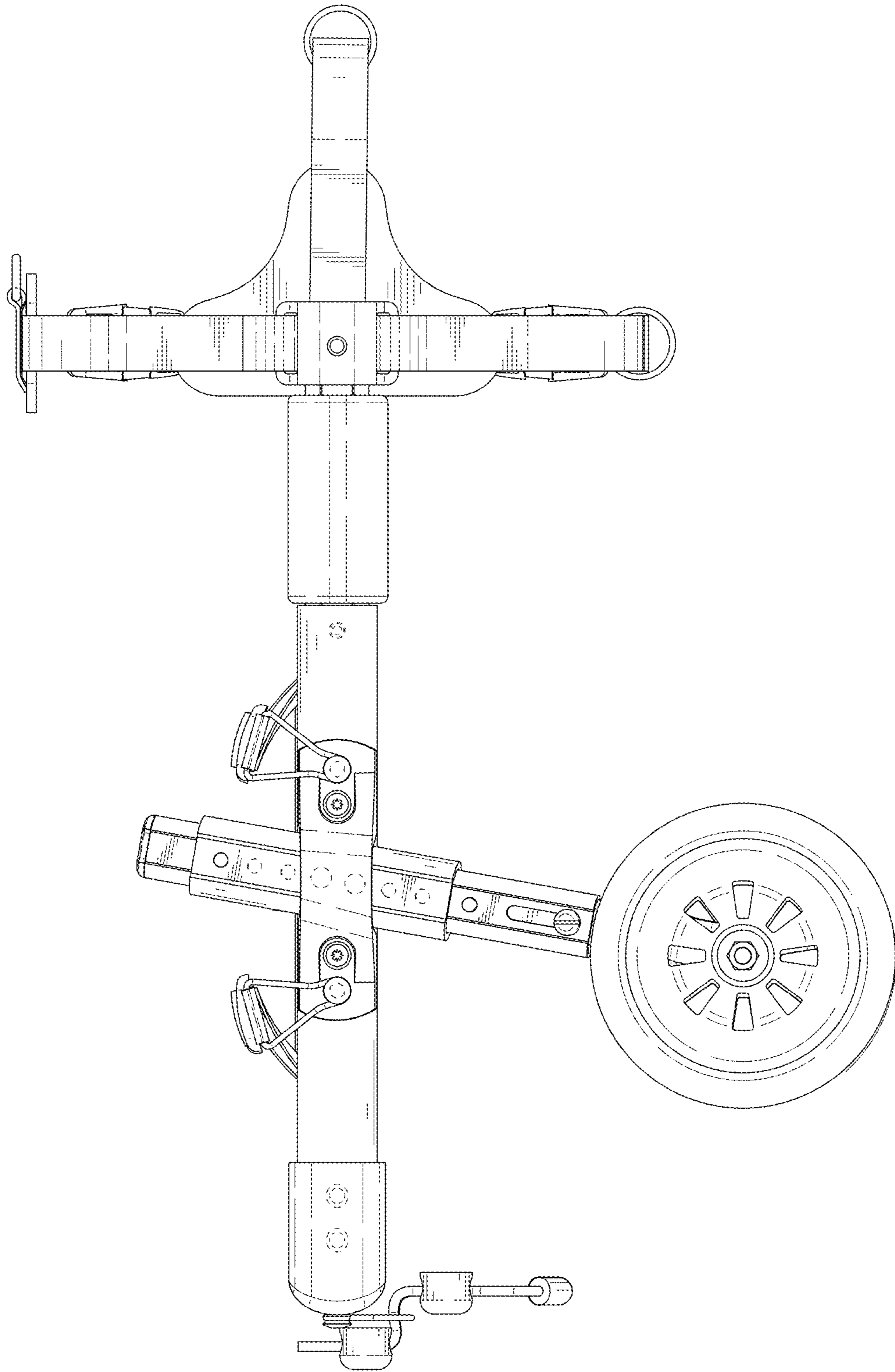


FIG. 6

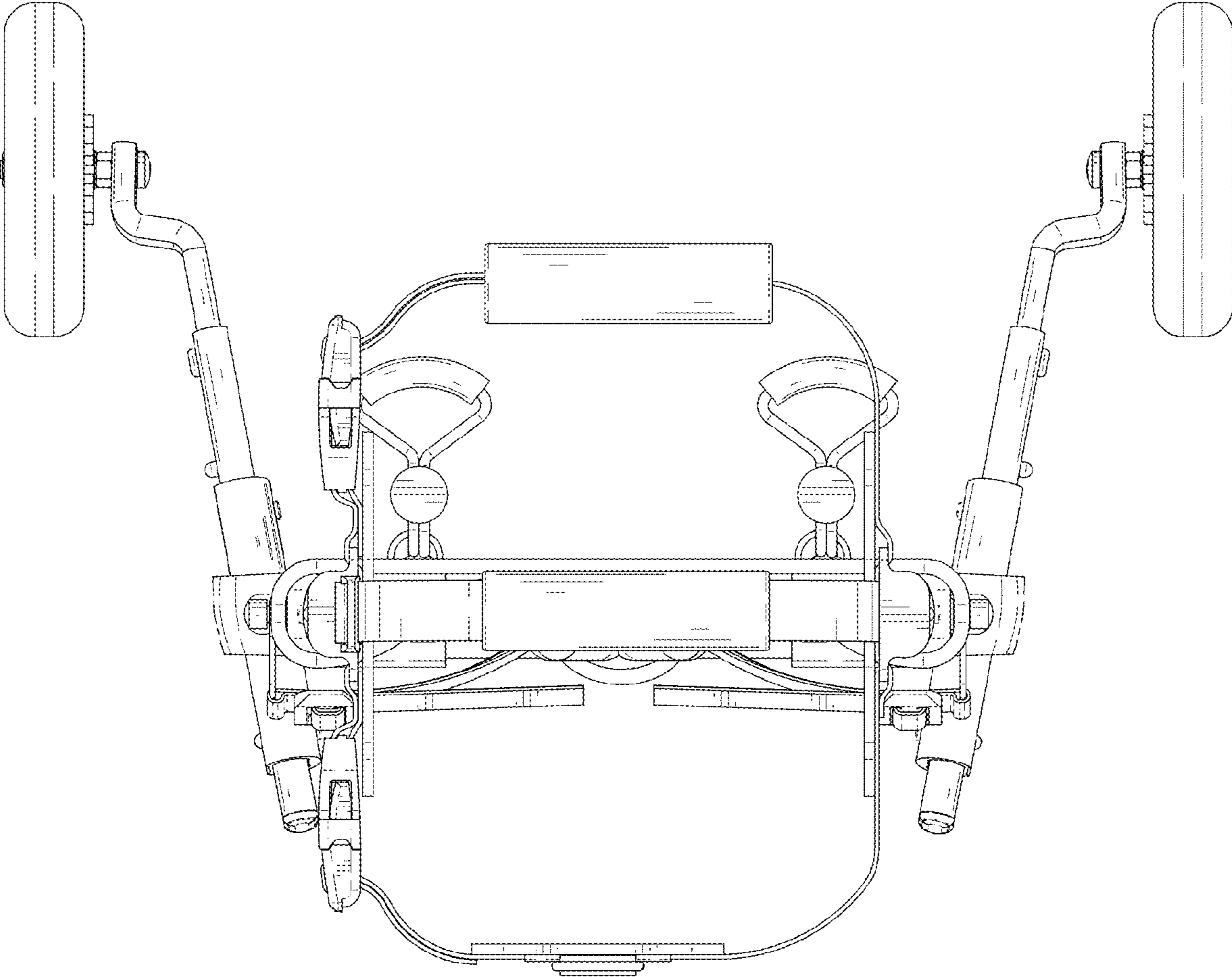


FIG. 7

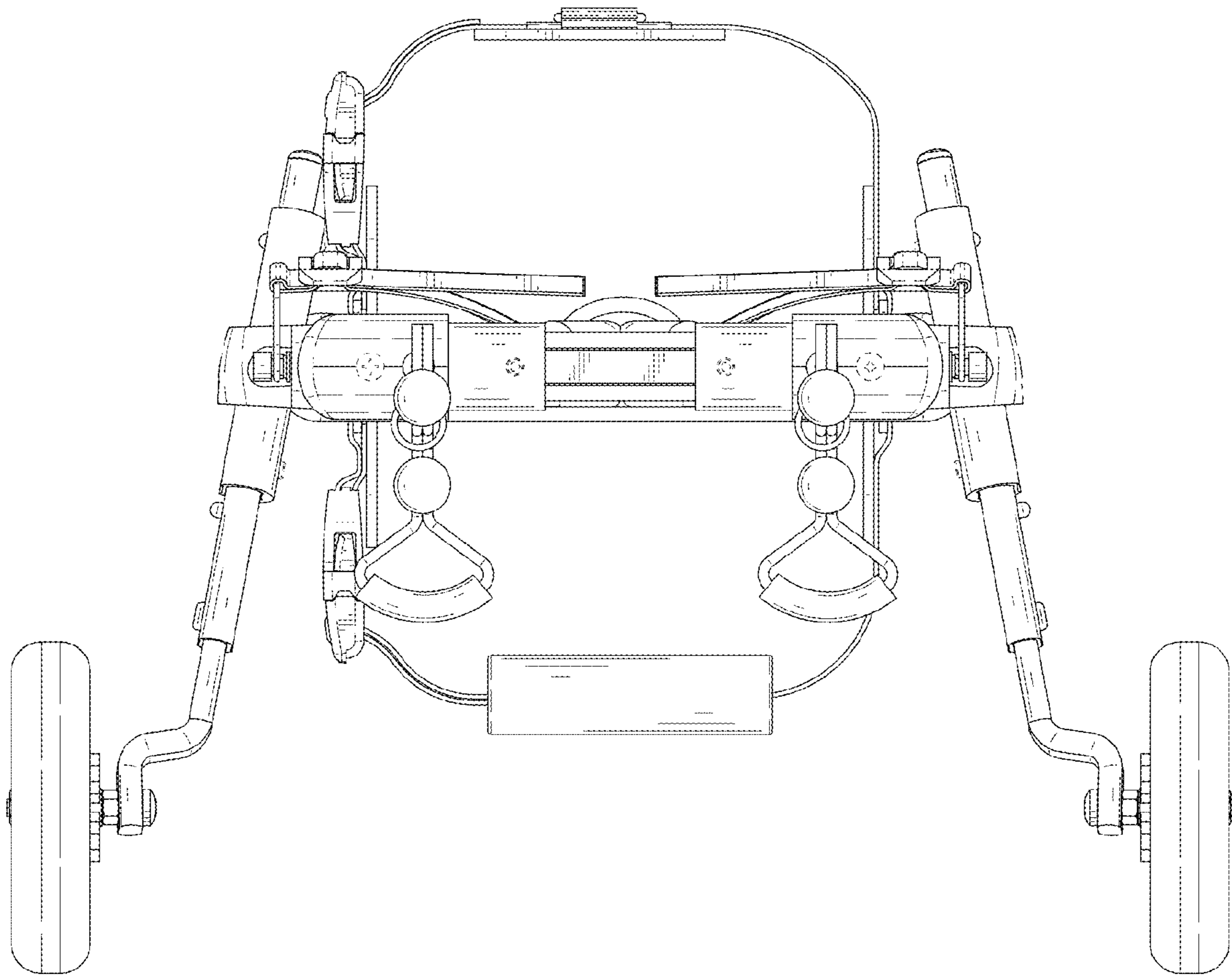


FIG. 8