



US00D987916S

(12) **United States Design Patent**
Li

(10) **Patent No.:** **US D987,916 S**

(45) **Date of Patent:** **** May 30, 2023**

(54) **PET CLIMBING PLATFORM**

(71) Applicant: **Hefei Haimai Information Technology Co., Ltd., Anhui (CN)**

(72) Inventor: **Shuai Li, Anhui (CN)**

(73) Assignee: **Hefei Haimai Information Technology Co., Ltd., Anhui (CN)**

(**) Term: **15 Years**

(21) Appl. No.: **29/799,499**

(22) Filed: **Jul. 14, 2021**

(51) **LOC (14) Cl.** **30-03**

(52) **U.S. Cl.**
USPC **D30/199; D25/63**

(58) **Field of Classification Search**
USPC D30/199, 119, 160, 108, 118, 158, 161; 119/843, 849, 847, 706-711, 28.5, 165, 119/702, 485, 498; D25/63, 65, 62, 64, D25/66-69; 182/1, 20, 200, 33, 107, 182/230, 129, 106, 93, 95, 115, 113, 151, 182/35, 46, 222; 248/188.2; 52/182, 52/184, 188, 190; 114/362; 14/71.1, 14/69.5; 193/2 R, 33; D6/349-355, 335, D6/684, 406.6, 406.5, 535, 690, 691, D6/691.1-691.4, 691.8, 687, 686; D12/203; 280/166; 296/156; 105/443, 105/447, 448; 297/118; 4/254, 483, 485, 4/574.1, 578.1, 902, 572.1, 571.1; D23/296, 299, 309, 311; D21/686, 687, D21/690, 695, 671, 685, 521, 522; 482/52, 142, 143; 473/476; D14/451, D14/447; D7/619.1, 698, 552.2, 554.3, D7/550.1
CPC A01K 1/035; E04F 11/066; E04F 11/062; E04F 11/06; E04F 11/04; E04F 11/022; E04F 11/0223; E04F 11/0226; E04F 11/035; E04F 2011/0203-0209; E04F 2011/0218; E06C 1/383; E06C 1/3835;

E06C 1/387; E06C 1/00; E06C 1/005; E06C 1/04; E06C 1/12; E06C 1/14; E06C 1/16; E06C 1/30; E06C 1/38; E06C 1/381; B60R 3/007; B60R 3/02; A47K 11/06; A47K 11/08; A47K 11/12; A47K 17/028; A61G 9/00; A63B 23/0458; A47C 12/00; A47C 12/02; A47C 13/00; A47C 13/005; A47C 16/02; A47C 16/04; A47C 11/00; A47C 9/00; A47C 9/002; A47C 9/02; A47C 9/025; A47C 9/027; A47C 9/04; A47C 9/08; A47C 9/10

See application file for complete search history.

(56) **References Cited**

U.S. PATENT DOCUMENTS

3,846,860 A * 11/1974 Kummerman B63B 27/143
14/71.1
4,528,711 A * 7/1985 Packer B65G 69/30
14/69.5

(Continued)

Primary Examiner — Susan Moon Lee

(74) *Attorney, Agent, or Firm* — True Shepherd, LLC;
Andrew Cheng

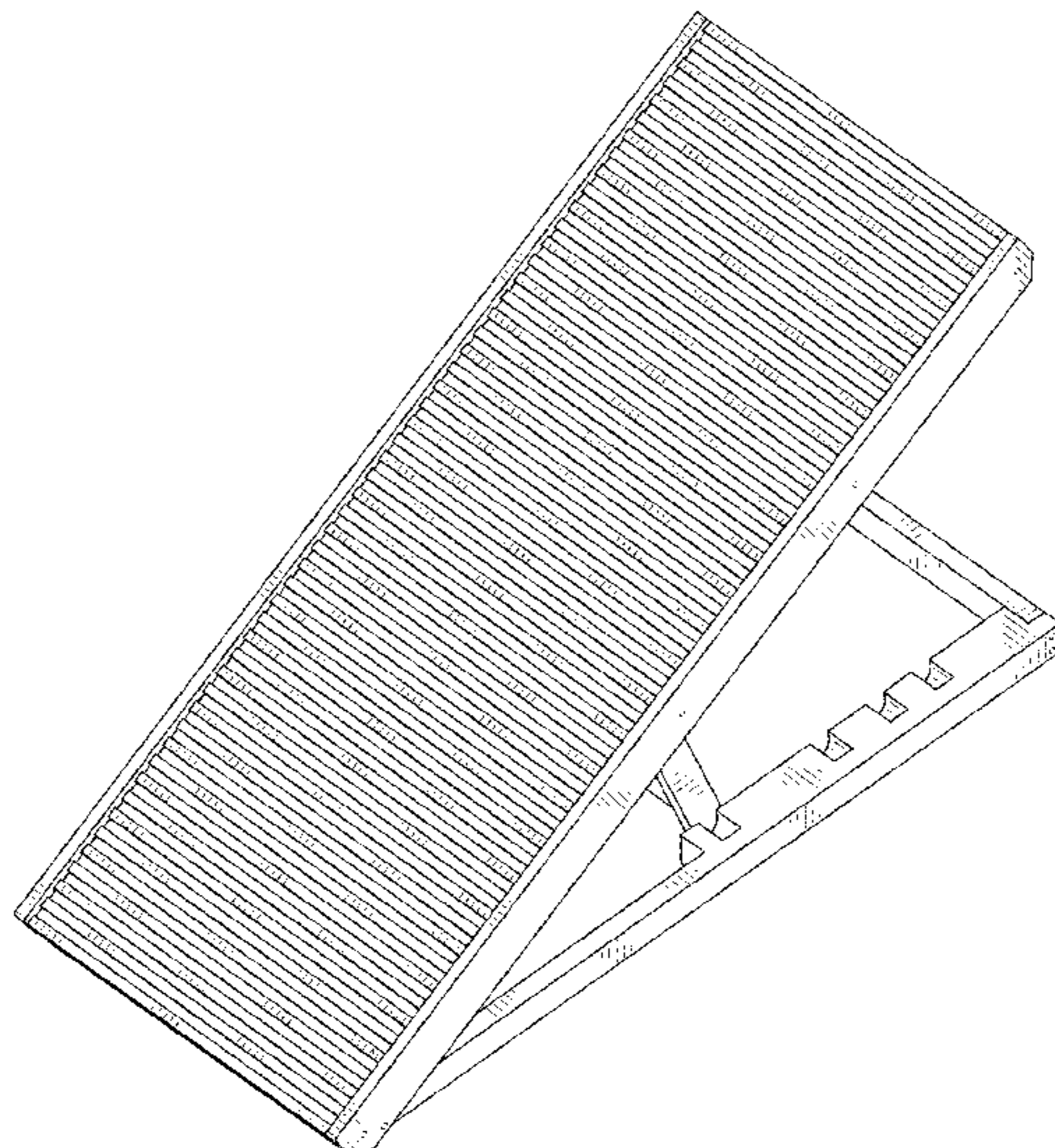
(57) **CLAIM**

The ornamental design for a pet climbing platform, as shown and described.

DESCRIPTION

FIG. 1 is a front, right, and top perspective view of a pet climbing platform, showing my design.
FIG. 2 is a rear, left, and bottom perspective view thereof.
FIG. 3 is a front elevation view thereof.
FIG. 4 is a rear elevation view thereof.
FIG. 5 is a left side elevation view thereof.
FIG. 6 is a right side elevation view thereof.
FIG. 7 is a top plan view thereof; and,
FIG. 8 is a bottom plan view thereof.

1 Claim, 8 Drawing Sheets



(56)	References Cited						
	U.S. PATENT DOCUMENTS						
4,920,597	A *	5/1990	Hamilton	E04B 1/34347	14/69.5	
D316,771	S *	5/1991	Murray	D34/32		
5,324,004	A *	6/1994	Richardson	B66F 7/243	254/88	
D361,642	S *	8/1995	Smith	D34/32		
D373,885	S *	9/1996	Holland, Jr.	D34/32		
D382,676	S *	8/1997	Holbrook	D30/119		
6,010,298	A *	1/2000	Cohn	A61G 3/061	414/522	
D420,175	S *	2/2000	Garrels, Jr.	D30/119		
6,179,545	B1 *	1/2001	Petersen, Jr.	A61G 3/061	14/71.7	
6,343,908	B1 *	2/2002	Oudsten	A61G 3/061	414/537	
6,430,769	B1 *	8/2002	Allen	A61G 3/061	14/69.5	
6,484,344	B1 *	11/2002	Cooper	A61G 3/061	14/71.1	
6,536,064	B1 *	3/2003	Swink	B60P 1/431	14/69.5	
6,602,041	B2 *	8/2003	Lewis	A61G 3/061	414/537	
6,715,177	B1 *	4/2004	Lagergren-Julander	B60P 1/433	119/847	
7,043,789	B2 *	5/2006	Morrish	A61G 3/061	14/69.5	
7,264,433	B2 *	9/2007	Navarro	B60P 1/431	414/537	
7,299,517	B1 *	11/2007	Adinolfe	B65G 69/30	14/69.5	
7,326,024	B2 *	2/2008	Cohn	B60P 1/4457	414/546	
7,347,476	B2 *	3/2008	Luehr	B60J 5/108	296/146.8	
7,467,436	B1 *	12/2008	Jones	E04F 11/002	14/69.5	
7,493,874	B2 *	2/2009	Simpson	A01K 1/0272	119/849	
7,526,826	B2 *	5/2009	Bailie	B65G 69/30	14/69.5	
7,533,432	B2 *	5/2009	Morris	A61G 3/061	14/71.3	
7,533,433	B2 *	5/2009	Morris	A61G 3/061	14/71.3	
7,533,434	B2 *	5/2009	Morris	A61G 3/061	14/71.3	
D599,062	S *	8/2009	Jakubowski	D30/199		
D604,018	S *	11/2009	Simpson	D30/160		
7,681,272	B2 *	3/2010	Morris	A61G 3/061	14/71.3	
7,870,630	B2 *	1/2011	Johnson	E01D 19/00	14/71.1	
7,870,631	B2 *	1/2011	Morris	A61G 3/061	14/71.3	
8,032,963	B2 *	10/2011	Morris	B60R 3/02	14/71.3	
D653,820	S *	2/2012	Haaf	D30/160		
8,117,994	B1 *	2/2012	Goodlow	A01K 1/035	119/849	
8,122,552	B2 *	2/2012	Morris	A61G 3/061	14/71.3	
8,122,553	B1 *	2/2012	Johnson	B60P 1/433	14/71.3	
8,166,594	B1 *	5/2012	Morris	B60P 1/433	14/71.3	
8,181,300	B1 *	5/2012	Johnson	B60P 1/433	14/71.3	
8,230,539	B2 *	7/2012	Morris	B60P 1/433	14/71.1	
8,250,693	B1 *	8/2012	Johnson	B60P 1/433	14/71.3	
8,327,486	B2 *	12/2012	Fontaine	B60P 1/433	14/71.1	
8,375,496	B1 *	2/2013	Johnson	A61G 3/061	14/71.3	
8,402,660	B1 *	3/2013	Johnson	B60P 1/433	29/897.2	
8,434,181	B1 *	5/2013	Johnson	B65G 69/30	14/71.3	
8,561,549	B2 *	10/2013	Charbonneau	B60J 5/108	105/348	
8,590,159	B1 *	11/2013	Johnson	B65G 69/30	29/897.2	
D696,821	S *	12/2013	Haaf	D30/160		
8,635,729	B1 *	1/2014	Johnson	B60P 1/433	14/71.3	
8,695,141	B1 *	4/2014	Villareal	B65G 69/30	14/69.5	
8,769,823	B1 *	7/2014	Johnson	B60P 1/433	29/897.2	
D712,112	S *	8/2014	Leum	D34/32		
8,869,333	B2 *	10/2014	Johnson	B60P 1/433	14/71.3	
8,926,254	B2 *	1/2015	Pocobello	A61G 3/061	414/537	
8,938,837	B1 *	1/2015	Johnson	B60P 1/433	14/71.3	
D729,462	S *	5/2015	Jakubowski	D30/199		
9,050,229	B1 *	6/2015	Morris	A61G 3/061		
D736,484	S *	8/2015	Jakubowski	D30/199		
9,101,519	B2 *	8/2015	Smith	A61G 5/08		
9,174,113	B2 *	11/2015	Thompson	E01C 13/003		
9,271,883	B2 *	3/2016	Johnson	A61G 3/061		
D756,573	S *	5/2016	Jakubowski	D30/199		
9,775,326	B1 *	10/2017	MacNeil	A01K 1/035		
9,920,535	B2 *	3/2018	Belman	E04F 11/002		
10,190,310	B2 *	1/2019	Duffield	E04B 1/34815		
D846,813	S *	4/2019	MacNeil	D30/119		
D848,079	S *	5/2019	MacNeil	D30/119		
D871,682	S *	12/2019	MacNeil	D30/119		
D891,002	S *	7/2020	MacNeil	D30/119		
2002/0197141	A1 *	12/2002	Cohn	B60P 1/431	414/537	
2003/0007853	A1 *	1/2003	Cohn	B60R 3/02	414/537	
2003/0213072	A1 *	11/2003	Myrick	A01K 1/035	14/69.5	
2004/0096304	A1 *	5/2004	Lewis	B60P 1/433	414/537	
2004/0136820	A1 *	7/2004	Cohn	B60P 1/43	414/537	
2005/0055783	A1 *	3/2005	Peschmann	B65G 69/30	14/69.5	
2005/0115522	A1 *	6/2005	Bishop	A01K 1/035	119/847	
2006/0191490	A1 *	8/2006	Lamstein	A01K 15/024	119/706	
2006/0220410	A1 *	10/2006	Luehr	B62D 33/03	296/61	
2006/0245883	A1 *	11/2006	Fontaine	B60P 1/431	414/537	
2007/0234491	A1 *	10/2007	Bailie	E04G 27/00	14/69.5	
2008/0105215	A1 *	5/2008	Simpson	A01K 1/035	119/849	
2008/0187425	A1 *	8/2008	Morris	A61G 3/061	414/537	
2008/0196675	A1 *	8/2008	Murrer	A01K 15/024	119/706	
2008/0271267	A1 *	11/2008	Morris	A61G 3/061	14/71.1	
2008/0271268	A1 *	11/2008	Johnson	A61G 3/061	14/71.1	
2009/0035113	A1 *	2/2009	Morris	B60P 1/433	414/537	

(56)

References Cited

U.S. PATENT DOCUMENTS

2009/0188439 A1* 7/2009 Simpson A01K 15/024
119/706
2009/0271934 A1* 11/2009 Morris A61G 3/061
14/71.3
2009/0300859 A1* 12/2009 Lucht E04F 11/002
14/69.5
2011/0008140 A1* 1/2011 Hansen A61G 3/067
414/523
2011/0072598 A1* 3/2011 Morris A61G 3/067
14/69.5
2012/0030886 A1* 2/2012 Persson B60R 3/02
14/71.1
2012/0132480 A1* 5/2012 Gomez Varela E04F 11/002
182/21
2014/0237739 A1* 8/2014 Thompson A63C 19/10
14/2.4
2015/0052693 A1* 2/2015 Allen A61G 3/061
14/71.1
2015/0068136 A1* 3/2015 Duffield E04H 1/1205
52/79.5
2016/0302381 A1* 10/2016 Asposito A01K 1/035
2017/0121962 A1* 5/2017 Duffield E04B 1/34331
2017/0275886 A1* 9/2017 Ueno E04F 11/002
2019/0283986 A1* 9/2019 Morrish B65G 69/287
2020/0037582 A1* 2/2020 Caterson A01K 1/035
2020/0085188 A1* 3/2020 Feldman A47B 96/028
2020/0308842 A1* 10/2020 Jakubowski E04F 11/002

* cited by examiner

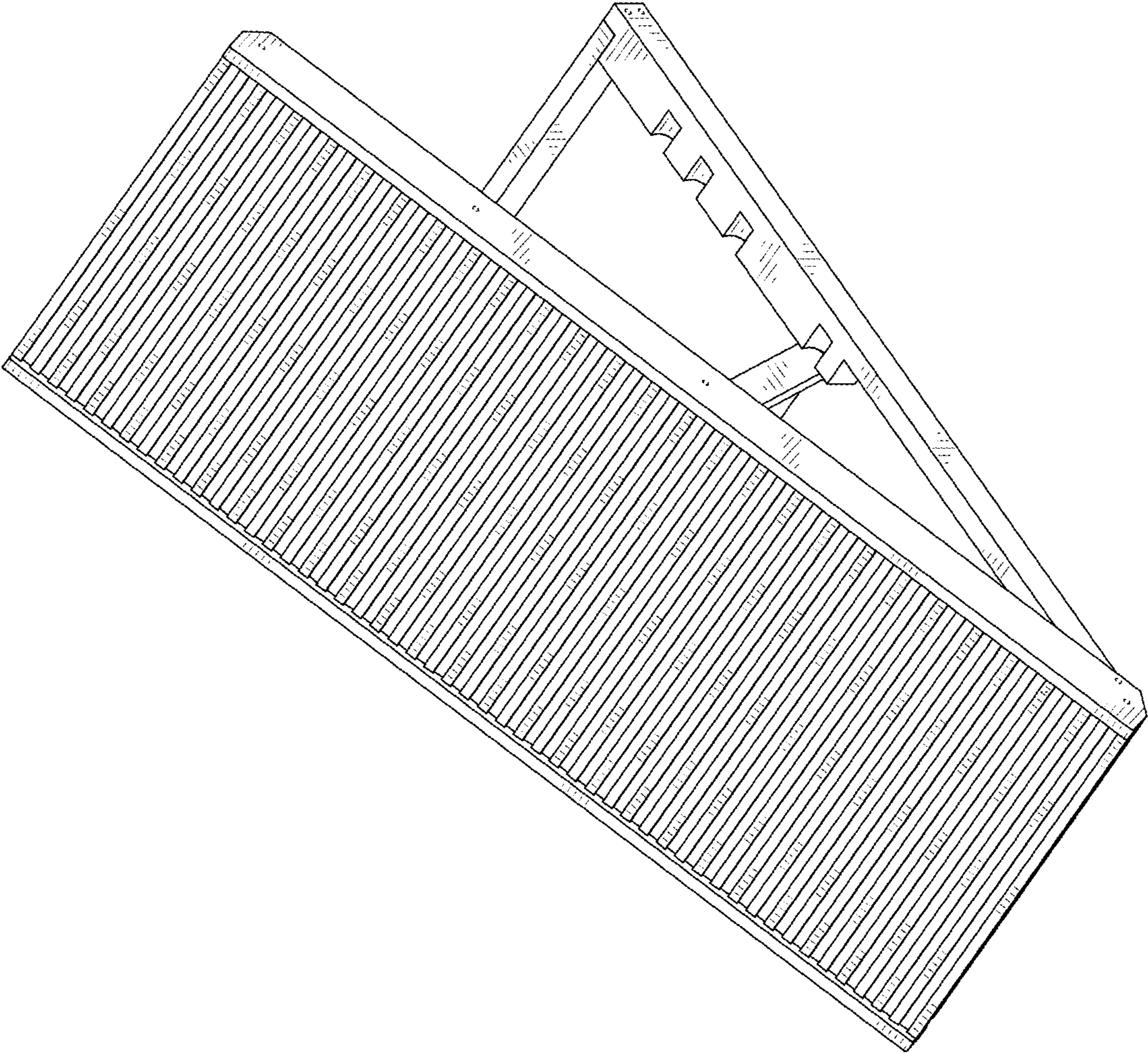


FIG. 1

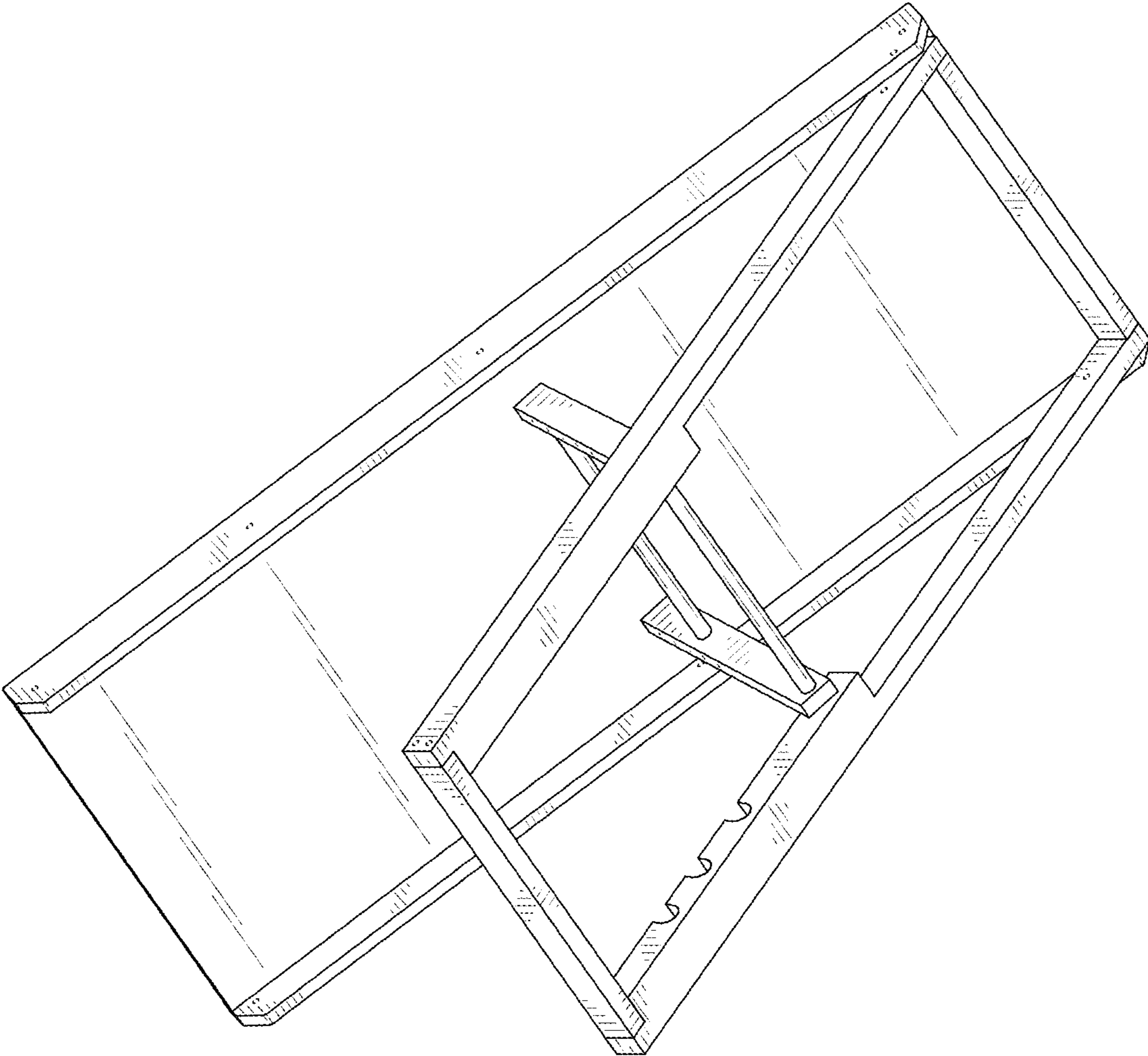


FIG. 2

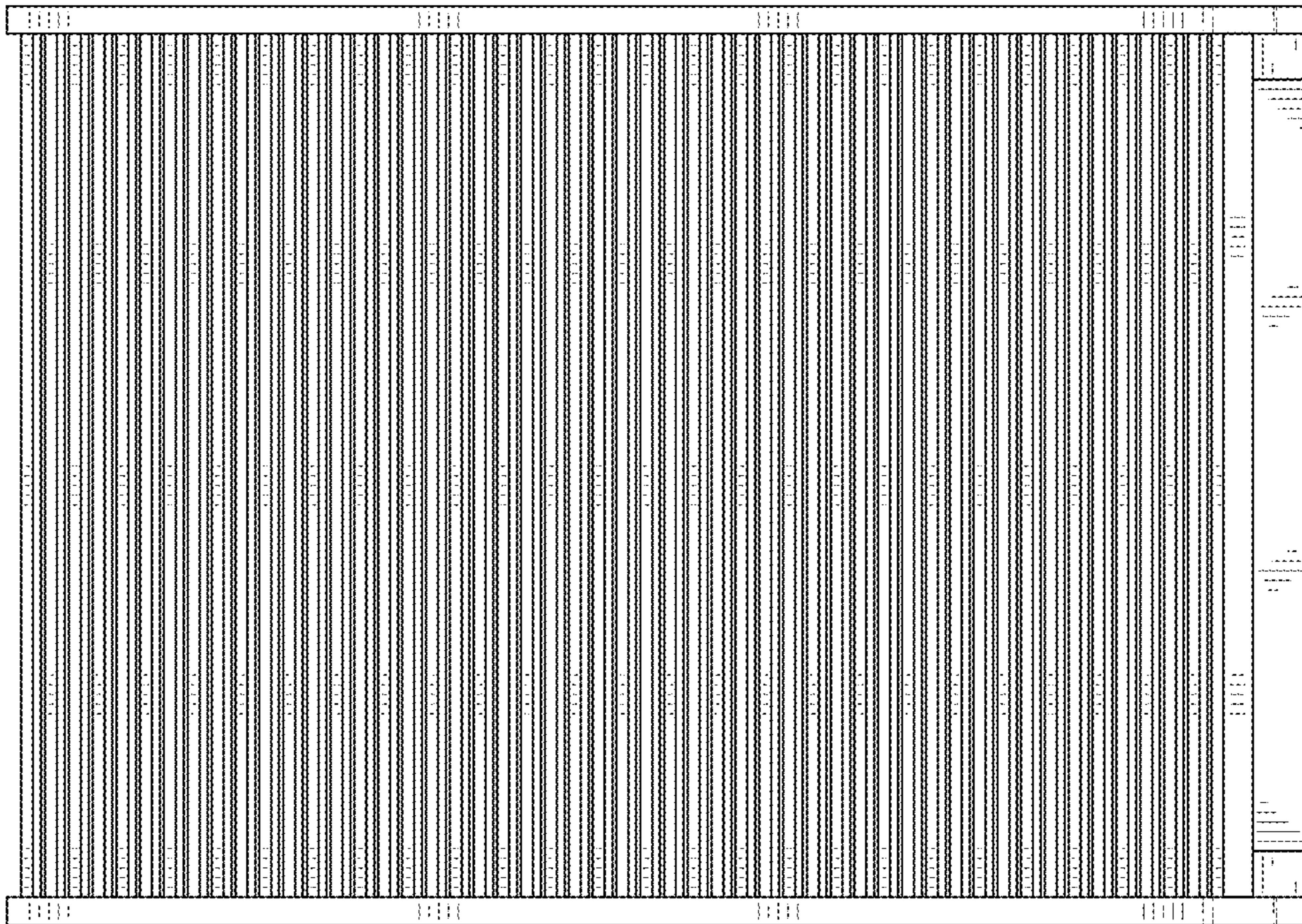


FIG. 3

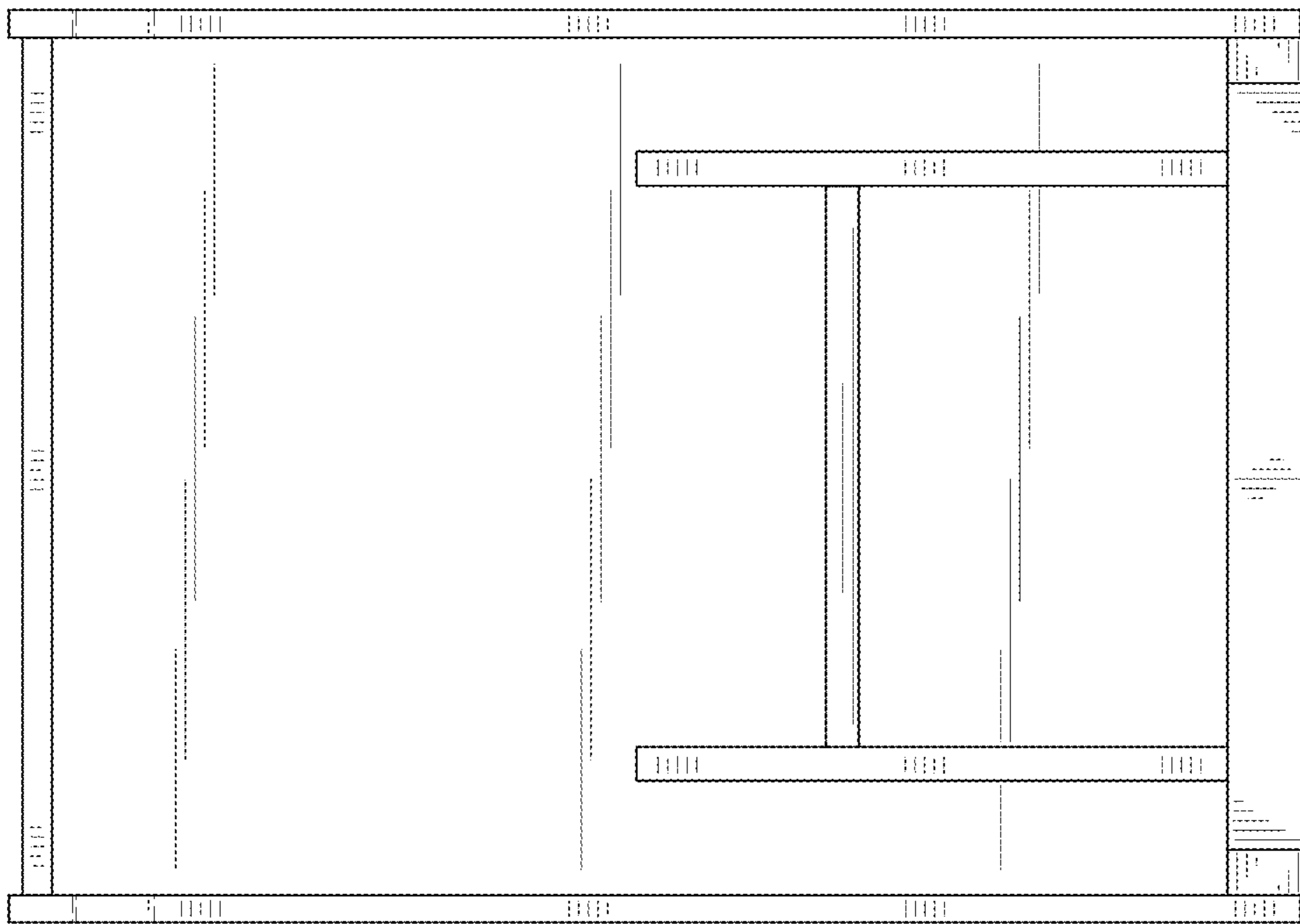


FIG. 4

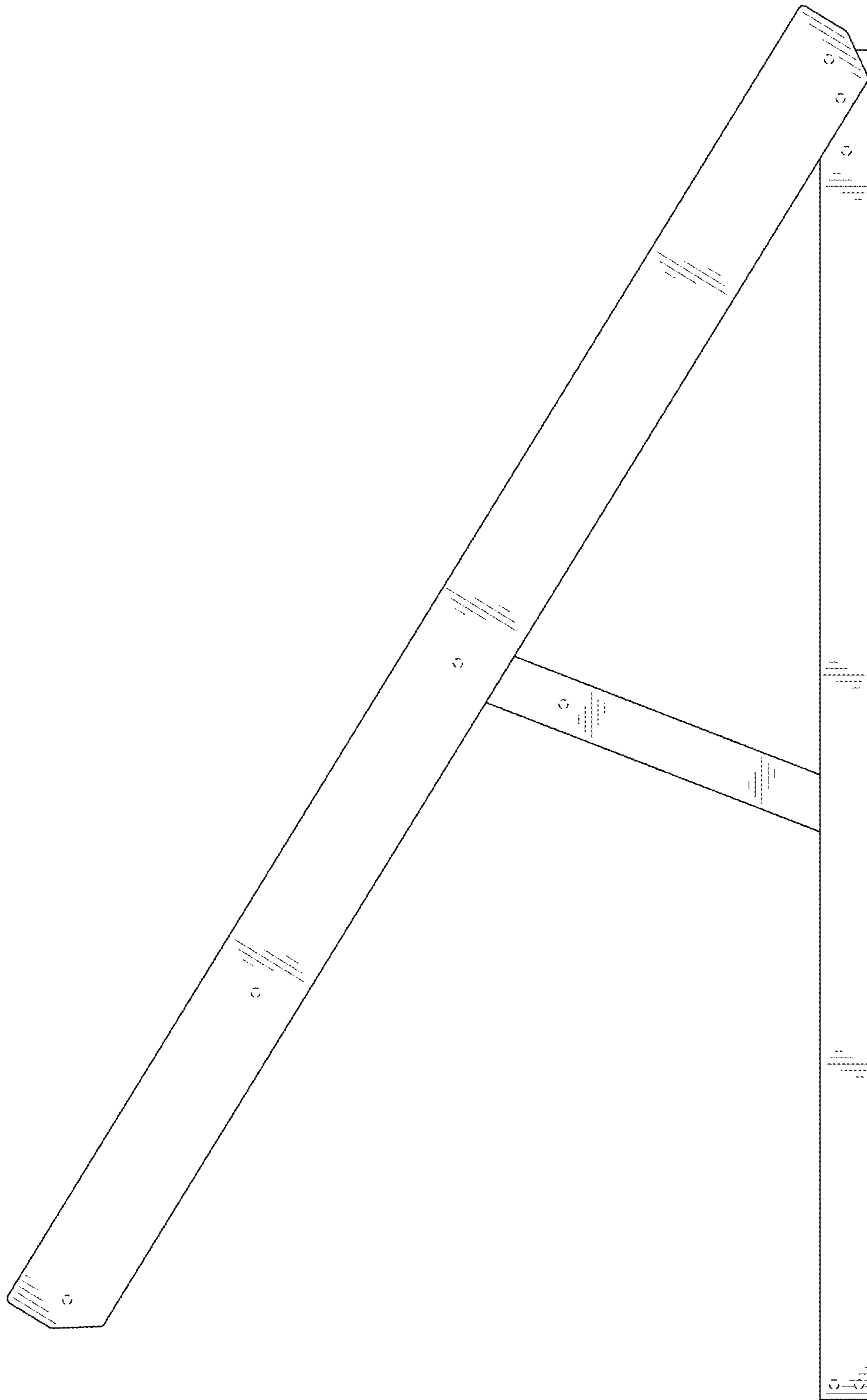


FIG. 5

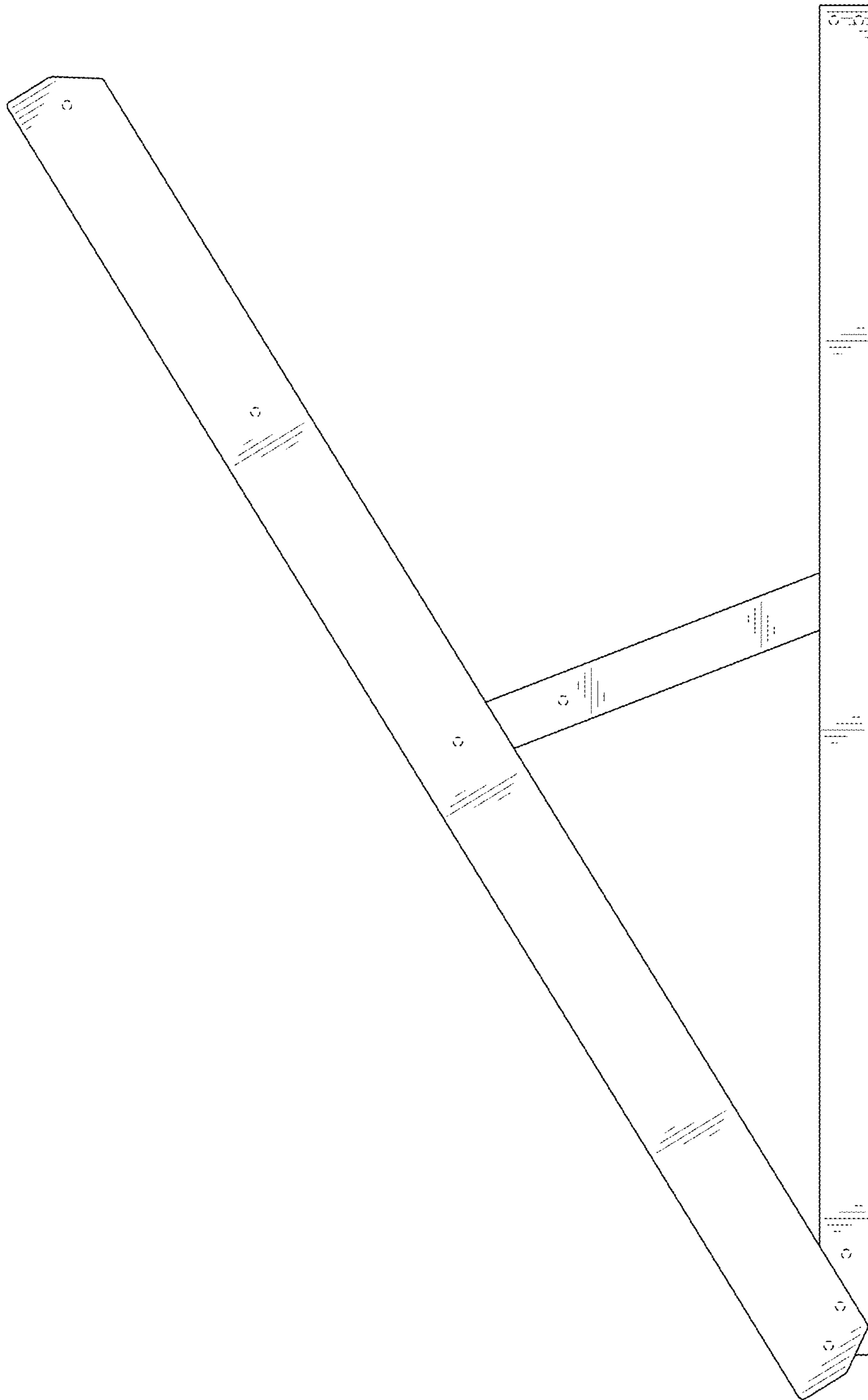


FIG. 6

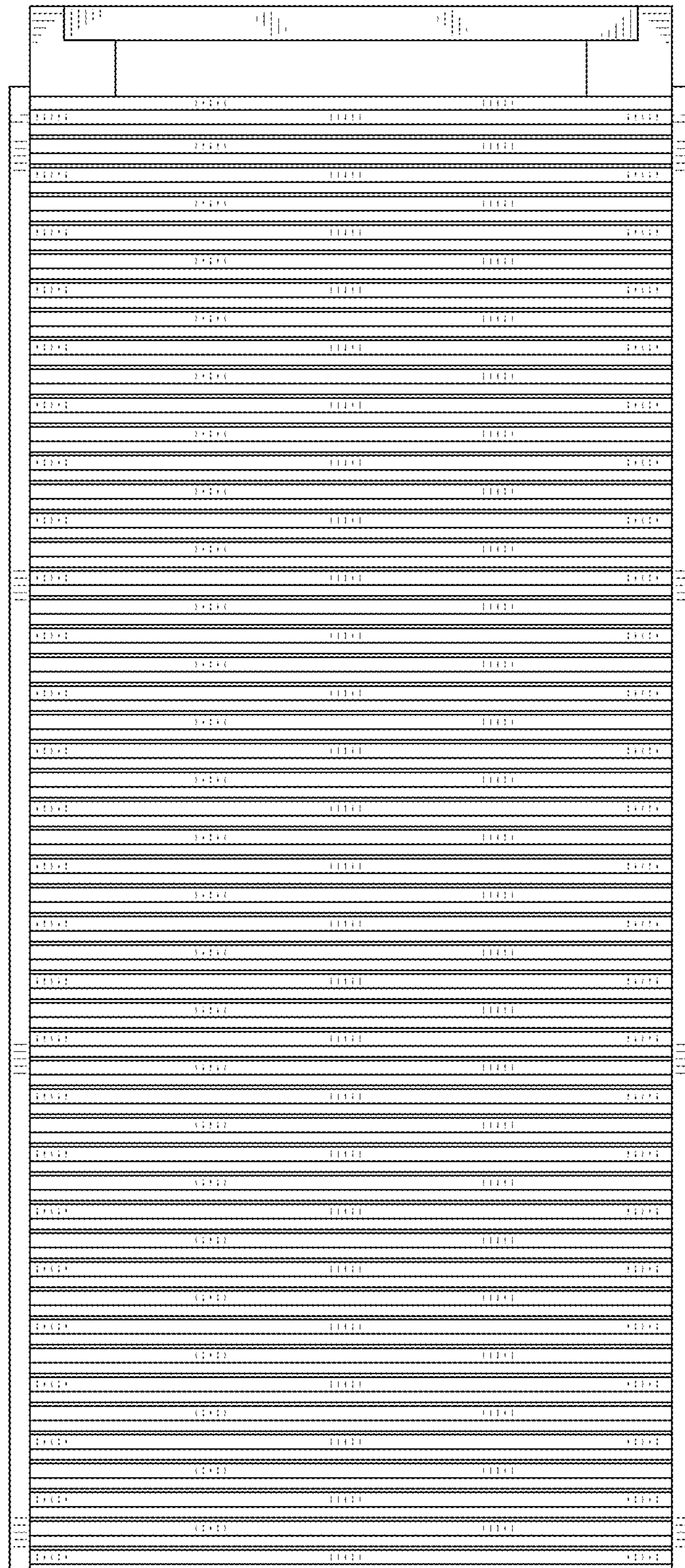


FIG. 7

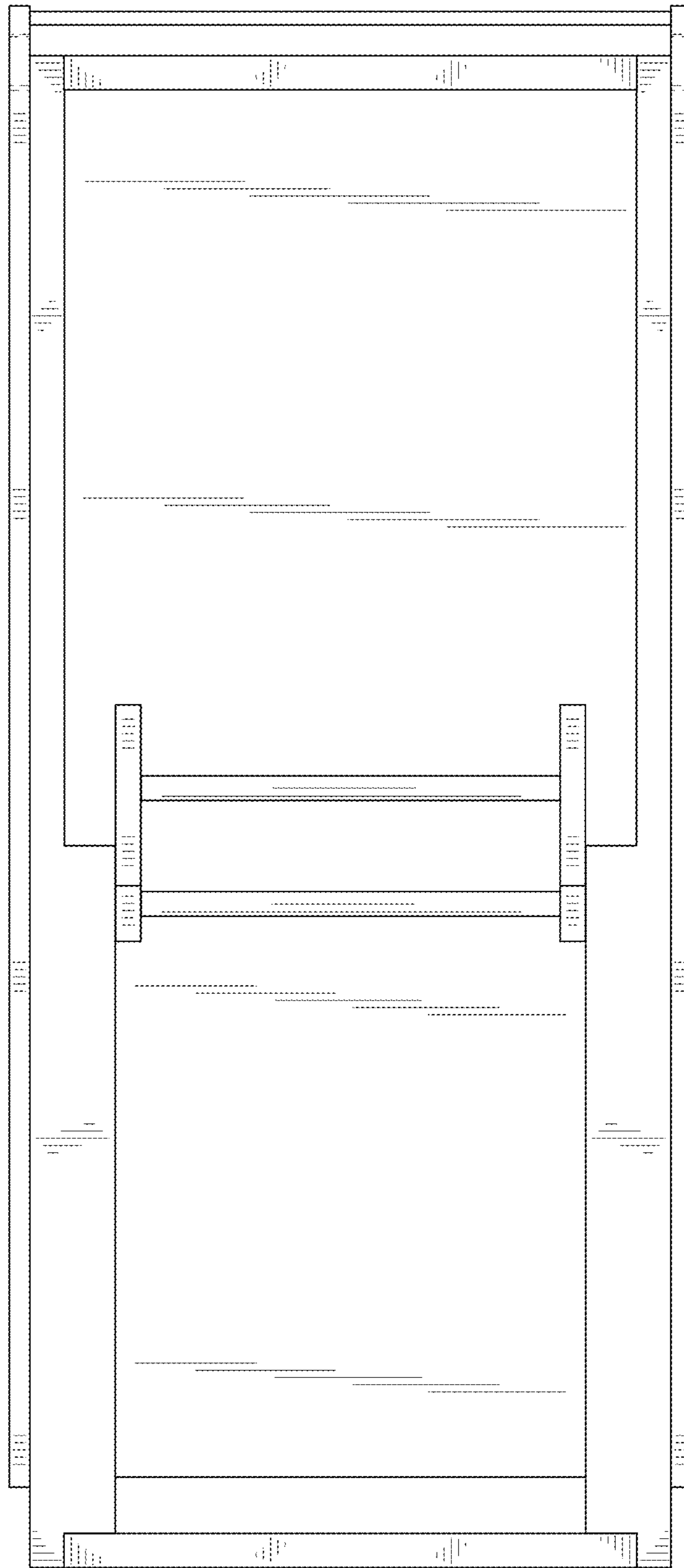


FIG. 8