



US00D987915S

(12) **United States Design Patent**
Luo

(10) **Patent No.:** **US D987,915 S**

(45) **Date of Patent:** **** May 30, 2023**

(54) **RECEIVER FOR DOG TRAINING COLLAR**

(71) Applicant: **Zongjiang Luo**, Hunan (CN)

(72) Inventor: **Zongjiang Luo**, Hunan (CN)

(**) Term: **15 Years**

(21) Appl. No.: **29/799,052**

(22) Filed: **Jul. 12, 2021**

(51) **LOC (14) Cl.** **30-99**

(52) **U.S. Cl.**
USPC **D30/199; D10/104.1**

(58) **Field of Classification Search**

USPC D30/151-155, 144, 199, 160;
119/792-798, 850, 855-859, 863-865,
119/654, 905, 907, 815, 712, 802, 784,
119/769, 760, 776, 862, 908, 860,
119/719-721; 242/381.1-381.2, 385.4,
242/378.3, 376.1, 385.1, 916, 601, 570,
242/405, 404, 371, 223, 170, 388.1,
242/405.2, 377, 381.3, 381.6, 405.3,
242/388.6, 384.7, 382, 396.1, 404.1, 380;
362/108; 33/767, 769, 414; D12/400;
D3/229, 230, 207, 208, 215; 40/1.5, 455,
40/640, 303; 206/63.3, 459.5, 702, 408;
D6/515; D8/358, 360, 347, 360.1, 359,
D8/356, DIG. 1; D24/145, 167, 186, 146,
D24/169; D10/57, 72, 106.1, 104.1,
D10/104.2, 109.2, 70, 97, 98, 78, 65;
D20/28; 224/666, 678; 16/445; 283/74,
283/70; D11/232, 200, 216, 1, 2, 86, 87,
D11/201, 206-210, 212-215, 218;
24/163 K, 122.3, 323, 702, 600.4-600.7,
24/163 R, 169-171, 173, 177-179, 191,
24/194, 195, 197, 200, 303, 616, 635,
24/313, 615, 3, 6, 3 K, 599.2, 96, 221,
24/237, 311, 312, 314, 321, 338, 339,
24/309; 428/3, 4; 54/76, 1, 71; 63/29.1,
63/3; 191/12.2 R, 12.4; D13/154, 153,

D13/137.4, 155, 103, 168; D19/69, 67;
379/438; 446/26; 473/576; D22/140;
174/135; 439/504, 13, 501; D34/33;
188/83, 82.1, 65.1; 254/134.3 FT;
D29/124; D2/627, 624, 633, 625;
132/145, 146, 148; 2/314; 59/79.1;
340/573.3, 573.1, 573, 573.4,
340/539.13-539.19; 343/895;
278/8 AES; 231/7; 361/232; D14/344,
(Continued)

(56) **References Cited**

U.S. PATENT DOCUMENTS

5,617,814 A * 4/1997 Bianco A01K 15/023
119/720
D478,831 S * 8/2003 So D10/104.1
(Continued)

Primary Examiner — Susan Moon Lee
(74) *Attorney, Agent, or Firm* — Jeenam Park

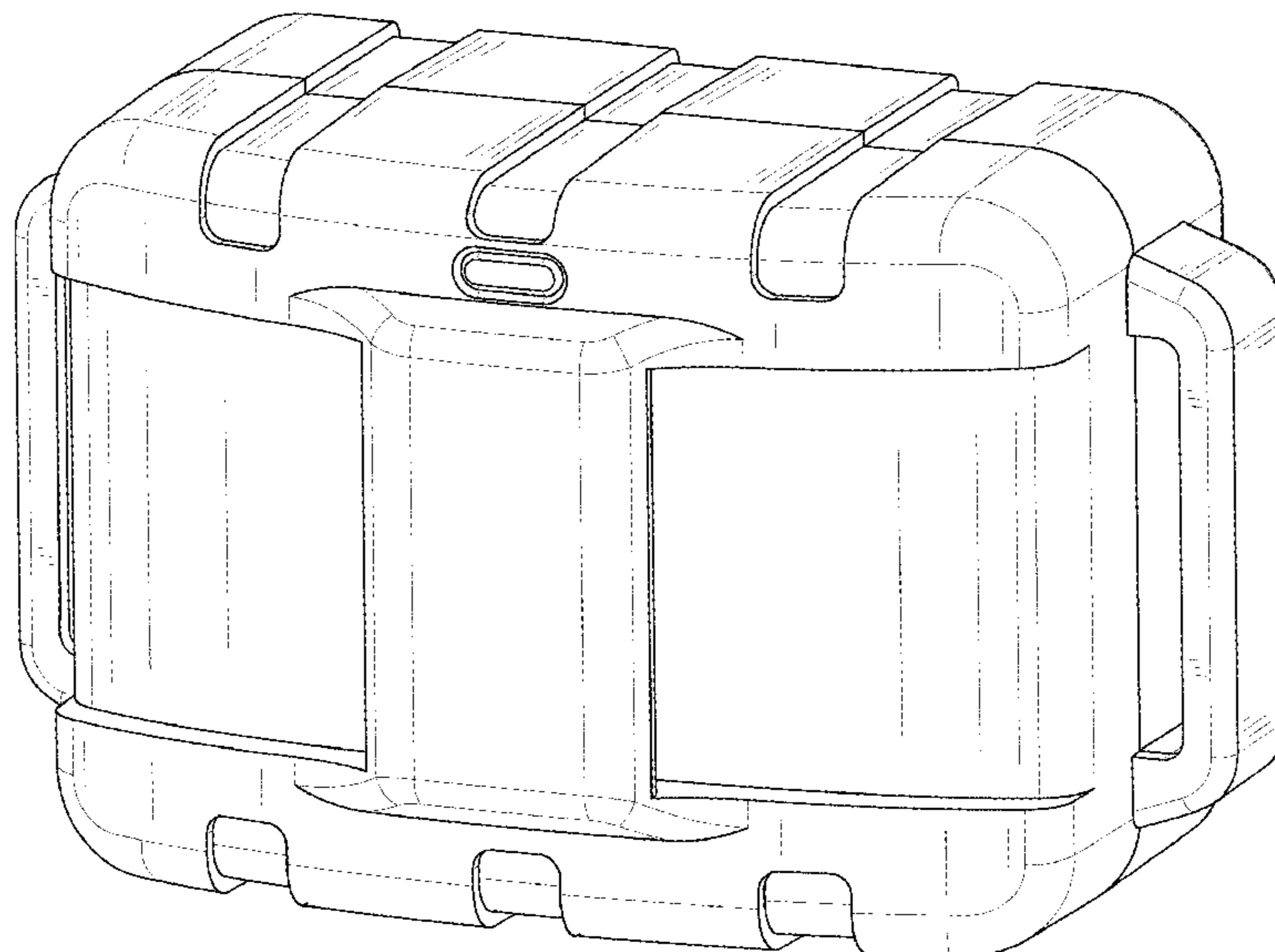
(57) **CLAIM**

The ornamental design for a receiver for dog training collar,
as shown and described.

DESCRIPTION

FIG. 1 is a front, right, and top perspective view of a receiver
for dog training collar, showing my design.
FIG. 2 is a rear, left, and bottom perspective view thereof.
FIG. 3 is a front elevation view thereof.
FIG. 4 is a rear elevation view thereof.
FIG. 5 is a left side elevation view thereof.
FIG. 6 is a right side elevation view thereof.
FIG. 7 is a top plan view thereof; and,
FIG. 8 is a bottom plan view thereof.
The broken lines shown in the drawings are included for the
purpose of illustrating portions of the receiver for dog
training collar that form no part of the claimed design.

1 Claim, 8 Drawing Sheets



(58) **Field of Classification Search**

USPC D14/341, 137, 155, 496, 203.5, 203.3,
 D14/144, 218, 188, 216, 192;
 342/357.51, 357.57, 357.52, 357.55;
 455/100, 352, 456.1, 550.1; 315/291
 CPC A01K 15/021; A01K 15/02; A01K 15/022;
 A01K 15/023; A01K 15/029; A01K
 15/04; A01K 15/00; A01K 15/006; A01K
 12/022; A01K 27/009; A01K 27/00;
 A01K 27/001; A01K 27/006-008; A01K
 29/005; A01K 29/00; A61B 5/0002-0028;
 A61B 5/681; A61B 5/6822; A61B
 5/6824; A61B 5/6829; G01S 5/0294

See application file for complete search history.

(56) **References Cited**

U.S. PATENT DOCUMENTS

D482,979 S * 12/2003 So D10/104.1
 D526,590 S * 8/2006 So D10/104.1
 D640,629 S * 6/2011 Levitt D13/103
 D659,088 S * 5/2012 Steinberg D13/106
 D683,915 S * 6/2013 So D30/152
 D706,500 S * 6/2014 Hu D30/152

D742,817 S * 11/2015 Lammers-Meis D13/103
 D798,003 S * 9/2017 Dong D30/199
 D811,016 S * 2/2018 Liu D30/152
 D817,557 S * 5/2018 Liu D30/152
 D819,280 S * 5/2018 Li D30/152
 D822,921 S * 7/2018 Wen D30/199
 D835,364 S * 12/2018 Lee D10/104.1
 D870,399 S * 12/2019 Van Curen D30/152
 D879,390 S * 3/2020 Cai D10/104.1
 D890,456 S * 7/2020 Dai D30/199
 D898,308 S * 10/2020 Yang D10/104.1
 D898,613 S * 10/2020 Stapleton D11/216
 D910,306 S * 2/2021 Chui D3/205
 D925,141 S * 7/2021 Lai D10/104.1
 D926,396 S * 7/2021 Jia D10/104.1
 11,094,224 B2 * 8/2021 Stapleton G09F 3/08
 D938,669 S * 12/2021 Jia D10/104.1
 D953,667 S * 5/2022 Li D30/152
 D965,925 S * 10/2022 Zhu D10/104.1
 D965,926 S * 10/2022 Mo D10/104.1
 D966,633 S * 10/2022 Jia D10/104.1
 D967,569 S * 10/2022 Chen D10/104.1
 D973,979 S * 12/2022 Zhong D30/152
 D973,980 S * 12/2022 Zhong D30/152
 D977,766 S * 2/2023 Jia D10/104.1
 2016/0192623 A1 * 7/2016 Rich A01K 15/023
 119/721

* cited by examiner

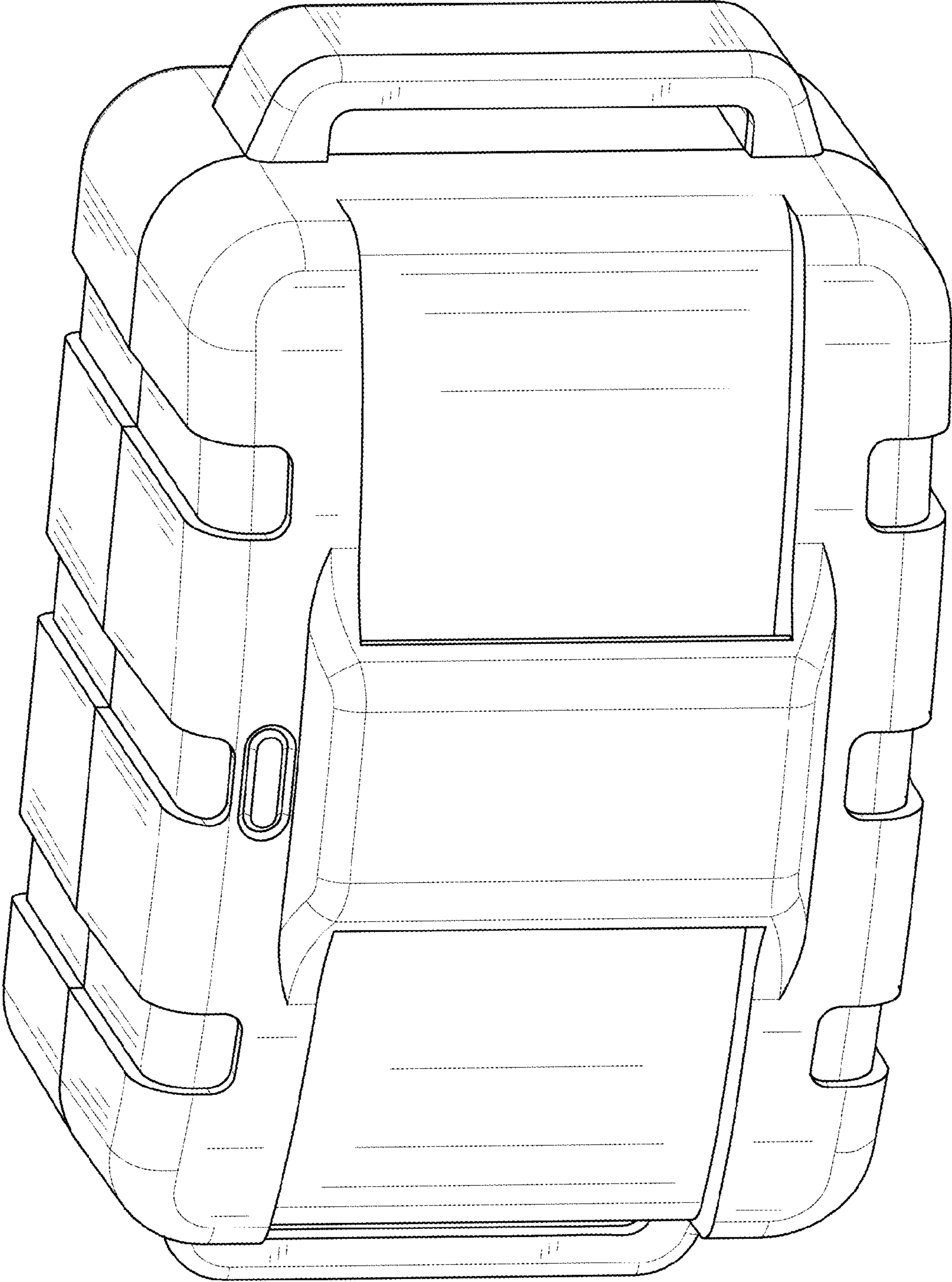


FIG. 1

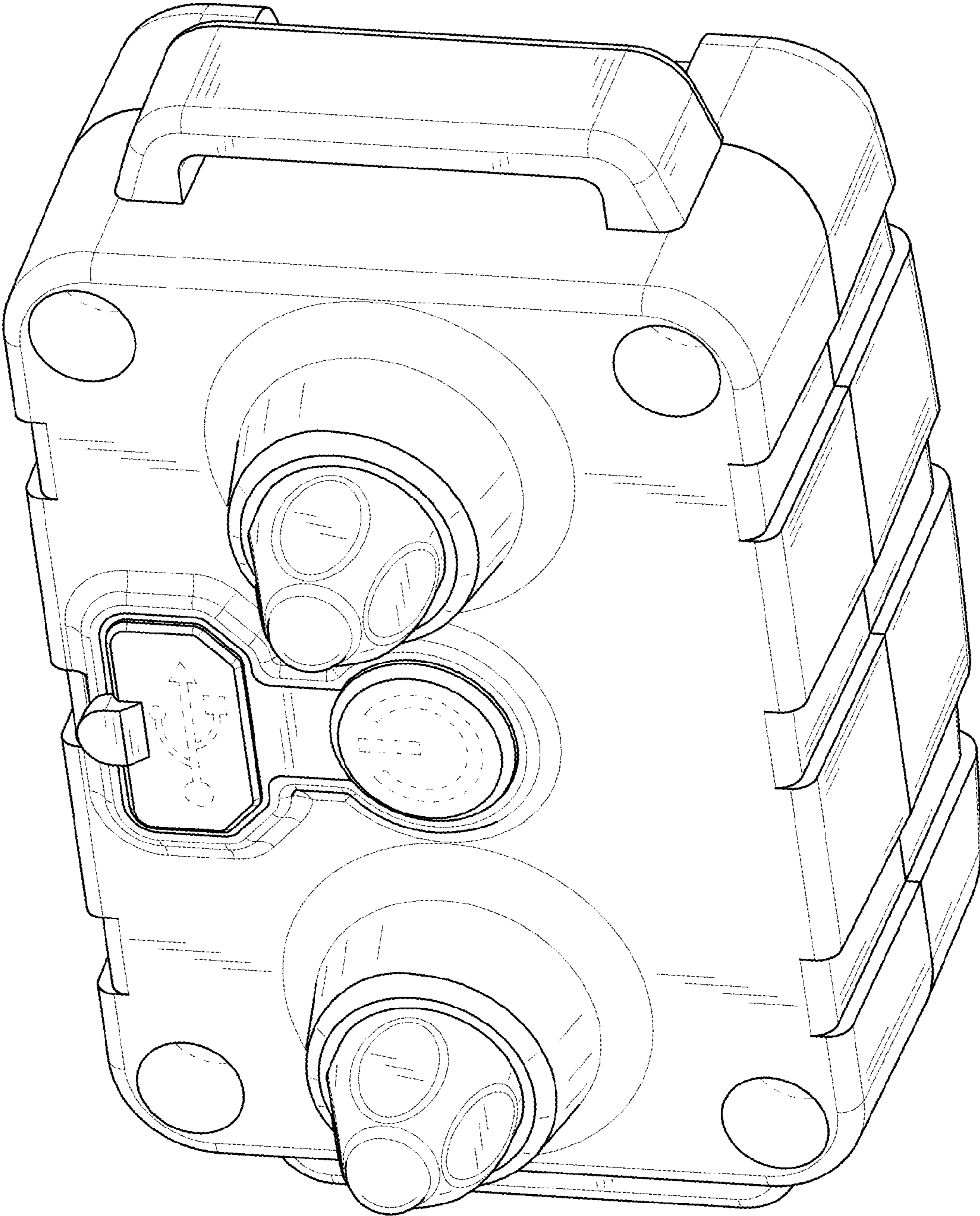


FIG. 2

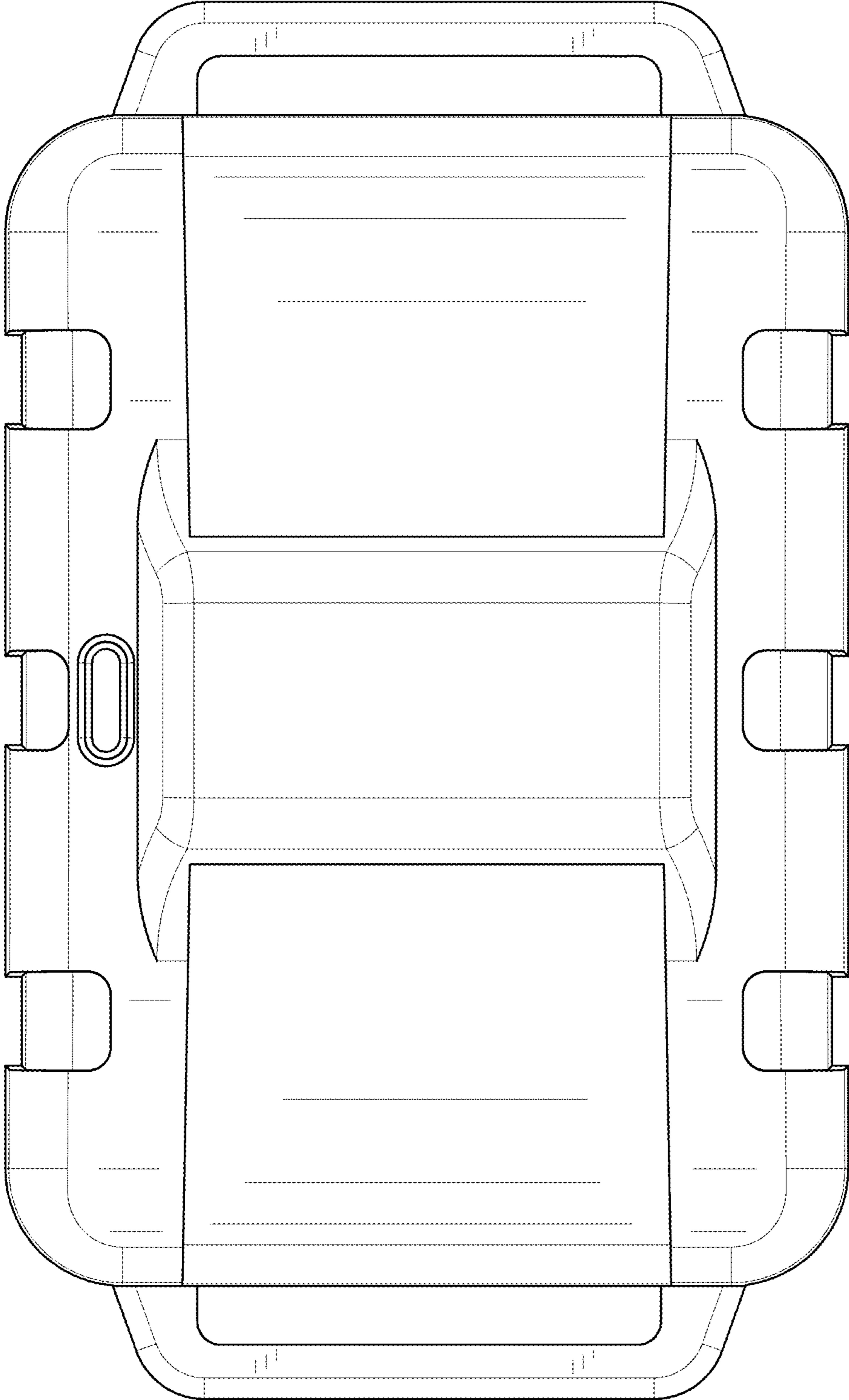


FIG. 3

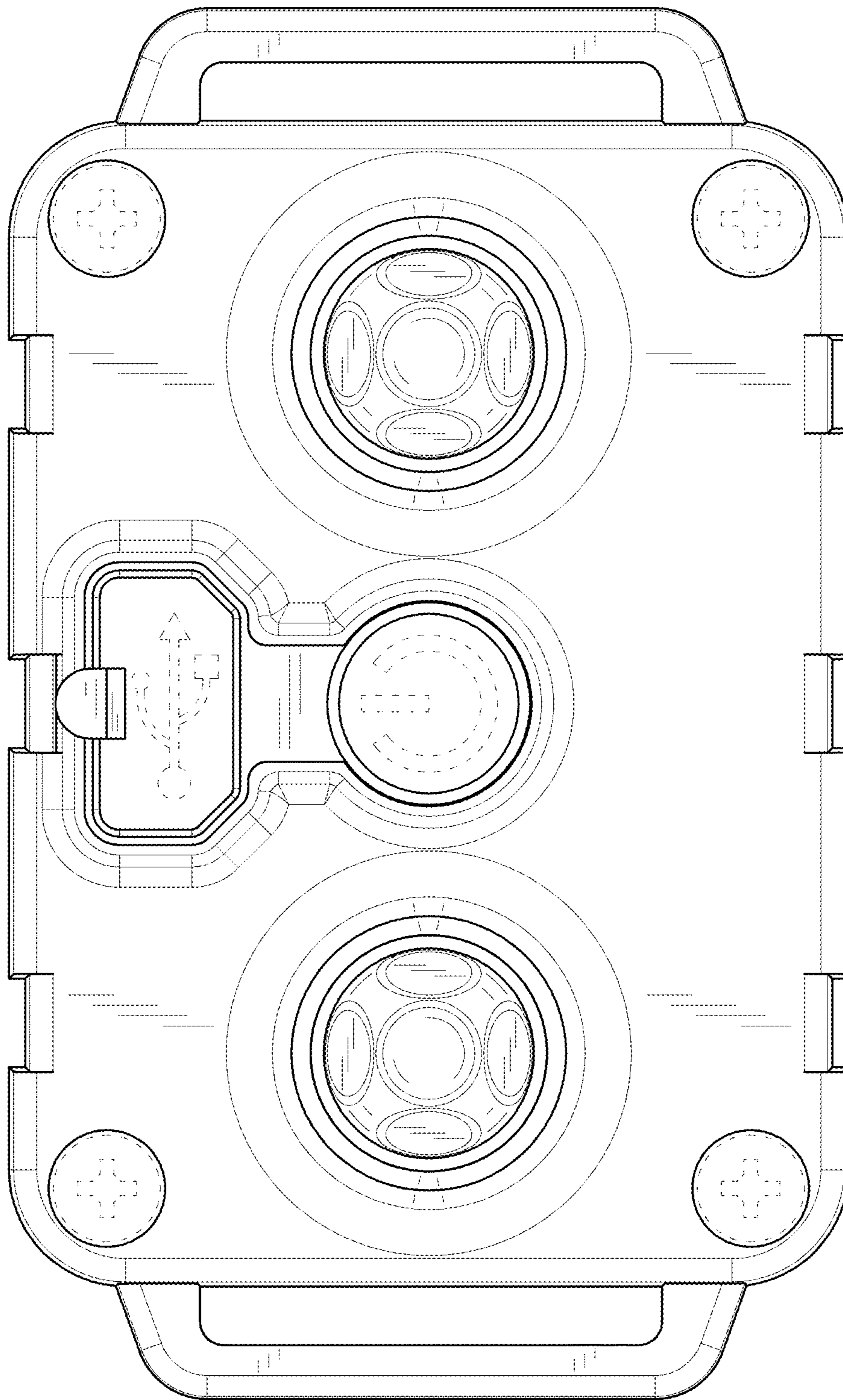


FIG. 4

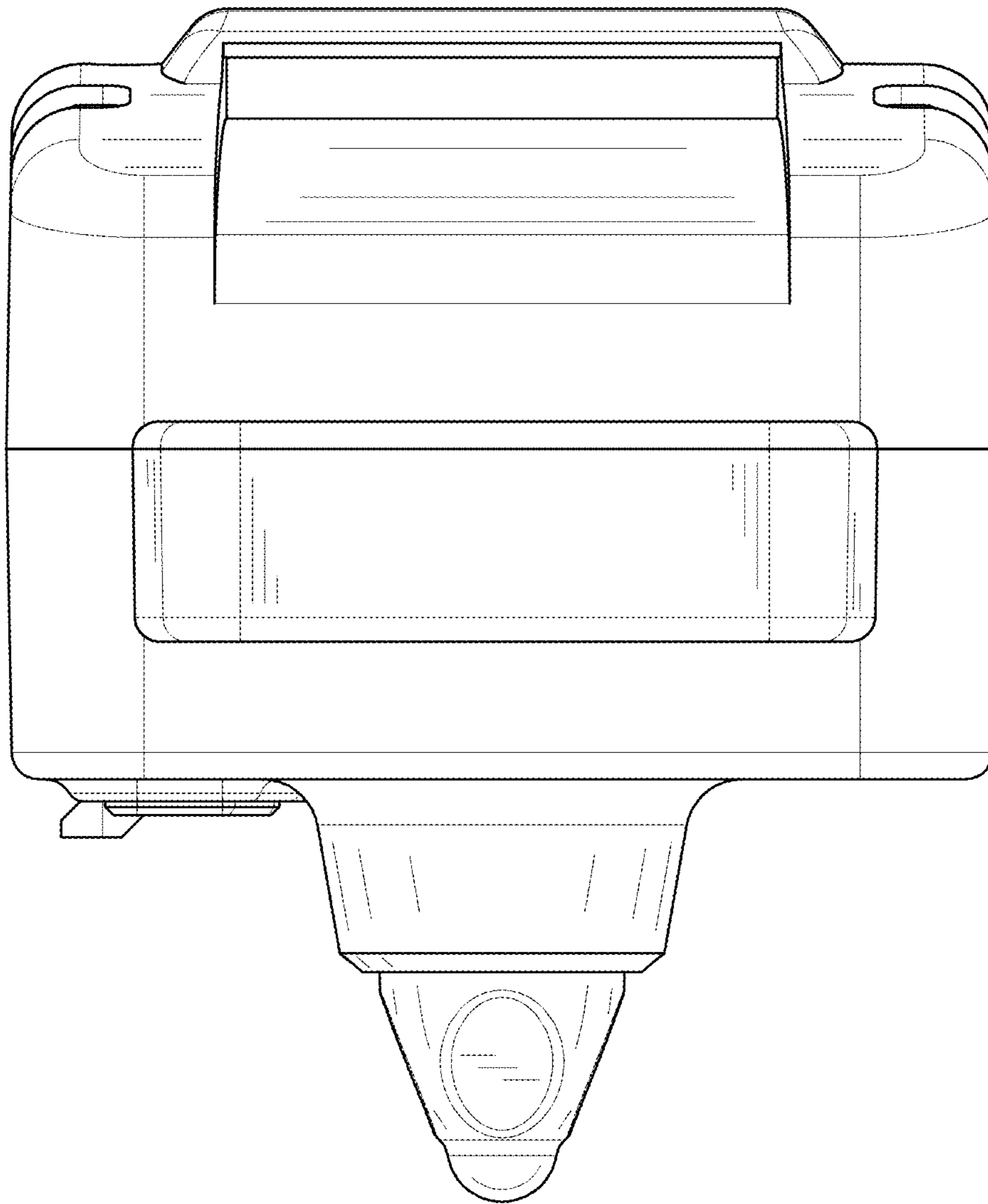


FIG. 5

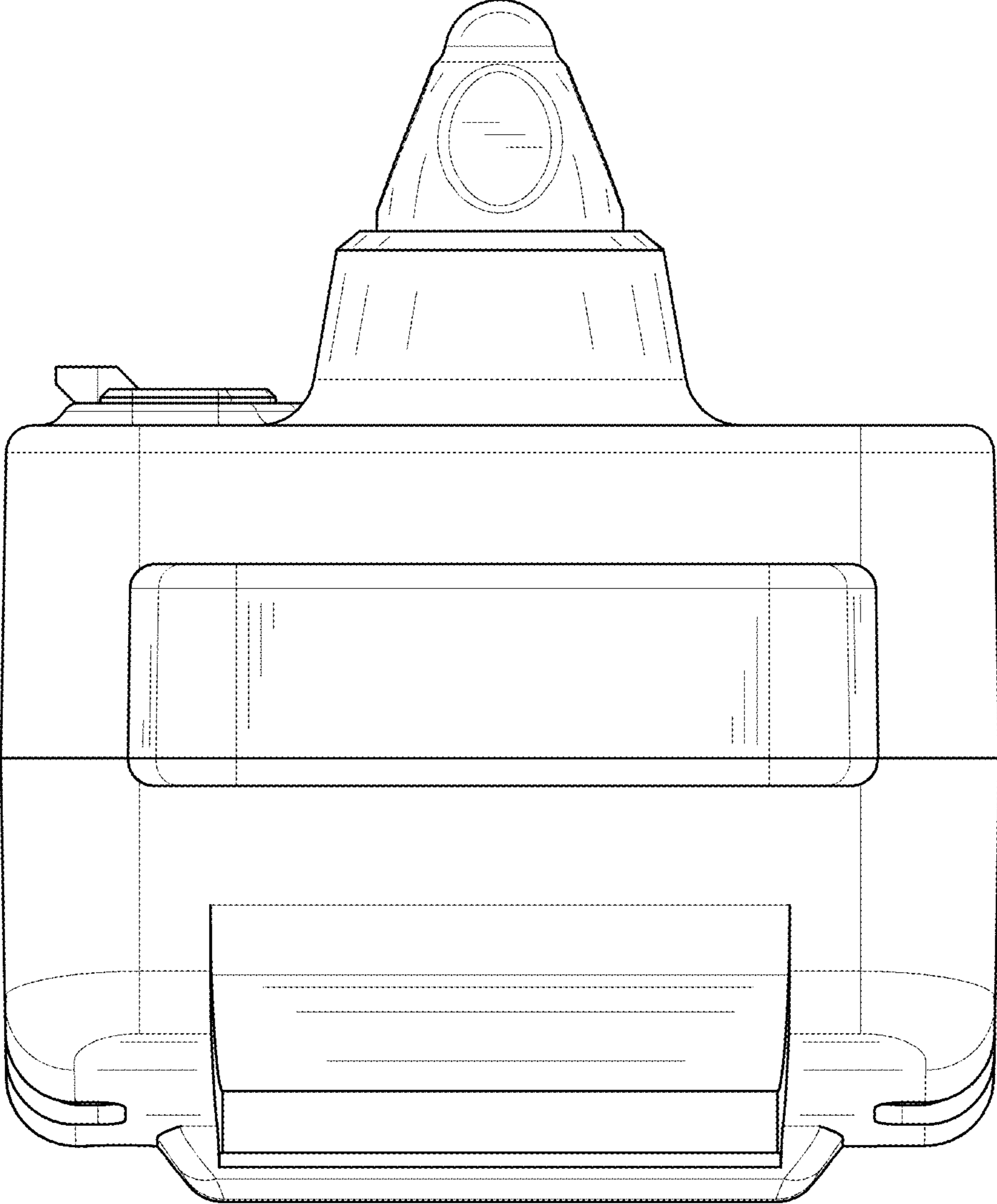


FIG. 6

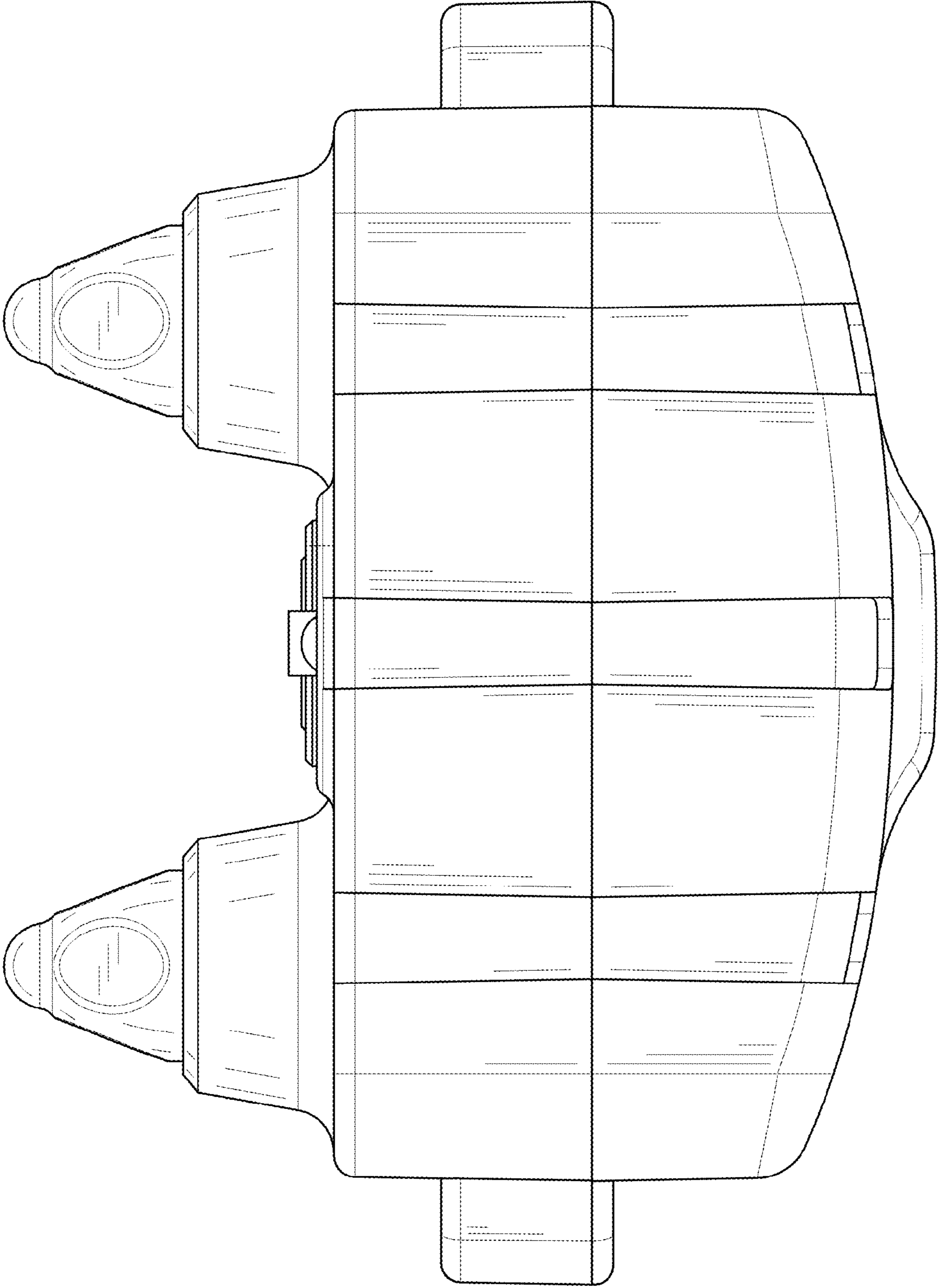


FIG. 7

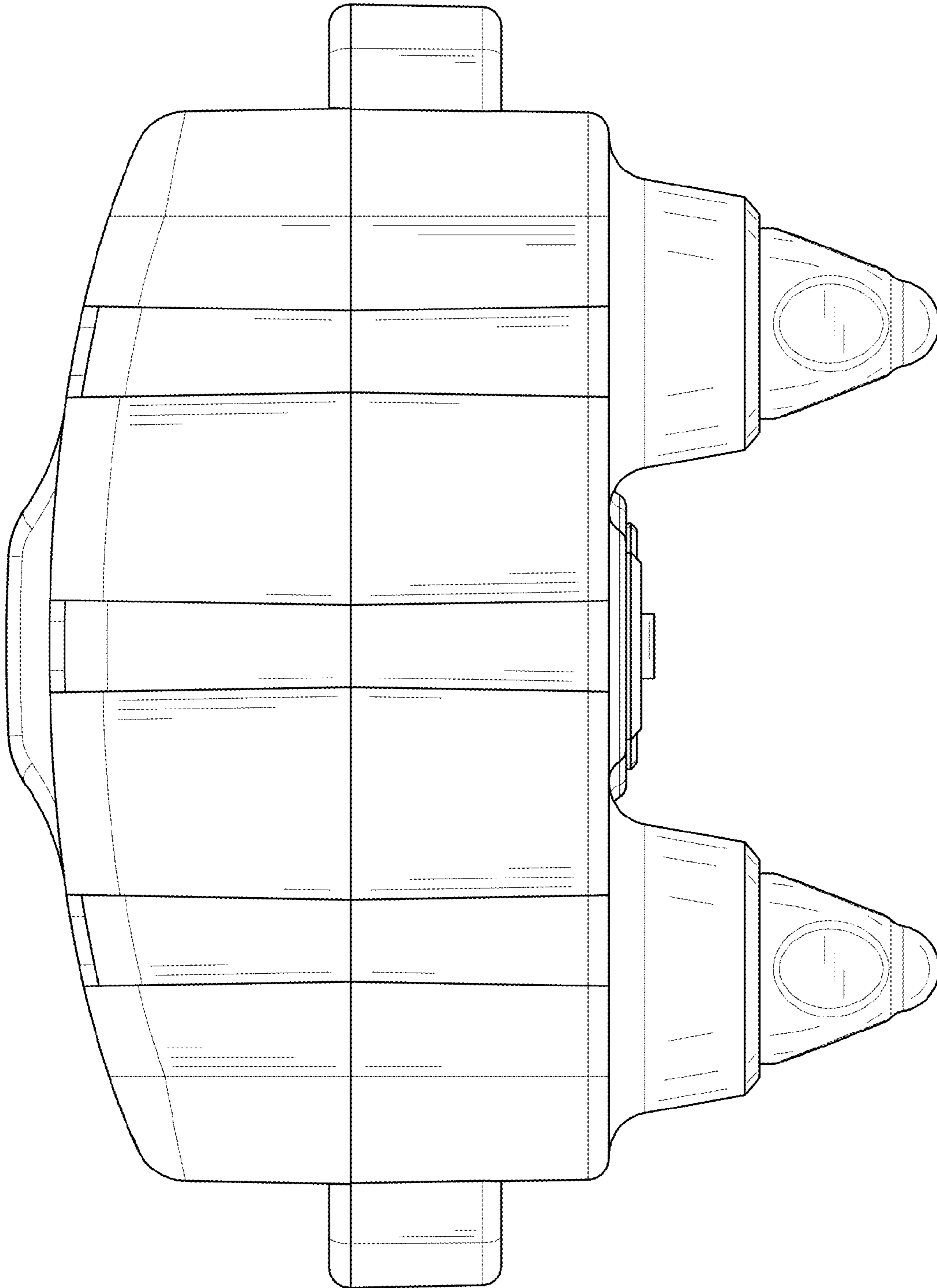


FIG. 8