



US00D987914S

(12) **United States Design Patent**  
**Zhang**

(10) **Patent No.:** **US D987,914 S**

(45) **Date of Patent:** **\*\* May 30, 2023**

(54) **PET TRAINING DEVICE**

(71) Applicant: **Wei qin Zhang**, Biyang (CN)

(72) Inventor: **Wei qin Zhang**, Biyang (CN)

(\*\*) Term: **15 Years**

(21) Appl. No.: **29/789,713**

(22) Filed: **Oct. 14, 2021**

(51) **LOC (14) Cl.** ..... **30-99**

(52) **U.S. Cl.**  
USPC ..... **D30/199; D10/104.1**

(58) **Field of Classification Search**  
USPC ..... **D30/151-155, 144, 199, 160;**

**119/792-798, 850, 855-859, 863-865,**  
**119/654, 905, 907, 815, 712, 802, 784,**  
**119/769, 760, 776, 862, 908, 860,**  
**119/719-721; 242/381.1-381.2, 385.4,**  
**242/378.3, 376.1, 385.1, 916, 601, 570,**  
**242/405, 404, 371, 223, 170, 388.1,**  
**242/405.2, 377, 381.3, 381.6, 405.3,**  
**242/388.6, 384.7, 382, 396.1, 404.1, 380;**  
**362/108; 33/767, 769, 414; D12/400;**  
**D3/229, 230, 207, 208, 215; 40/1.5, 455,**  
**40/640, 303; 206/63.3, 459.5, 702, 408;**  
**D6/515; D8/358, 360, 347, 360.1, 359,**  
**D8/356, DIG. 1; D24/145, 167, 186, 146,**  
**D24/169; D10/57, 72, 106.1, 104.1,**  
**D10/104.2, 109.2, 70, 97, 98, 78, 65;**  
**D20/28; 224/666, 678; 16/445; 283/74,**  
**283/70; D11/232, 200, 216, 1, 2, 86, 87,**  
**D11/201, 206-210, 212-215, 218;**  
**24/163 K, 122.3, 323, 702, 600.4-600.7,**  
**24/163 R, 169-171, 173, 177-179, 191,**  
**24/194, 195, 197, 200, 303, 616, 635,**  
**24/313, 615, 3, 6, 3 K, 599.2, 96, 221,**  
**24/237, 311, 312, 314, 321, 338, 339,**  
**24/309; 428/3, 4; 54/76, 1, 71; 63/29.1,**  
**63/3; 191/12.2 R, 12.4; D13/154, 153,**  
**D13/137.4, 155, 103, 168; D19/69, 67;**

379/438; 446/26; 473/576; D22/140;  
174/135; 439/504, 13, 501; D34/33;  
188/83, 82.1, 65.1; 254/134.3 FT;  
D29/124; D2/627, 624, 633, 625;  
132/145, 146, 148; 2/314; 59/79.1;  
340/573.3, 573.1, 573, 573.4,  
340/539.13-539.19; 343/895;  
278/8 AES; 231/7; 361/232; D14/344,  
D14/341, 137, 155, 496, 203.5, 203.3,  
D14/144, 218, 188, 216, 192;  
(Continued)

(56) **References Cited**

U.S. PATENT DOCUMENTS

D395,882 S \* 7/1998 Cross ..... D14/137  
D482,630 S \* 11/2003 So ..... D30/199  
(Continued)

*Primary Examiner* — Susan Moon Lee  
(74) *Attorney, Agent, or Firm* — Runit Ranjit Kanakia

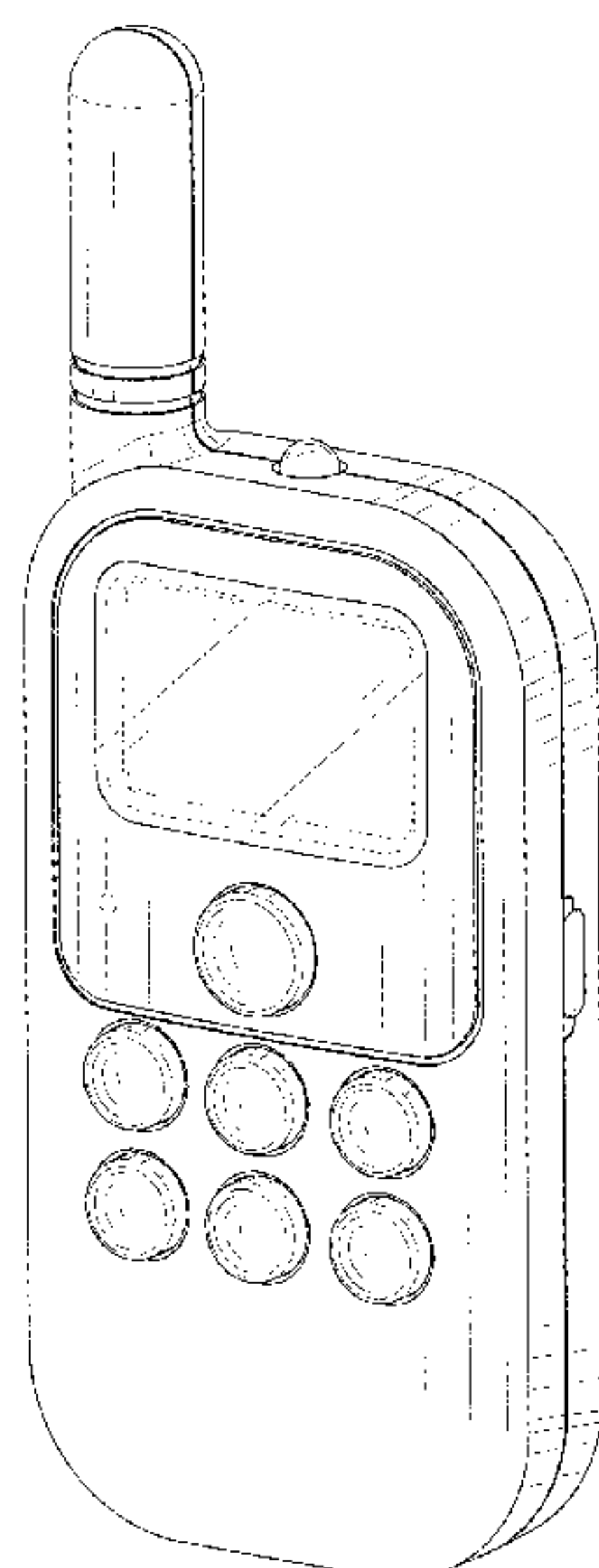
(57) **CLAIM**

The ornamental design for a pet training device, as shown and described.

**DESCRIPTION**

FIG. 1 is a first perspective view of a pet training device showing my new design;  
FIG. 2 is a second perspective view thereof;  
FIG. 3 is a front view thereof;  
FIG. 4 is a back view thereof;  
FIG. 5 is a left side view thereof;  
FIG. 6 is a right side view thereof;  
FIG. 7 is a top view thereof; and,  
FIG. 8 is a bottom view thereof.  
The broken lines shown in the drawings depict portions of the pet training device in which the design is embodied that form no part of the claimed design.

**1 Claim, 8 Drawing Sheets**



(58) **Field of Classification Search**

USPC ..... 342/357.51, 357.57, 357.52, 357.55;  
 455/100, 352, 456.1, 550.1; 315/291  
 CPC .... A01K 15/021; A01K 15/02; A01K 15/022;  
 A01K 15/023; A01K 15/029; A01K  
 15/04; A01K 15/00; A01K 15/006; A01K  
 12/022; A01K 27/009; A01K 27/00;  
 A01K 27/001; A01K 27/006-008; A01K  
 29/005; A01K 29/00; A61B 5/0002-0028;  
 A61B 5/681; A61B 5/6822; A61B  
 5/6824; A61B 5/6829; G01S 5/0294

See application file for complete search history.

(56) **References Cited**

U.S. PATENT DOCUMENTS

D576,128 S \* 9/2008 Tran ..... D14/137  
 D700,148 S \* 2/2014 Paul ..... D13/168  
 D711,848 S \* 8/2014 Liu ..... D14/155  
 D719,708 S \* 12/2014 Ye ..... D10/104.1  
 D737,004 S \* 8/2015 Russell ..... D30/199  
 D774,935 S \* 12/2016 Liu ..... D10/104.1  
 D807,212 S \* 1/2018 Chen ..... D10/78  
 D835,860 S \* 12/2018 Li ..... D30/199  
 D862,812 S \* 10/2019 Jia ..... D10/104.1  
 D867,322 S \* 11/2019 Yan ..... D13/168  
 D876,381 S \* 2/2020 Suzuki ..... D14/137  
 D879,390 S \* 3/2020 Cai ..... D10/104.1  
 D880,442 S \* 4/2020 Wang ..... D14/137  
 D881,486 S \* 4/2020 Li ..... D10/104.1

D883,829 S \* 5/2020 Nytko ..... D10/104.1  
 D884,995 S \* 5/2020 Ni ..... D10/104.1  
 D889,424 S \* 7/2020 Chen ..... D14/137  
 D897,057 S \* 9/2020 Jia ..... D10/104.1  
 D899,016 S \* 10/2020 Jia ..... D10/104.1  
 D914,628 S \* 3/2021 Wang ..... D14/137  
 D915,319 S \* 4/2021 Tschopp ..... D14/137  
 D924,826 S \* 7/2021 Tschopp ..... D14/137  
 D925,142 S \* 7/2021 Jia ..... D10/104.1  
 D925,485 S \* 7/2021 Wang ..... D14/137  
 D927,442 S \* 8/2021 Hong ..... D14/137  
 D930,294 S \* 9/2021 Jia ..... D10/104.1  
 D931,246 S \* 9/2021 Hong ..... D14/137  
 D933,036 S \* 10/2021 Hong ..... D14/137  
 D936,917 S \* 11/2021 Li ..... D10/104.1  
 D944,471 S \* 2/2022 Li ..... D10/104.1  
 D946,218 S \* 3/2022 Xiao ..... D10/104.1  
 D948,467 S \* 4/2022 Wang ..... D14/137  
 D950,866 S \* 5/2022 Wen ..... D10/104.1  
 D951,894 S \* 5/2022 Xiao ..... D14/137  
 D952,968 S \* 5/2022 Li ..... D10/104.1  
 D955,670 S \* 6/2022 Tan ..... D10/104.1  
 D961,863 S \* 8/2022 Zhu ..... D10/104.1  
 D963,967 S \* 9/2022 Jia ..... D10/104.1  
 D964,669 S \* 9/2022 Wei ..... D10/104.1  
 D968,728 S \* 11/2022 Ye ..... D10/104.1  
 D970,129 S \* 11/2022 Zhang ..... D10/104.1  
 D973,612 S \* 12/2022 Chen ..... D14/137  
 D973,979 S \* 12/2022 Zhong ..... D30/152  
 D976,503 S \* 1/2023 Jia ..... D10/104.1  
 2014/0261233 A1 \* 9/2014 So ..... A01K 27/009  
 119/720

\* cited by examiner

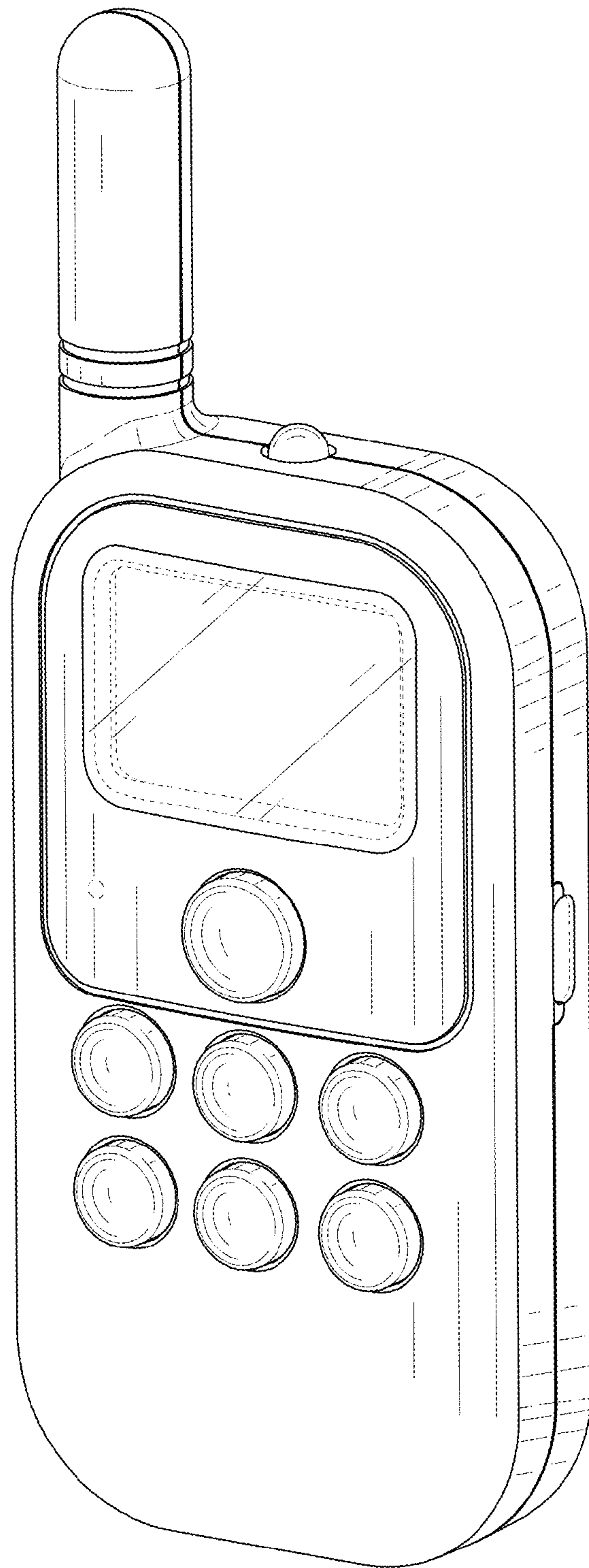


FIG. 1

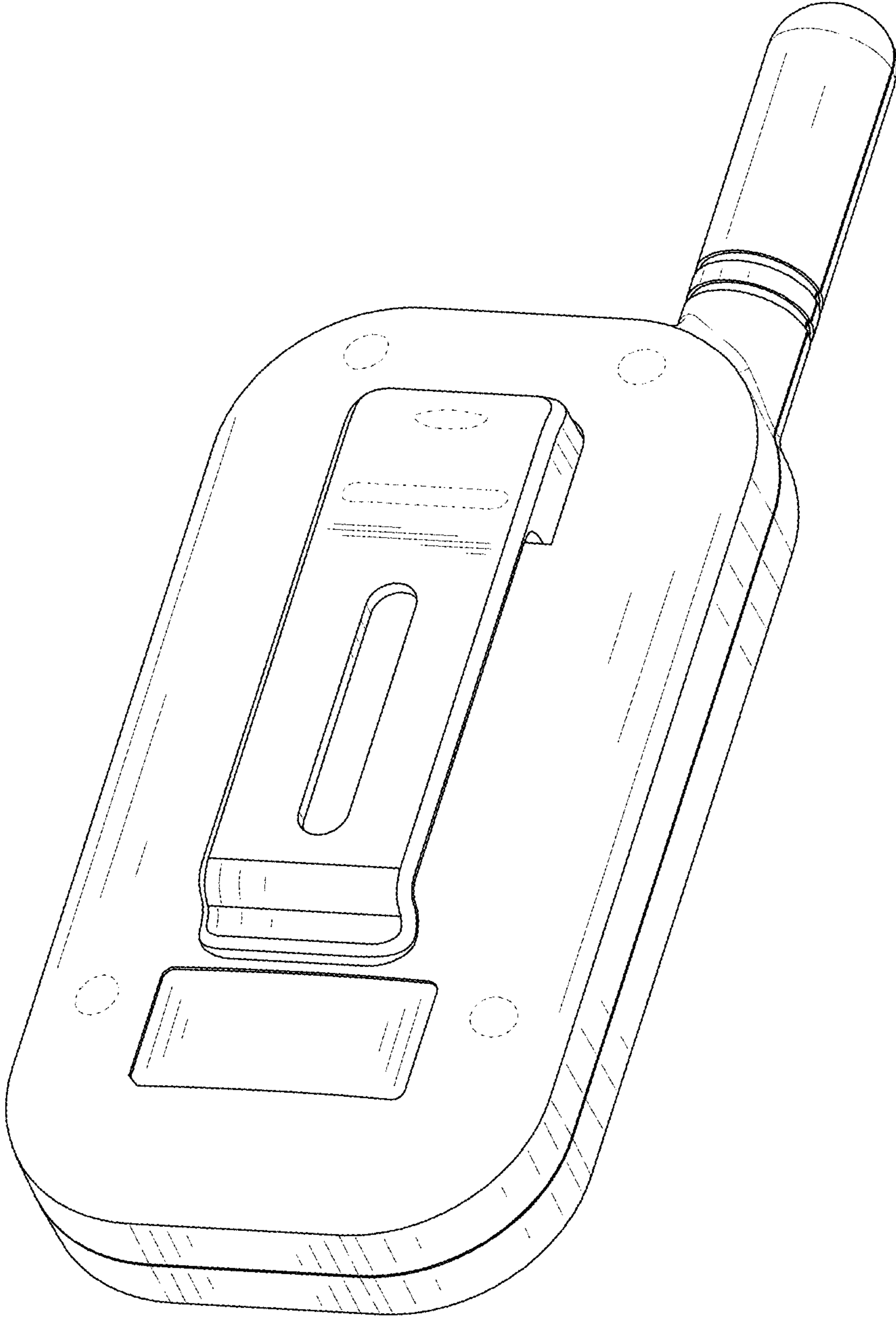


FIG. 2



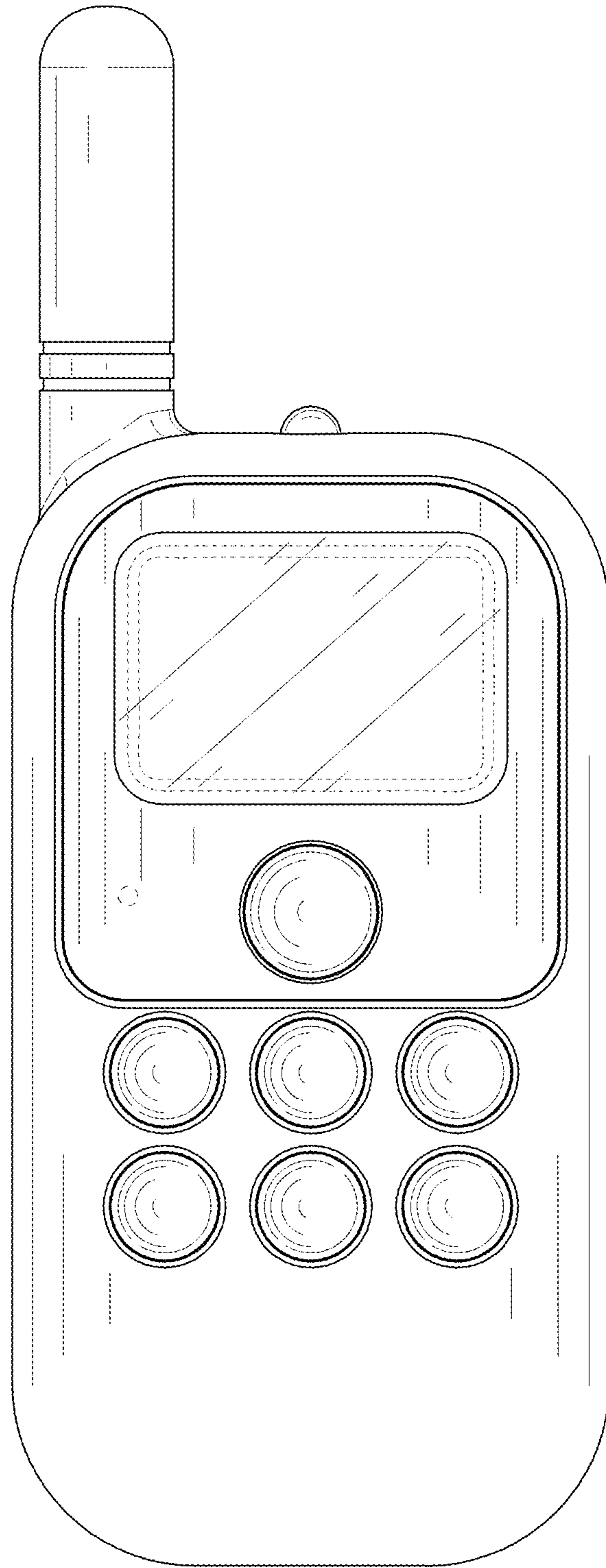


FIG. 3

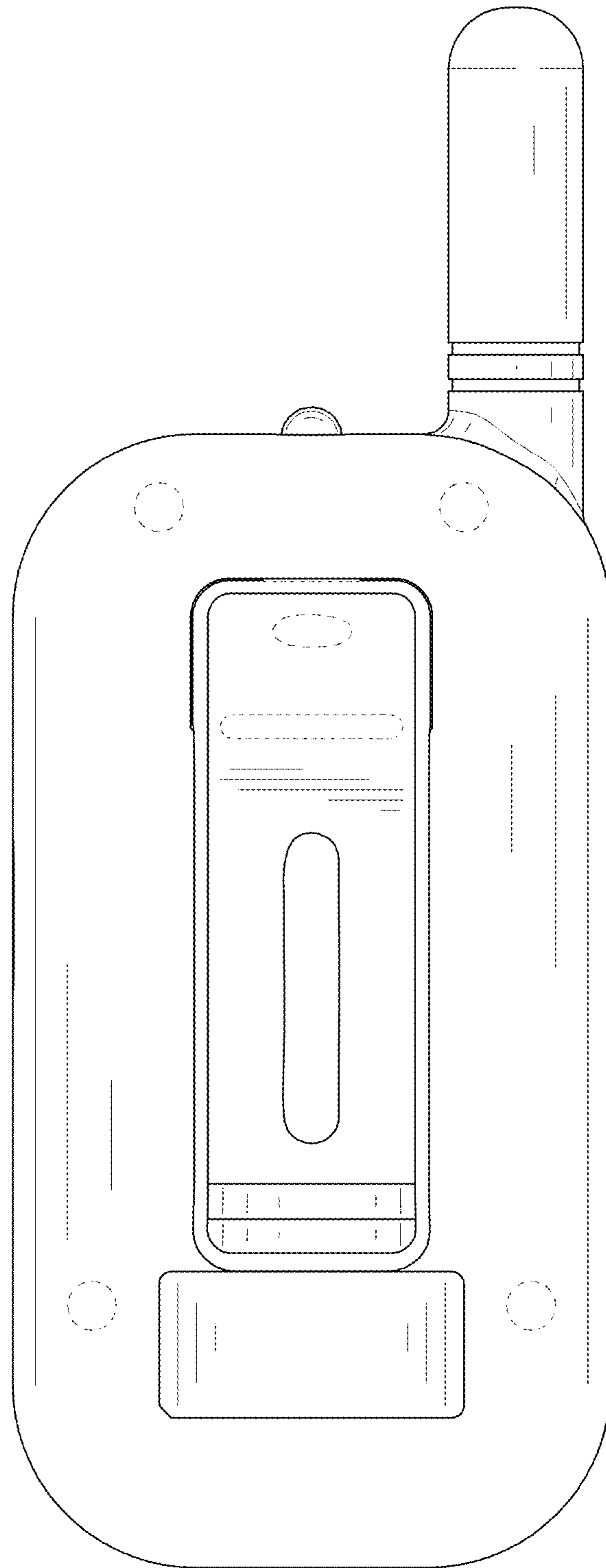


FIG. 4

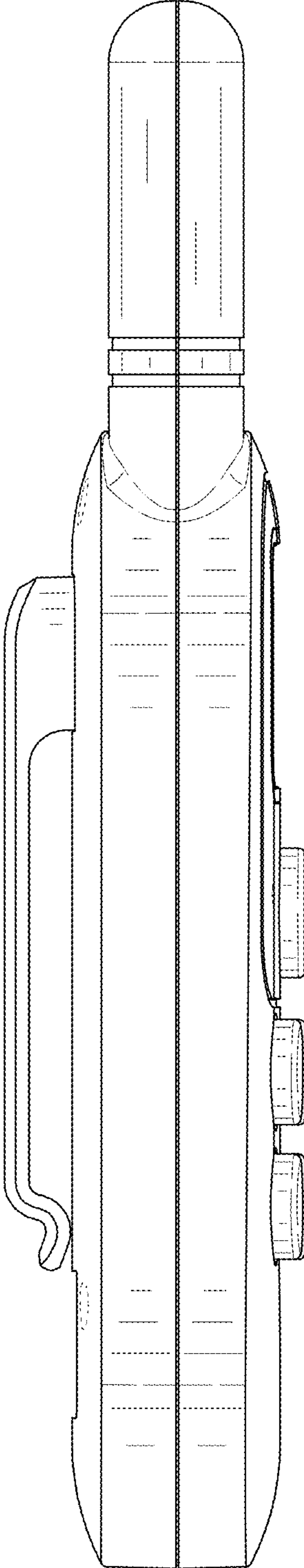


FIG. 5

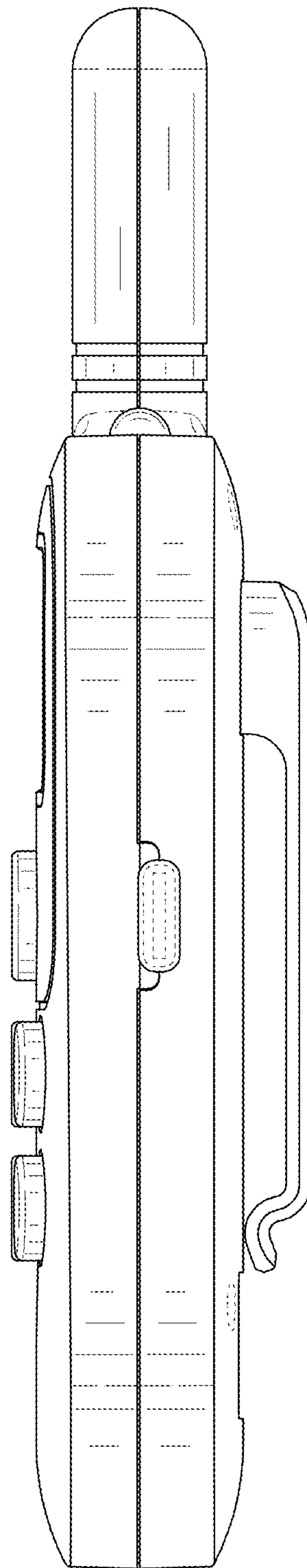


FIG. 6



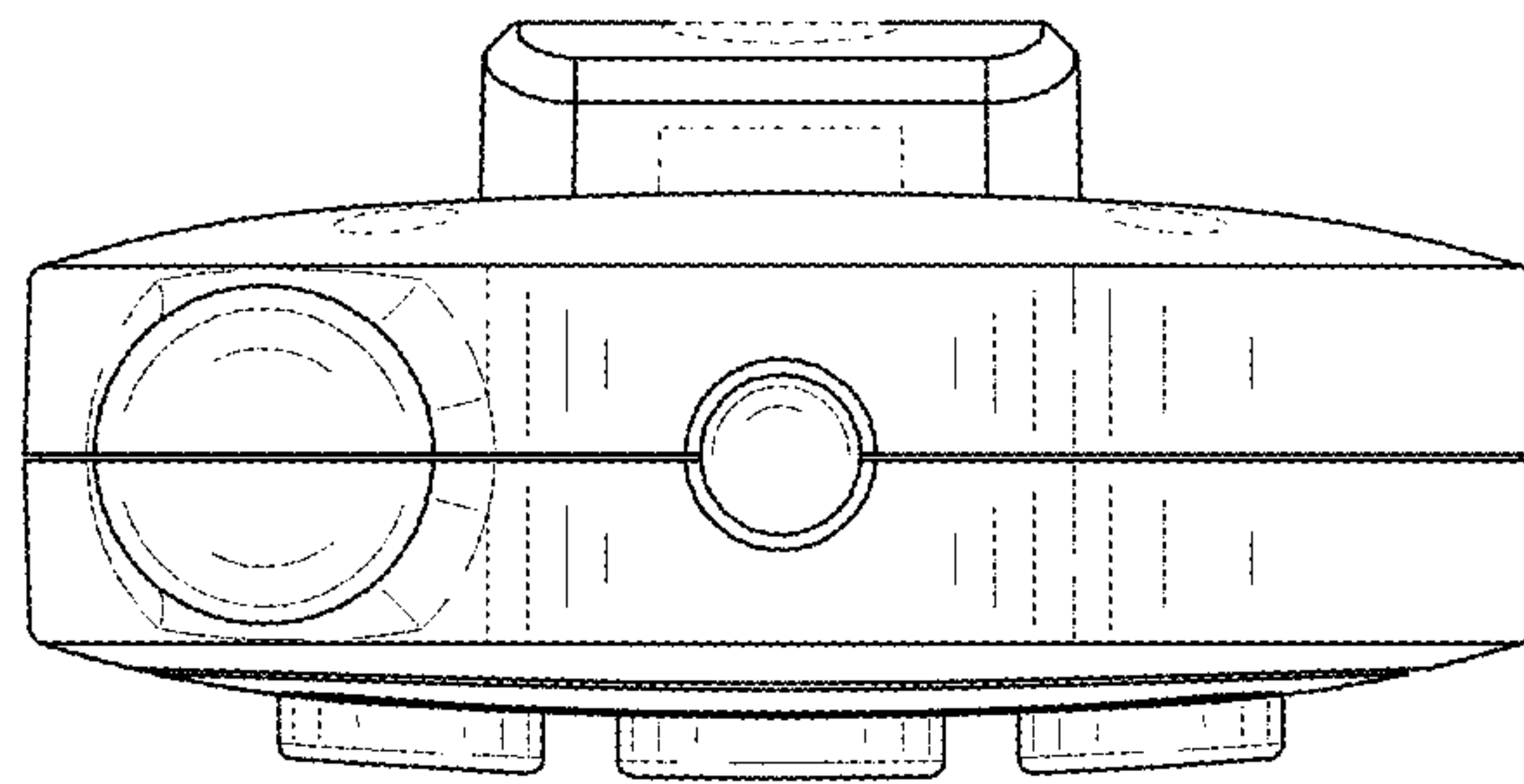


FIG. 7

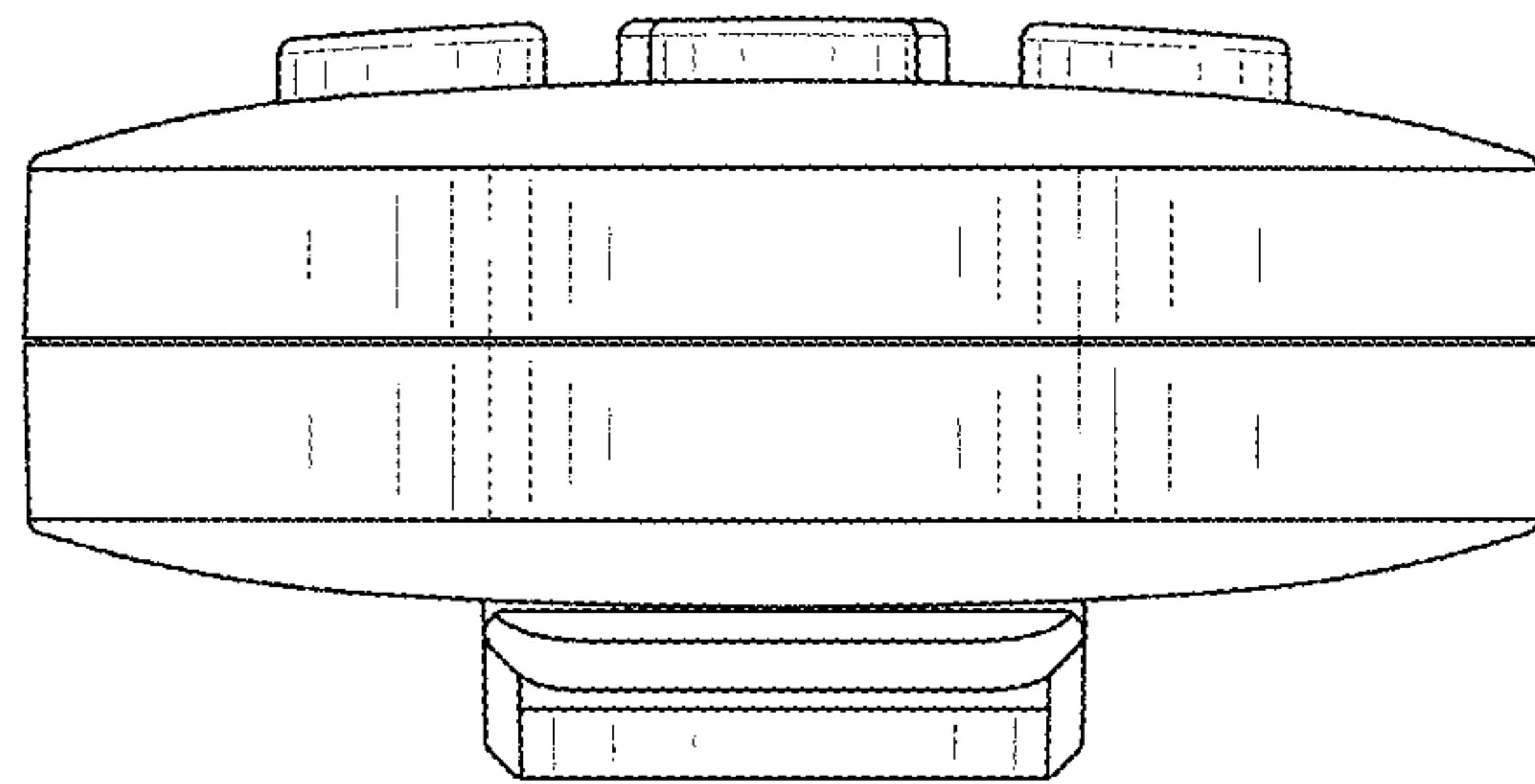


FIG. 8