



US00D987908S

(12) **United States Design Patent**  
**Simpson et al.**

(10) **Patent No.:** **US D987,908 S**

(45) **Date of Patent:** **\*\* May 30, 2023**

(54) **PET BED FRAME**

(71) Applicants: **Shanna Lyn Simpson**, Fairburn, GA  
(US); **Toriano Onya Simpson**,  
Fairburn, GA (US)

(72) Inventors: **Shanna Lyn Simpson**, Fairburn, GA  
(US); **Toriano Onya Simpson**,  
Fairburn, GA (US)

(\*\*) Term: **15 Years**

(21) Appl. No.: **29/816,383**

(22) Filed: **Nov. 22, 2021**

(51) **LOC (14) Cl.** ..... **30-06**

(52) **U.S. Cl.**  
USPC ..... **D30/118**

(58) **Field of Classification Search**  
USPC ..... D30/118–119, 160, 199, 158, 108;  
D21/520; D6/601, 349, 595–597, 604,  
D6/382, 393–395  
CPC ..... A01K 1/00; A01K 1/0272; A01K 1/03;  
A01K 1/0353; A01K 1/035  
See application file for complete search history.

(56) **References Cited**

**U.S. PATENT DOCUMENTS**

D187,458 S *	3/1960	Otto	.....	D6/395
D336,797 S *	6/1993	Stone	.....	D6/393
D343,071 S *	1/1994	Ferguson	.....	D6/382
D353,952 S *	1/1995	Schroeder	.....	D6/394
D353,954 S *	1/1995	Bowman	.....	D6/393
D366,779 S *	2/1996	Muller	.....	D6/395
D423,729 S	4/2000	Morgan		
D430,709 S	9/2000	Mirabito		
D436,235 S	1/2001	Watt		
D448,891 S	10/2001	Mirabito		
D459,907 S *	7/2002	Wilcox	.....	D6/395
D465,071 S	10/2002	Samulski et al.		
D477,115 S	7/2003	Wright et al.		
D491,319 S *	6/2004	Wright	.....	D30/118

D502,575 S	3/2005	Mirabito		
D522,182 S	5/2006	Simpson et al.		
D530,865 S	10/2006	Chern		
D538,484 S	3/2007	Xin et al.		
D539,989 S	4/2007	Chern		
D591,911 S *	5/2009	Drew	.....	D30/118
D663,077 S	7/2012	Pohl		
D701,653 S *	3/2014	Martinez	.....	D30/118
D721,207 S *	1/2015	Diskin	.....	D30/118
D814,122 S *	3/2018	Chan	.....	D30/118
D862,105 S *	10/2019	Liu	.....	D6/393
D866,088 S *	11/2019	Widner	.....	D30/118

(Continued)

**OTHER PUBLICATIONS**

Google Image search for “pet bed frame headboard footboard”,  
retrieved Sep. 29, 2021.

(Continued)

*Primary Examiner* — Samantha Wood  
*Assistant Examiner* — Aula Soroush  
(74) *Attorney, Agent, or Firm* — Bekiares Eliezer LLP

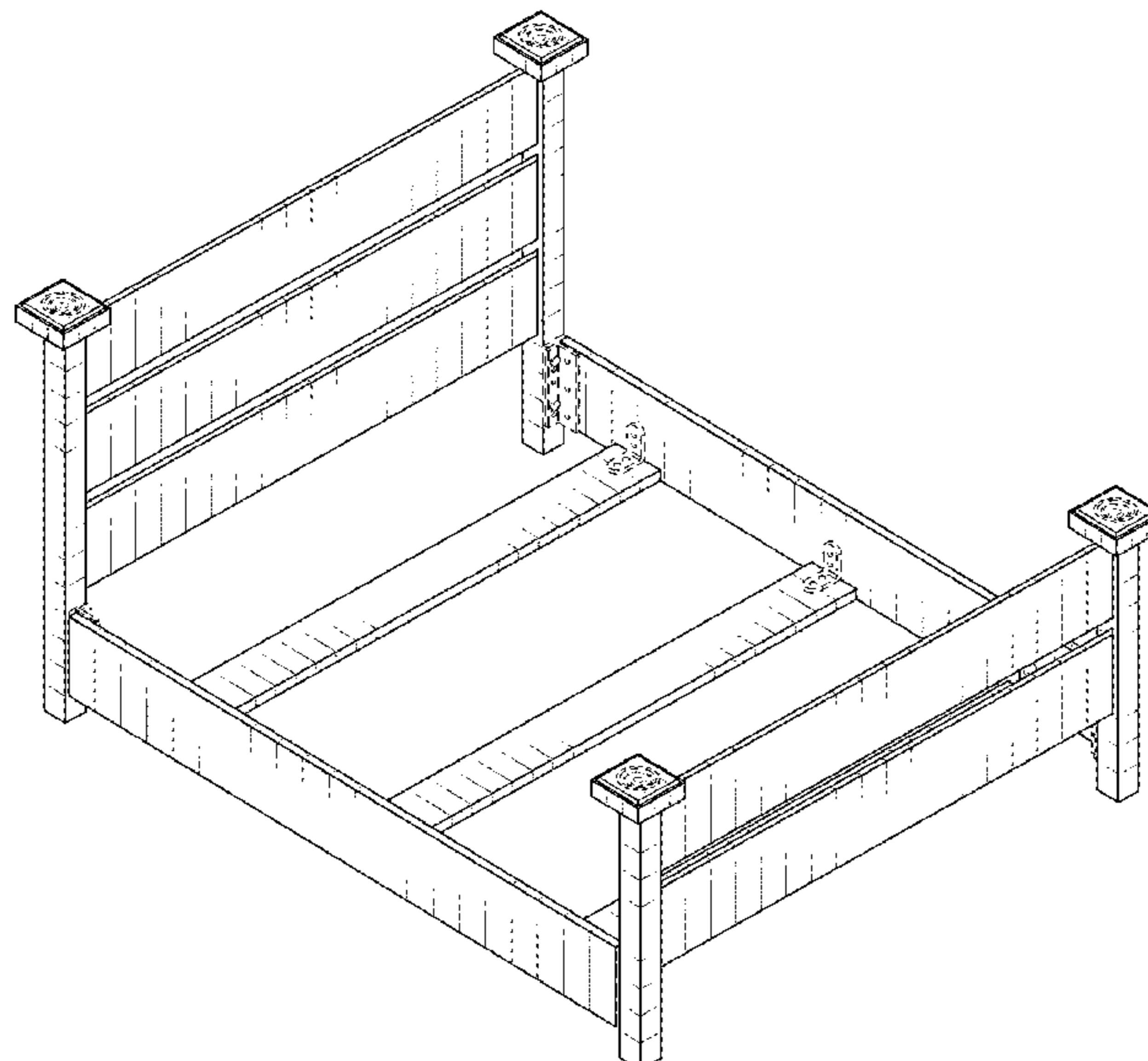
(57) **CLAIM**

The ornamental design for a pet bed frame, as shown and  
described.

**DESCRIPTION**

FIG. 1 is a perspective view of a pet bed frame showing my  
new design;  
FIG. 2 is a right side view thereof;  
FIG. 3 is a left side view thereof;  
FIG. 4 is a top side view thereof;  
FIG. 5 is a bottom view thereof;  
FIG. 6 is a front view thereof;  
FIG. 7 is a back view thereof; and,  
FIG. 8 is another perspective view thereof.  
The broken lines illustrate portions of the pet bed frame that  
do not form a part of the claimed design.

**1 Claim, 8 Drawing Sheets**



(56)

**References Cited**

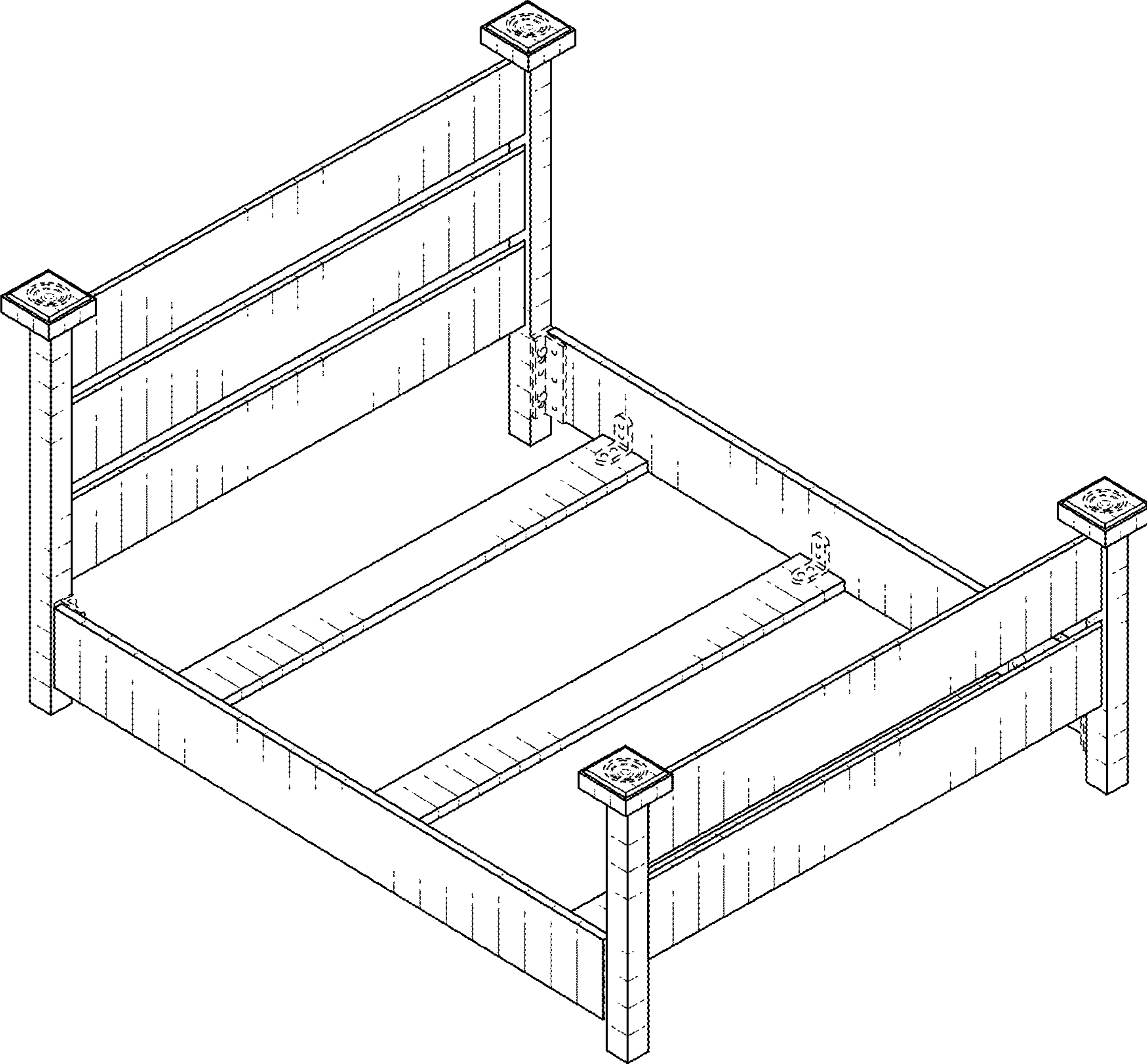
U.S. PATENT DOCUMENTS

D885,077 S \* 5/2020 Kamler ..... D6/382  
D906,000 S \* 12/2020 Hernandez ..... D6/382  
D928,420 S \* 8/2021 Xu ..... D30/118  
2013/0111662 A1\* 5/2013 Hayek ..... A47C 19/04  
5/236.1  
2017/0238715 A1\* 8/2017 Choi ..... F16B 12/54  
2018/0027977 A1\* 2/2018 Shelby ..... A47C 19/025

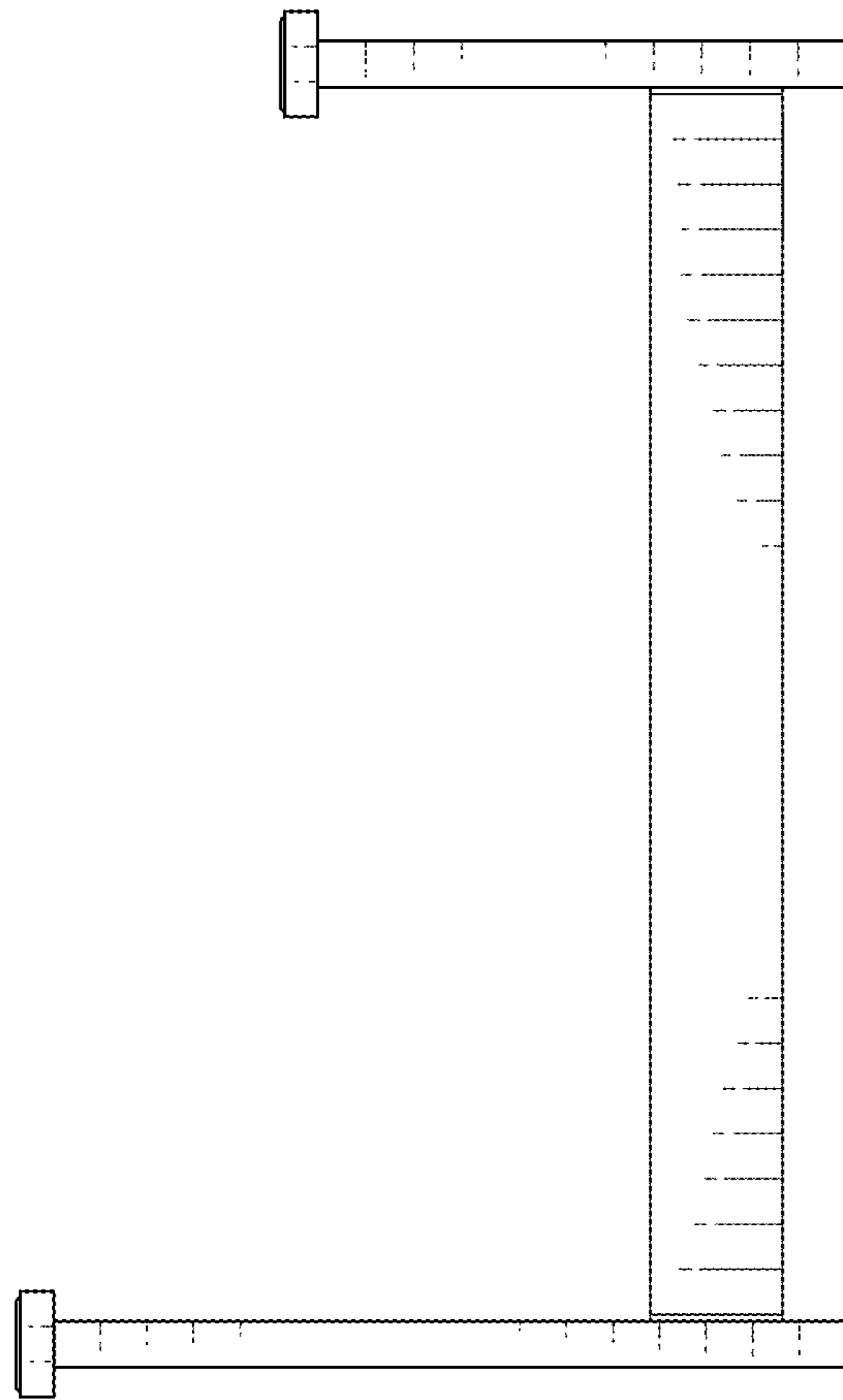
OTHER PUBLICATIONS

Copending Design U.S. Appl. No. 29/816,384, filed Nov. 22, 2021,  
entitled "Pet Bed Frame".

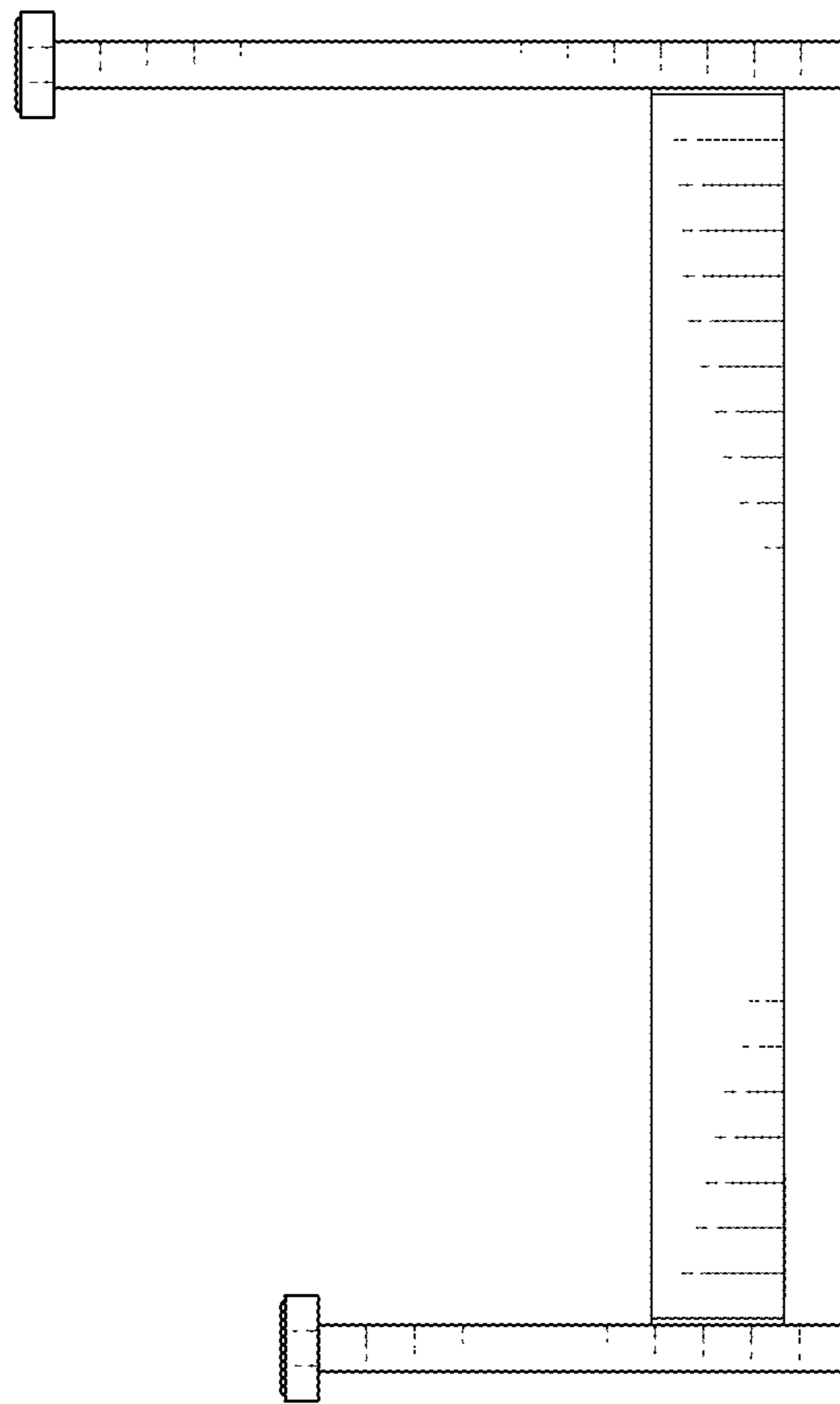
\* cited by examiner



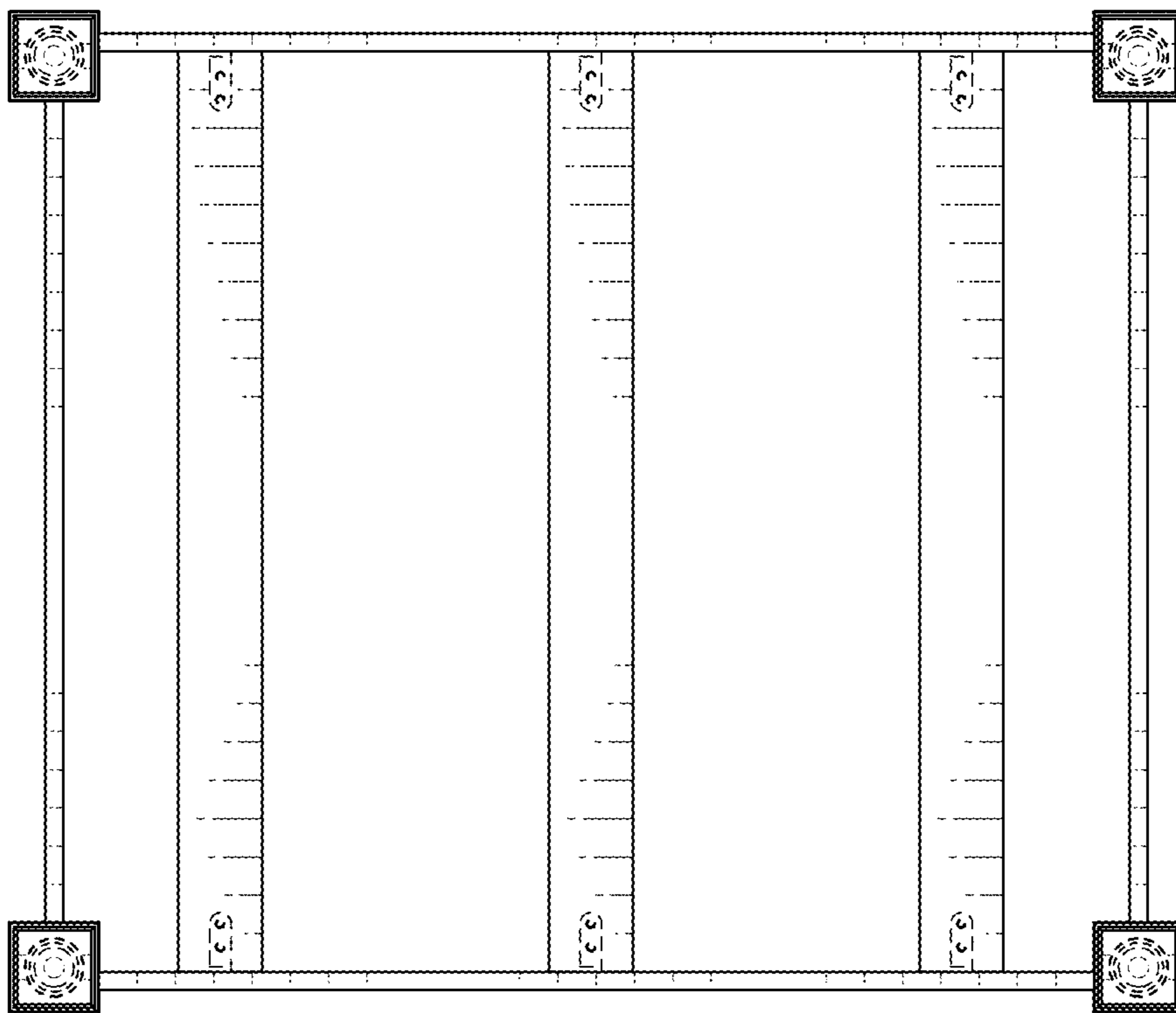
**FIG. 1**



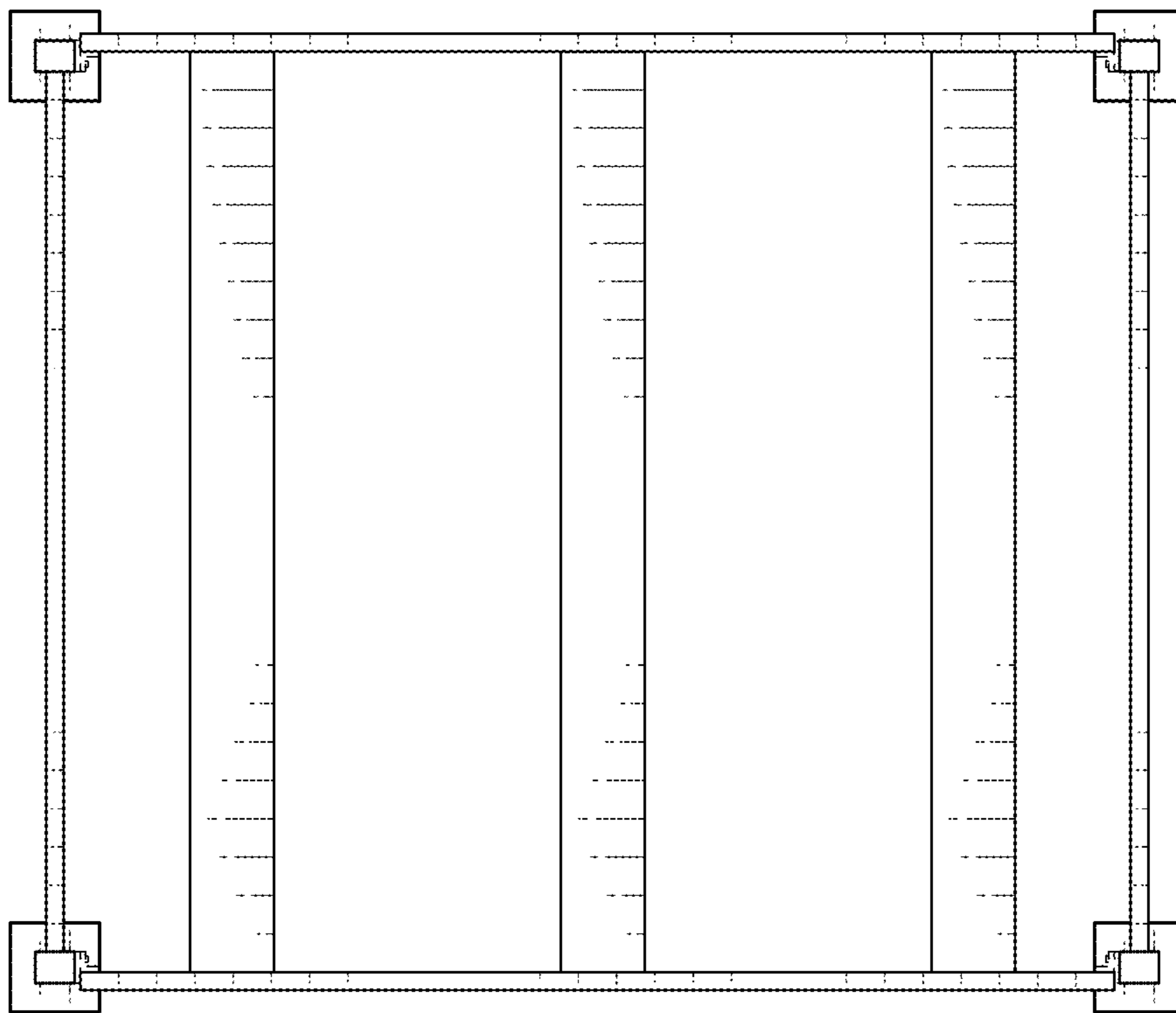
**FIG. 2**



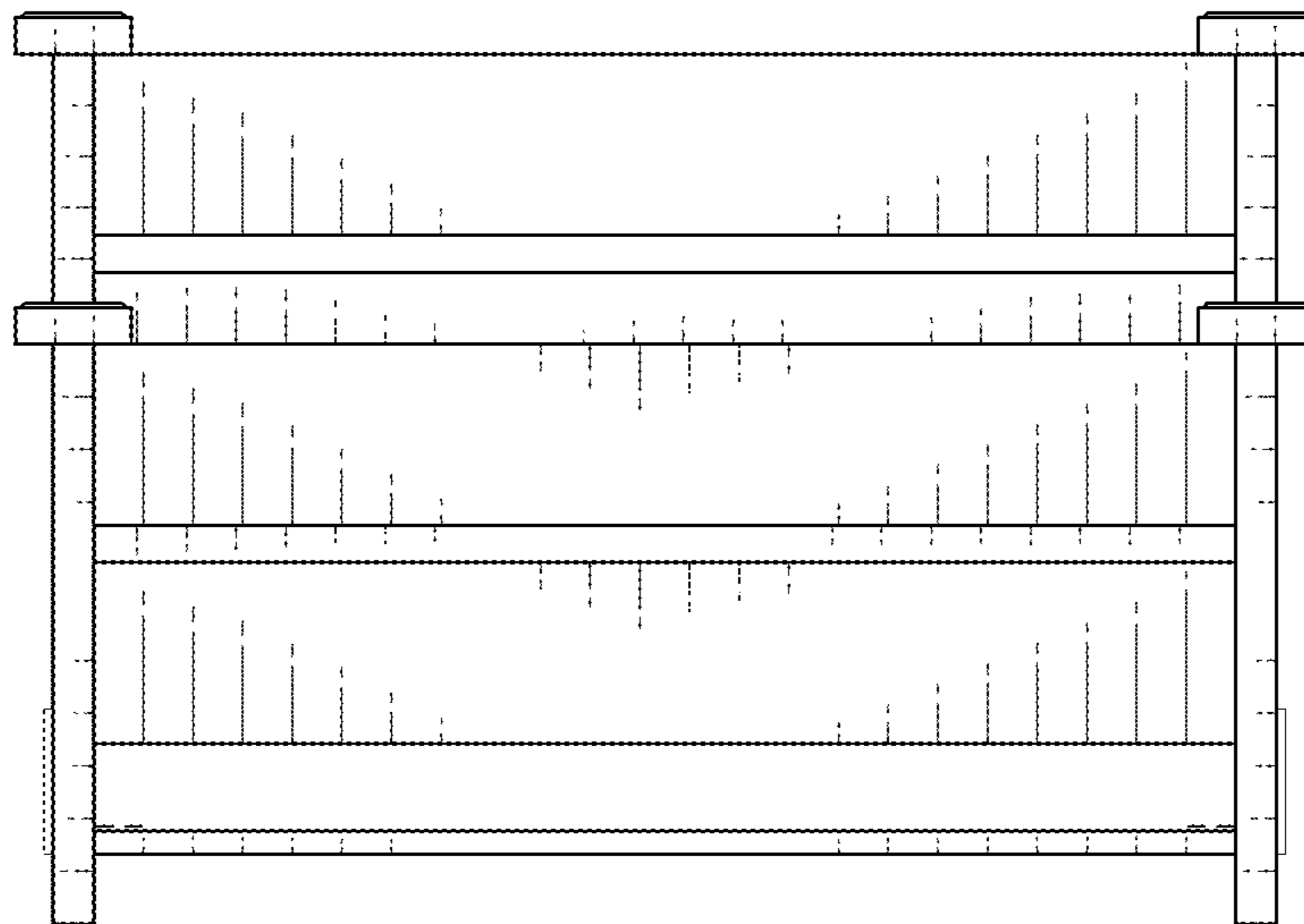
**FIG. 3**



**FIG. 4**

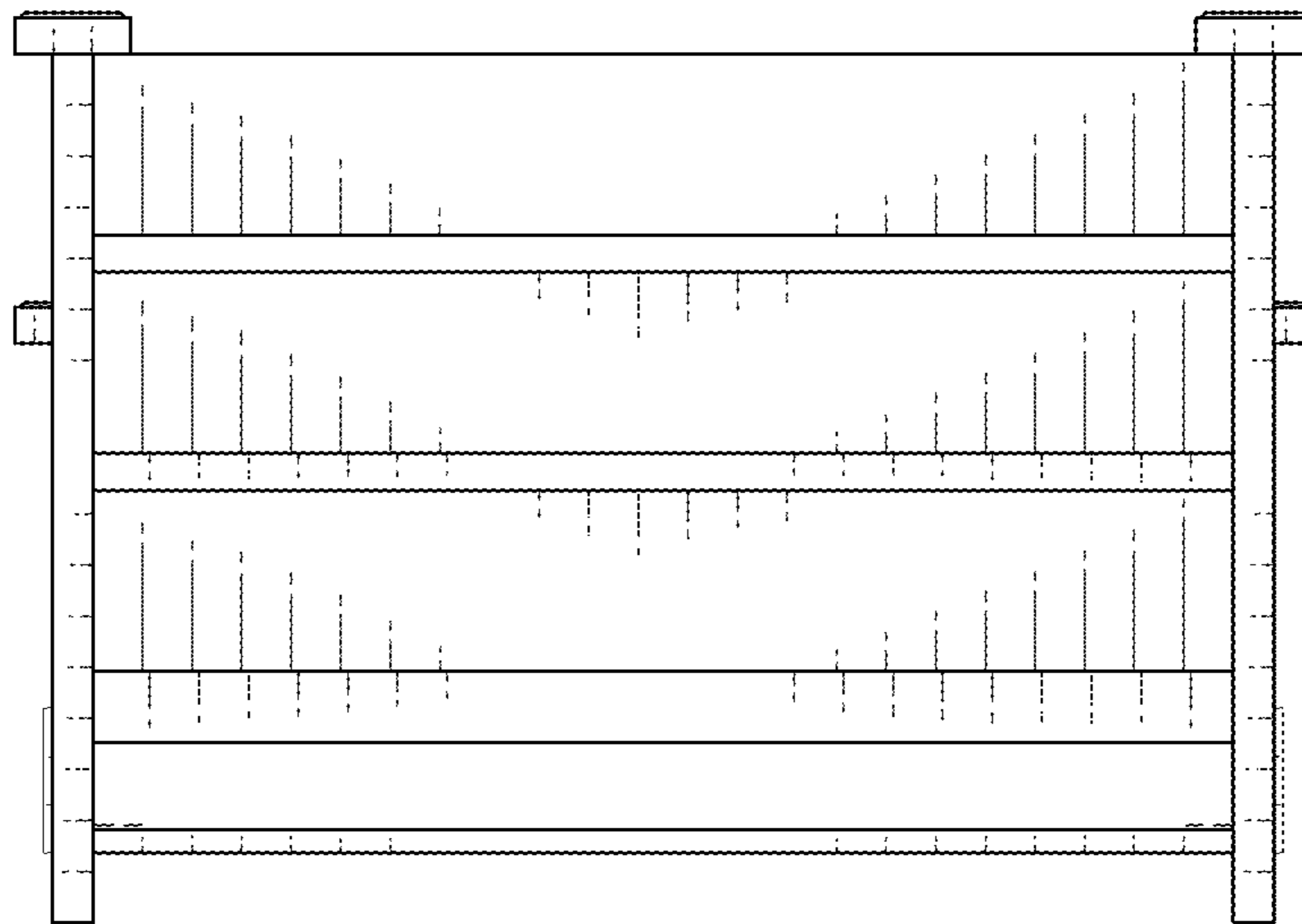


**FIG. 5**

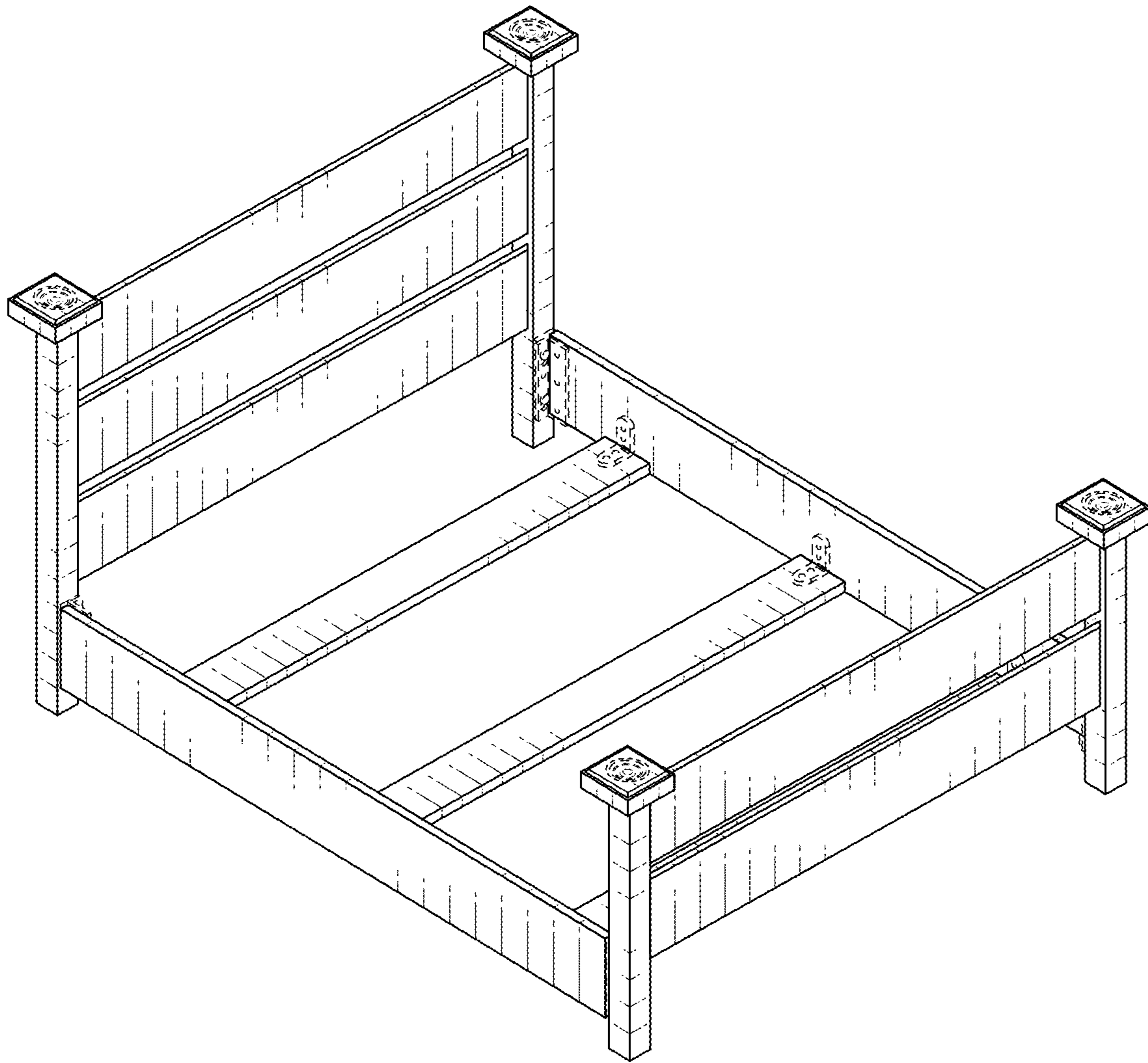


**FIG. 6**





**FIG. 7**



**FIG. 8**