



US00D987907S

(12) **United States Design Patent**
Bradshaw

(10) **Patent No.:** **US D987,907 S**

(45) **Date of Patent:** **** May 30, 2023**

(54) **BIRD AND FLOWER SANCTUARY STAND**
(71) Applicant: **Gary H. Bradshaw**, Fairfield, ID (US)
(72) Inventor: **Gary H. Bradshaw**, Fairfield, ID (US)
(**) Term: **15 Years**

D428,278 S * 7/2000 Yang D6/674
6,213,434 B1 * 4/2001 Reichanadter, Jr. A47F 7/24
248/412
D450,474 S * 11/2001 Sokoloff D6/681.3
(Continued)

(21) Appl. No.: **29/838,990**
(22) Filed: **May 17, 2022**

FOREIGN PATENT DOCUMENTS

CN 307576571 * 9/2022
GB 6052553 * 1/2019

(51) **LOC (14) Cl.** **30-02**
(52) **U.S. Cl.**
USPC **D30/111**

OTHER PUBLICATIONS

Parkland Traditional Deluxe Wooden Bird Table, available in albania. desertcart.com, announced Oct. 20, 2019 [online], [site visited Dec. 6, 2022], URL: <https://albania.desertcart.com/products/129028516-parkland-traditional-deluxe-wooden-bird-table-garden-birds-feeder-feeding-station-free-standing> (Year: 2019).*
(Continued)

(58) **Field of Classification Search**
USPC D6/315, 403, 405, 672, 681, 681.1,
D6/681.3; D26/68, 69, 70; D30/110,
D30/111, 121, 124, 127, 128, 133
CPC A47F 5/00; A47F 5/05; A47F 7/19; A47F
7/24; A47G 25/00; A47G 25/06; A47G
25/0664; A47G 25/10; A47G 7/041;
A01K 31/00; A01K 31/12
See application file for complete search history.

Primary Examiner — Vy N Koenig
Assistant Examiner — Elizabeth Anne Glassberg

(57) **CLAIM**

The ornamental design for a bird and flower sanctuary stand, as shown and described.

(56) **References Cited**

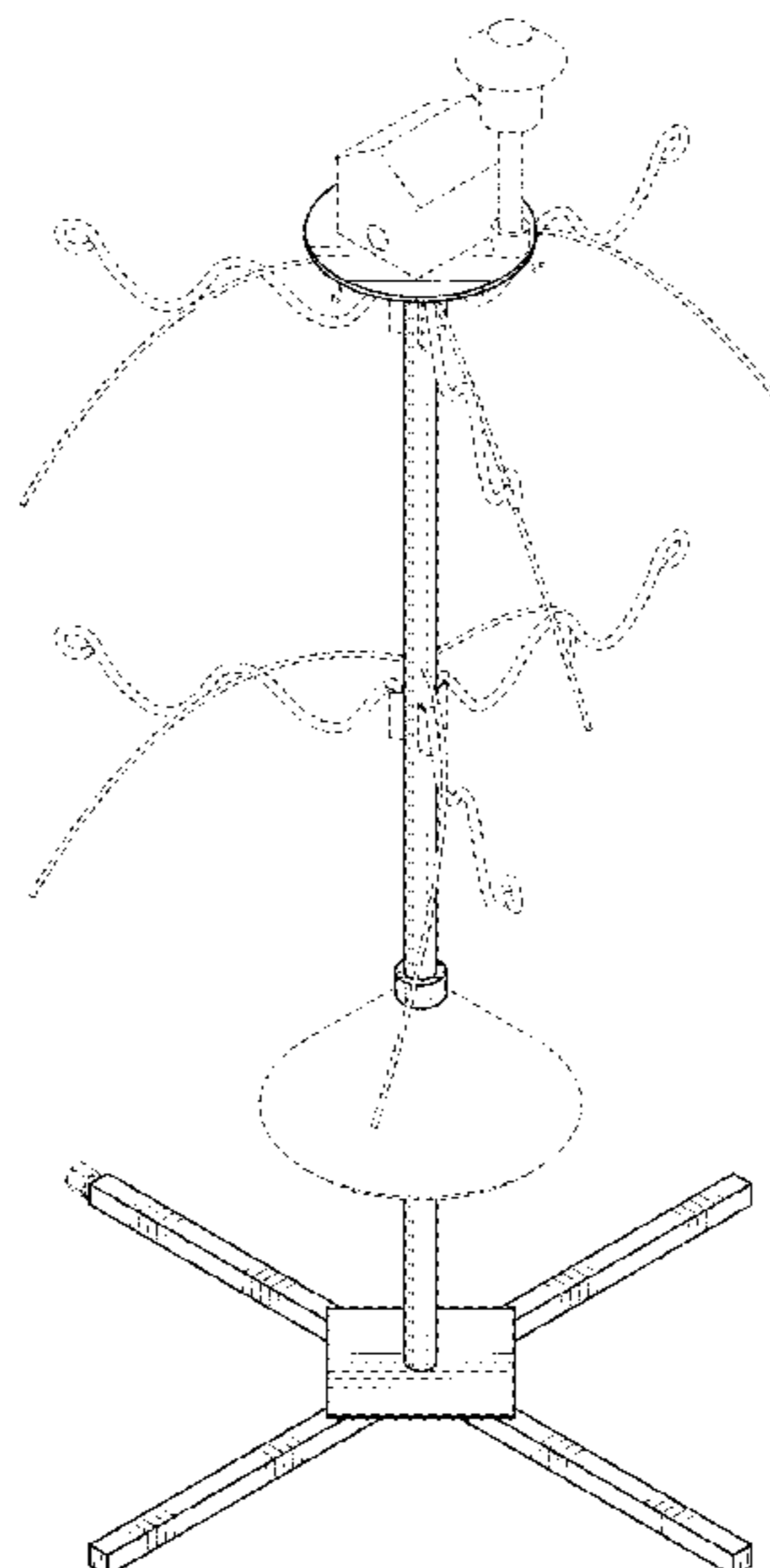
DESCRIPTION

U.S. PATENT DOCUMENTS

4,583,323 A 4/1986 Graves
4,756,429 A * 7/1988 Lehman A47F 7/148
211/205
4,760,666 A 8/1988 Han
4,767,088 A * 8/1988 Fielder A01K 39/0113
248/121
5,178,286 A * 1/1993 Allison, III A47F 5/06
211/205
D338,116 S * 8/1993 Gallagher D6/405
D341,911 S * 11/1993 Thomsen D30/133
5,370,248 A * 12/1994 Robolin A47G 25/0664
248/188.7
5,586,664 A * 12/1996 Taylor A47F 5/05
211/163
5,598,662 A 2/1997 Droste
5,974,731 A 11/1999 Wesolowski

FIG. 1 is a front-top perspective view of a bird and flower sanctuary stand showing my new design; FIG. 2 is a front-bottom perspective view thereof; FIG. 3 is a rear-top perspective view thereof; FIG. 4 is a front elevational view thereof; FIG. 5 is a rear elevational view thereof; FIG. 6 is a left elevational view thereof; FIG. 7 is a right elevational view thereof; FIG. 8 is a top plan view thereof; and, FIG. 9 is a bottom plan view thereof. The broken lines in the drawings illustrate portions of the bird and flower sanctuary stand that form no part of the claimed design.

1 Claim, 9 Drawing Sheets



(56)

References Cited

U.S. PATENT DOCUMENTS

6,386,491 B1 * 5/2002 Bissett F21S 4/10
 248/176.1
 D469,586 S * 1/2003 McGinn D30/119
 D476,117 S * 6/2003 Nicholas D30/124
 D482,212 S * 11/2003 Nakaoka D6/405
 D595,015 S * 6/2009 Lauretano D30/133
 D638,588 S * 5/2011 Vosbikian D30/127
 D653,048 S * 1/2012 Barr D6/403
 D664,374 S * 7/2012 Capella D6/681.3
 8,418,403 B1 4/2013 Nuttman
 8,752,799 B2 * 6/2014 Johnson A61B 90/50
 220/4.23
 9,603,469 B2 * 3/2017 Lapointe A47F 5/04
 D812,941 S * 3/2018 Procaccini D6/681.1
 D833,185 S * 11/2018 Zhou D6/681.3
 D924,610 S * 7/2021 Hodgson D6/681.1

11,439,254 B1 * 9/2022 Kacines A47F 5/06
 2003/0074834 A1 * 4/2003 Laske, Jr. A47G 7/041
 47/39
 2016/0360901 A1 * 12/2016 Lapointe A47F 7/0078

OTHER PUBLICATIONS

The Hutch Company Bird Table Chislet, available in Amazon.com, date first available Jul. 11, 2015 [online], [site visited Dec. 6, 2022], Available from the internet URL: <https://www.amazon.com/Hutch-Company-Bird-Table-Chislet/dp/B0037XTV8Y> (Year: 2015).*
 Petlicity Traditional Wooden Bird Table Garden Birds Feeder Feeding Station, available in Amazon.co.uk, date first available Jul. 7, 2015 [online], [site visited Dec. 6, 2022], Available from the internet URL: <https://www.amazon.co.uk/Traditional-Feeding-Station-Standing-Quality/dp/B01155O2KC> (Year: 2015).*

* cited by examiner

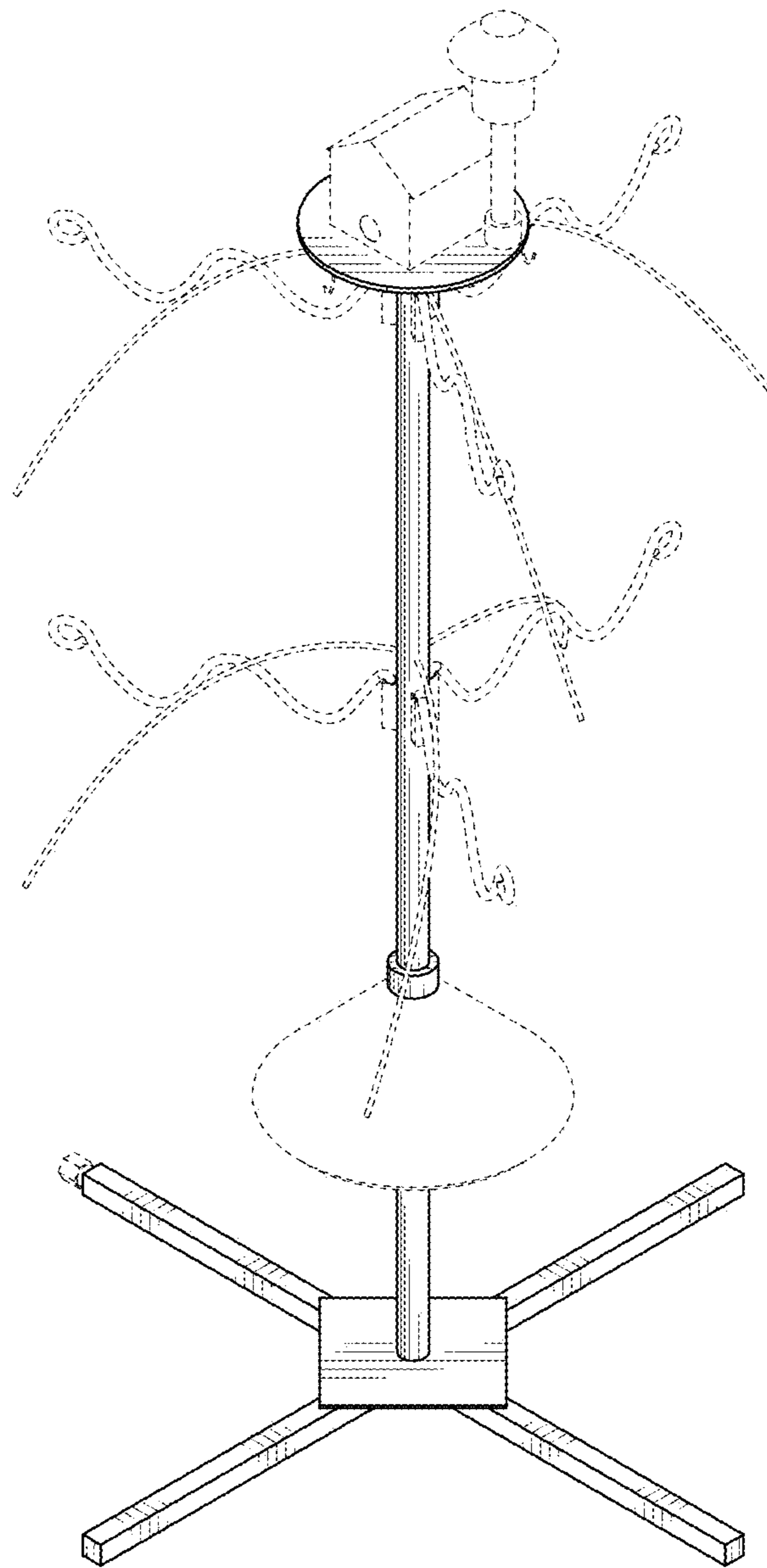


FIG. 1

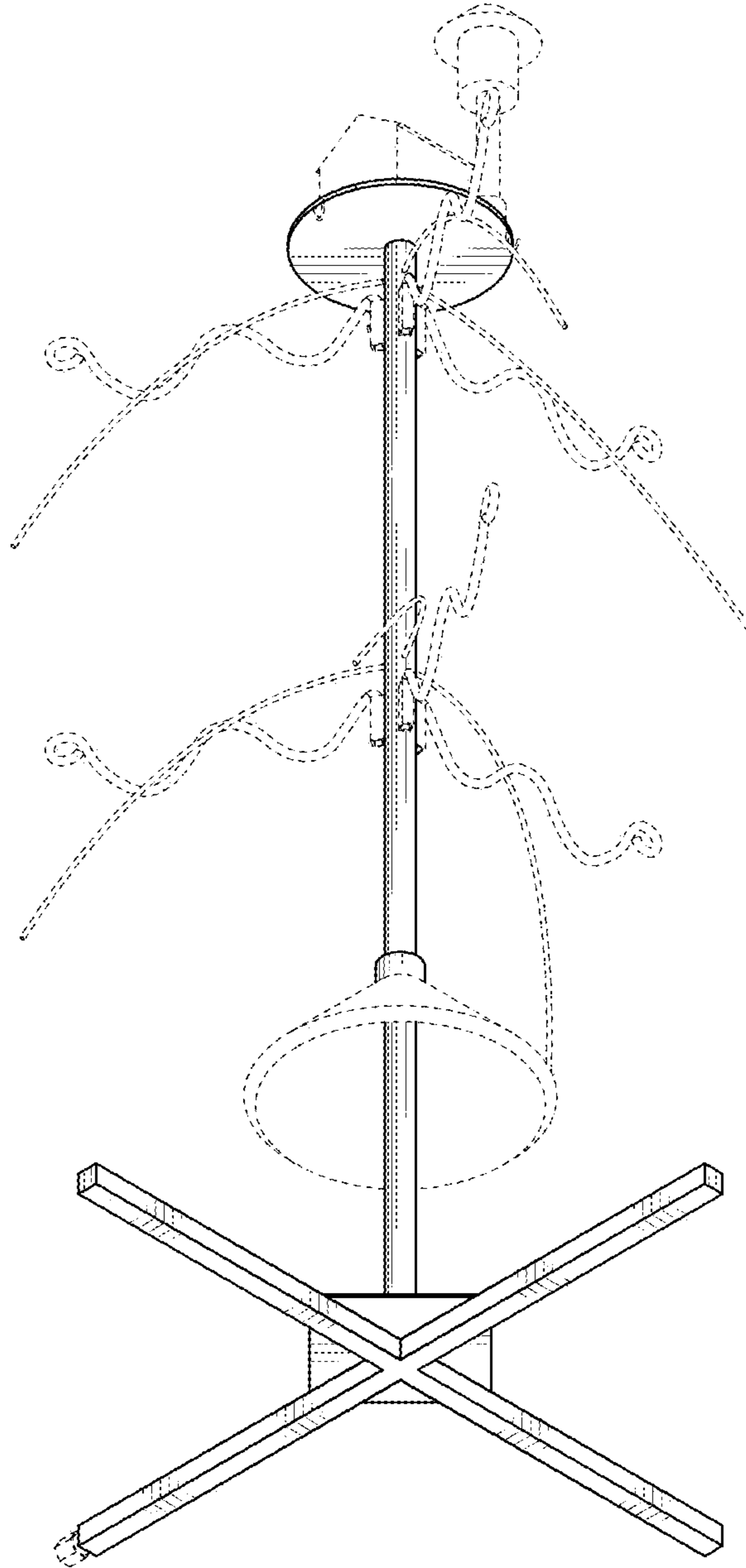


FIG. 2

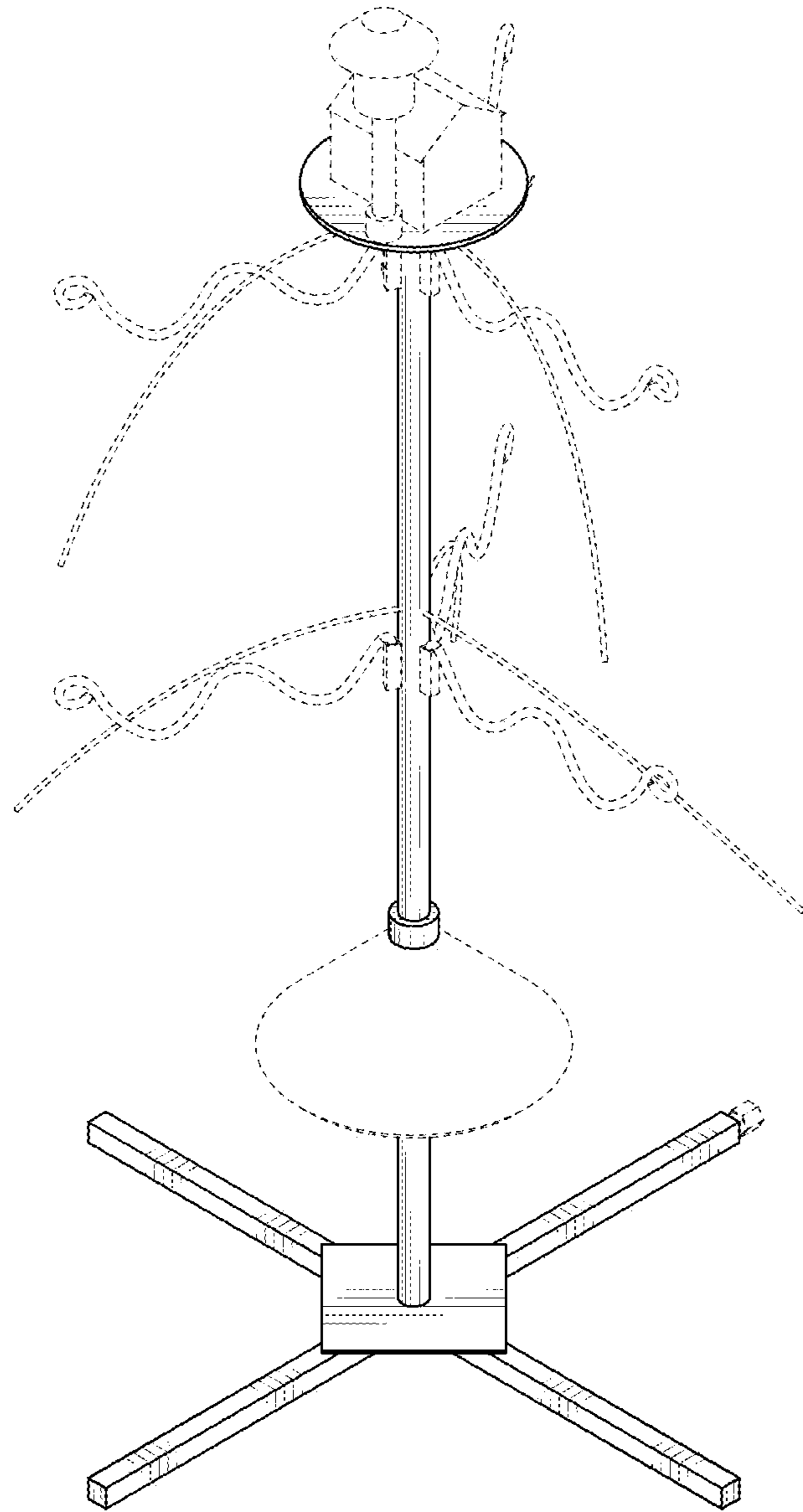


FIG. 3

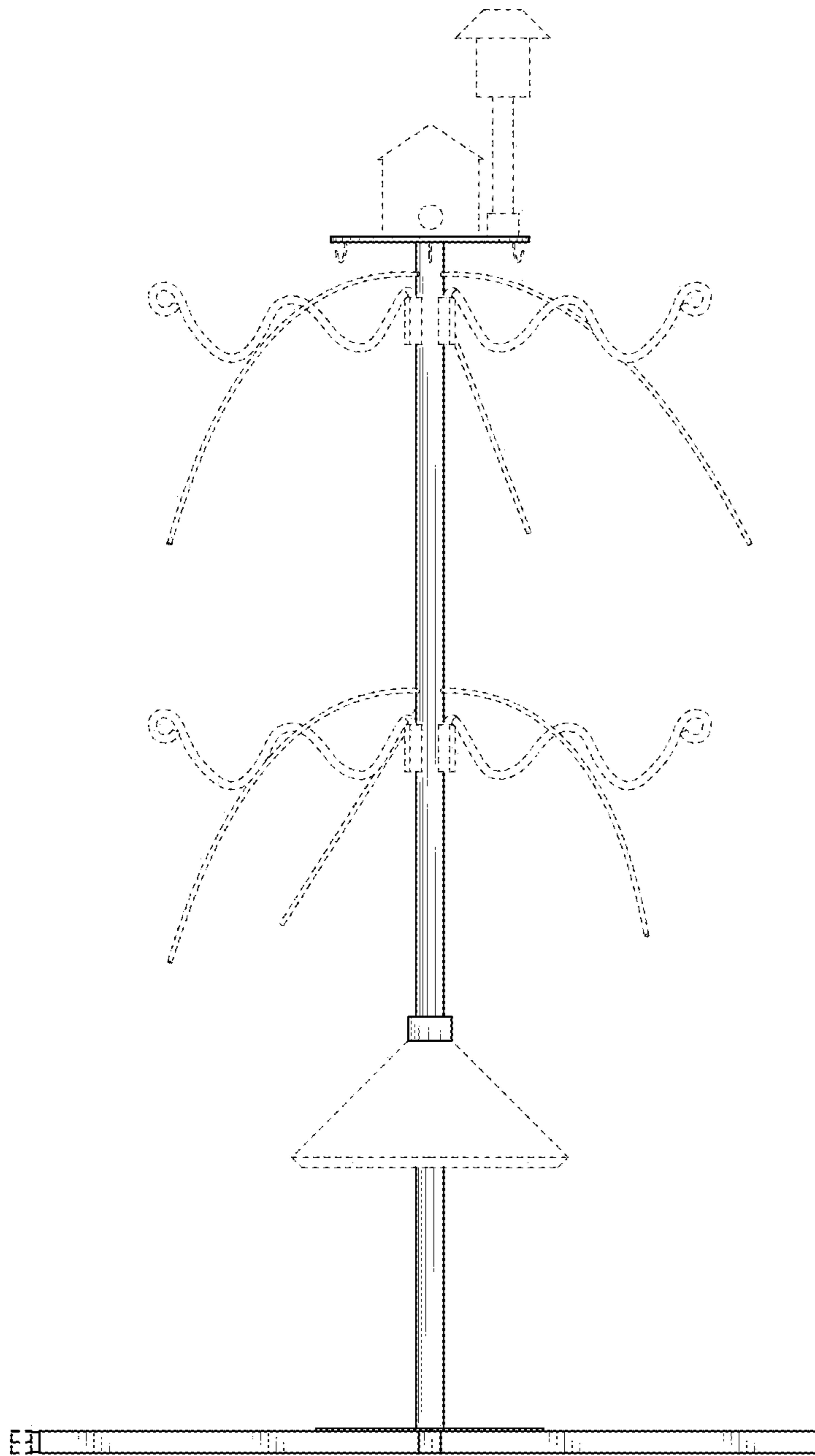


FIG. 4

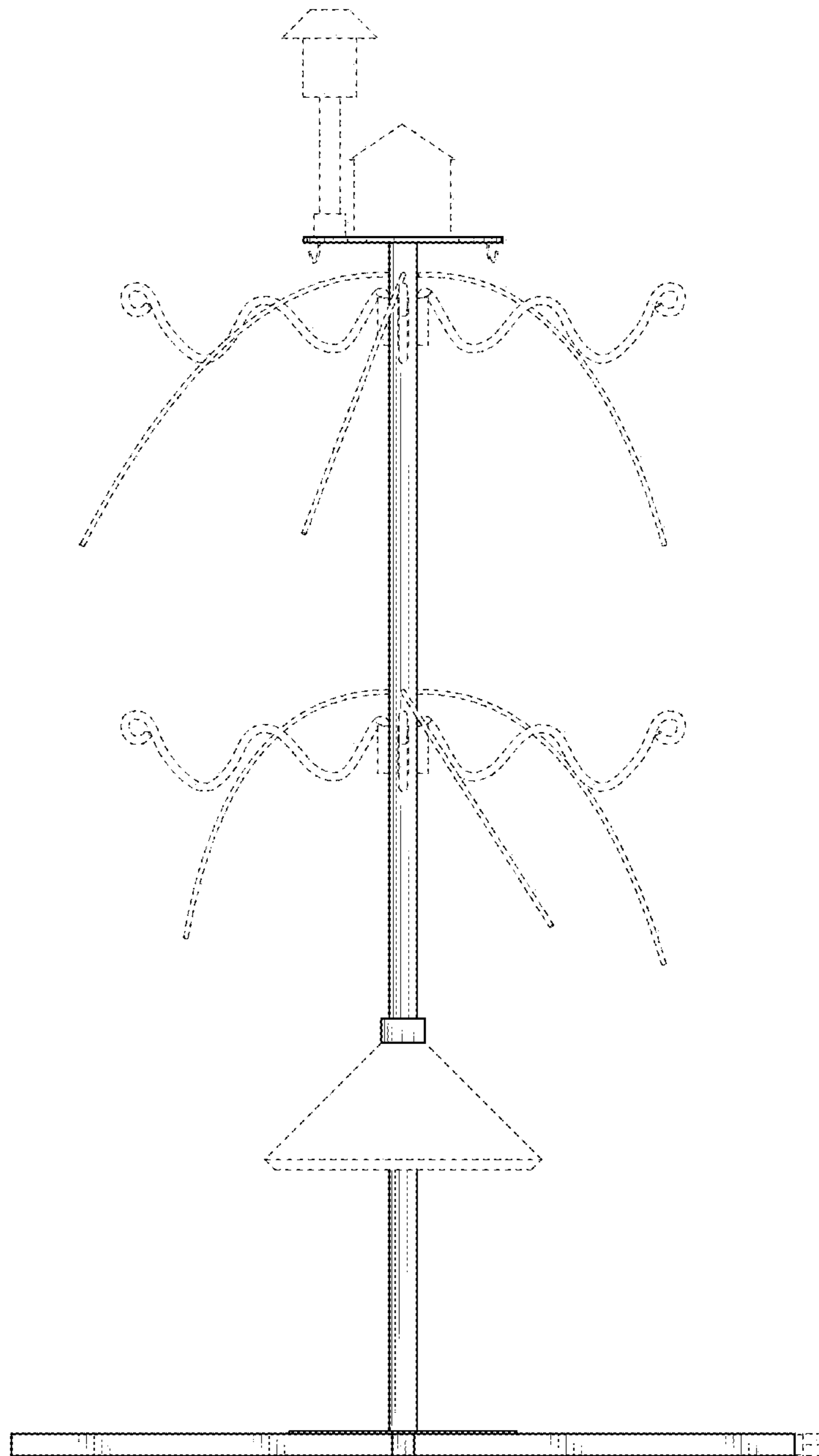


FIG. 5

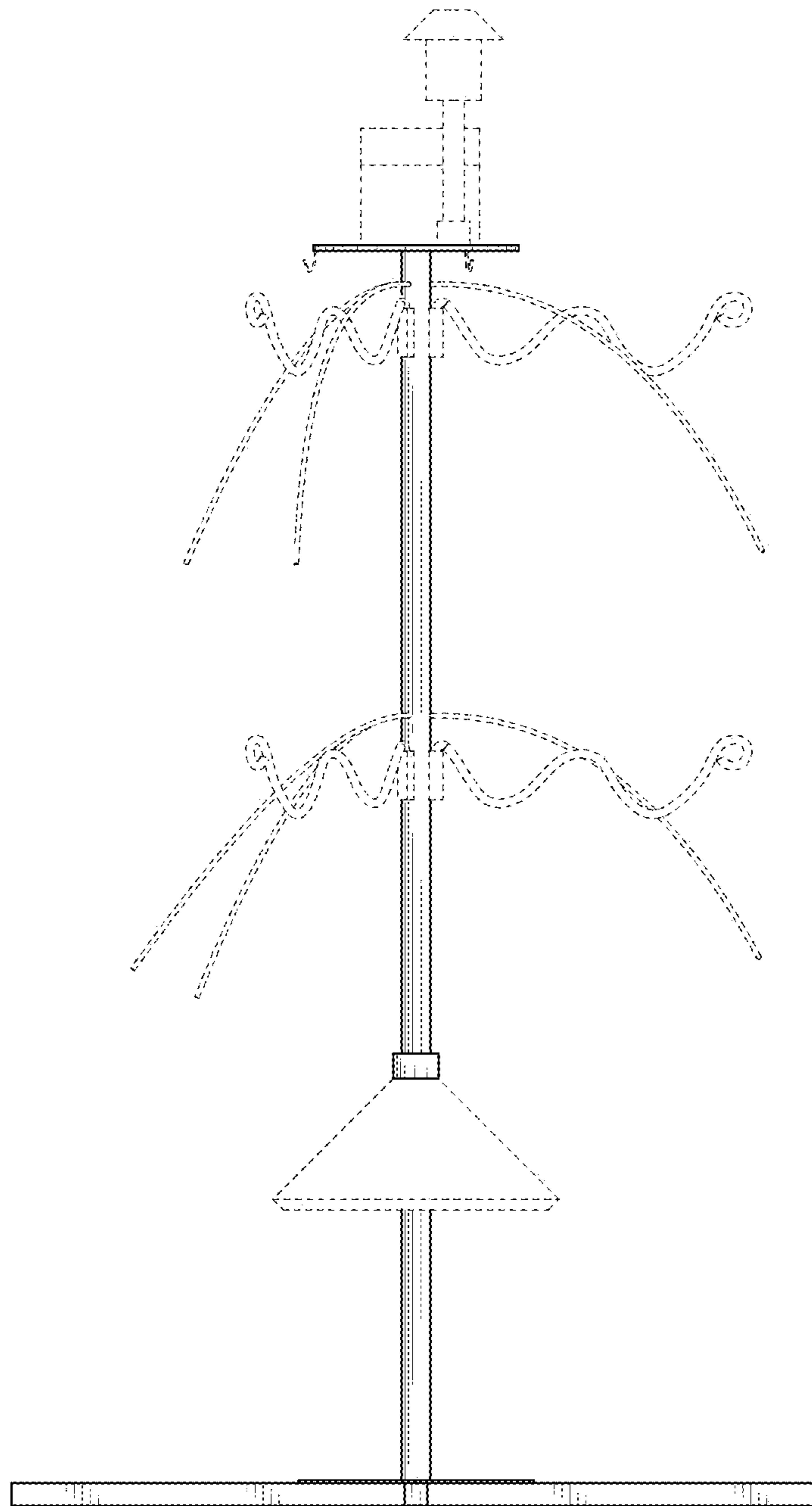


FIG. 6

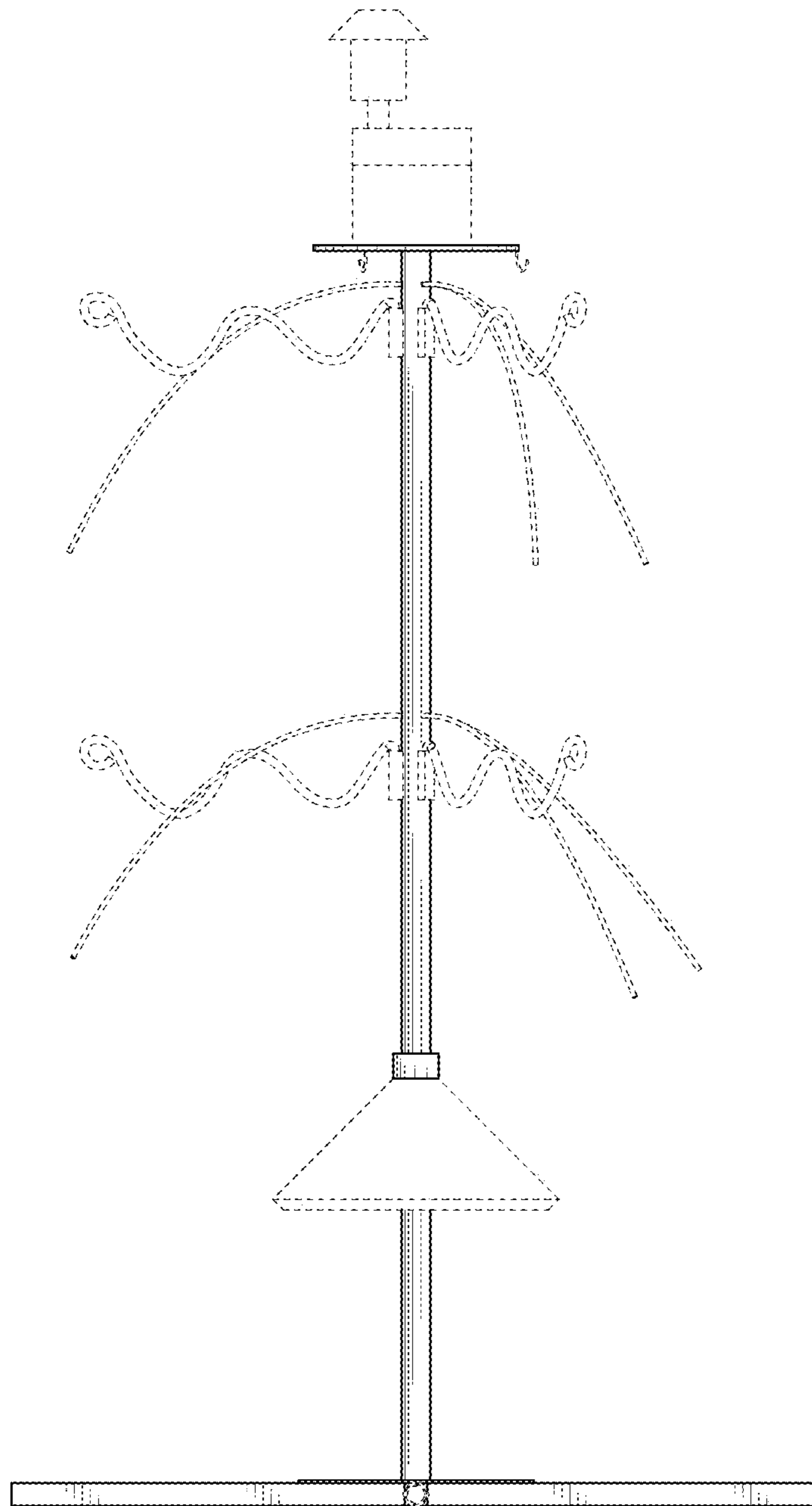


FIG. 7

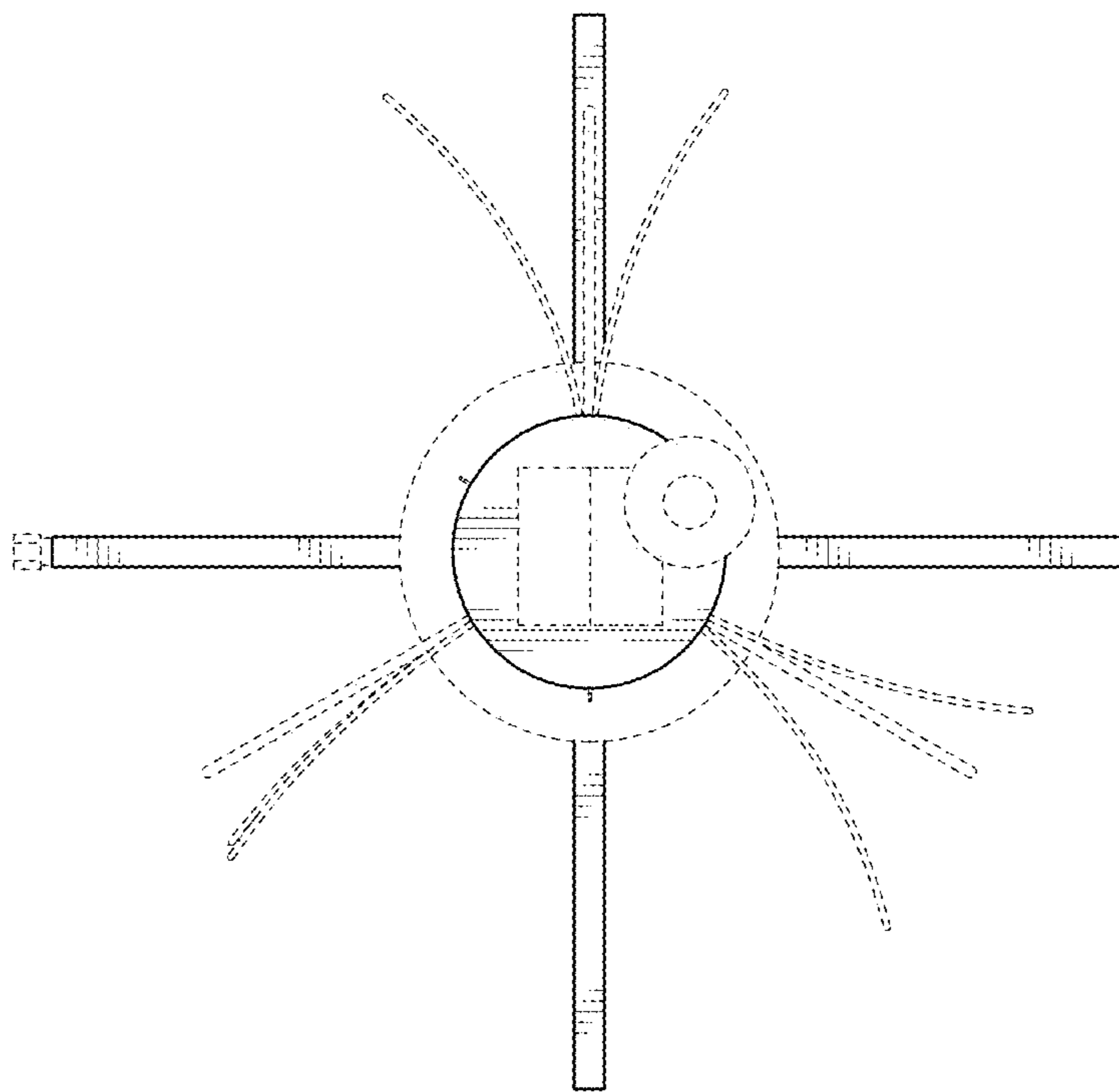


FIG. 8

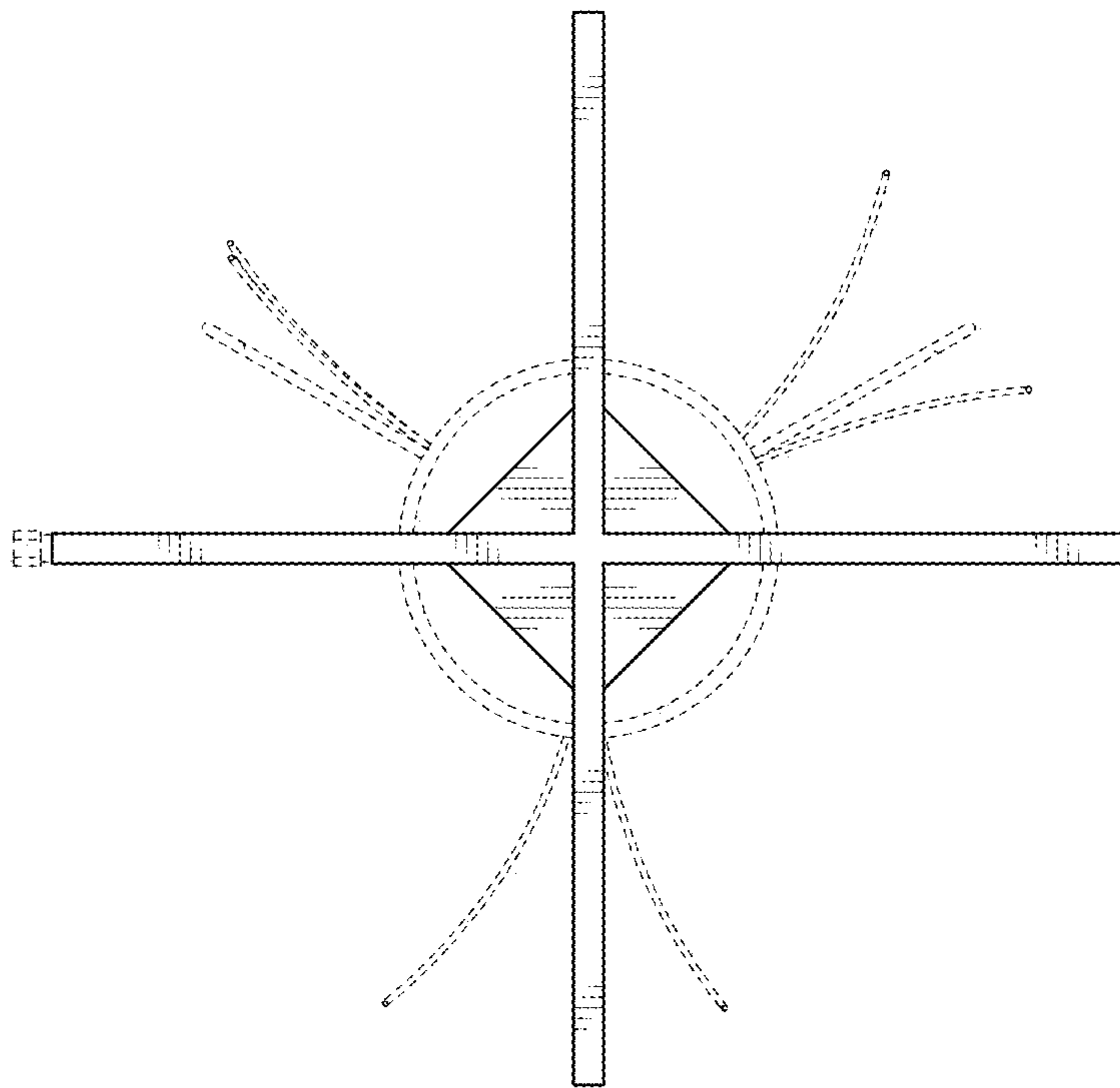


FIG. 9