



US00D987906S

(12) **United States Design Patent**
Kim

(10) **Patent No.:** **US D987,906 S**

(45) **Date of Patent:** **** May 30, 2023**

(54) **FIRE EXTINGUISHER**

(71) Applicant: **FIREKIM CO., Ltd.**,
Chungcheongbuk-do (KR)

(72) Inventor: **Byung Yul Kim**, Chungcheongbuk-do
(KR)

(73) Assignee: **FIREKIM CO., LTD.**,
Chungcheongbuk-Do (KR)

(**) Term: **15 Years**

(21) Appl. No.: **29/735,601**

(22) Filed: **May 22, 2020**

(30) **Foreign Application Priority Data**

Nov. 25, 2019 (KR) 30-2019-0056507

(51) **LOC (14) Cl.** **29-01**

(52) **U.S. Cl.**
USPC **D29/125**; D29/126

(58) **Field of Classification Search**
USPC D29/125, 126, 128, 129, 130; D23/214,
D23/225; D9/687; D7/591
CPC A62C 35/10; A62C 35/13; A62C 37/14;
A62C 37/36; A62C 5/008; A62C 13/02;
A62C 13/20; A62C 2/00; A62C 8/00;
A62C 13/64; H04L 67/12; G08B 17/00
See application file for complete search history.

(56) **References Cited**

U.S. PATENT DOCUMENTS

- 3,607,504 A * 9/1971 Howard B64C 1/065
156/185
- 8,130,494 B2 * 3/2012 Larsen H05K 7/186
361/679.5
- D674,154 S * 1/2013 Shin D29/125
- D814,876 S * 4/2018 Rigbi D7/591
- D828,639 S * 9/2018 Kim D29/125
- 10,814,152 B1 * 10/2020 Aryee A62C 37/48

- 11,335,969 B2 * 5/2022 Hou H01M 10/613
 - 2007/0183129 A1 * 8/2007 Lewis H05K 9/0041
361/724
 - 2017/0028235 A1 * 2/2017 Basseches A62C 99/0009
 - 2020/0197734 A1 * 6/2020 Kim A62C 37/36
- (Continued)

FOREIGN PATENT DOCUMENTS

- CN 306081641 * 9/2020
- KR 300907732.0000 * 5/2017

OTHER PUBLICATIONS

Firekim (on-line), no date available. Retrieved from Internet Nov. 3, 2022, URL: <http://www.firekim.co.kr/en/brand/sensor.php> (2 pages).*

Primary Examiner — Kimberly Barnes

(74) *Attorney, Agent, or Firm* — Dorsey & Whitney LLP

(57) **CLAIM**

I claim the ornamental design for a fire extinguisher, substantially as shown.

DESCRIPTION

FIG. 1 is a front, top, left, isometric view of a fire extinguisher showing my new design.

FIG. 2 is a front elevation view of the fire extinguisher of FIG. 1.

FIG. 3 is a rear elevation view of the fire extinguisher of FIG. 1.

FIG. 4 is a left side elevation view of the fire extinguisher of FIG. 1.

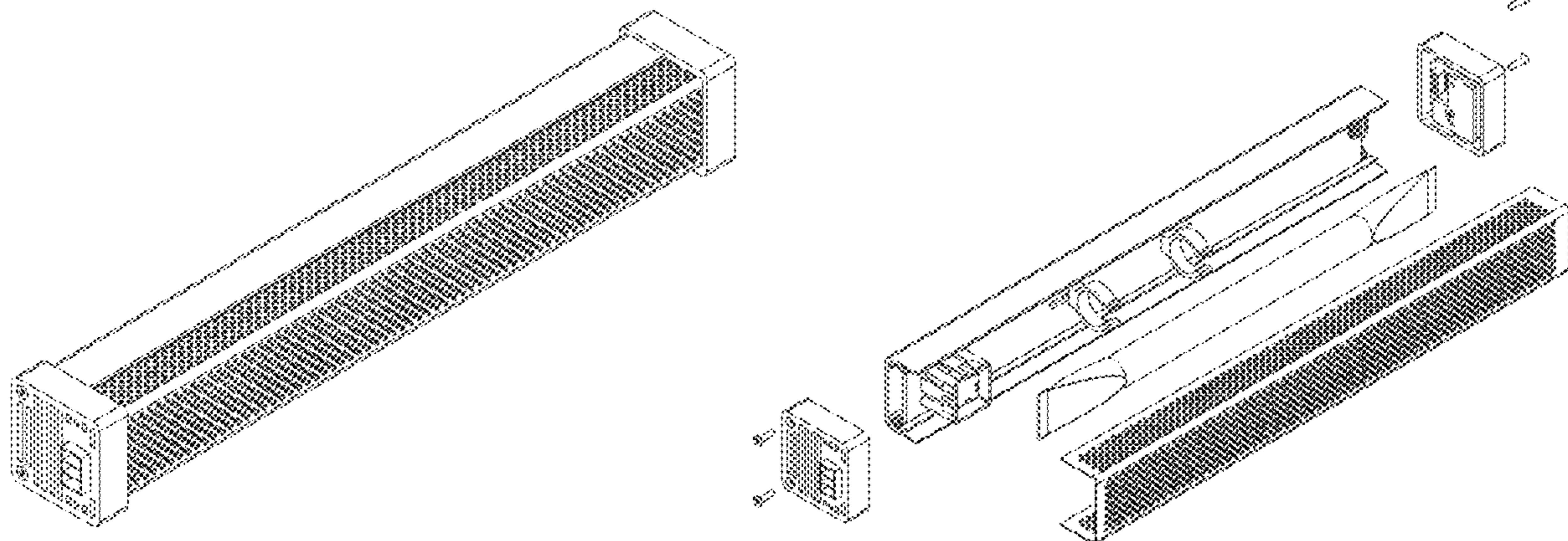
FIG. 5 is a right side elevation view of the fire extinguisher of FIG. 1.

FIG. 6 is a top plan view of the fire extinguisher of FIG. 1.

FIG. 7 is a bottom plan view of the fire extinguisher of FIG. 1; and,

FIG. 8 is an exploded, front, top, left, isometric view of the fire extinguisher of FIG. 1.

1 Claim, 5 Drawing Sheets



(56)

References Cited

U.S. PATENT DOCUMENTS

2021/0069537 A1* 3/2021 Kim H01M 50/44
2022/0023688 A1* 1/2022 Palit A62C 37/04
2022/0285794 A1* 9/2022 Fiedler H01M 50/516

* cited by examiner

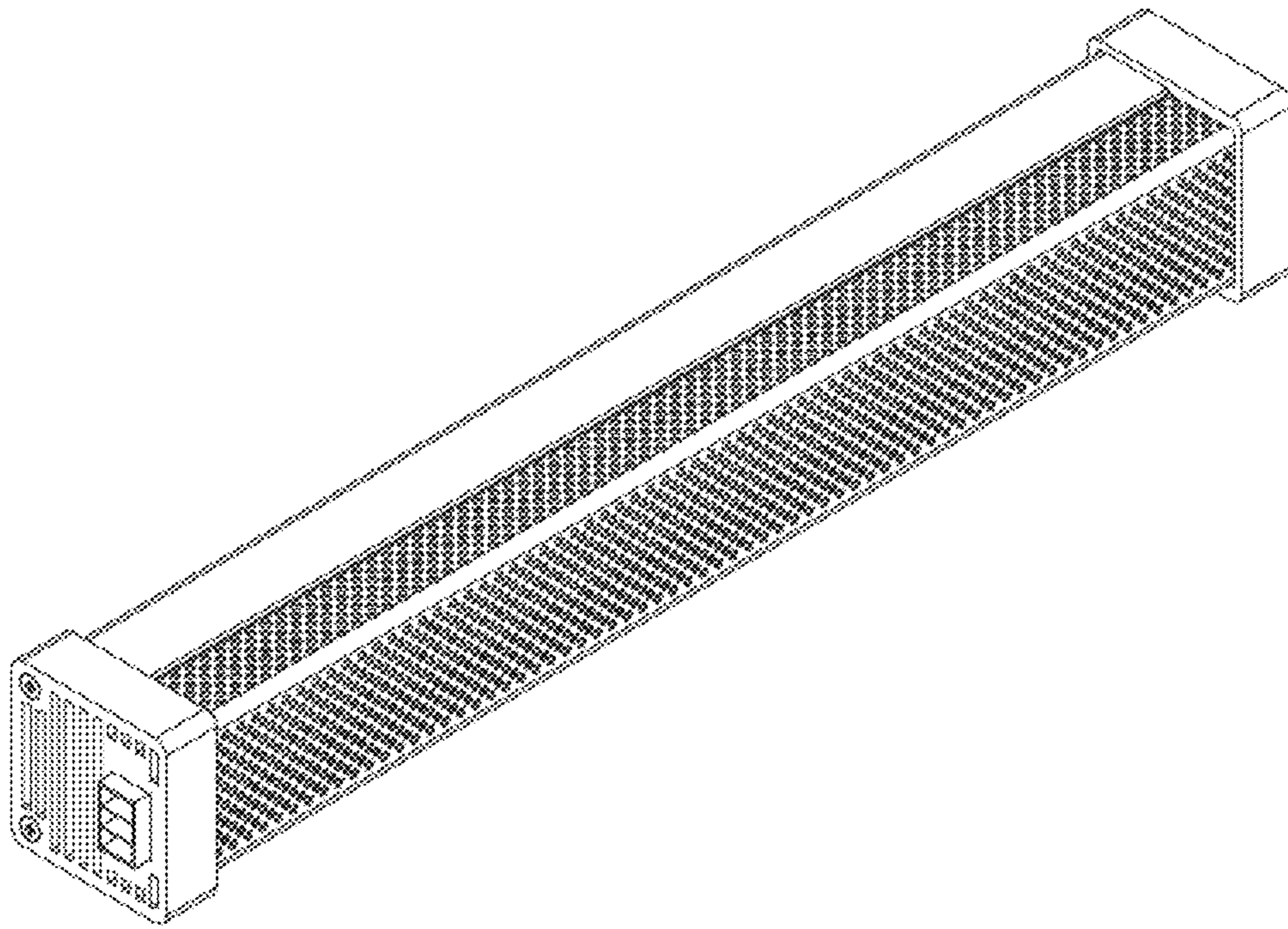


FIG. 1

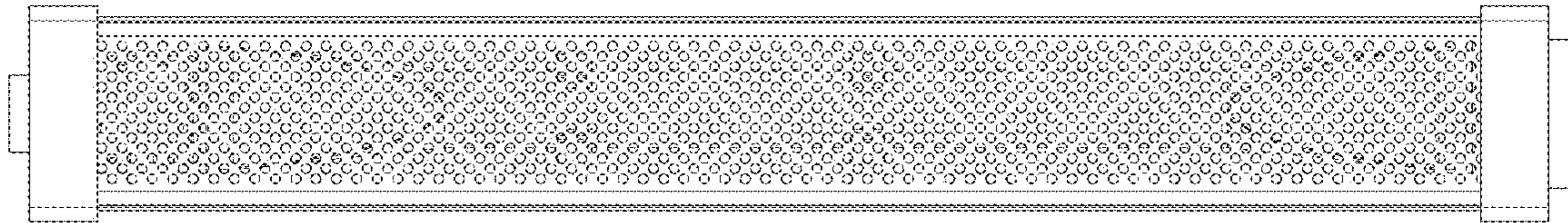


FIG. 2

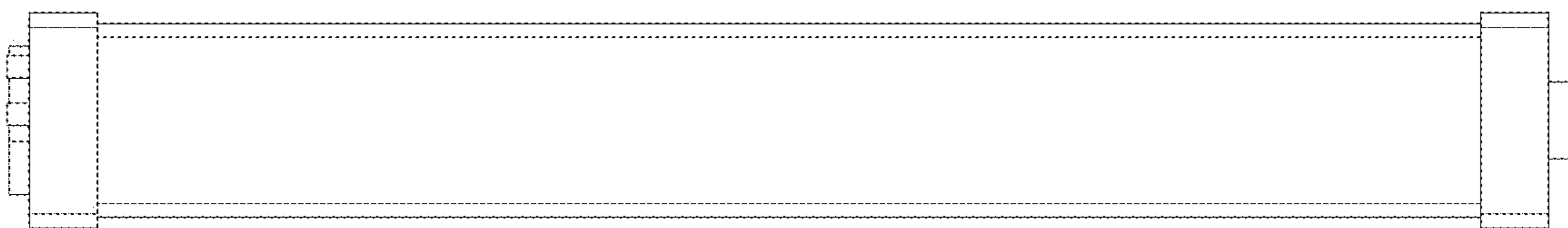


FIG. 3

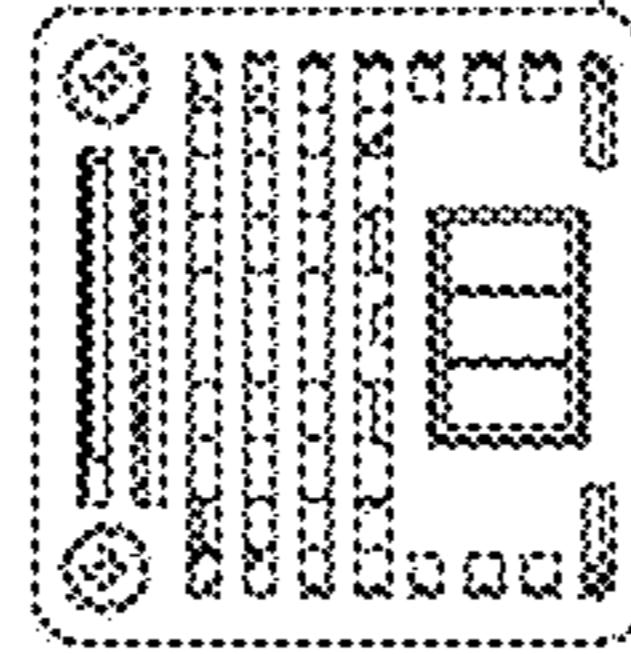


FIG. 4

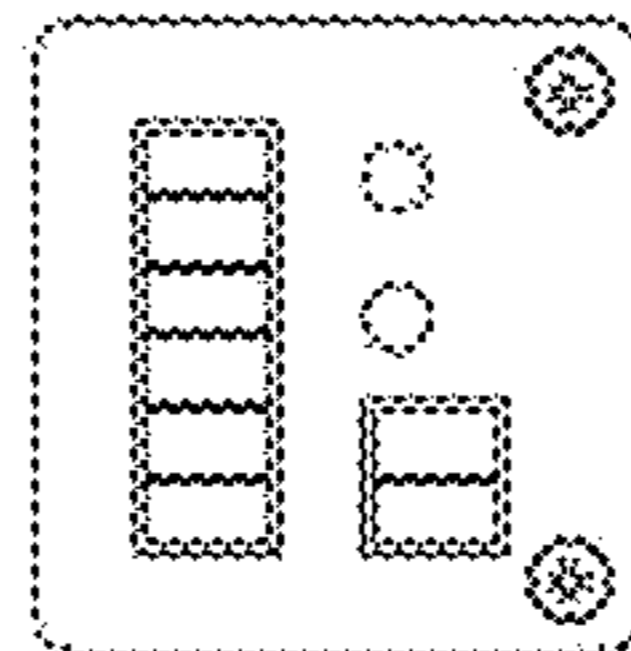


FIG. 5

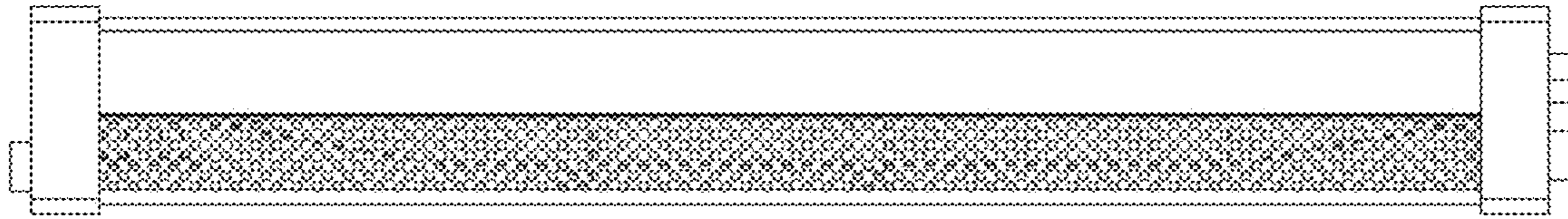


FIG. 6

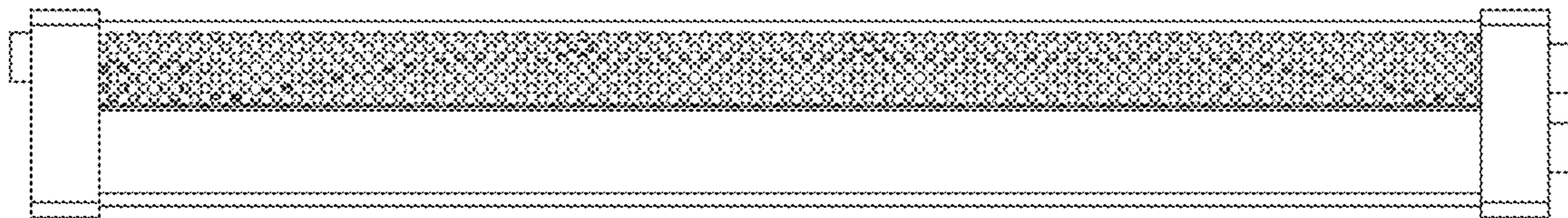


FIG. 7

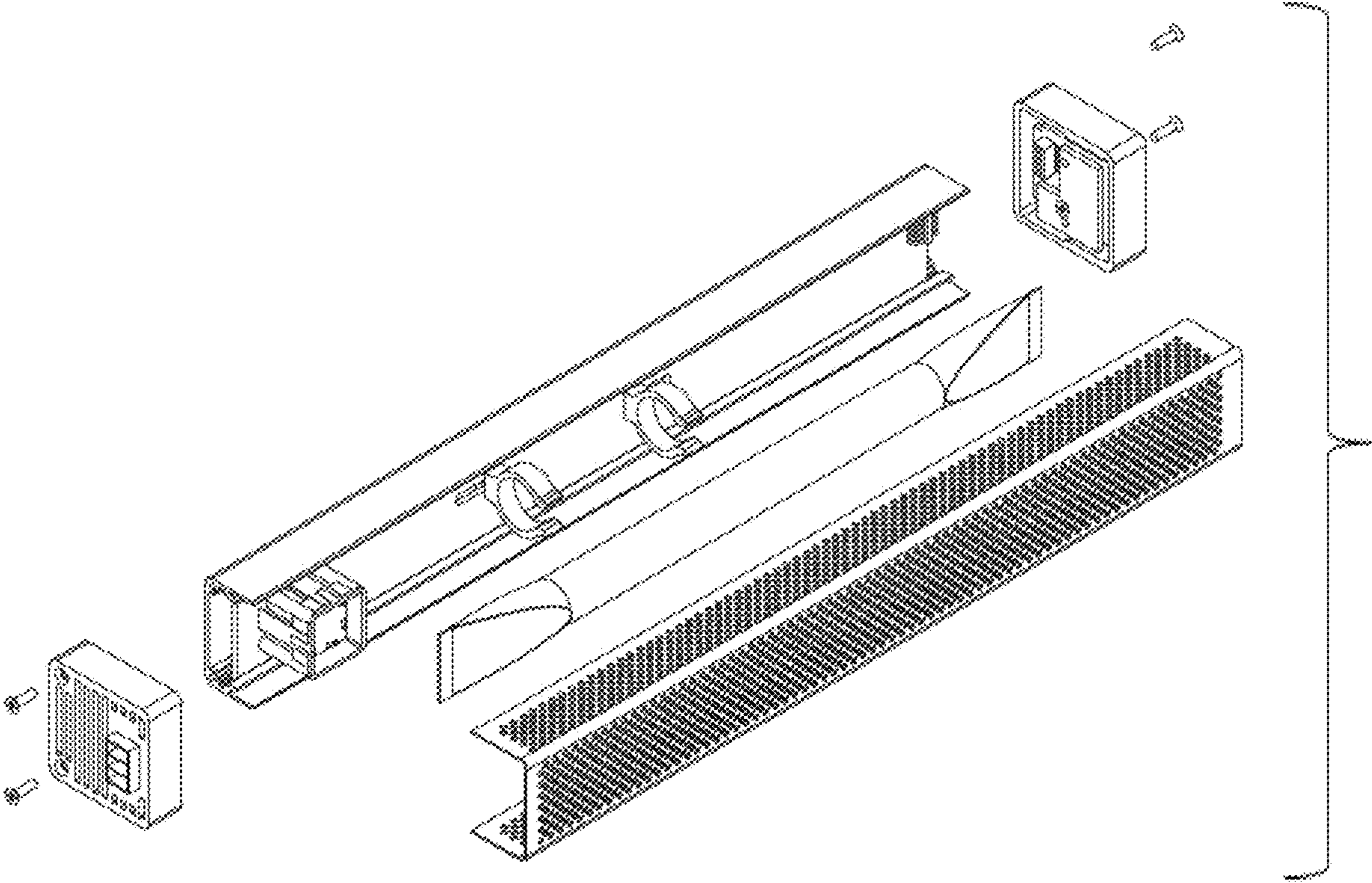


FIG. 8