



US00D987905S

(12) **United States Design Patent** (10) **Patent No.:** **US D987,905 S**  
**Ouyang** (45) **Date of Patent:** **\*\* May 30, 2023**

(54) **FISHING GLOVE**  
(71) Applicant: **Li Ouyang**, Pingxiang (CN)  
(72) Inventor: **Li Ouyang**, Pingxiang (CN)  
(\*\*) Term: **15 Years**  
(21) Appl. No.: **29/833,892**  
(22) Filed: **Apr. 7, 2022**  
(51) **LOC (14) Cl.** ..... **02-06**  
(52) **U.S. Cl.**  
USPC ..... **D29/113**  
(58) **Field of Classification Search**  
USPC ..... D2/617-619, 621, 623; D29/113, 115,  
D29/116.2, 117.1, 117.2, 118, 119, 120.1  
CPC . A63B 71/146; A63B 2209/10; A63B 71/143;  
A63B 71/148; A63B 71/141; A41D  
19/0006; A41D 19/015  
See application file for complete search history.

(56) **References Cited**  
U.S. PATENT DOCUMENTS  
D434,192 S \* 11/2000 Warrior ..... D29/113  
D524,489 S \* 7/2006 Scott ..... D29/113  
D880,780 S \* 4/2020 Jarvis ..... D29/117.1  
D926,426 S 8/2021 Furstenburg  
D937,496 S 11/2021 Farrar

**OTHER PUBLICATIONS**  
LED Flashlight Gloves, posted at amazon.com, posting date Jun. 7, 2022, [online], [site visited Sep. 14, 2022]. Available from Internet, URL: <https://www.amazon.com/LED-Flashlight-Gloves-Gift-Men/dp/B0B153K3WR> (Year: 2022).\*

LED Ultra Bright Flashlight Gloves, posted at amazon.com, posting date Nov. 14, 2020, [online], [site visited Sep. 14, 2022]. Available from Internet, URL: <https://www.amazon.com/Flashlight-Rechargeable-Mechanics-Electrician-Tactical/dp/B08NFMPN6V> (Year: 2020).\*  
Rechargeable LED Flashlight Gloves, posted at amazon.com, posting date Dec. 5, 2021, [online], [site visited Sep. 14, 2022]. Available from Internet, URL: <https://www.amazon.com/dp/B09N2QWSJY/> (Year: 2021).\*

\* cited by examiner  
*Primary Examiner* — Maria J. Edwards

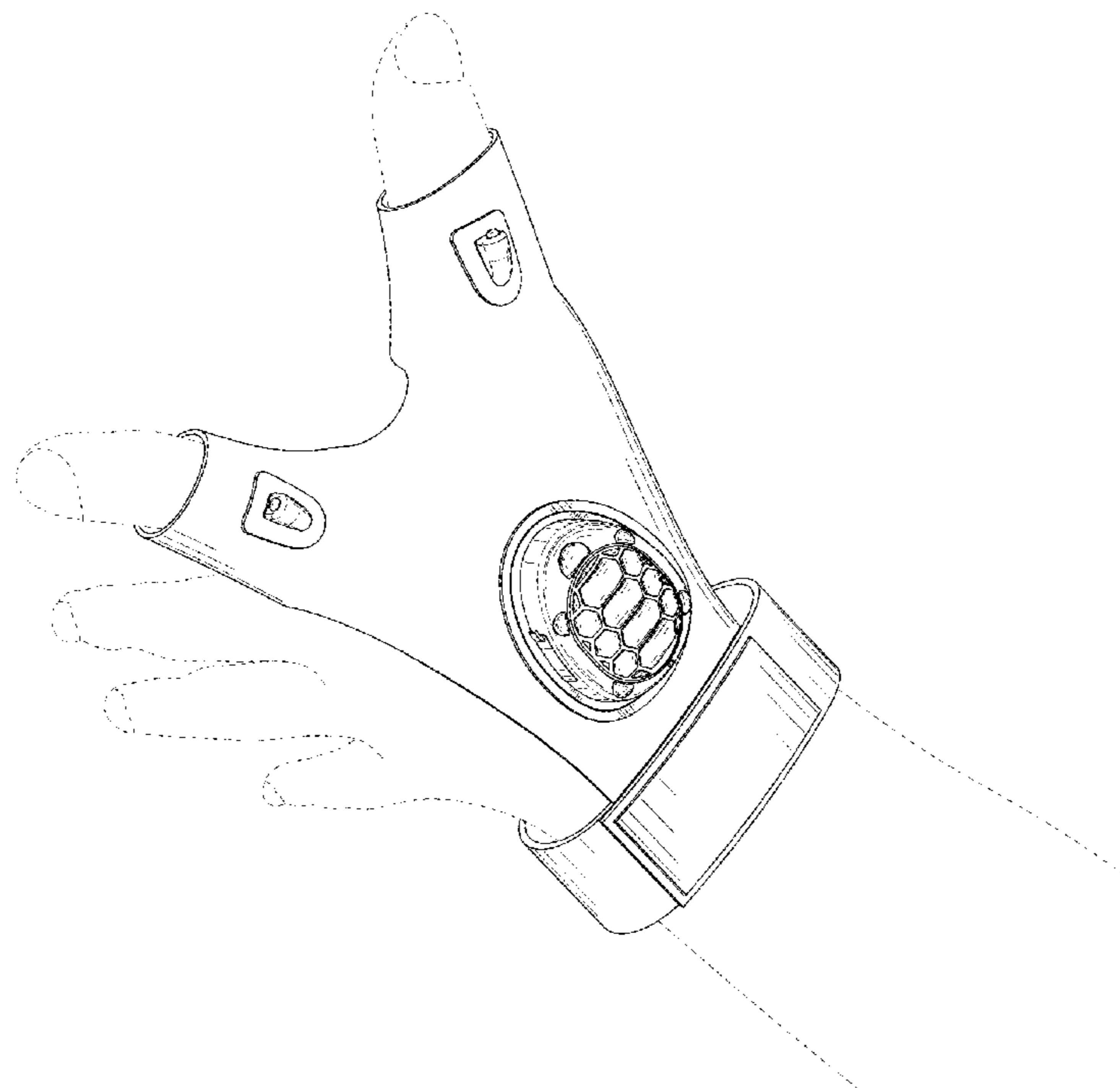
(57) **CLAIM**

The ornamental design for a fishing glove, as shown and described.

**DESCRIPTION**

FIG. 1 is a front, left and top perspective view of a fishing glove, showing my new design;  
FIG. 2 is a right, rear and bottom perspective view thereof;  
FIG. 3 is a front view thereof;  
FIG. 4 is a rear view thereof;  
FIG. 5 is a left side view thereof;  
FIG. 6 is a right side view thereof;  
FIG. 7 is a top plan view thereof;  
FIG. 8 is a bottom plan view thereof; and,  
FIG. 9 is a perspective view of the fishing glove, shown in a condition of use.  
The broken lines showing a hand and an arm illustrate environmental subject matter and form no part of the claimed design.

**1 Claim, 9 Drawing Sheets**



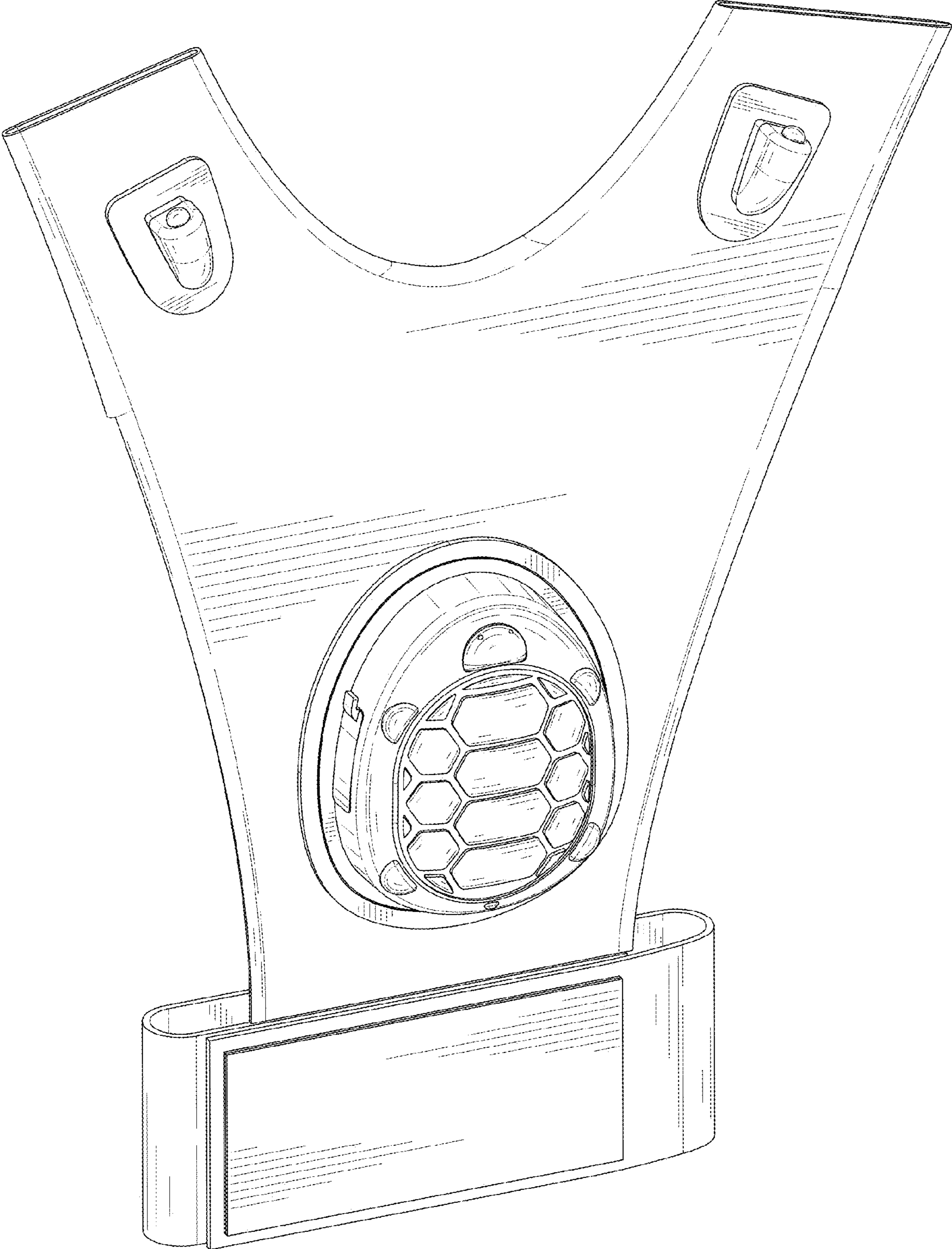


FIG. 1

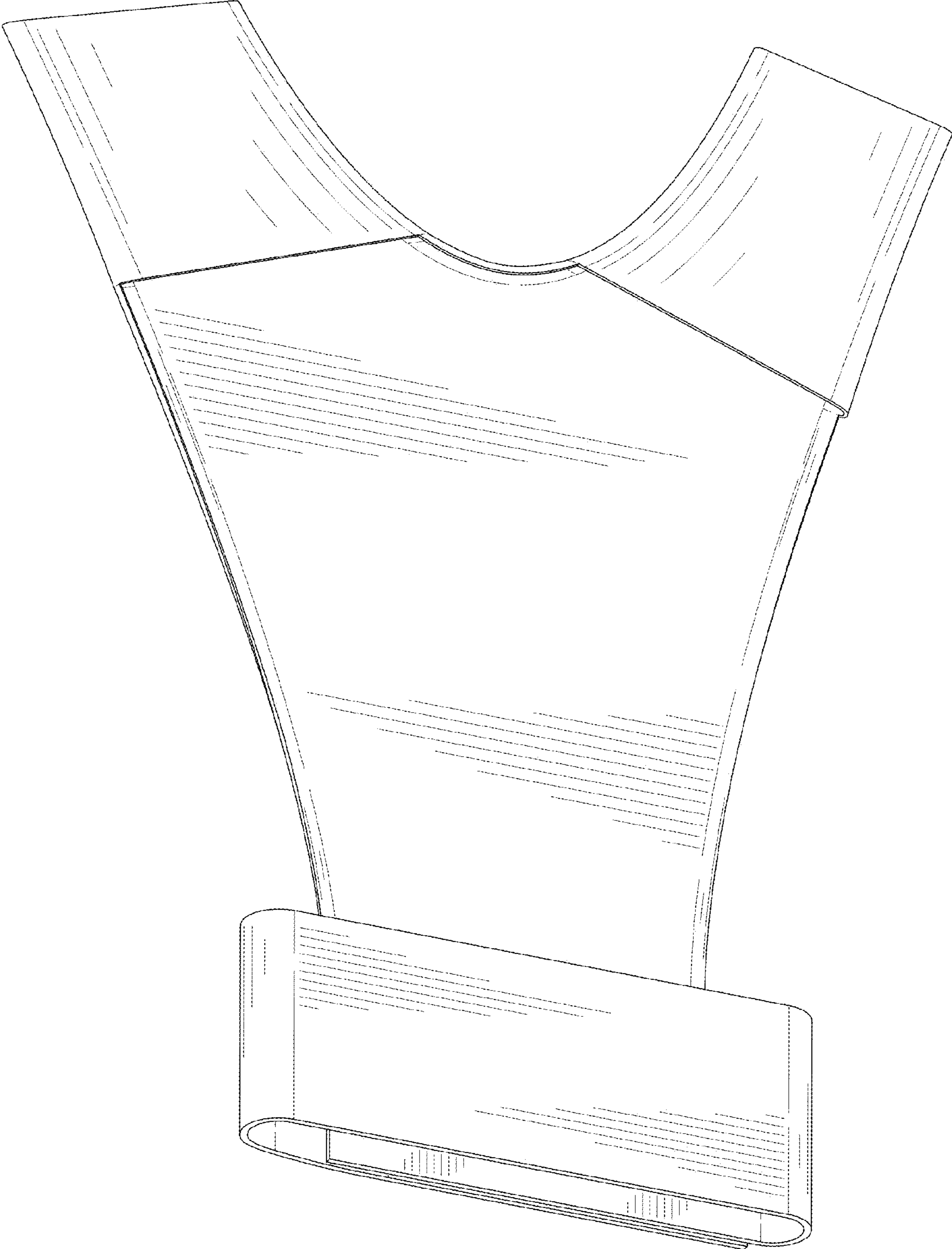


FIG. 2

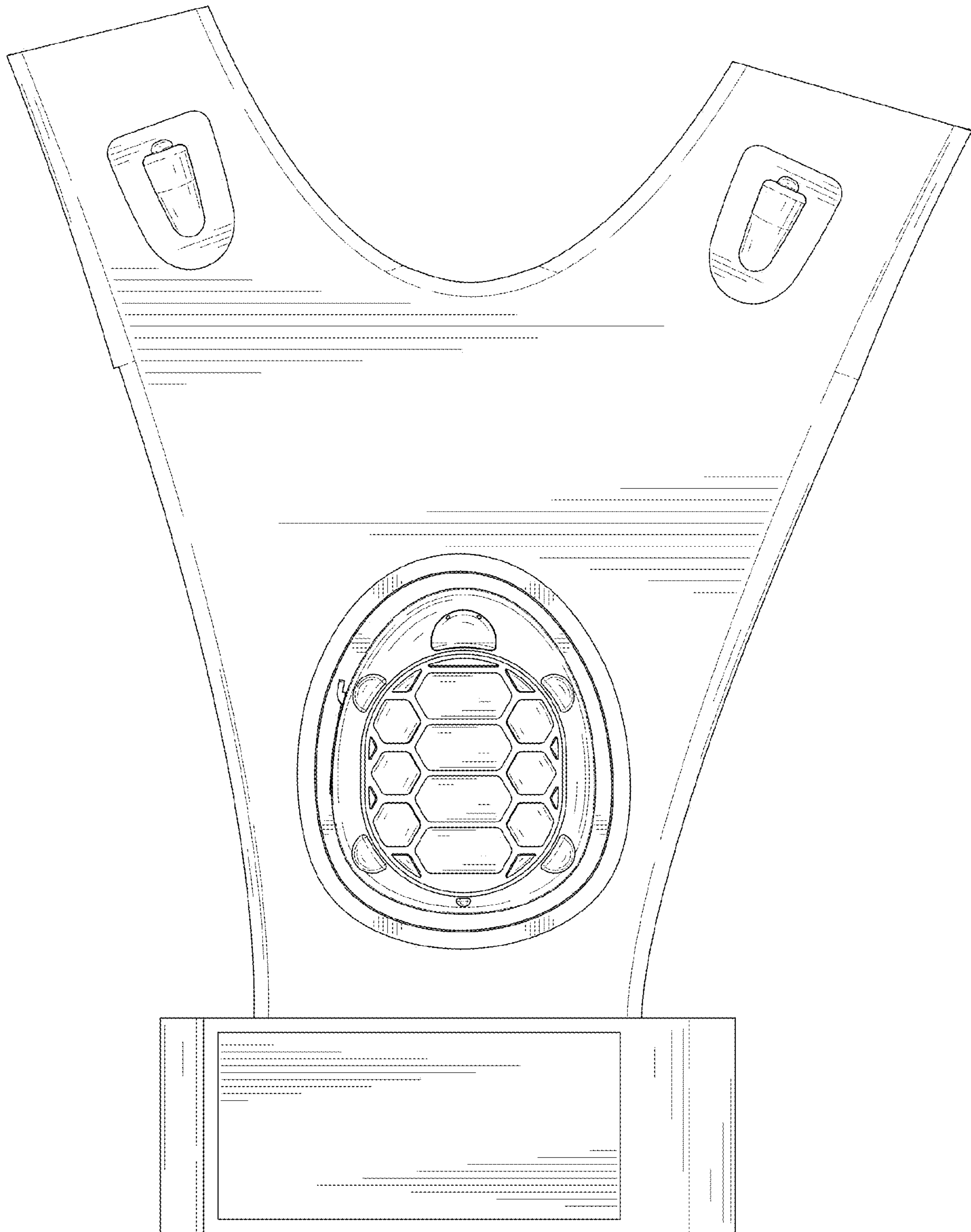


FIG. 3

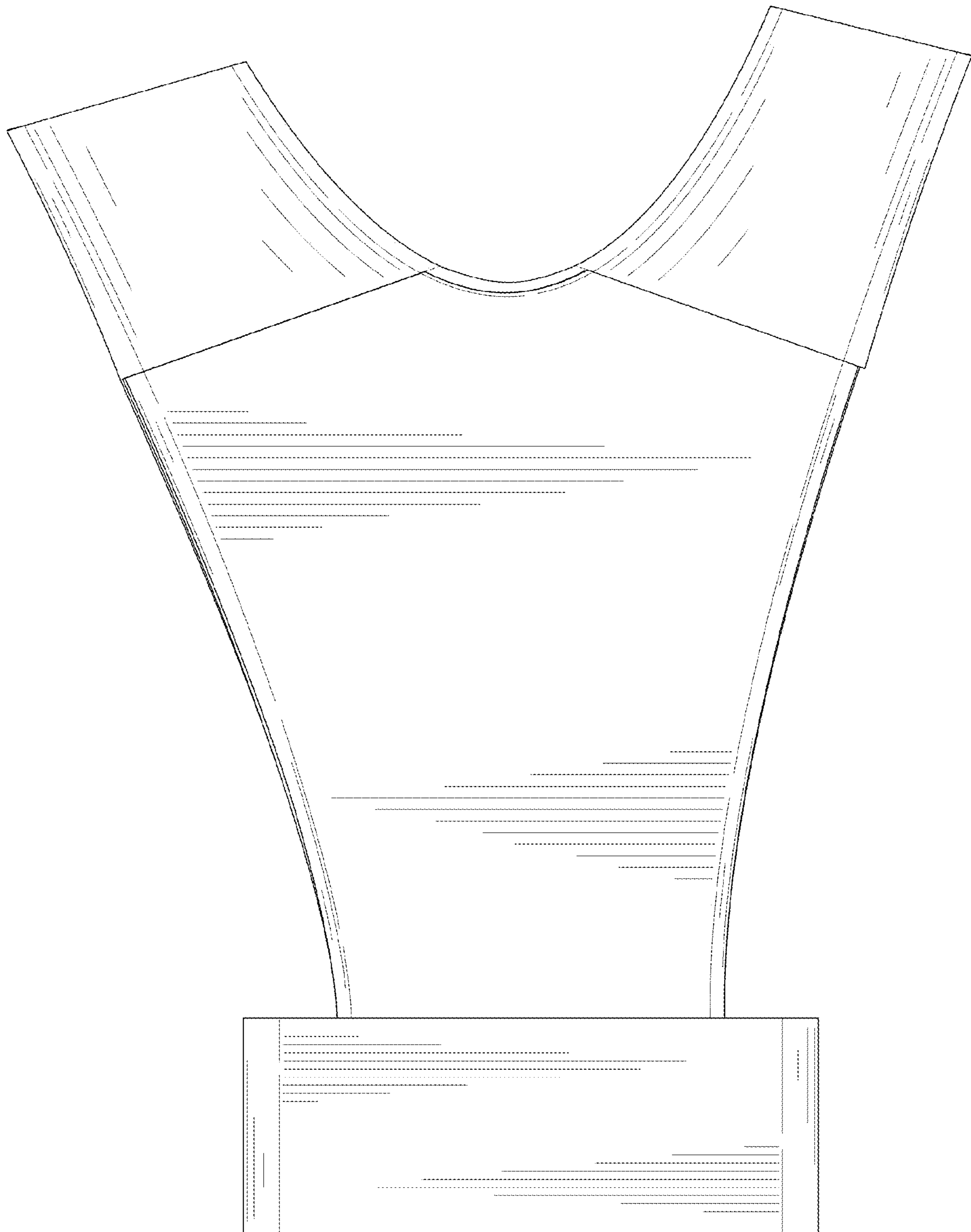


FIG. 4

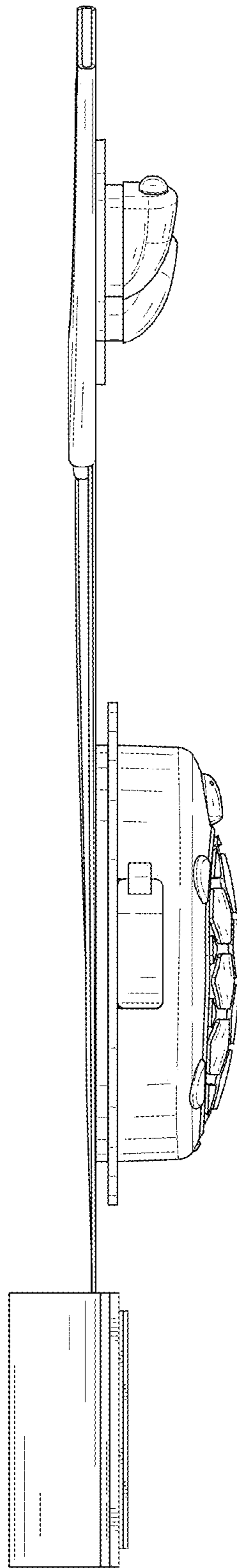


FIG. 5

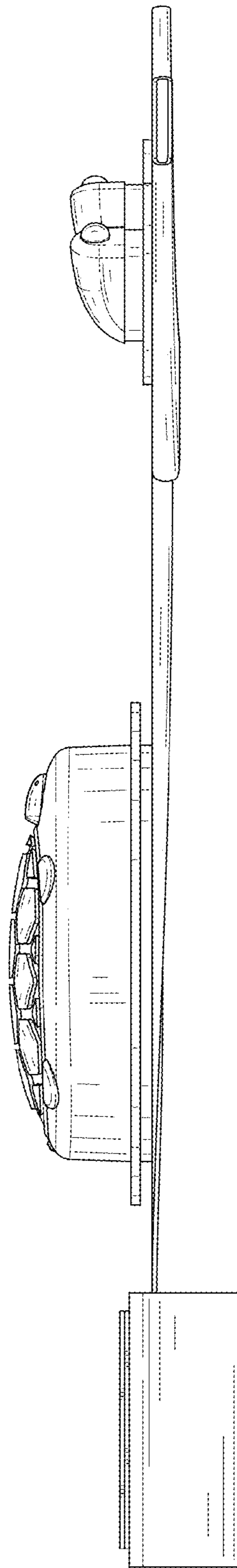


FIG. 6

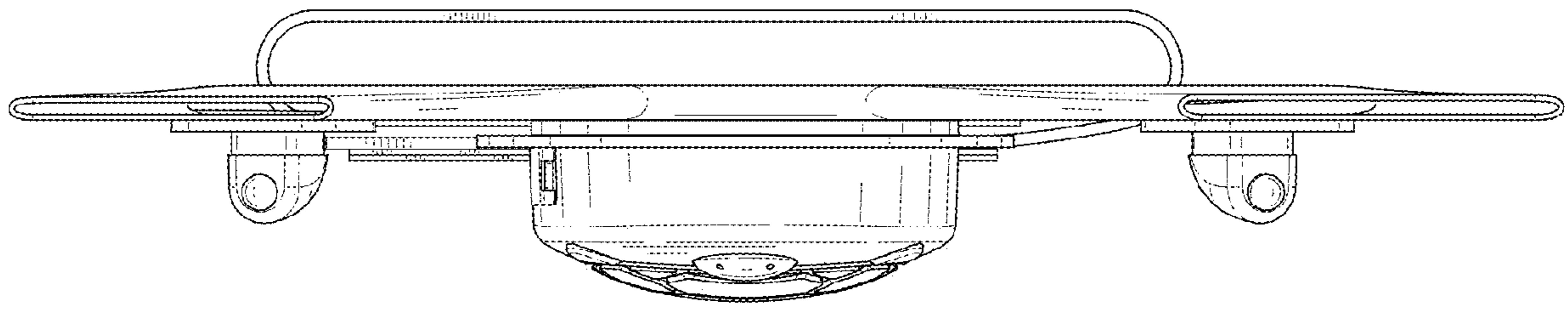


FIG. 7



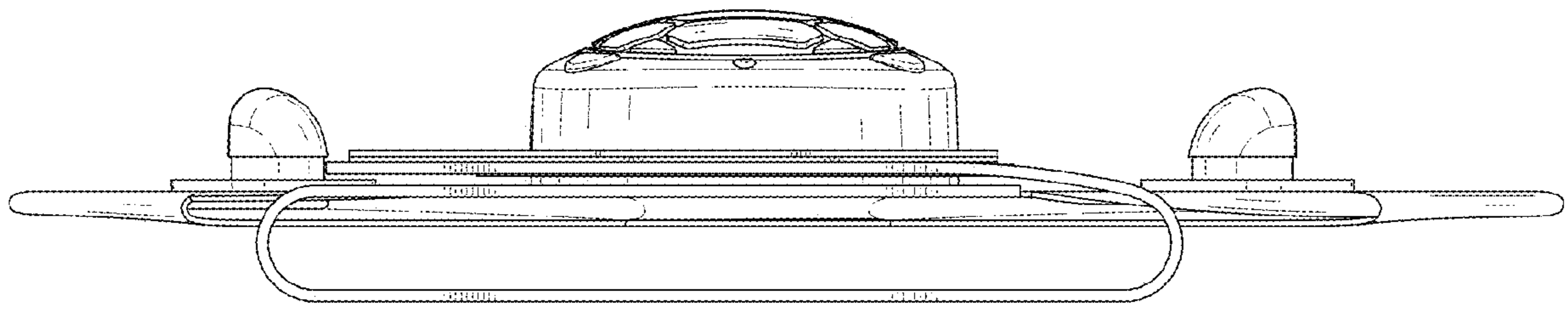


FIG. 8

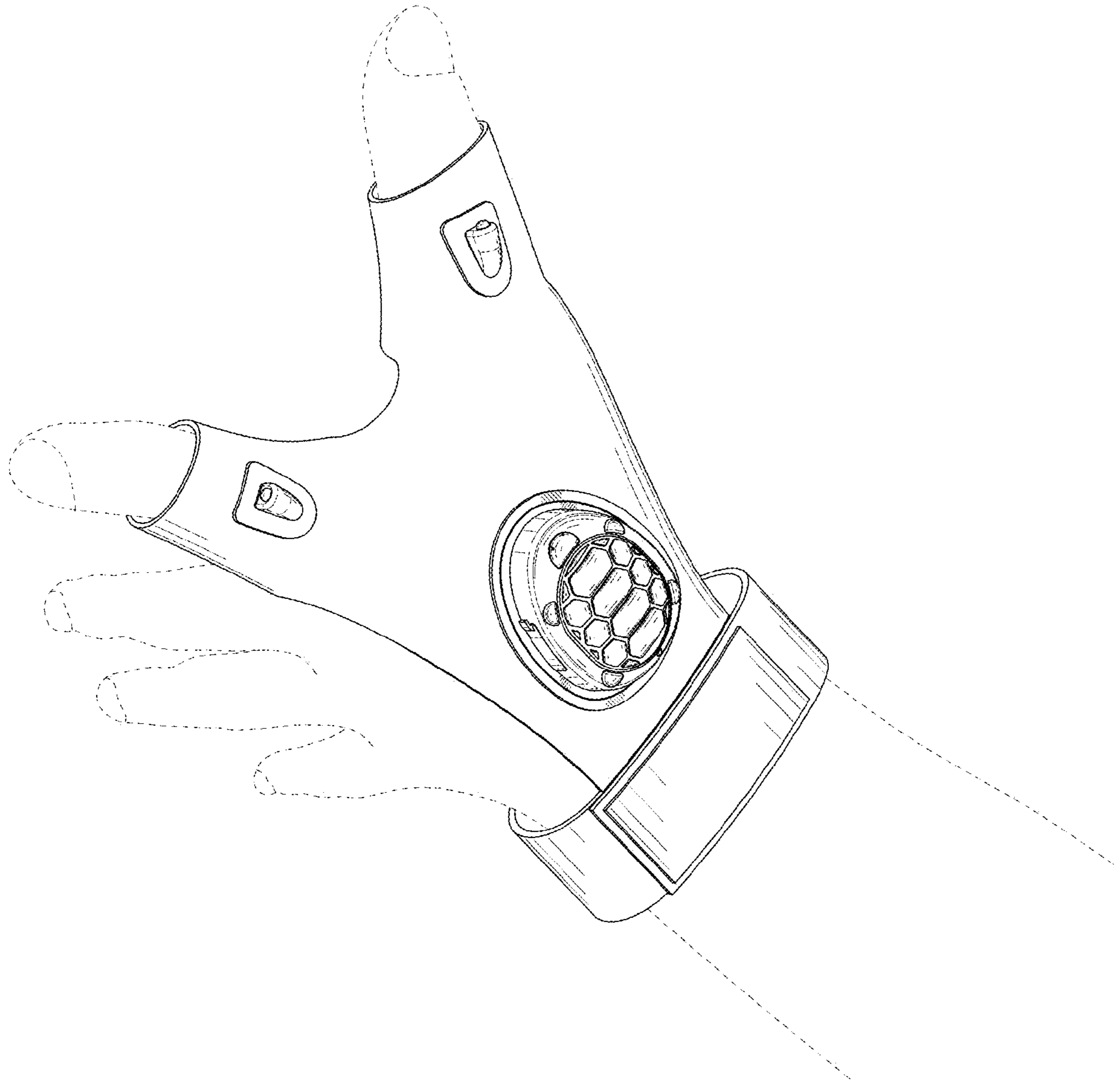


FIG. 9