



US00D987904S

(12) **United States Design Patent**  
**Wu**

(10) **Patent No.:** **US D987,904 S**

(45) **Date of Patent:** **\*\* May 30, 2023**

(54) **HELMET**

(71) Applicant: **HUIZHOU LANOVA OUTDOOR PRODUCTS CO., LTD**, Huizhou (CN)

(72) Inventor: **Jianjing Wu**, Huizhou (CN)

(73) Assignee: **HUIZHOU LANOVA OUTDOOR PRODUCTS CO., LTD**, Huizhou (CN)

(\*\*) Term: **15 Years**

(21) Appl. No.: **29/779,817**

(22) Filed: **Apr. 21, 2021**

(51) **LOC (14) Cl.** ..... **02-03**

(52) **U.S. Cl.**  
USPC ..... **D29/102**

(58) **Field of Classification Search**  
USPC ..... D29/102-106, 122  
CPC ..... A42B 3/00; A42B 3/04; A42B 3/0406;  
A42B 3/0433; A42B 3/0453; A42B  
3/0466; A42B 3/0493; A42B 3/06; A42B  
3/065; A42B 3/066  
See application file for complete search history.

(56) **References Cited**

**U.S. PATENT DOCUMENTS**

D724,788 S	*	3/2015	Woxing	.....	D29/102
D745,744 S	*	12/2015	Saam	.....	D29/102
D759,899 S	*	6/2016	Finiel	.....	D29/102
D773,120 S	*	11/2016	Storey	.....	D29/102
D795,500 S	*	8/2017	Chilson	.....	D29/102
D840,109 S	*	2/2019	Chae	.....	D29/102
D874,734 S	*	2/2020	Vos	.....	D29/102
D920,582 S	*	5/2021	Chen	.....	D29/102

D931,545 S	*	9/2021	Ashida	.....	D29/102
D934,506 S	*	10/2021	Tan	.....	D29/102
D938,657 S	*	12/2021	Kele	.....	D29/102

**FOREIGN PATENT DOCUMENTS**

CN	307617506	*	10/2022
CN	307882523	*	3/2023

**OTHER PUBLICATIONS**

Protective Breathable Impact Resistance Brim Bicycle Helmet (on-line), no date available. Retrieved from Internet Mar. 21, 2023, URL: [https://www.alibaba.com/product-detail/China-Hot-Selling-Outdoor-Protective-Breathable\\_1600517968638.html?spm=a2700.shop\\_pl.41413.33.3ada7571FTzcOw](https://www.alibaba.com/product-detail/China-Hot-Selling-Outdoor-Protective-Breathable_1600517968638.html?spm=a2700.shop_pl.41413.33.3ada7571FTzcOw) (8 pages).\*

\* cited by examiner

*Primary Examiner* — Kimberly Barnes  
(74) *Attorney, Agent, or Firm* — WPAT, P.C

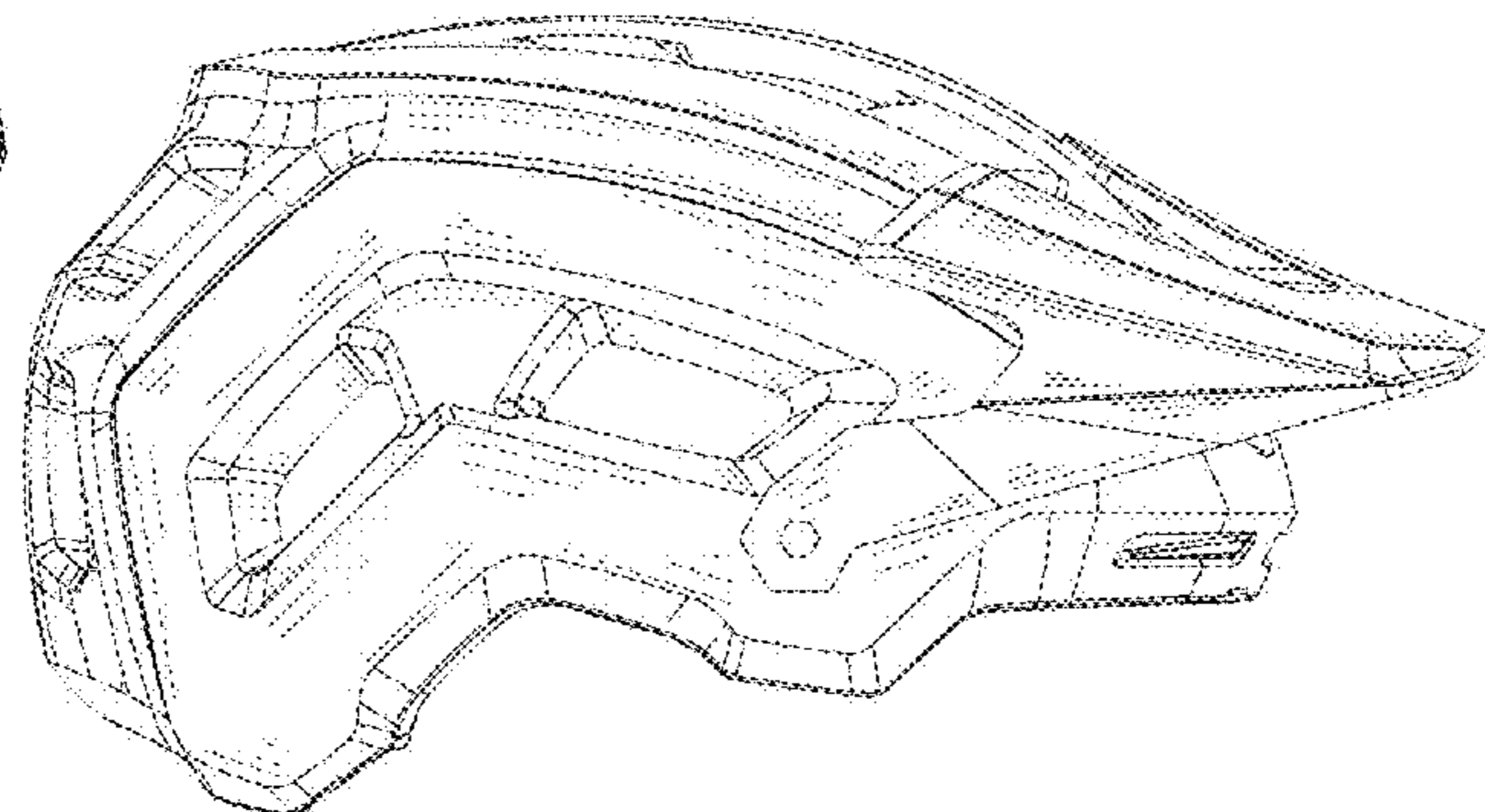
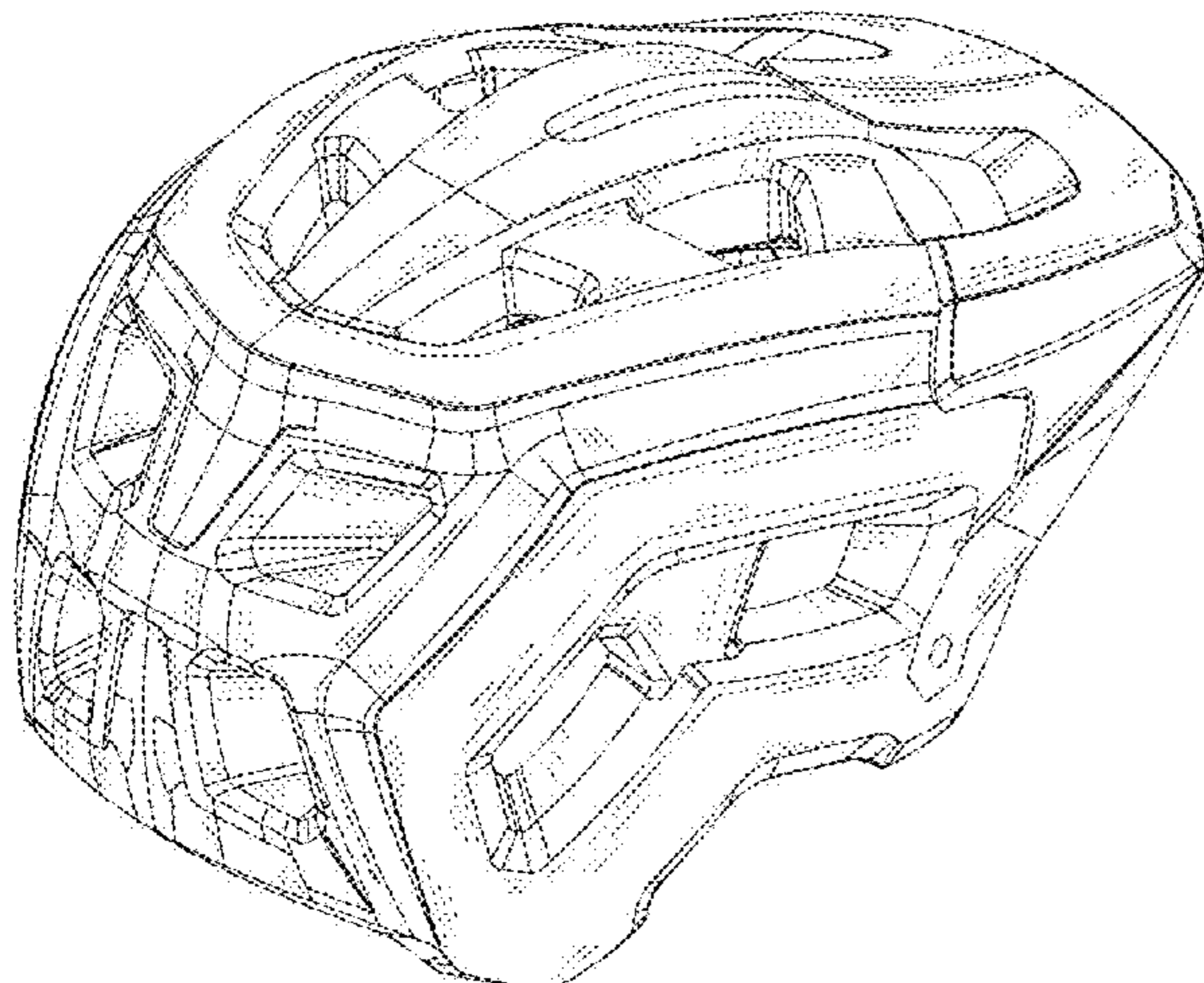
(57) **CLAIM**

The ornamental design for a helmet, as shown and described.

**DESCRIPTION**

FIG. 1 is a perspective view of a helmet, showing my new design;  
FIG. 2 is a front view thereof;  
FIG. 3 is a rear view thereof;  
FIG. 4 is a left side view thereof;  
FIG. 5 is a right side view thereof;  
FIG. 6 is a top plan view thereof; and,  
FIG. 7 is a bottom plan view thereof.

**1 Claim, 5 Drawing Sheets**



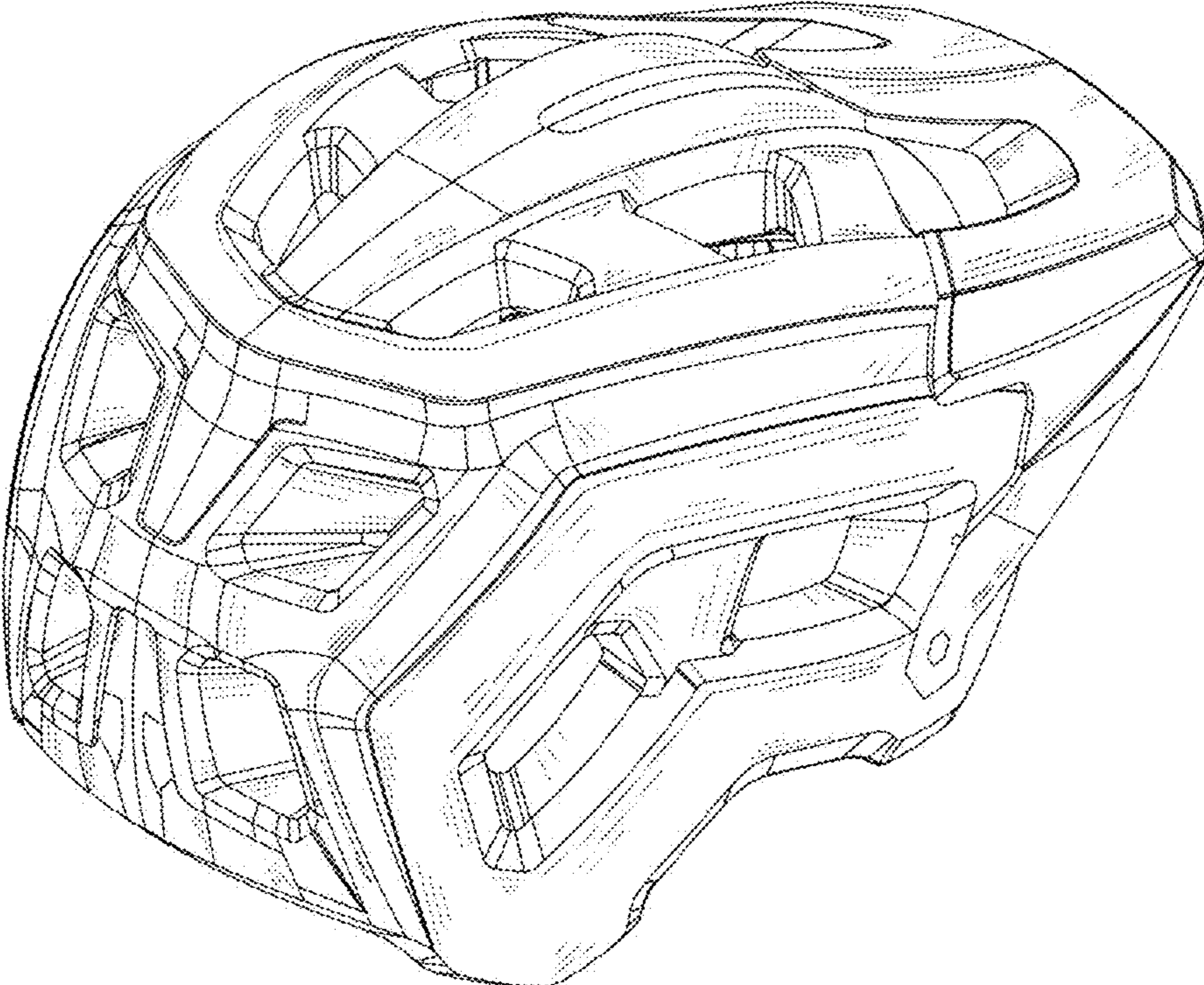


FIG. 1

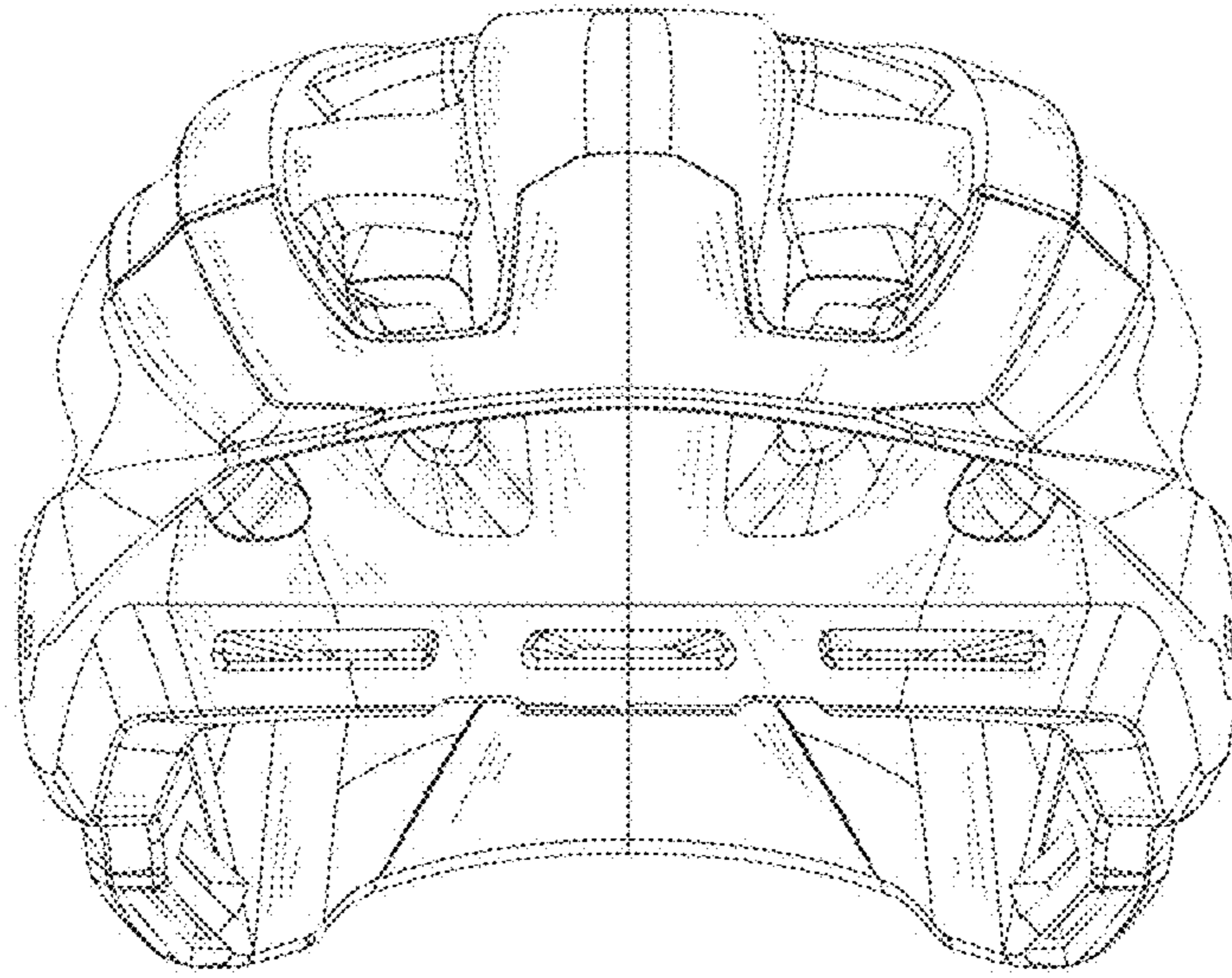


FIG. 2

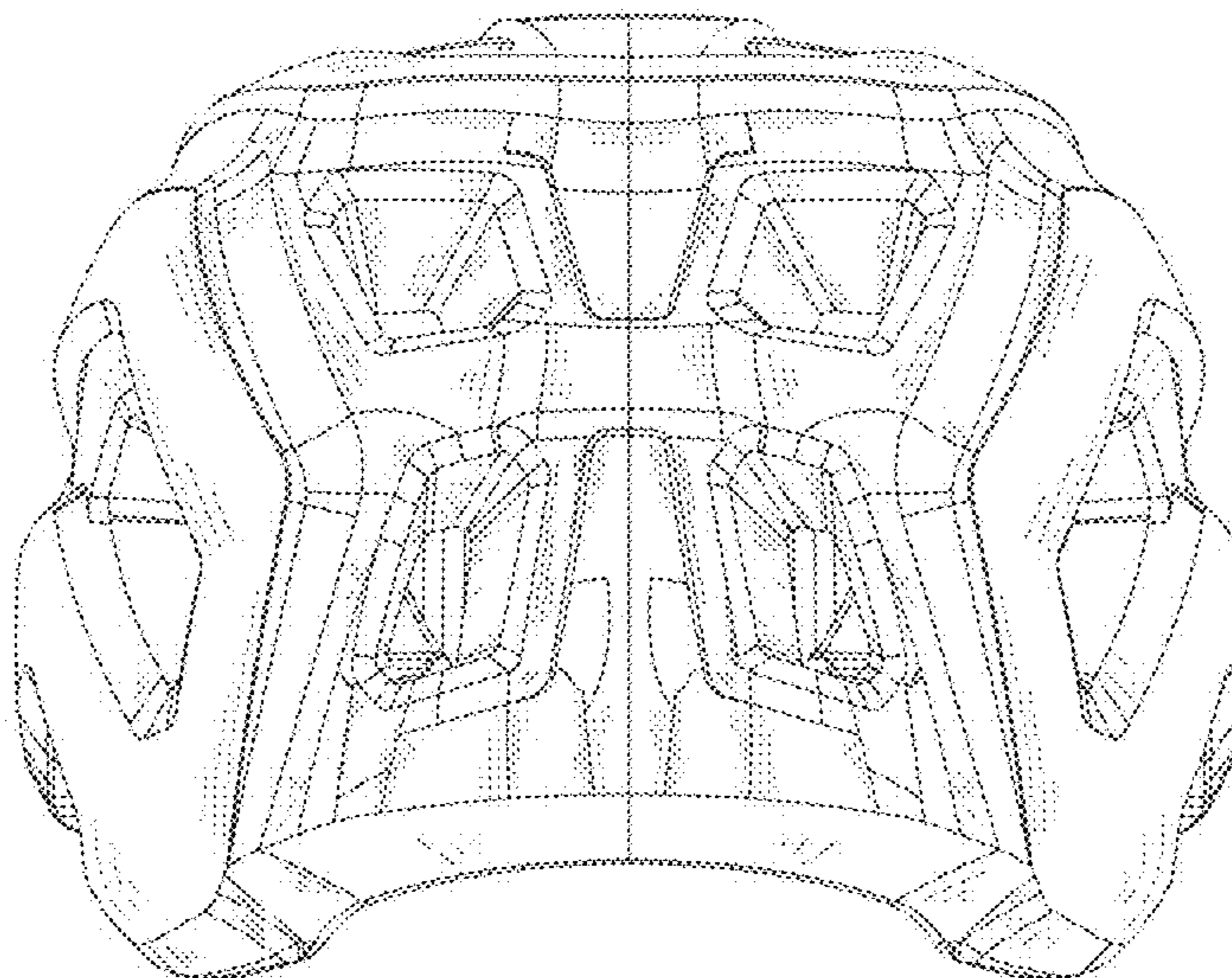


FIG. 3

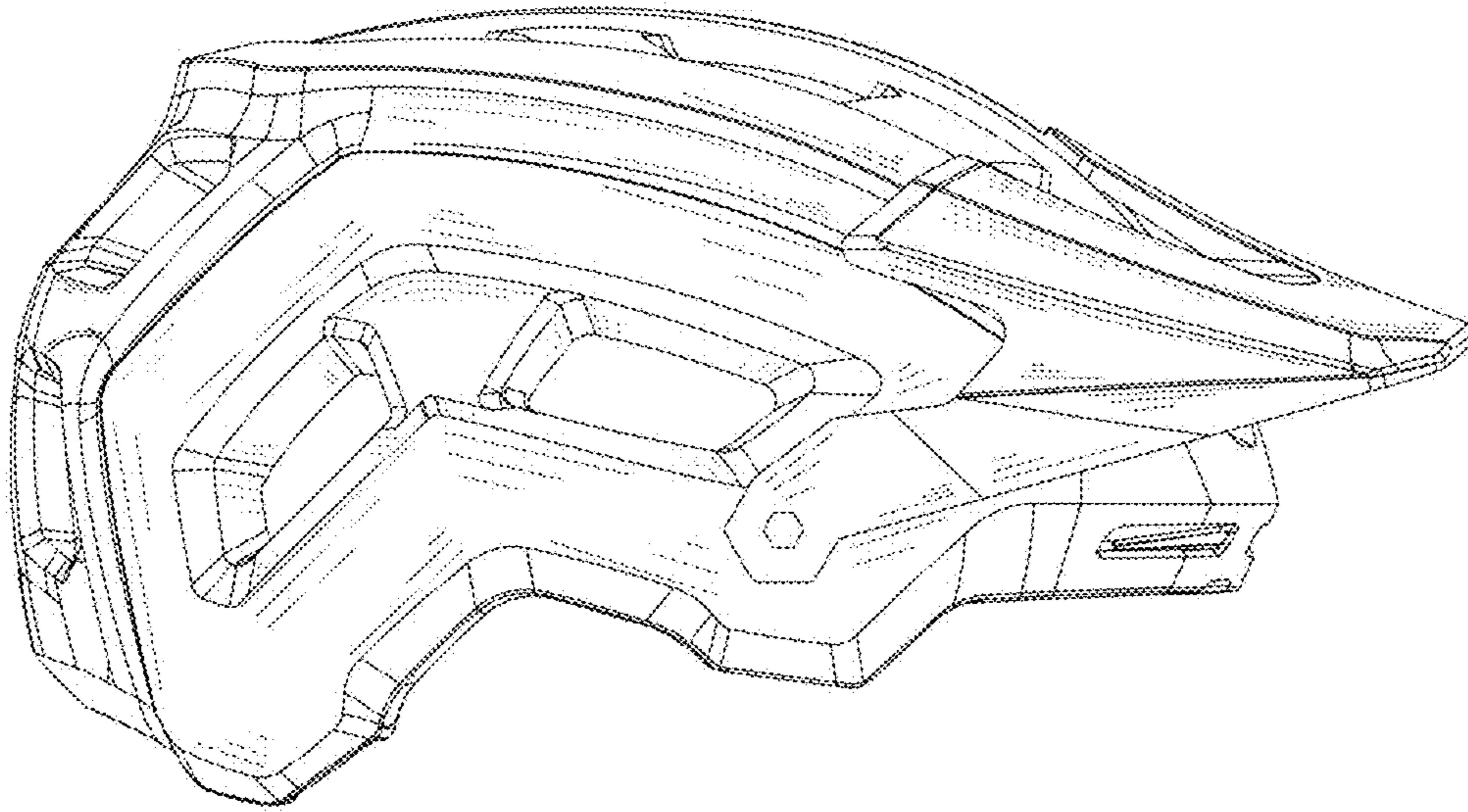


FIG. 4

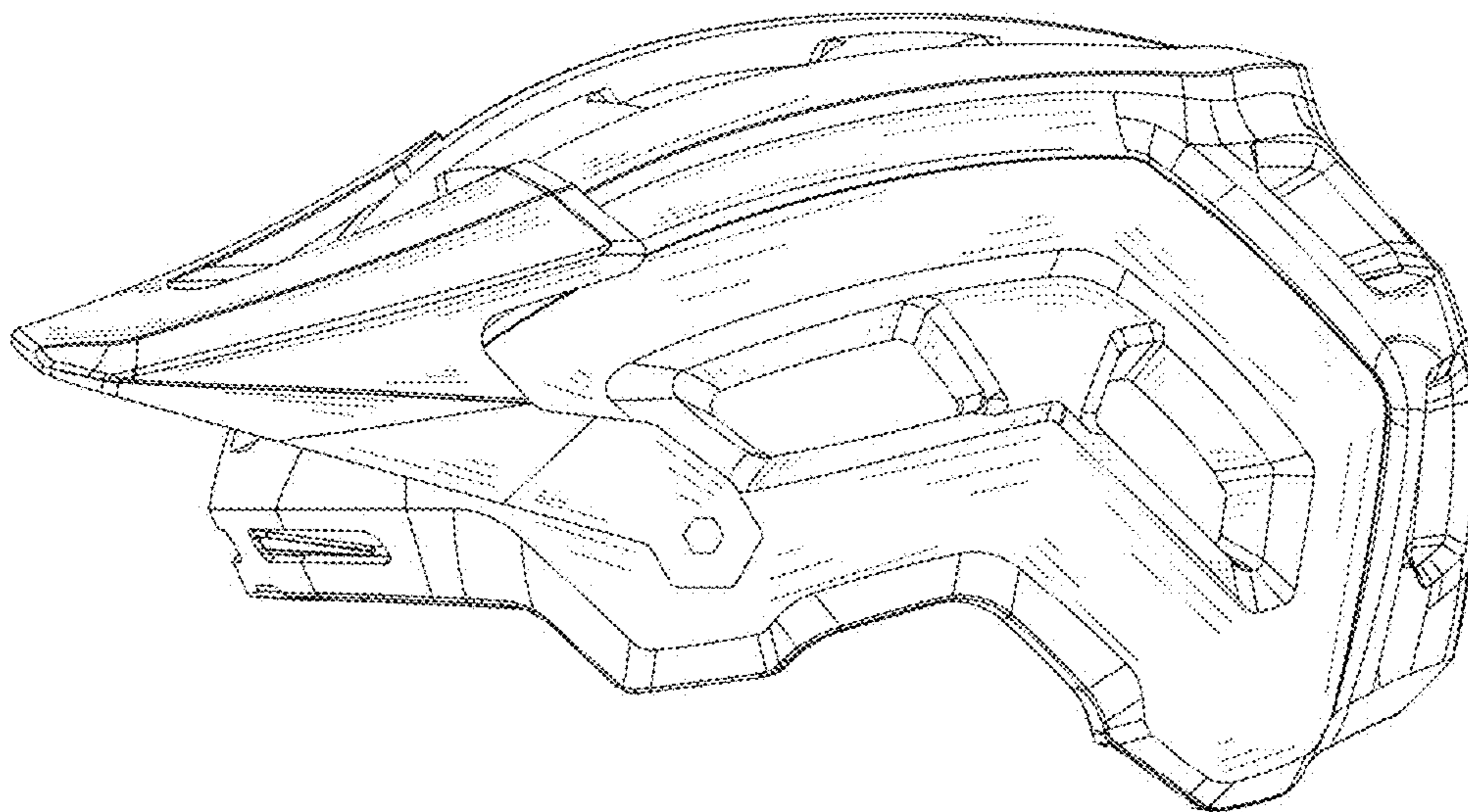


FIG. 5

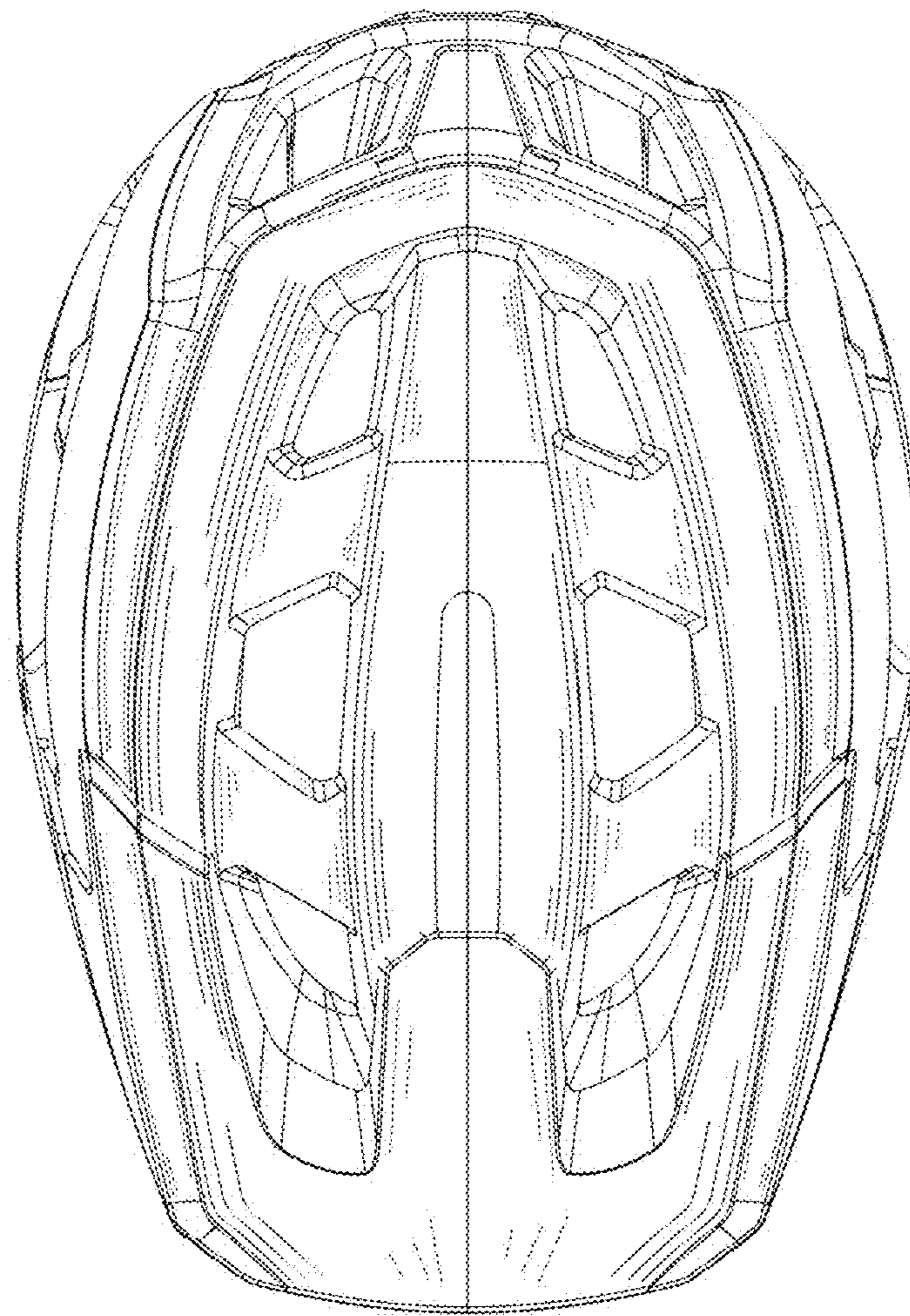


FIG. 6

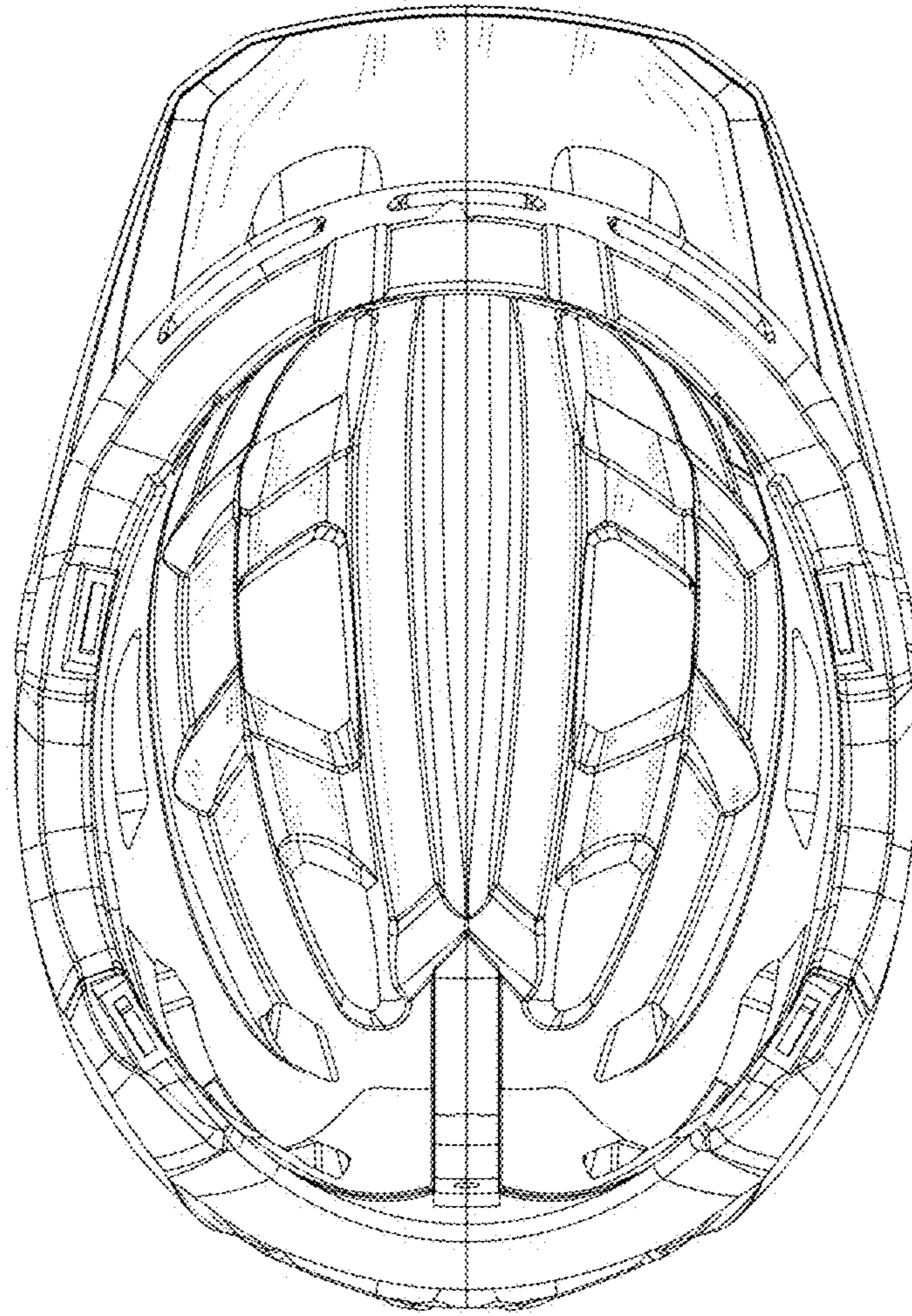


FIG. 7