



US00D987903S

(12) **United States Design Patent** (10) **Patent No.:** **US D987,903 S**
McGrath (45) **Date of Patent:** **** May 30, 2023**

(54) **LIPSTICK CASE**
(71) Applicant: **Pat McGrath Cosmetics LLC**, New York, NY (US)
(72) Inventor: **Patricia McGrath**, New York, NY (US)
(73) Assignee: **Pat McGrath Cosmetics LLC**, New York, NY (US)

D141,199 S * 5/1945 Basescu D28/77
D320,288 S * 9/1991 Chen D28/87
D366,730 S * 1/1996 Chen D28/86
D368,555 S * 4/1996 Wacker D28/88
D444,597 S * 7/2001 Weinstock D28/76
D874,274 S * 2/2020 Katopis D9/451
D878,681 S * 3/2020 McGrath D28/90
D906,594 S * 12/2020 McGrath D28/89
2020/0015570 A1 * 1/2020 McGrath A61Q 1/06

(**) Term: **15 Years**
(21) Appl. No.: **29/721,902**
(22) Filed: **Jan. 24, 2020**

(30) **Foreign Application Priority Data**

Jul. 24, 2019 (EM) 006646089-0001

(51) **LOC (14) Cl.** **28-03**

(52) **U.S. Cl.**
USPC **D28/87**

(58) **Field of Classification Search**
USPC D28/7, 73, 76, 77, 85-90, 99; D9/718, D9/725, 739, 503, 504, 516, 529, 559, D9/560, 572-575, 681, 688
CPC A45D 33/00; A45D 33/02; A45D 33/16; A45D 33/18; A45D 33/22; A45D 33/24; A45D 33/26; A45D 33/28; A45D 40/00; A45D 40/0012; A45D 40/0018; A45D 40/02; A45D 40/10; A45D 40/22; A45D 40/24

See application file for complete search history.

(56) **References Cited**

U.S. PATENT DOCUMENTS

D131,440 S * 2/1942 Preller D28/87
2,367,992 A * 1/1945 Beris A45D 40/00
434/100

OTHER PUBLICATIONS

Pat McGrath Mattetrance Lipstick: a Beautiful Matte Lipstick!, The Beauty Junkee, published on Apr. 8, 2019, retrieved on Jun. 9, 2021, retrieved from the Internet URL: <https://thebeautyjunkee.blogspot.com/2019/04/pat-mcgrath-mattetrance-lipstick-review.html>.*

(Continued)

Primary Examiner — Jennifer Rivard
Assistant Examiner — Alison M Ofstun
(74) *Attorney, Agent, or Firm* — Ziegler IP Law Group, LLC

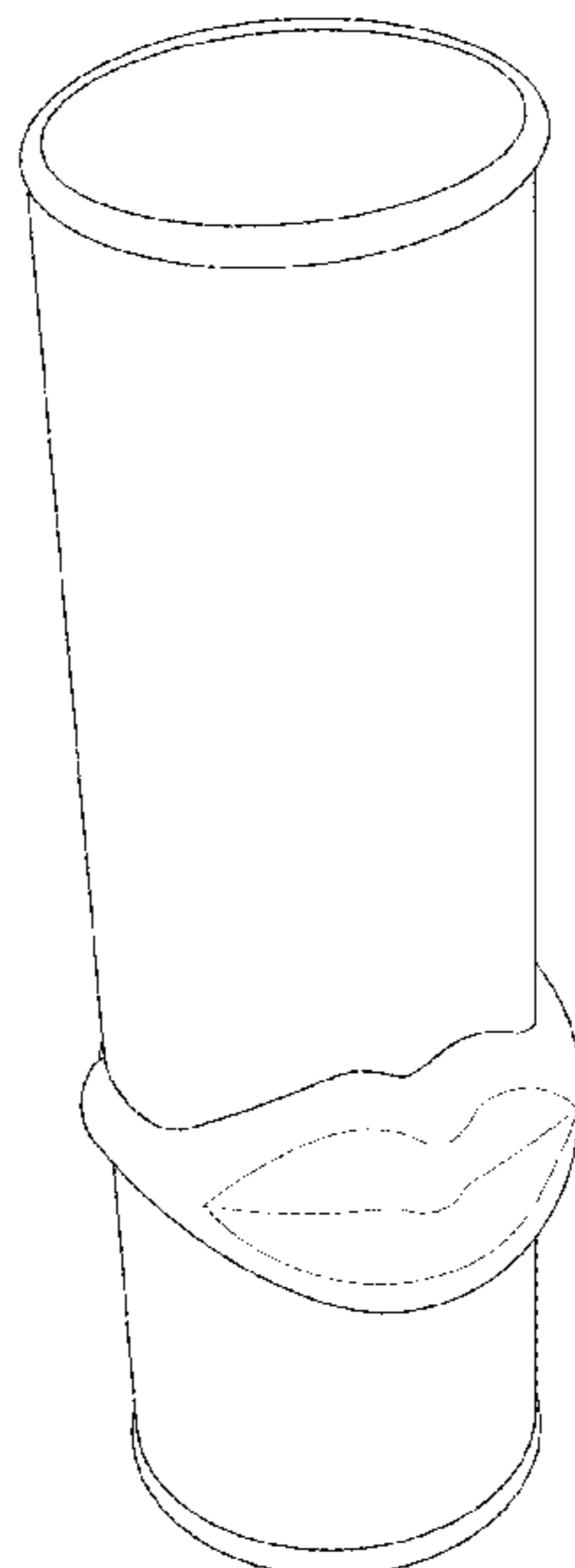
(57) **CLAIM**

The ornamental design for a lipstick case, as shown and described.

DESCRIPTION

FIG. 1 is a perspective view of a lipstick case showing the new design;
FIG. 2 is a perspective view of the lipstick case of FIG. 1, shown with the top removed to show aspects of the design not clearly visible when combined;
FIG. 3 is a front view of the lipstick case of FIG. 1;
FIG. 4 is a back view thereof;
FIG. 5 is a side view thereof;
FIG. 6 is another side view thereof;
FIG. 7 is a top view thereof; and,
FIG. 8 is a bottom view thereof.

1 Claim, 8 Drawing Sheets



(56)

References Cited

OTHER PUBLICATIONS

Pat McGrath Lipstick Collection, World of Kelly Claman, published on Oct. 4, 2017, retrieved on Jun. 9, 2021, retrieved from the Internet URL: <https://www.worldofkellyclaman.com/post/2017/10/04/pat-mcgrath-lipstick-collection>.*

Salvador Dali Makeup and Perfume _ Sudden Chic, published on Oct. 13, 2020, retrieved on Jun. 9, 2021, retrieved from the Internet URL: <https://www.suddenchic.com/salvador-dali-makeup-perfume/>.*

* cited by examiner

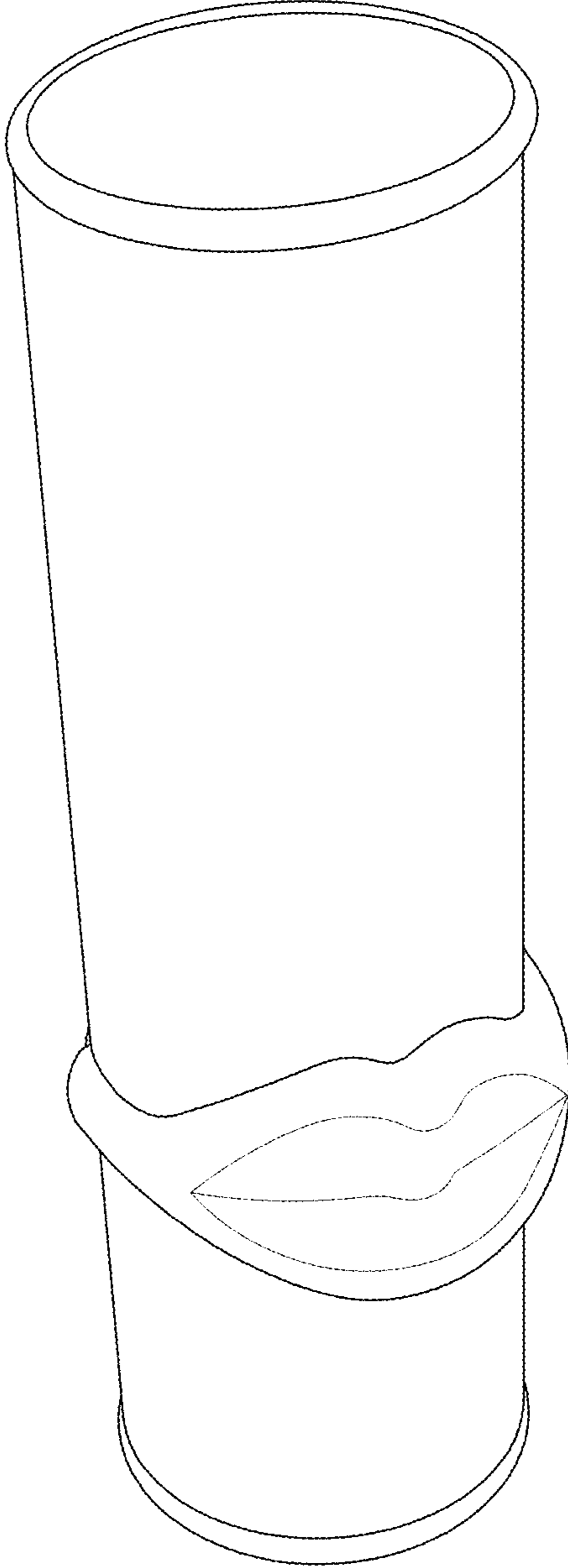


FIG.1

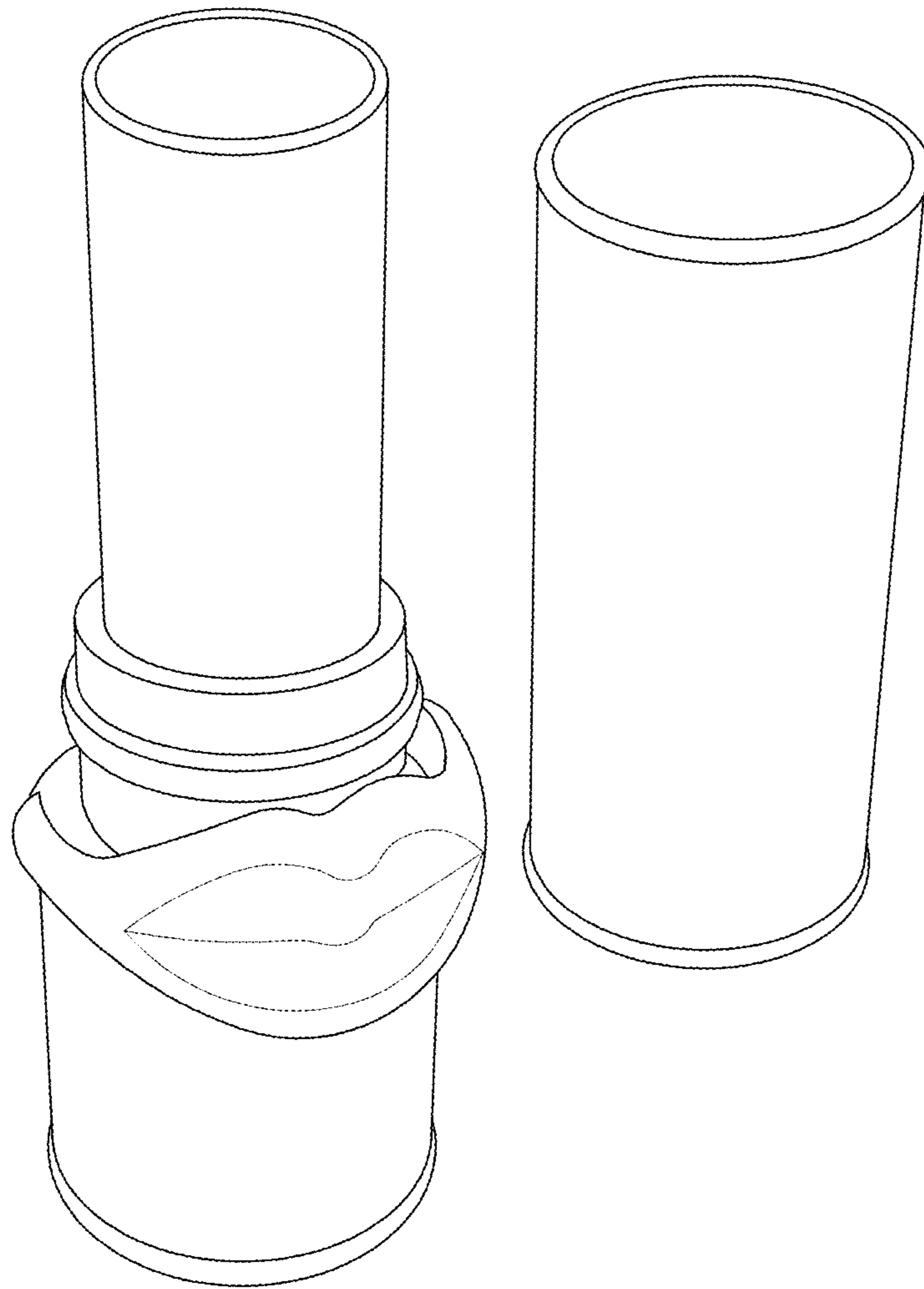


FIG. 2

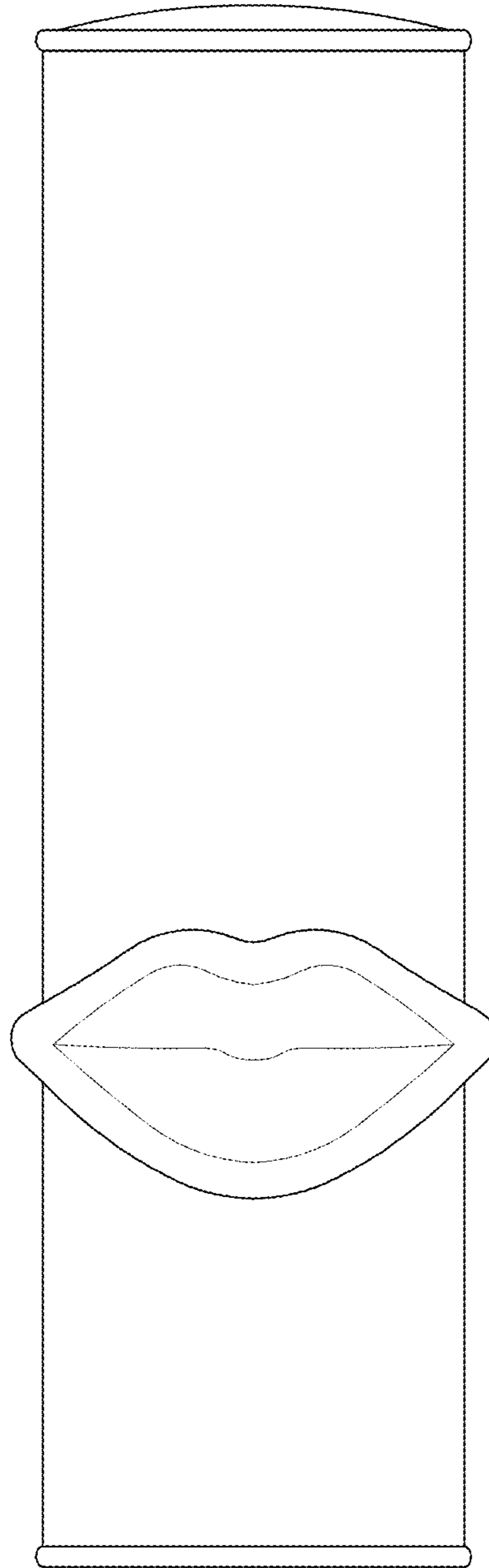


FIG. 3

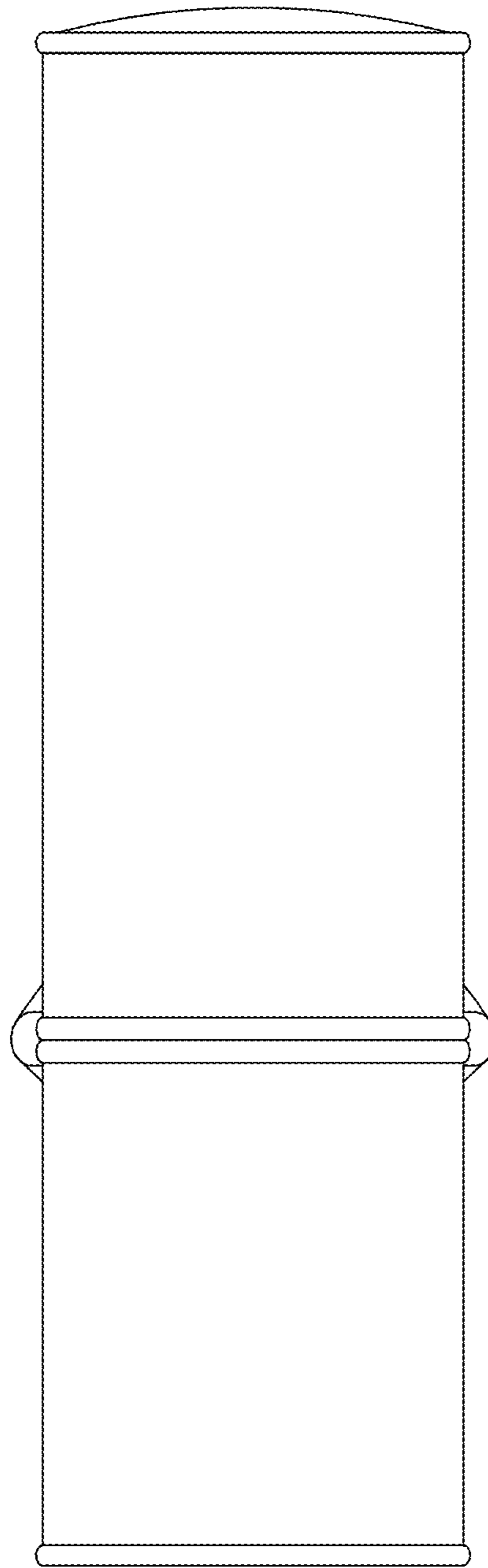


FIG. 4

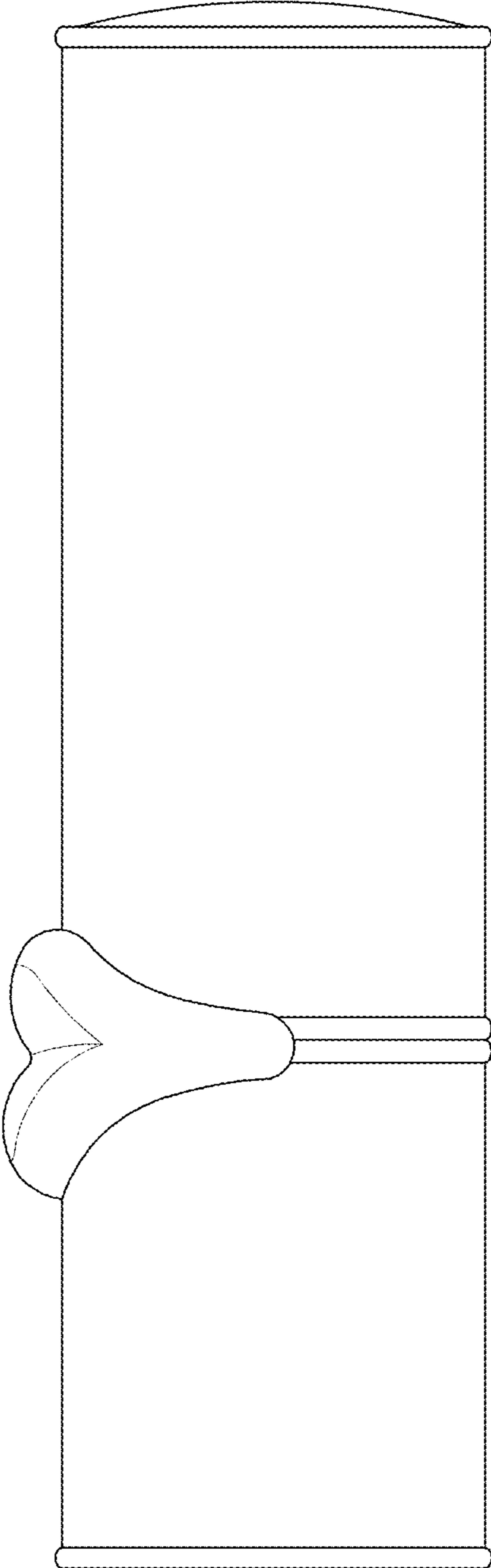


FIG. 5

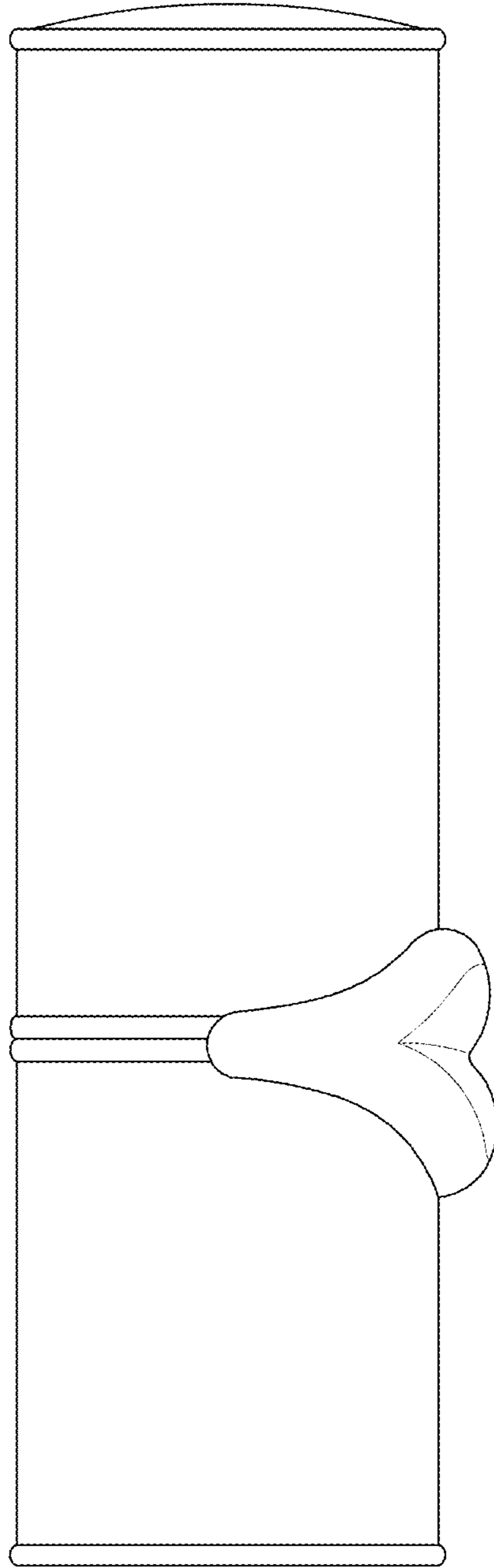


FIG. 6

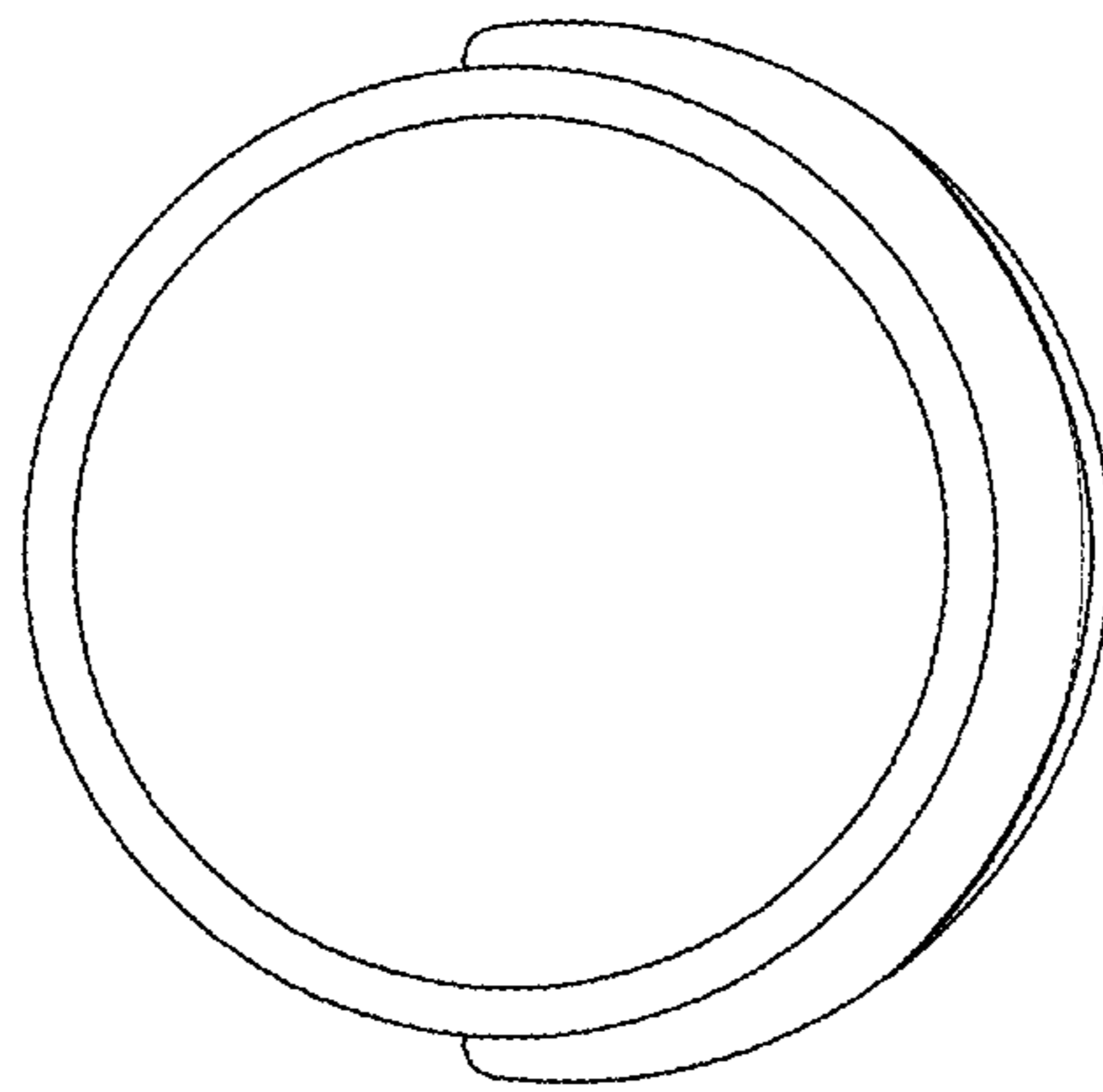


FIG. 7

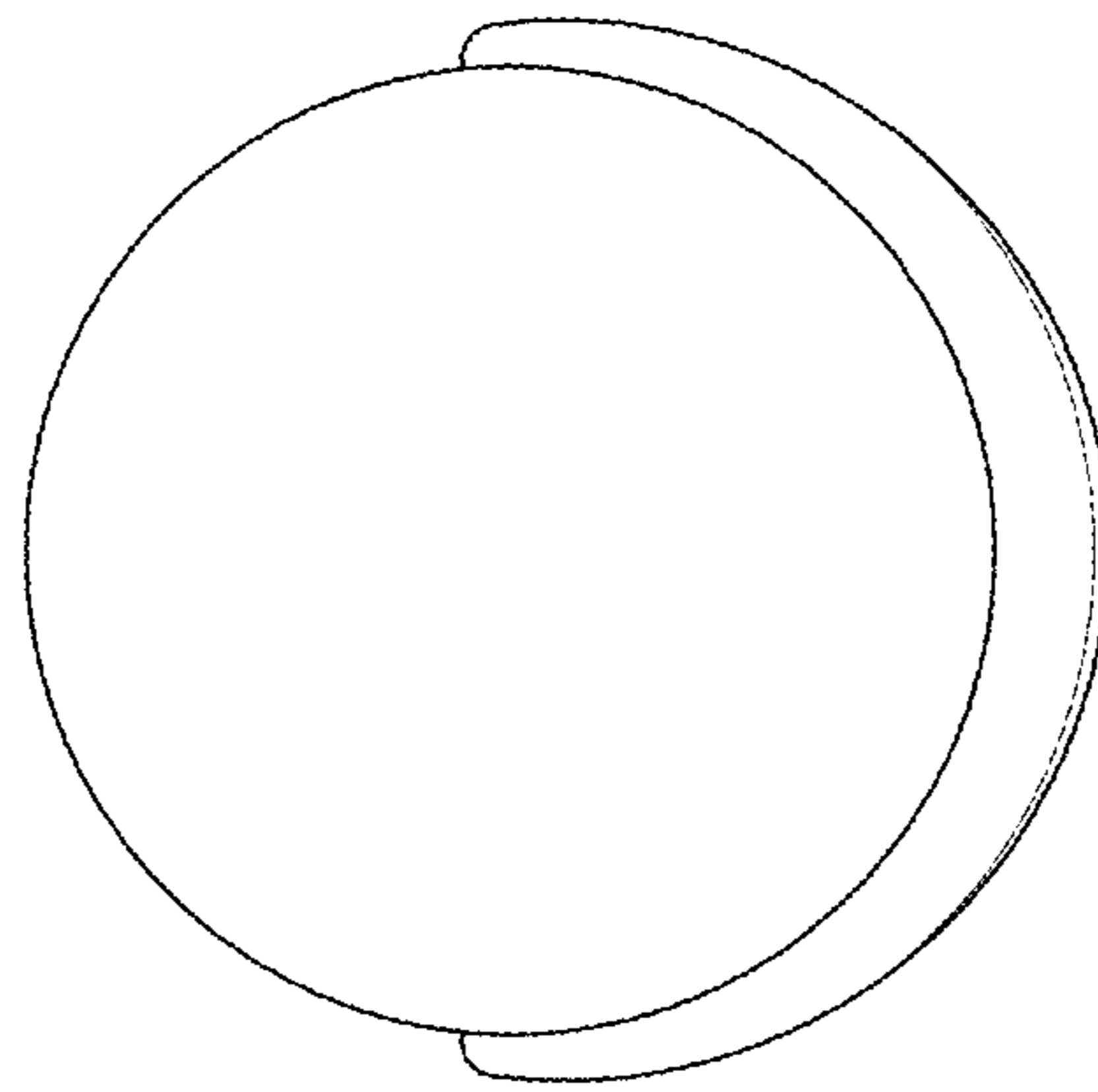


FIG. 8