



US00D987902S

(12) **United States Design Patent** (10) **Patent No.:** **US D987,902 S**
Lewis (45) **Date of Patent:** **** May 30, 2023**

(54) **FLOSS PICK**

(71) Applicant: **Floss Boss LLC**, Decatur, IL (US)
(72) Inventor: **Amanda J. Lewis**, Decatur, IL (US)
(73) Assignee: **Floss Boss LLC**, Dallas, TX (US)
(**) Term: **15 Years**

(21) Appl. No.: **29/783,688**

(22) Filed: **May 14, 2021**

(51) **LOC (14) Cl.** **28-03**

(52) **U.S. Cl.**
USPC **D28/66**

(58) **Field of Classification Search**
USPC D24/133, 152, 176, 231; D28/7, 9, 65,
D28/66, 68, 99; D17/20
CPC A61C 3/00; A61C 15/00; A61C 15/04;
A61C 15/041; A61C 15/043; A61C
15/046; A61C 15/048

See application file for complete search history.

(56) **References Cited**

U.S. PATENT DOCUMENTS

D460,583 S *	7/2002	Antler	D28/65
D532,159 S *	11/2006	Anlter	D28/66
D535,440 S *	1/2007	Getgey	D28/65
D665,131 S *	8/2012	Nanda	D28/66
D671,268 S *	11/2012	Nanda	D28/68
D671,685 S *	11/2012	Bow	D28/66
D716,866 S *	11/2014	Chappo	D17/20
D725,311 S *	3/2015	Turco	D28/66
D838,911 S *	1/2019	Wong	D28/68
D943,212 S *	2/2022	Chodorow	D28/66
D943,831 S *	2/2022	Ehrlich de Bruyn	D28/68
D966,614 S *	10/2022	Tang	D28/66
2004/0079384 A1 *	4/2004	Lai	A61C 15/048 132/322

OTHER PUBLICATIONS

Lewie Floss Coin, posted Oct. 13, 2021 [online], [retrieved Nov. 8, 2022]. Retrieved from internet, <https://www.amazon.com/Lewie-Floss-Coin-Toughness-Travel-Friendly/dp/B09JDWL4SS?th=1> (Year: 2021).*
Listerine Ultraclean Access Flosser, earliest review date Aug. 27, 2021 [online], [retrieved Nov. 8, 2022]. Retrieved from internet, <https://www.amazon.com/Listerine-Ultraclean-Disposable-Flosser-Flavored/dp/B00N5XRYTE/?th=1> (Year: 2021).*
Flossers for Adults , posted Aug. 10, 2021 [online], [retrieved Nov. 8, 2022]. Retrieved from internet, <https://www.amazon.com/Reusable-Unflavored-Colorful-Interdental-Toothpick/dp/B09C8HYXSK/?th=1> (Year: 2021).*

* cited by examiner

Primary Examiner — Alison M Ofstun
Assistant Examiner — Evin Franklin George Ershock
(74) *Attorney, Agent, or Firm* — Thompson Coburn LLP

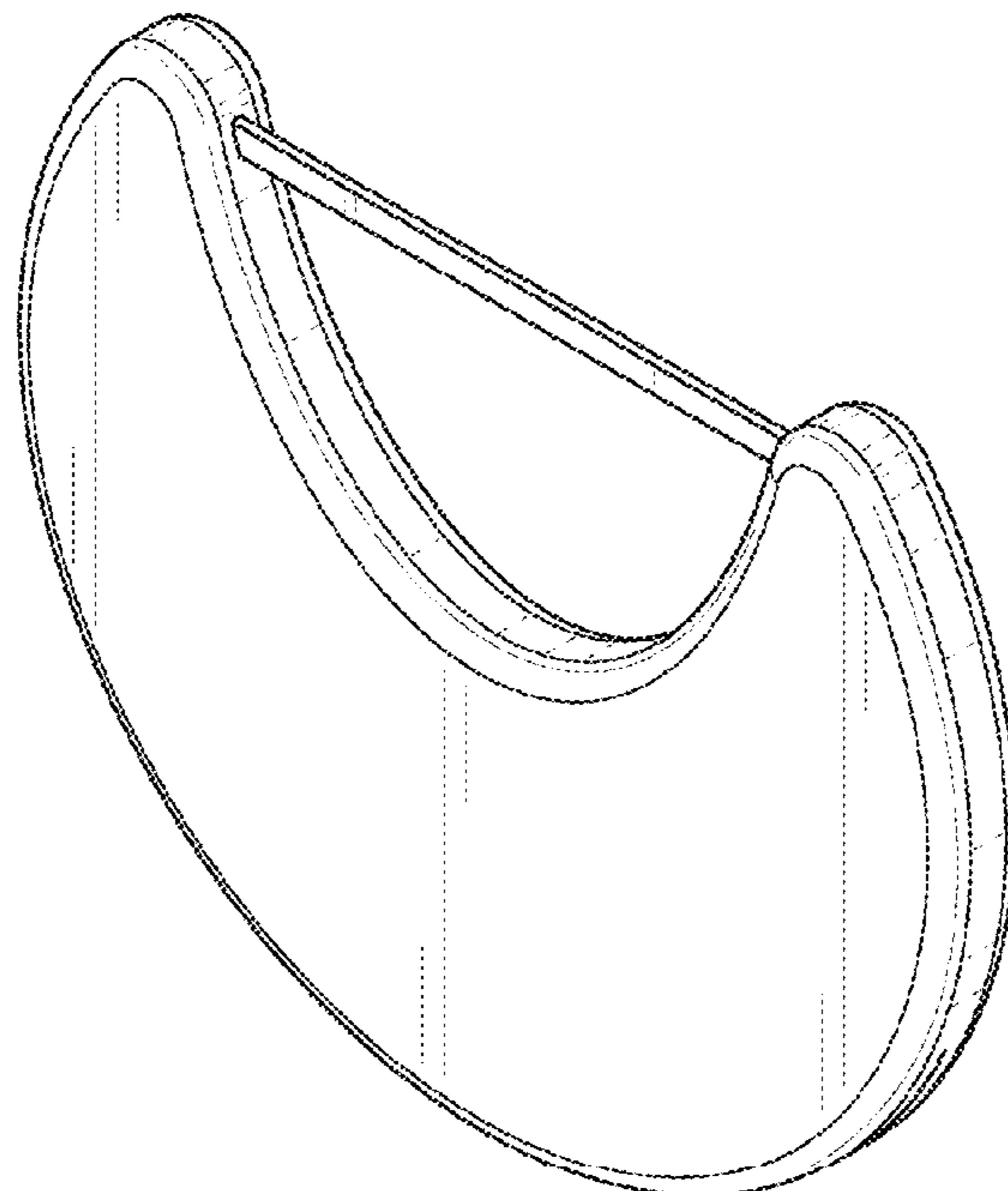
(57) **CLAIM**

The ornamental design for a floss pick, as shown and described.

DESCRIPTION

FIG. 1 is a perspective view of the floss pick of my new design;
FIG. 2 is a front view thereof (the rear view being identical thereto);
FIG. 3 is a left side view thereof (the right side view being identical thereto);
FIG. 4 is a top view thereof; and,
FIG. 5 is a bottom view thereof.

1 Claim, 3 Drawing Sheets



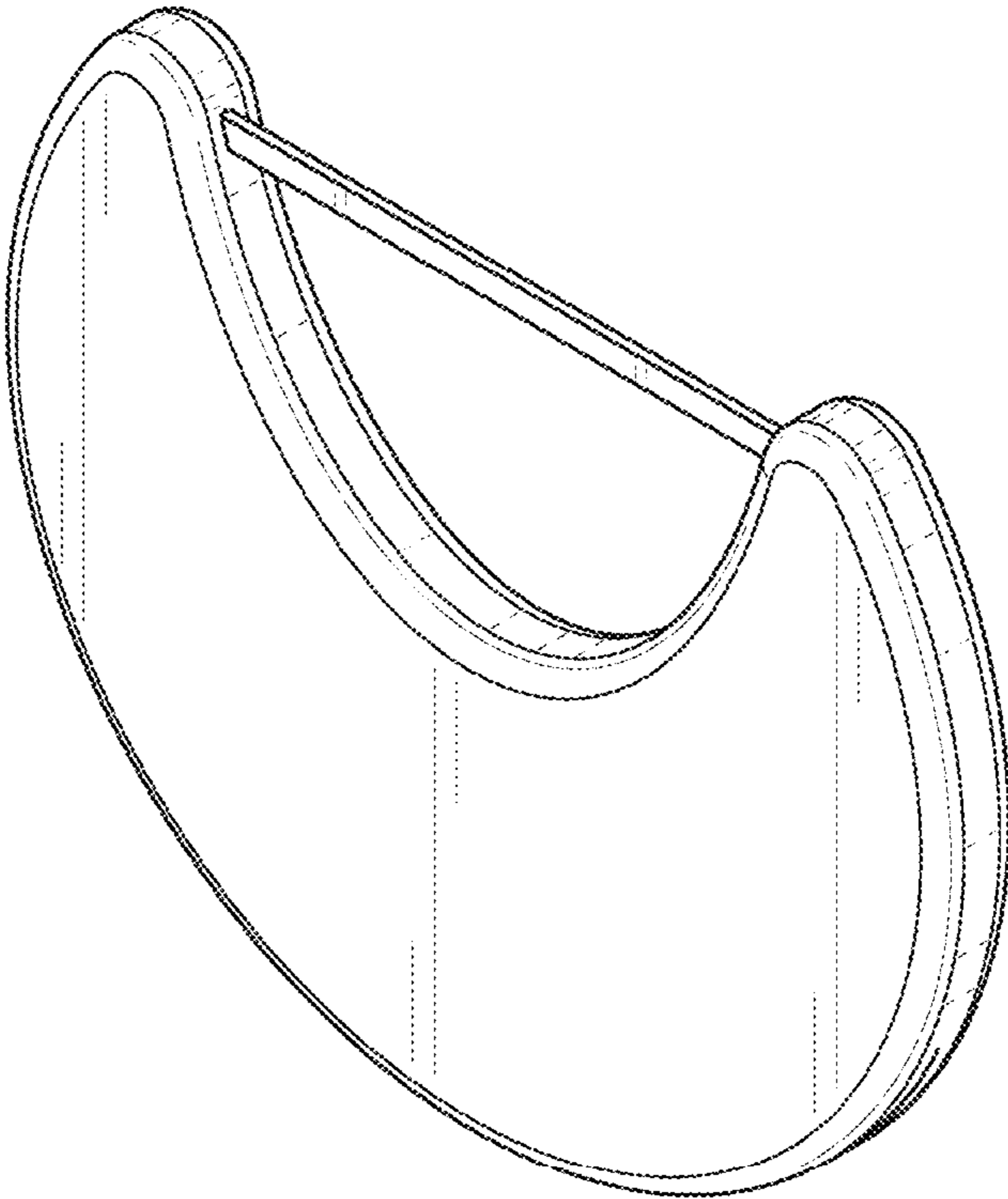


FIG. 1

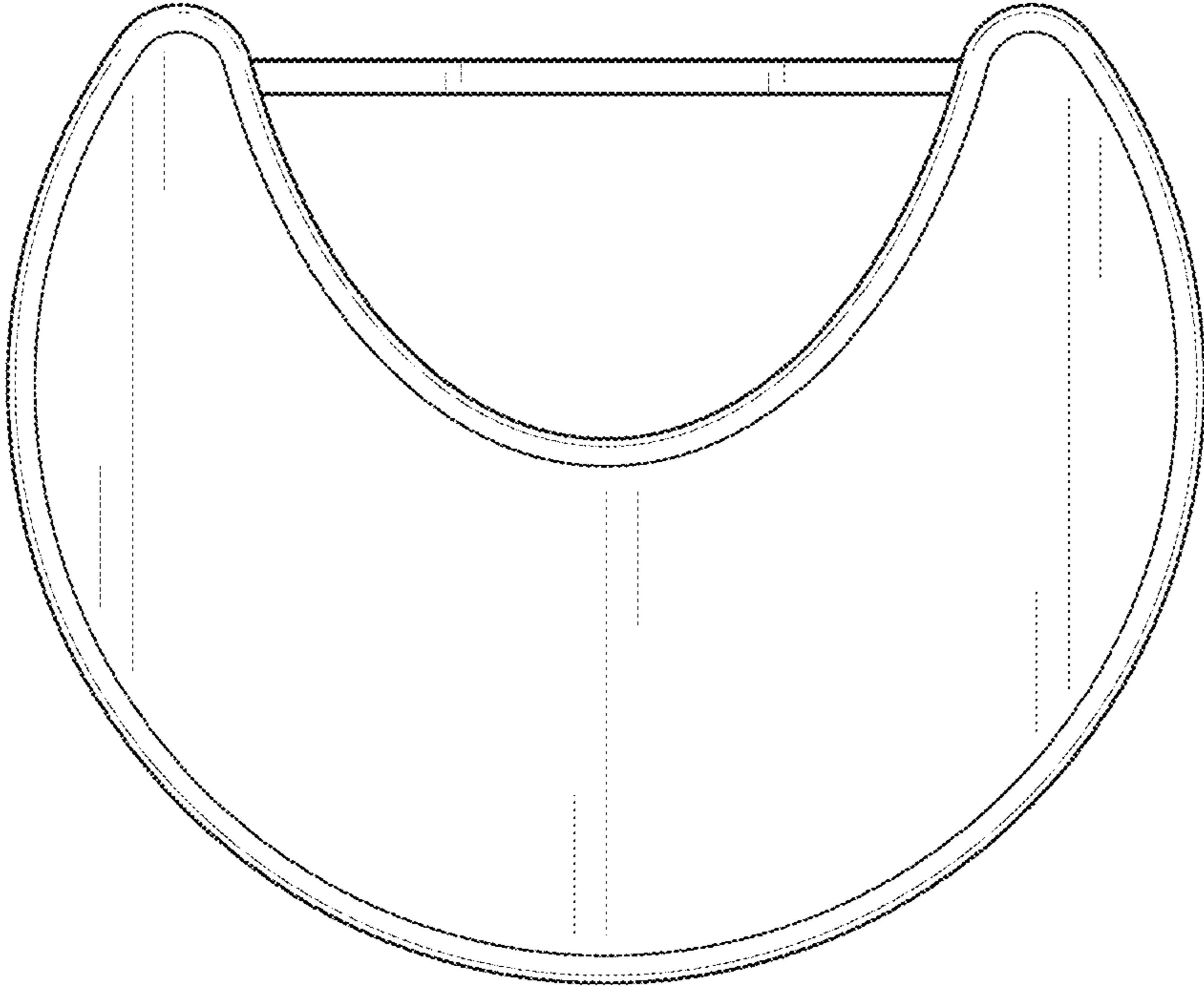


FIG. 2

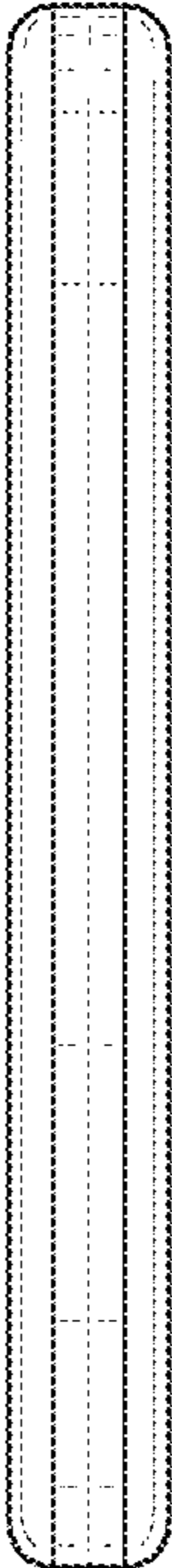


FIG. 3

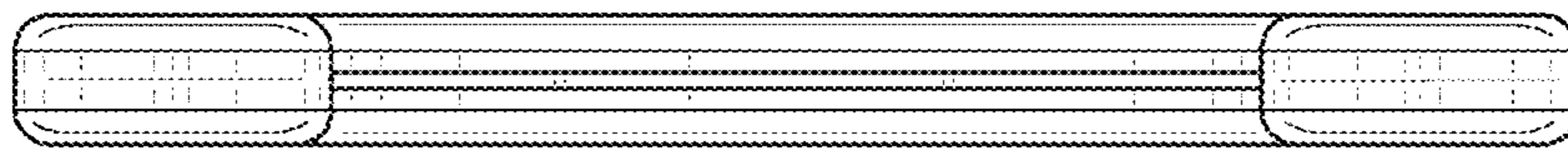


FIG. 4

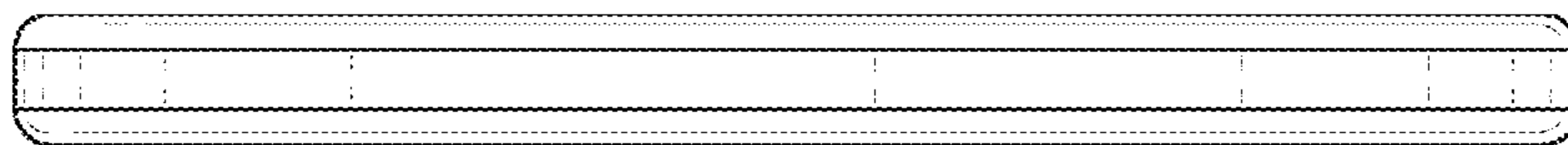


FIG. 5