



US00D987901S

(12) **United States Design Patent**  
**Lowsky**

(10) **Patent No.:** **US D987,901 S**  
(45) **Date of Patent:** **\*\* May 30, 2023**

- (54) **CHEWABLE TOOTH PICK**
- (71) Applicant: **ARK Therapeutic Services, Inc.**,  
Columbia, SC (US)
- (72) Inventor: **Rebecca E. Lowsky**, Columbia, SC  
(US)
- (73) Assignee: **ARK Therapeutic Services, Inc.**,  
Columbia, SC (US)
- (\*\*) Term: **15 Years**
- (21) Appl. No.: **29/743,349**
- (22) Filed: **Jul. 21, 2020**
- (51) **LOC (14) Cl.** ..... **28-03**
- (52) **U.S. Cl.**  
USPC ..... **D28/65**
- (58) **Field of Classification Search**  
USPC ..... D28/65, 68, 59; D7/635; 433/141;  
D24/147, 149, 152  
CPC ... A61C 15/02; A61C 15/046; A46B 15/0071;  
A46B 2200/108  
See application file for complete search history.

- D523,992 S \* 6/2006 Le ..... A61C 15/02  
D28/65
- D714,495 S \* 9/2014 Miyawaki ..... A61C 15/02  
D28/65
- D835,846 S \* 12/2018 Wong ..... D28/65
- D933,897 S \* 10/2021 Quebatay ..... D28/65

**OTHER PUBLICATIONS**

Instagram post by arktherapeutic, published at [https://www.instagram.com/p/CAnlMAZn\\_Ou/](https://www.instagram.com/p/CAnlMAZn_Ou/) on May 25, 2020.

\* cited by examiner

*Primary Examiner* — Gino Colan

(74) *Attorney, Agent, or Firm* — Nelson Mullins Riley & Scarborough LLP

(57) **CLAIM**

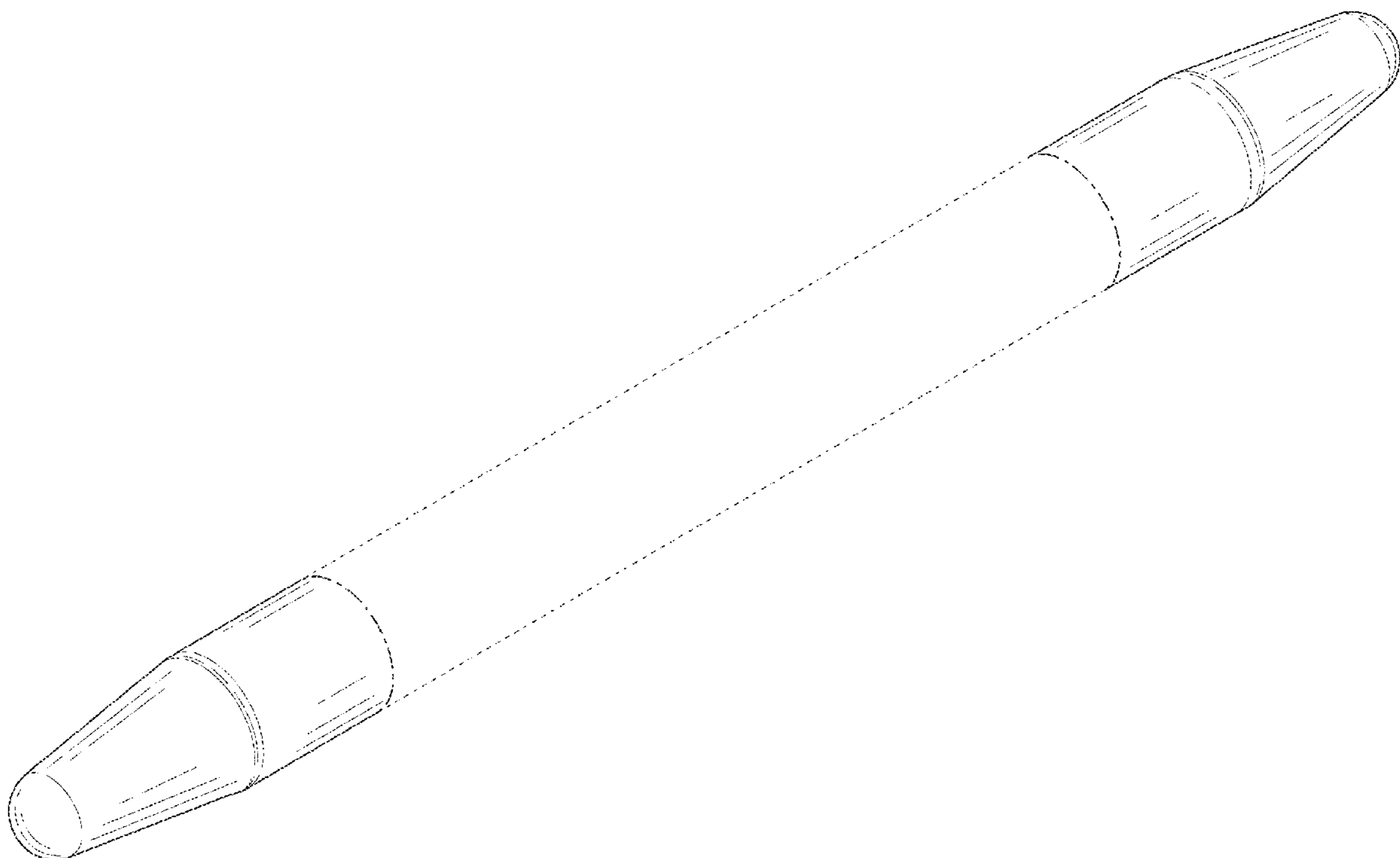
The ornamental design for a chewable tooth pick, as shown and described.

**DESCRIPTION**

FIG. 1 is a front perspective view of a chewable tooth pick showing my new design;  
 FIG. 2 is a top side plan view thereof;  
 FIG. 3 is a bottom side plan view thereof;  
 FIG. 4 is a right side elevation view thereof, with the left side elevational view being identical thereto; and,  
 FIG. 5 is a front side elevational view thereof, with the back side elevational view being identical thereto.  
 The evenly spaced broken lines are for the purpose of showing portions of the chewable tooth pick and form no part of the claimed design. The dash-dot lines in the figures are for the purpose of showing boundaries of the design and form no part of the claimed design.

**1 Claim, 3 Drawing Sheets**

- (56) **References Cited**  
U.S. PATENT DOCUMENTS
- D270,100 S \* 8/1983 Hjalmarsson ..... D28/65
- D486,415 S \* 2/2004 Curtis ..... A61C 15/02  
D28/65
- 6,848,453 B2 \* 2/2005 Hampton ..... A61C 15/02  
132/321
- D507,380 S \* 7/2005 Le ..... D28/65



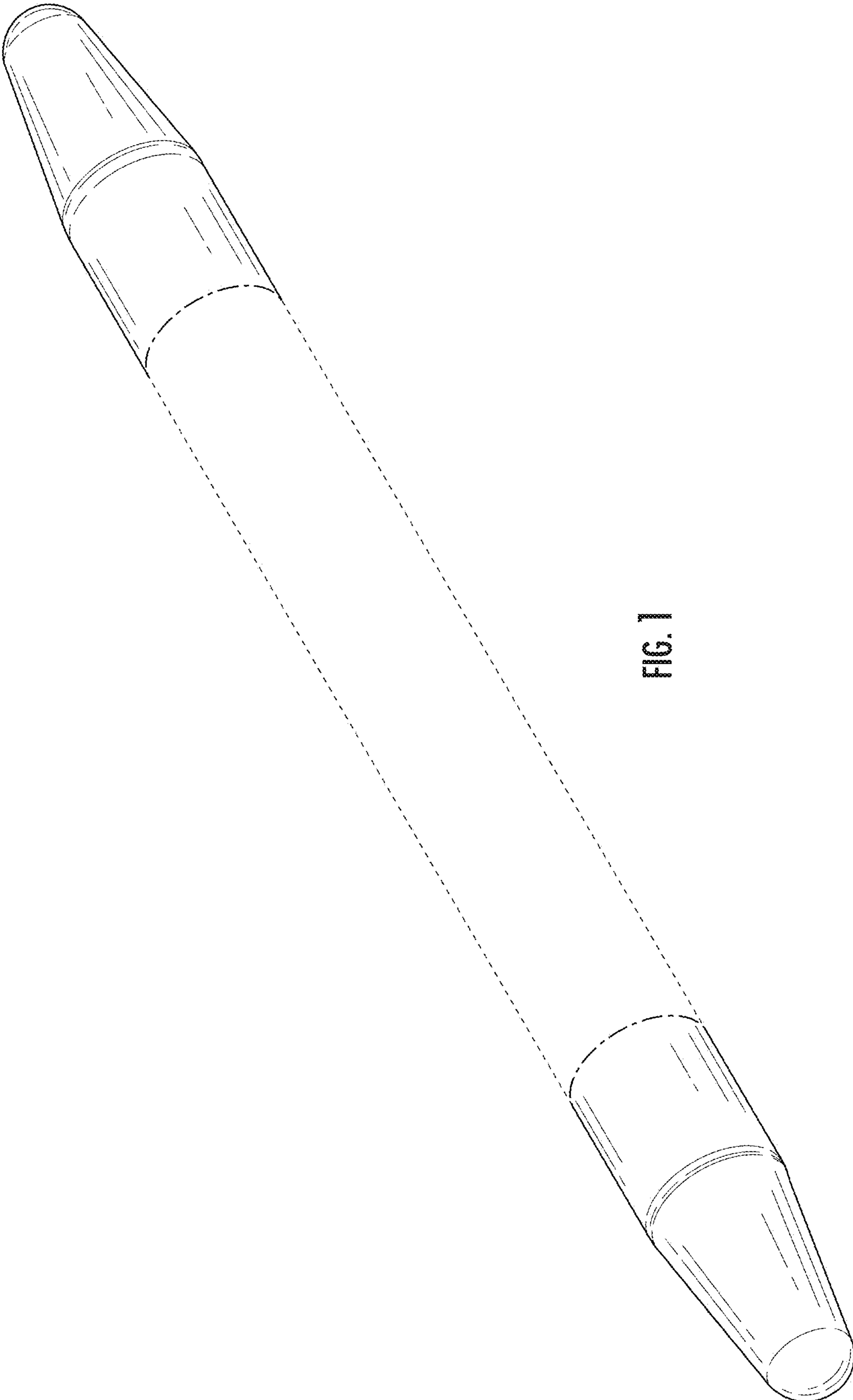


FIG. 1

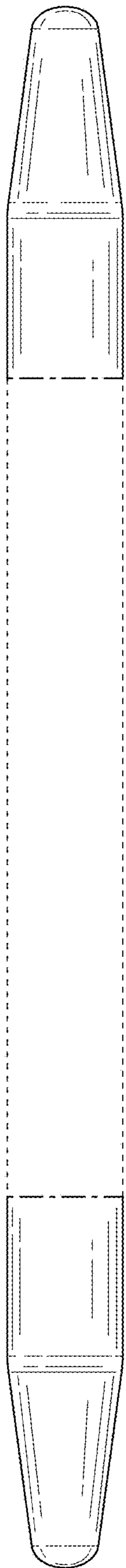


FIG. 2

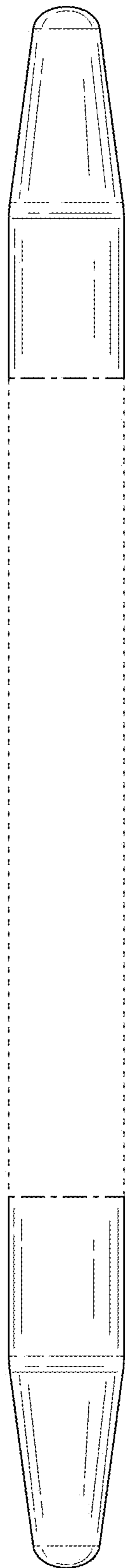


FIG. 3

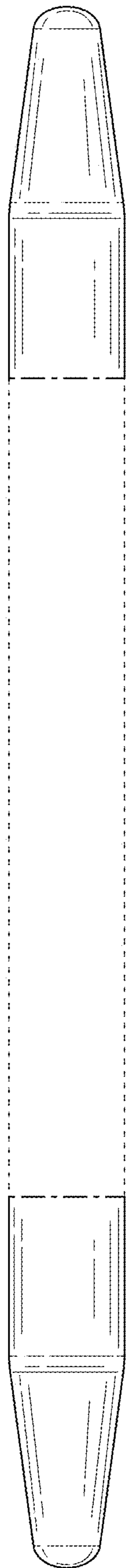


FIG. 4

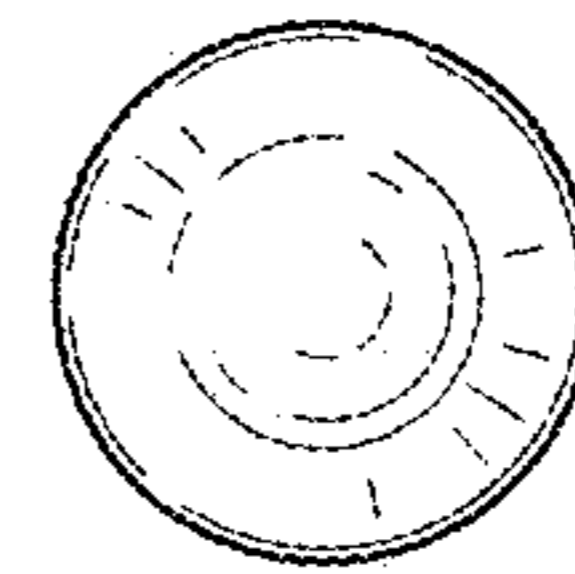


FIG. 5