



US00D987898S

(12) **United States Design Patent**  
**Ernotte**

(10) **Patent No.:** **US D987,898 S**

(45) **Date of Patent:** **\*\* May 30, 2023**

(54) **HAIR CLIPPER**

(71) Applicant: **BABYLISS FACO SRL**, Wandre (BE)

(72) Inventor: **Aubry Ernotte**, Theux (BE)

(73) Assignee: **BABYLISS FACO SRL**, Wandre (BE)

(\*\*) Term: **15 Years**

(21) Appl. No.: **35/514,453**

(22) Filed: **May 24, 2022**

(80) **Hague Agreement Data**

Int. Filing Date: **May 24, 2022**

Int. Reg. No.: **DM/221189**

Int. Reg. Date: **May 24, 2022**

Int. Reg. Pub. Date: **Jun. 17, 2022**

(30) **Foreign Application Priority Data**

Dec. 10, 2021 (EM) ..... 008794382-0010

(51) **LOC (14) Cl.** ..... **28-03**

(52) **U.S. Cl.**  
USPC ..... **D28/53**

(58) **Field of Classification Search**  
USPC ..... D28/53-54  
CPC ..... B26B 19/06-08; B26B 19/3853-3866;  
B26B 19/20-205

See application file for complete search history.

(56) **References Cited**

U.S. PATENT DOCUMENTS

D695,964 S *	12/2013	Salagnac	.....	D28/53
D698,080 S *	1/2014	Colin	.....	D28/53
D698,081 S *	1/2014	Julemont	.....	D28/53
D698,082 S *	1/2014	Colin	.....	D28/53
D767,207 S *	9/2016	Deklein	.....	D28/54
D899,690 S *	10/2020	de Belizal	.....	D28/53
D930,245 S *	9/2021	de Belizal	.....	D28/53
D944,453 S *	2/2022	Ernotte	.....	D28/53
D955,051 S *	6/2022	de Belizal	.....	D28/53

FOREIGN PATENT DOCUMENTS

EP 4108396 A1 \* 12/2022

\* cited by examiner

*Primary Examiner* — Jennifer Rivard

(57) **CLAIM**

The ornamental design for a hair clipper, as shown and described.

**DESCRIPTION**

Fig. 1.1 is a front perspective view of a hair clipper.

Fig. 1.2 is a rear view thereof.

Fig. 1.3 is a front view thereof.

Fig. 1.4 is a bottom plan thereof.

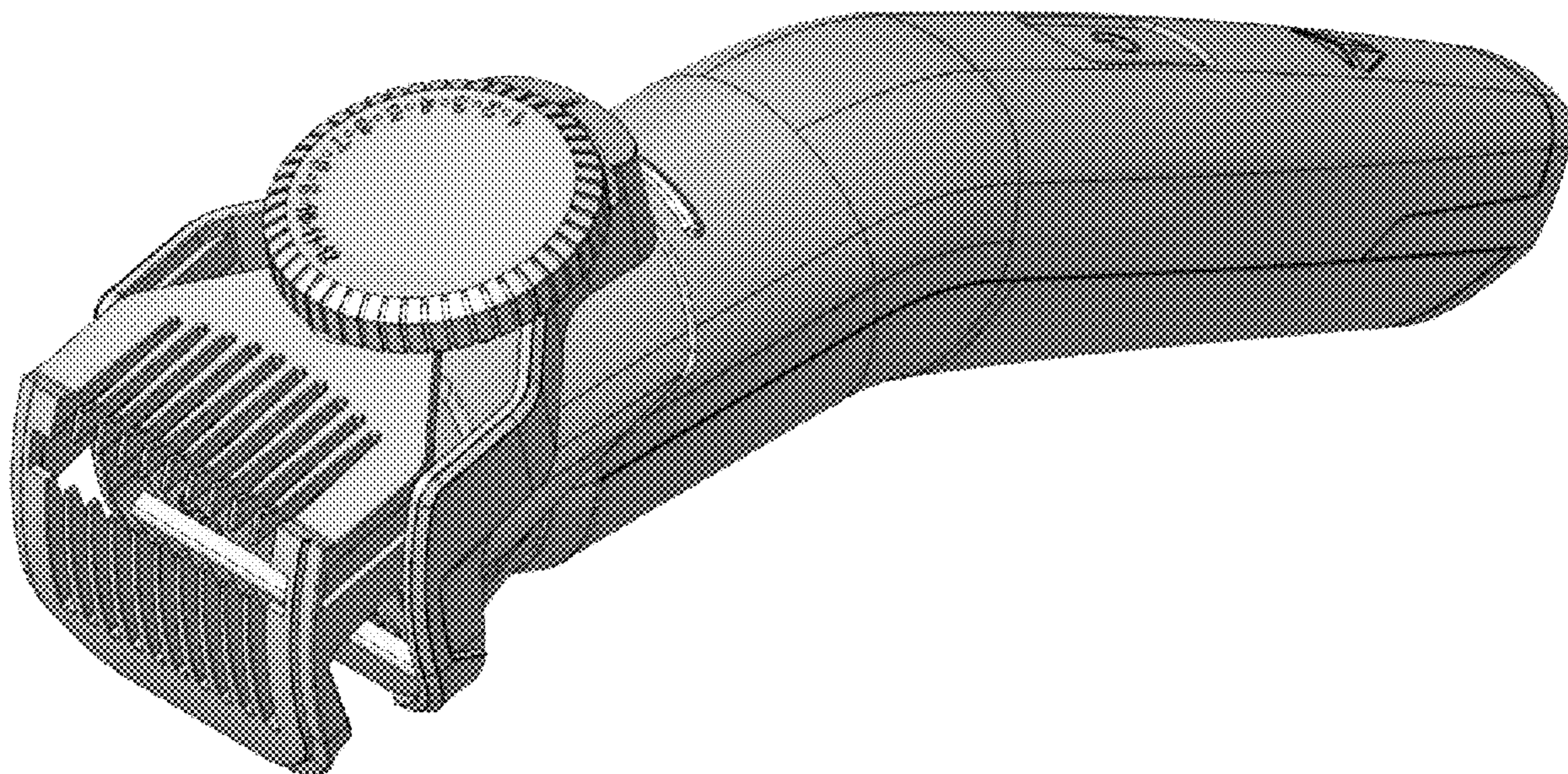
Fig. 1.5 is a top plan view thereof.

Fig. 1.6 is a right side view thereof.

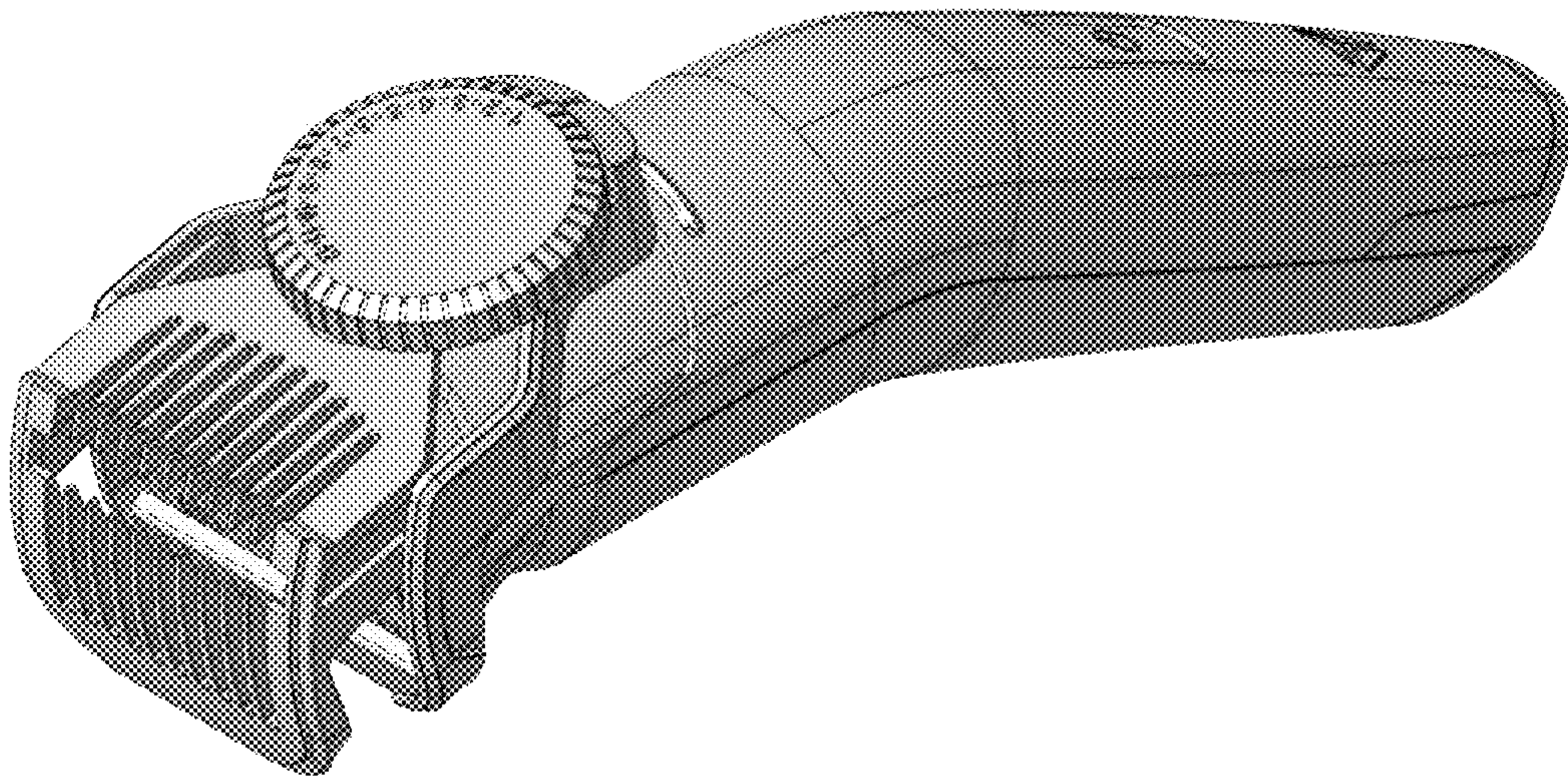
Fig. 1.7 is a rear perspective thereof.

Fig. 1.8 is a left side view thereof.

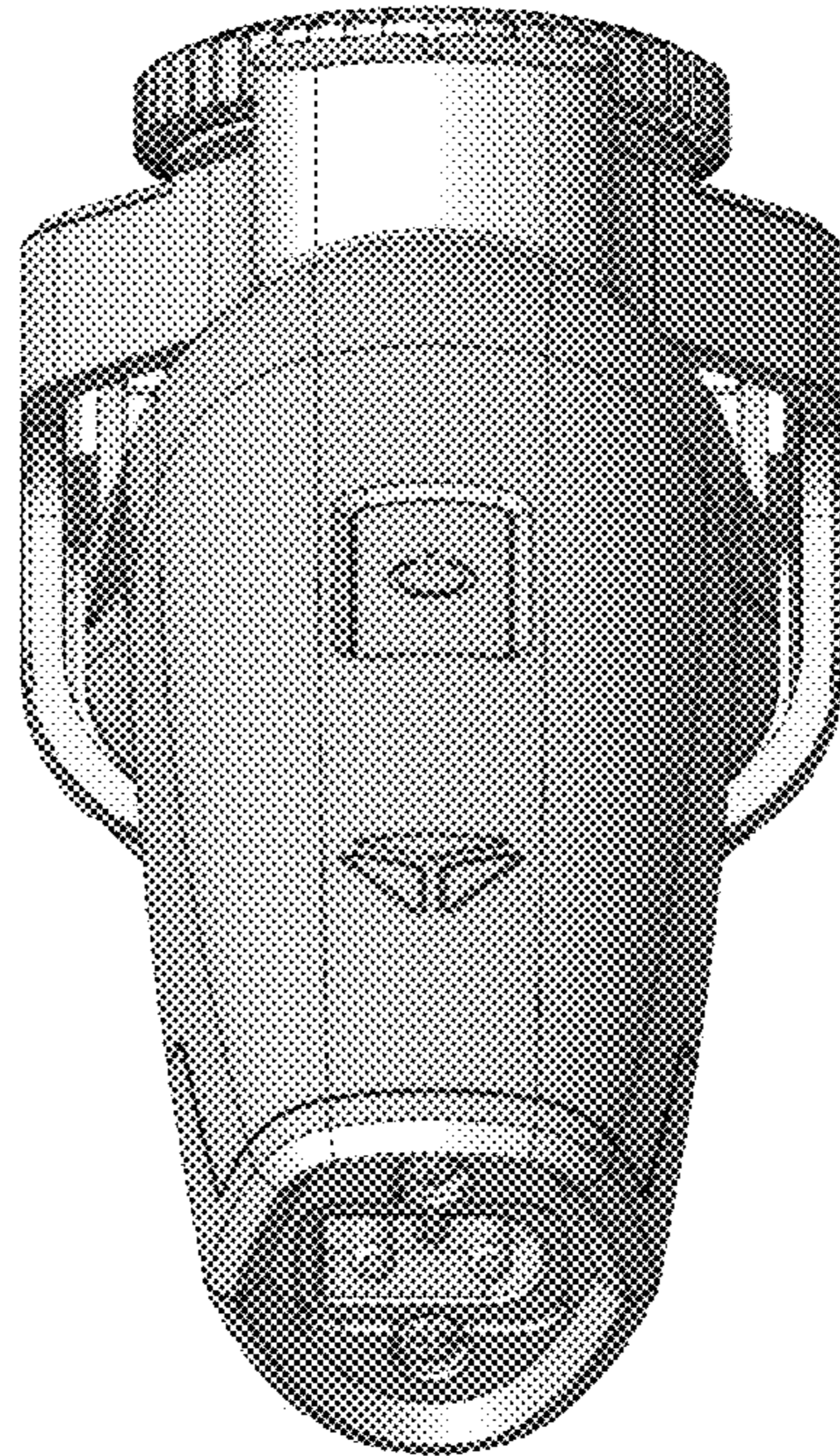
**1 Claim, 8 Drawing Sheets**



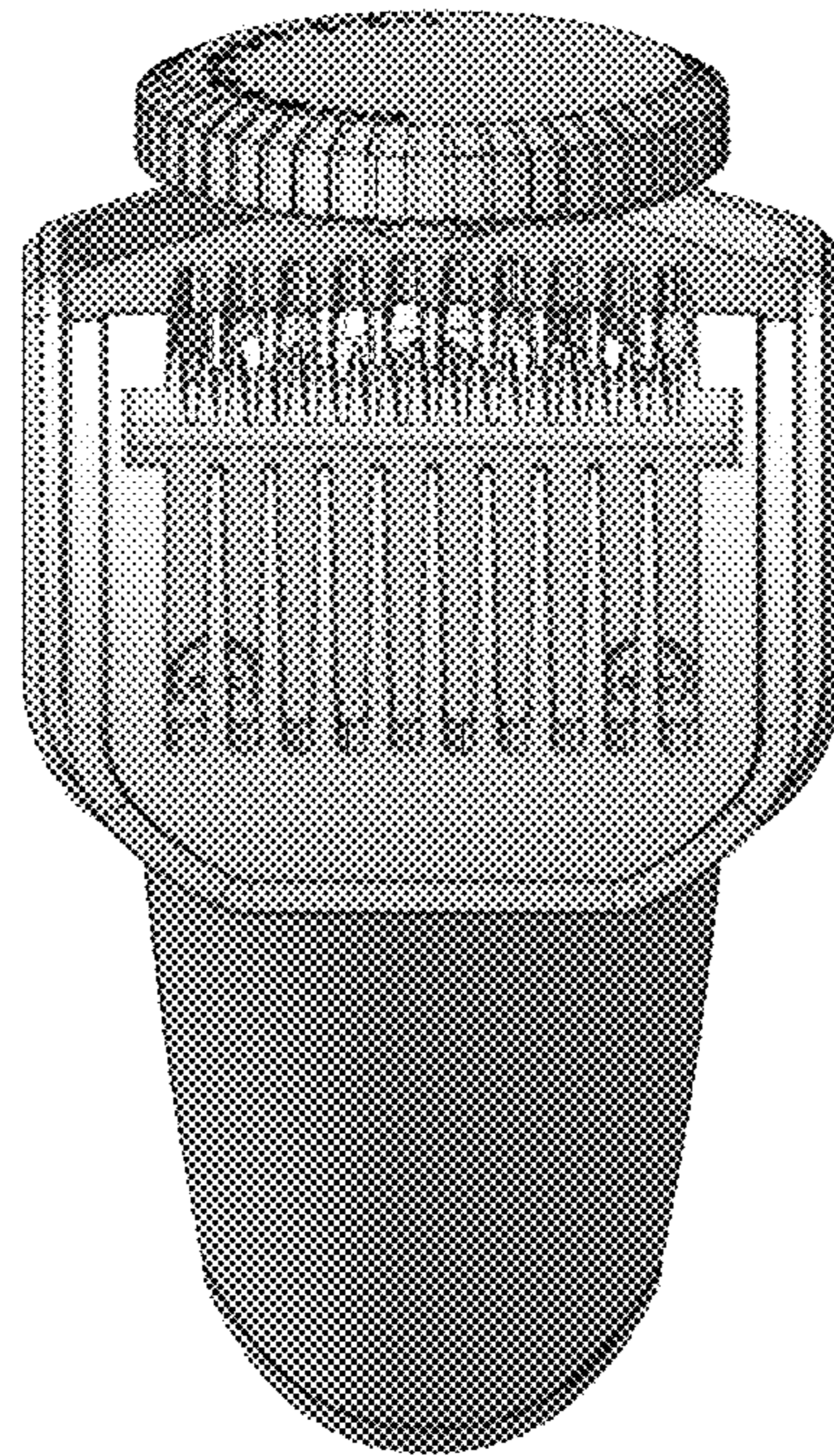
1.1



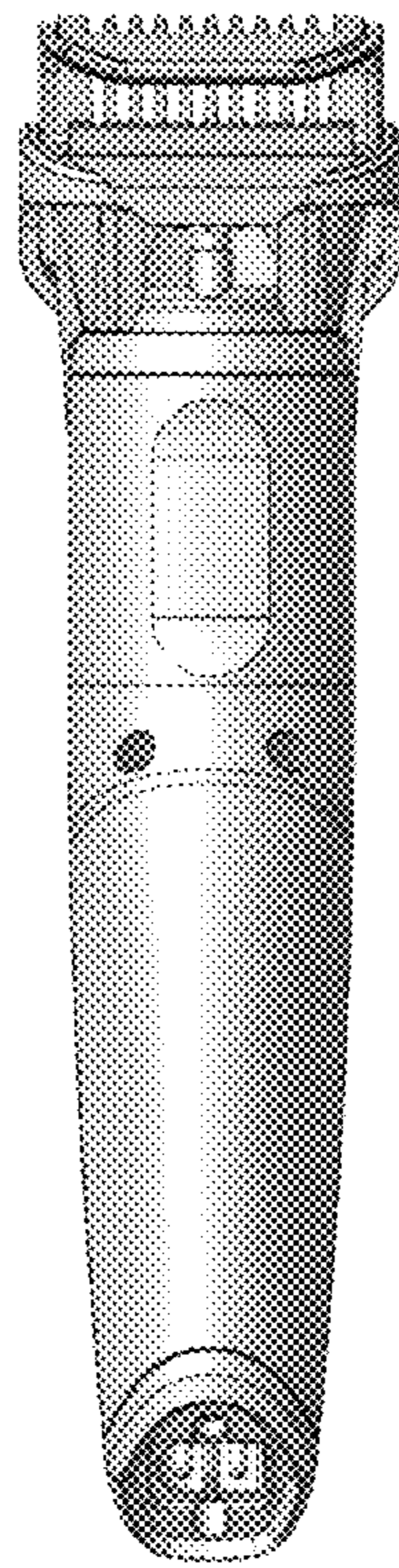
1.2



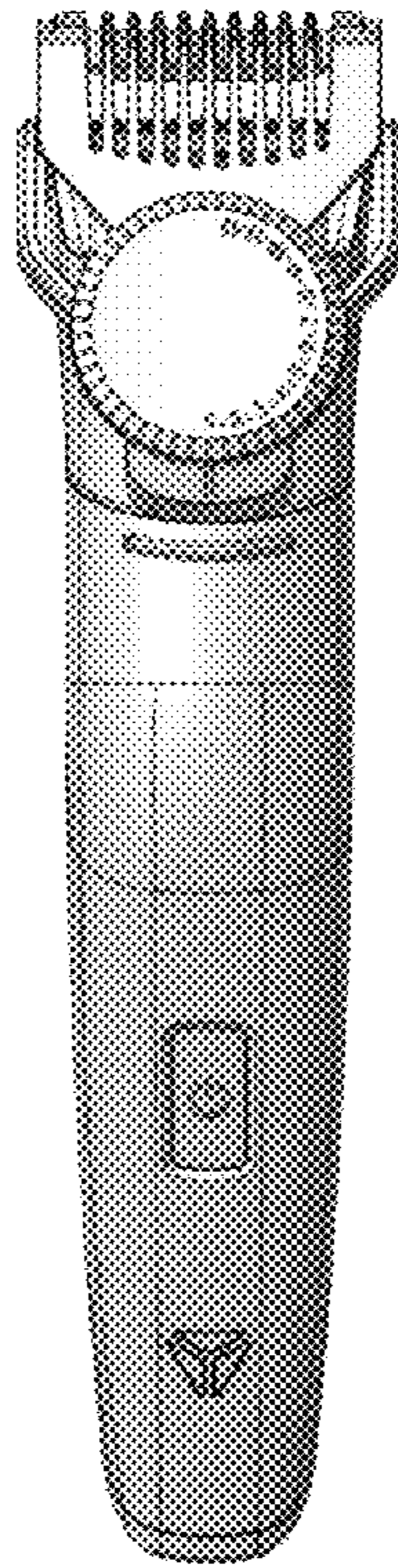
1.3



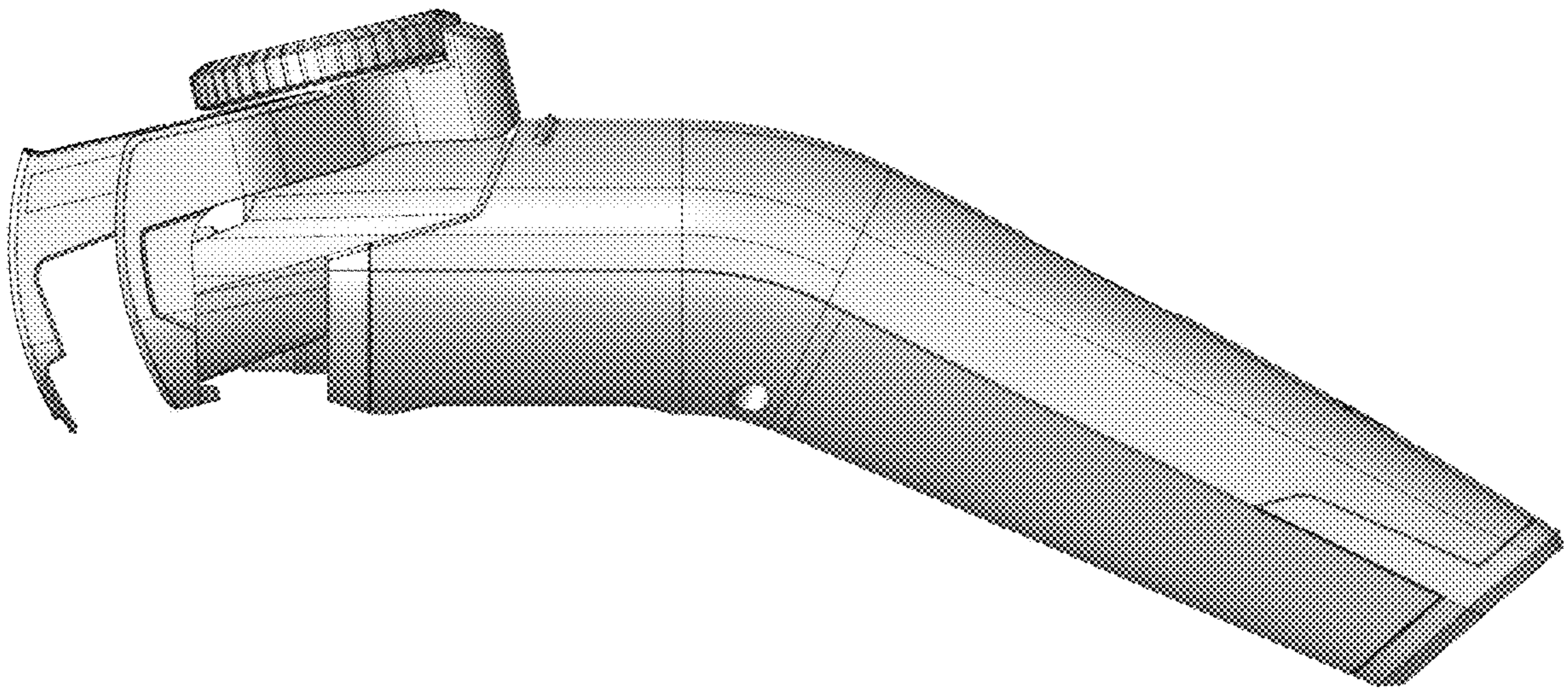
1.4



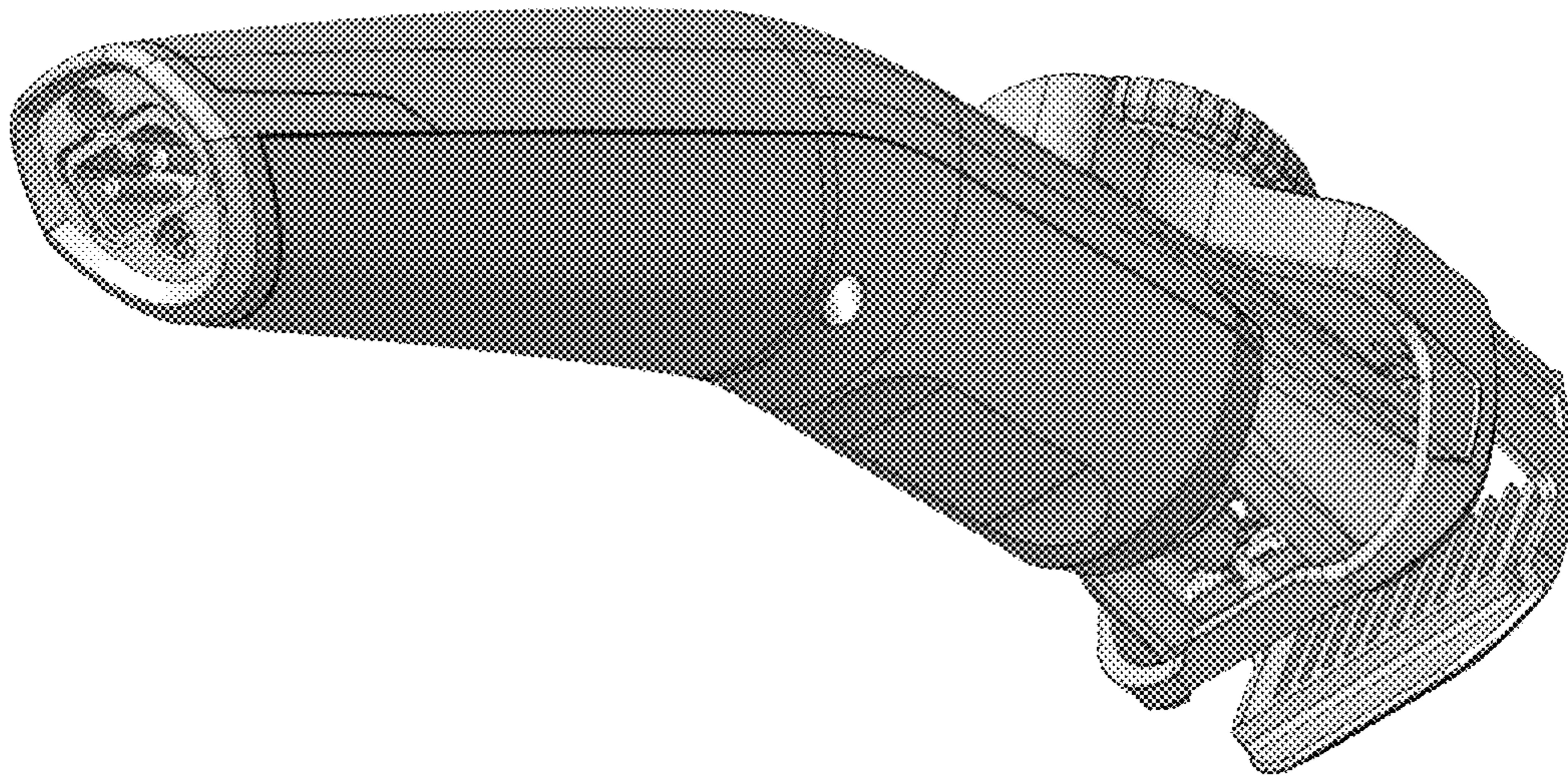
1.5



1.6



1.7





1.8

