



US00D987896S

(12) **United States Design Patent** (10) **Patent No.:** **US D987,896 S**  
**Hinds** (45) **Date of Patent:** **\*\* May 30, 2023**

(54) **HAIR STRAIGHTENING AND STYLING APPLIANCE**

(71) Applicant: **CONAIR CORPORATION**, Stamford, CT (US)

(72) Inventor: **Kristen L. Hinds**, Cos Cob, CT (US)

(73) Assignee: **Conair LLC**, Stamford, CT (US)

(\*\*) Term: **15 Years**

(21) Appl. No.: **29/760,548**

(22) Filed: **Dec. 2, 2020**

(51) **LOC (14) Cl.** ..... **28-03**

(52) **U.S. Cl.**  
USPC ..... **D28/35**

(58) **Field of Classification Search**  
USPC ..... D28/10, 35  
CPC . A45D 2/00; A45D 2/001; A45D 6/00; A45D 7/00; A45D 7/02; A45D 7/04; A45D 7/06; A45D 7/08; A45D 2001/004  
See application file for complete search history.

(56) **References Cited**

U.S. PATENT DOCUMENTS

1,105,962 A	8/1914	Carlson	
1,510,359 A	9/1924	Van Gale	
5,785,064 A	7/1998	Simpson	
5,868,146 A	2/1999	Henninger et al.	
5,957,140 A	9/1999	McGee	
6,070,596 A	6/2000	Altamore	
D489,482 S	5/2004	Cho	
D536,483 S *	2/2007	Lun	D28/35
7,243,661 B2	7/2007	Lun et al.	
7,341,064 B2	3/2008	Habibi	
7,540,289 B2	6/2009	Habibi	
D606,253 S *	12/2009	Leung	D28/35
D627,926 S *	11/2010	Nenadich	D28/35

D643,974 S *	8/2011	Renault	D28/35
8,013,274 B2	9/2011	Suzuki et al.	
D649,288 S *	11/2011	Koehler	D28/35
D654,621 S *	2/2012	Grienay	D28/35
8,267,098 B2	9/2012	Glucksman	
8,455,796 B2	6/2013	Leung	
D859,740 S *	9/2019	Grienay	D28/35
2008/0283081 A1	11/2008	Habibi	
2009/0159093 A1 *	6/2009	Yu	A45D 1/04 132/229
2011/0232673 A1	9/2011	Crawford	
2014/0166038 A1 *	6/2014	Leung	A45D 2/001 132/221
2014/0332023 A1	11/2014	Kaizuka	
2015/0289620 A1 *	10/2015	Nuzzo	A45D 2/02 132/211
2022/0000239 A1 *	1/2022	Wojczak	A45D 2/001

\* cited by examiner

*Primary Examiner* — Alison M Ofstun

(74) *Attorney, Agent, or Firm* — Grogan, Tuccillo & Vanderleeden, LLP

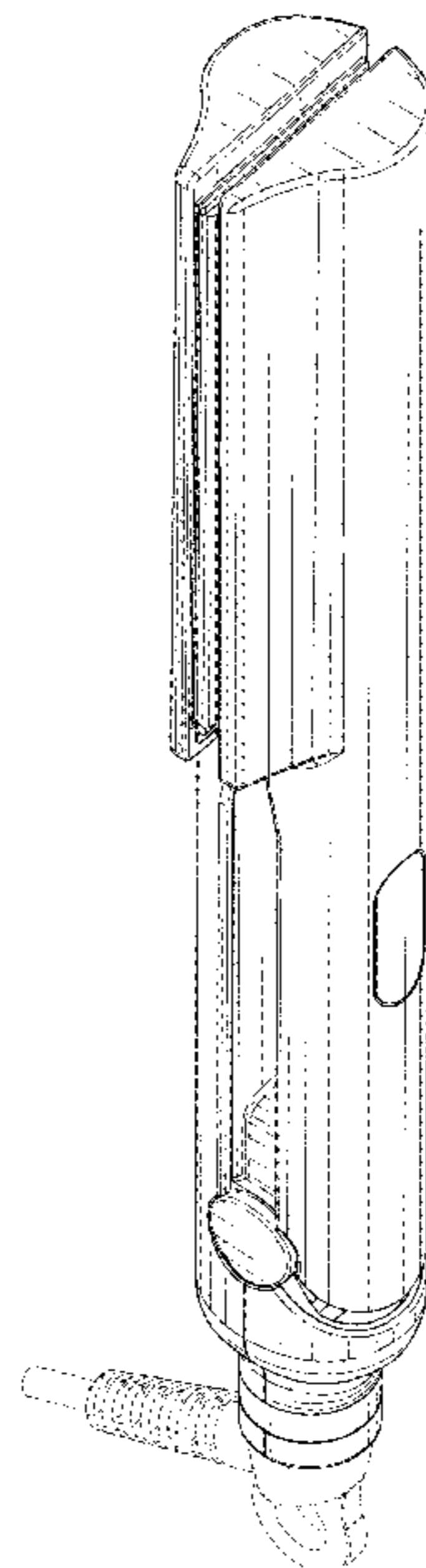
(57) **CLAIM**

The ornamental design for a hair straightening and styling appliance, as shown and described.

**DESCRIPTION**

FIG. 1 is a front perspective view of a hair straightening and styling appliance showing a new design; FIG. 2 is a rear perspective view thereof; FIG. 3 is a left side elevational view thereof; FIG. 4 is a right side elevational view thereof; FIG. 5 is a bottom plan view thereof; FIG. 6 is a top plan view thereof; FIG. 7 is a front elevational view thereof; and, FIG. 8 is a rear elevational view thereof. The broken lines in the figures illustrate portions of the article which form no part of the claimed design.

**1 Claim, 5 Drawing Sheets**



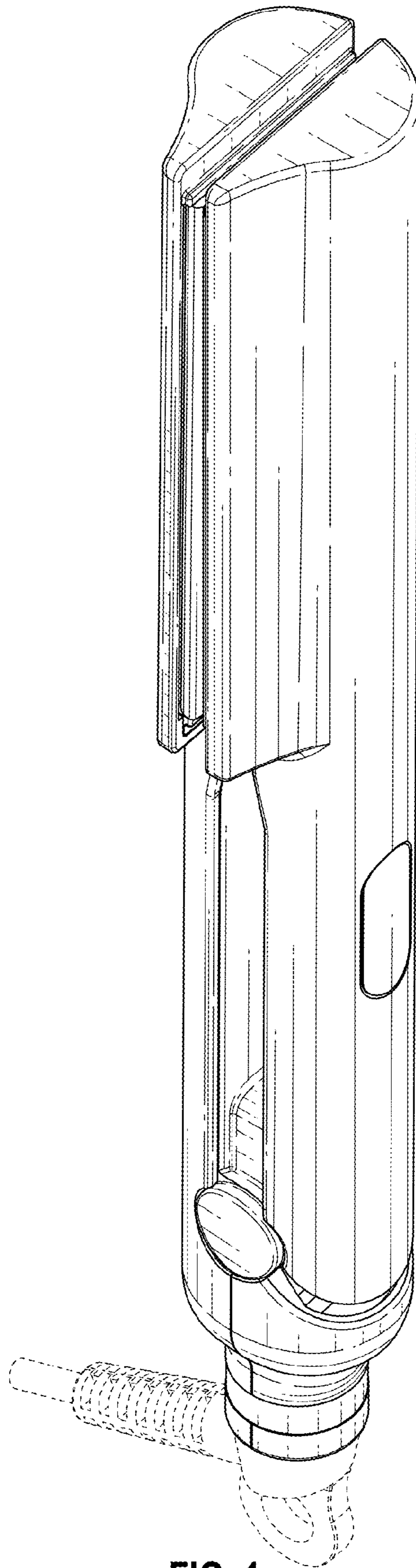


FIG. 1

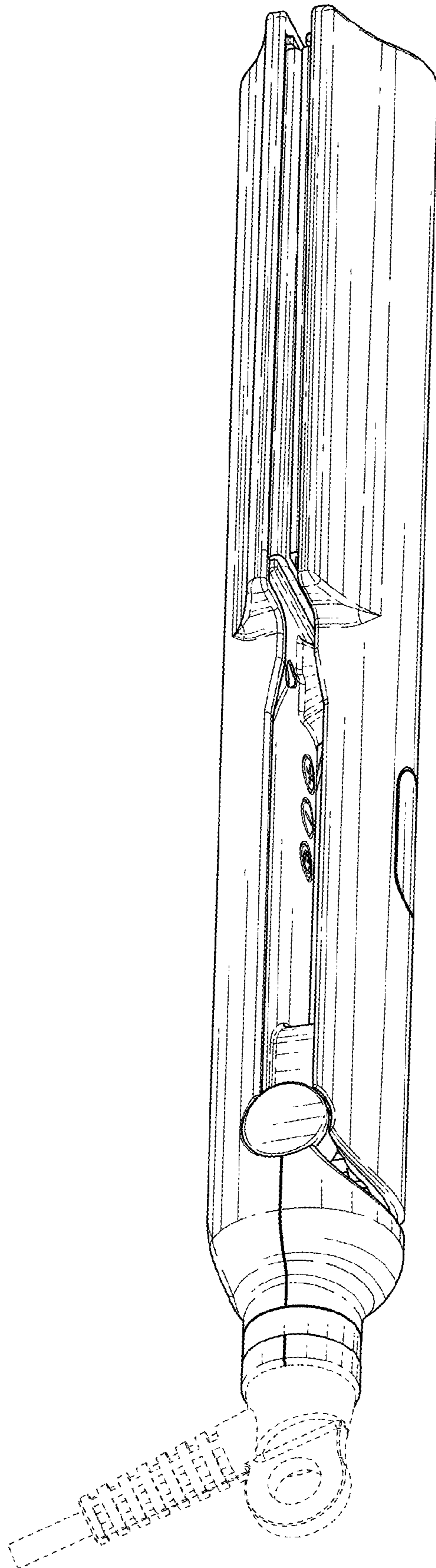


FIG. 2

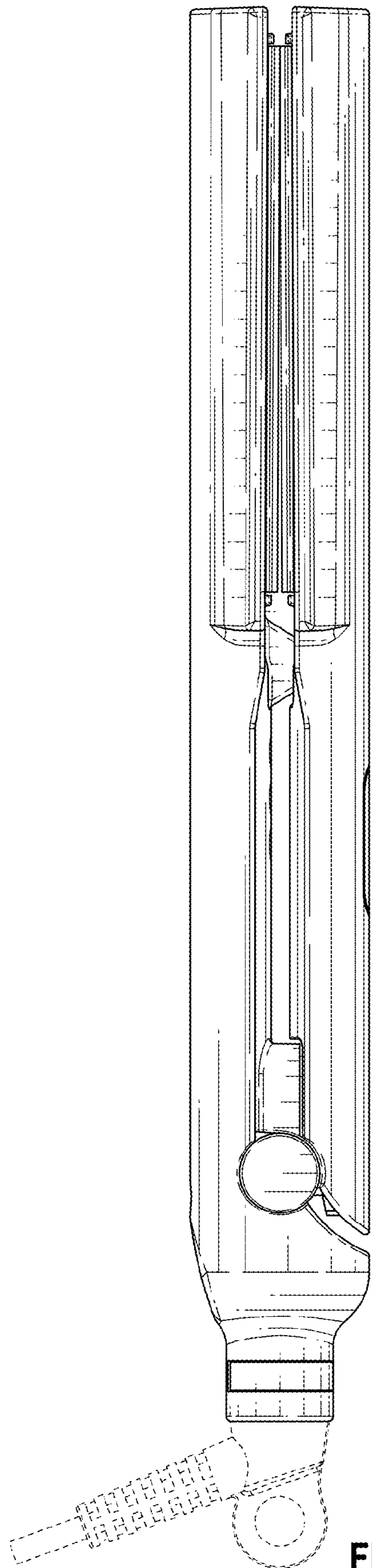


FIG. 3

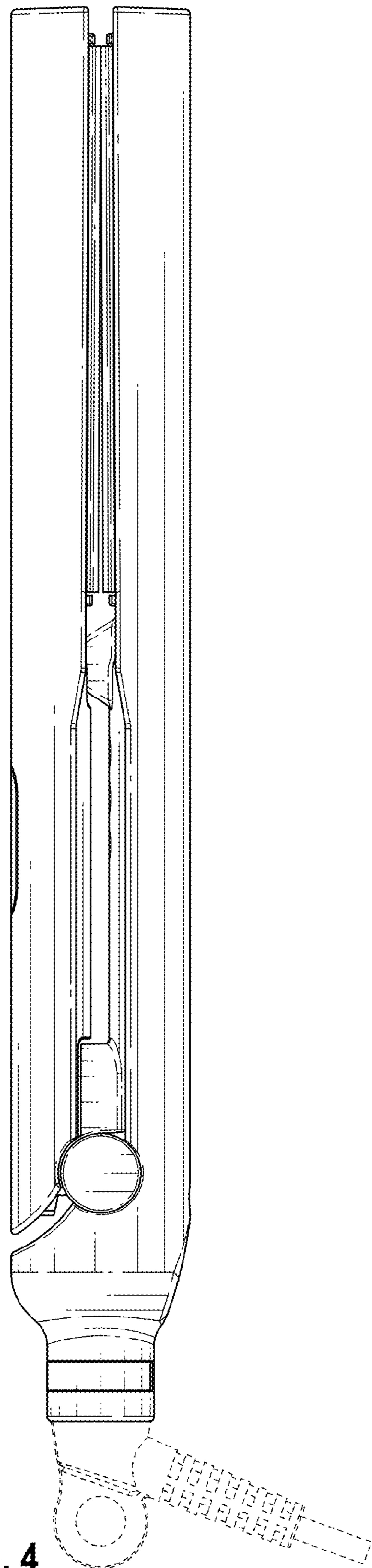


FIG. 4

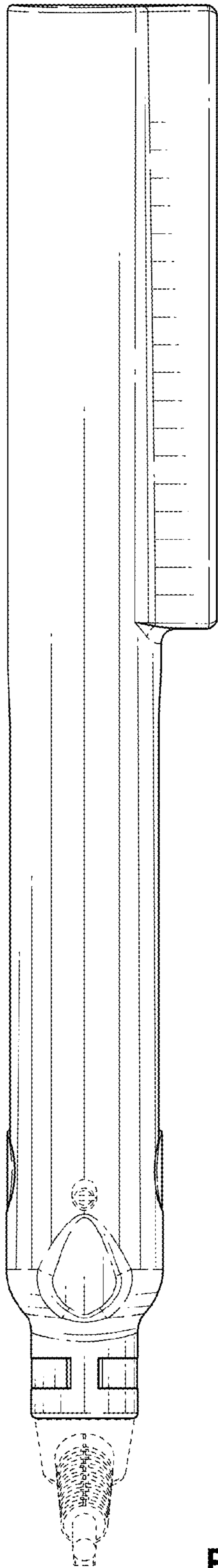


FIG. 5

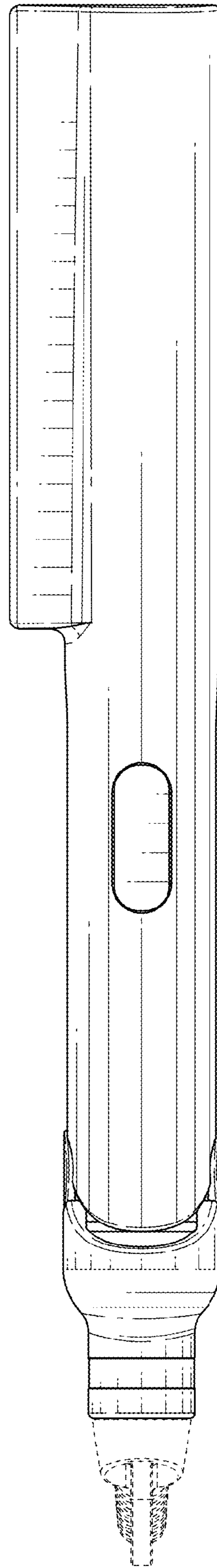


FIG. 6

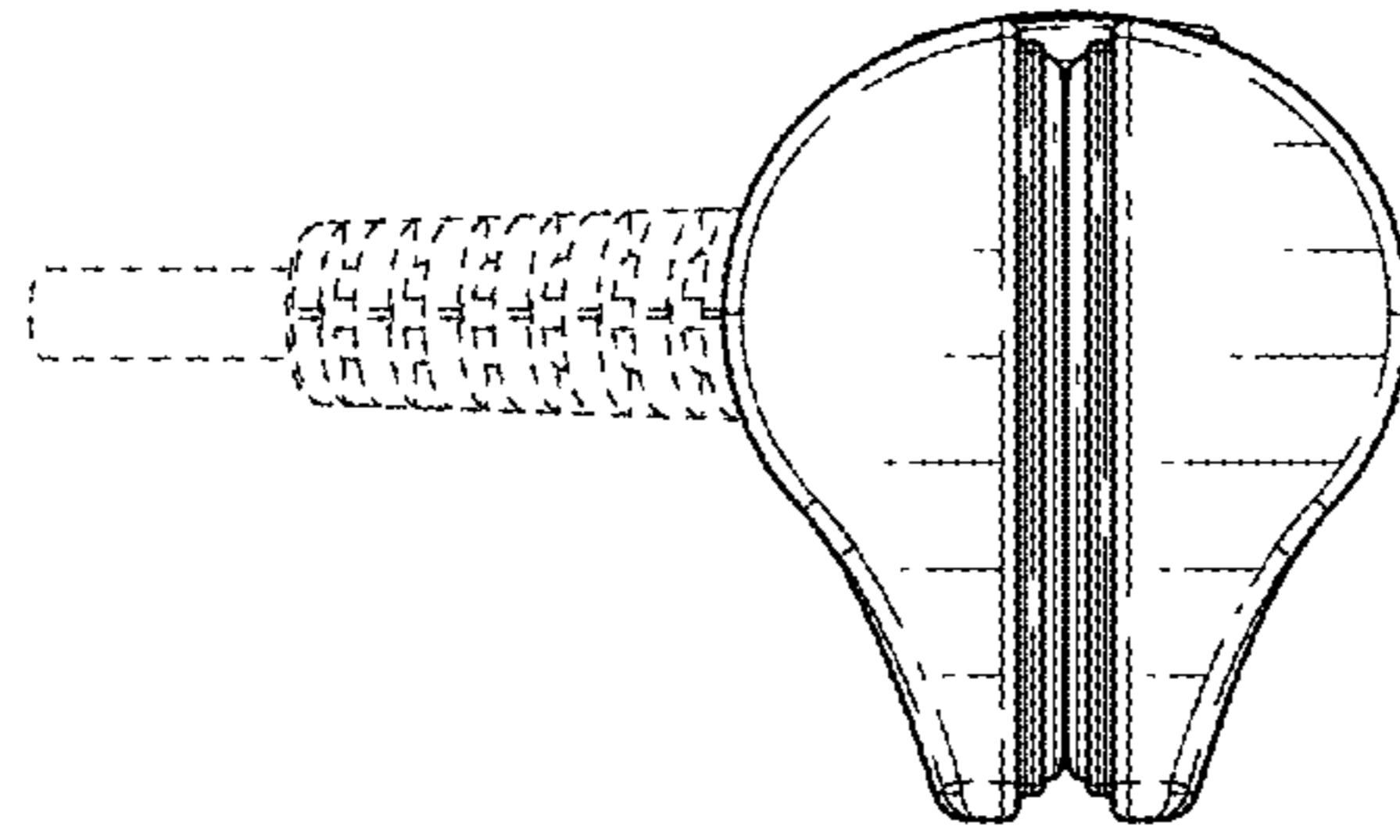


FIG. 7

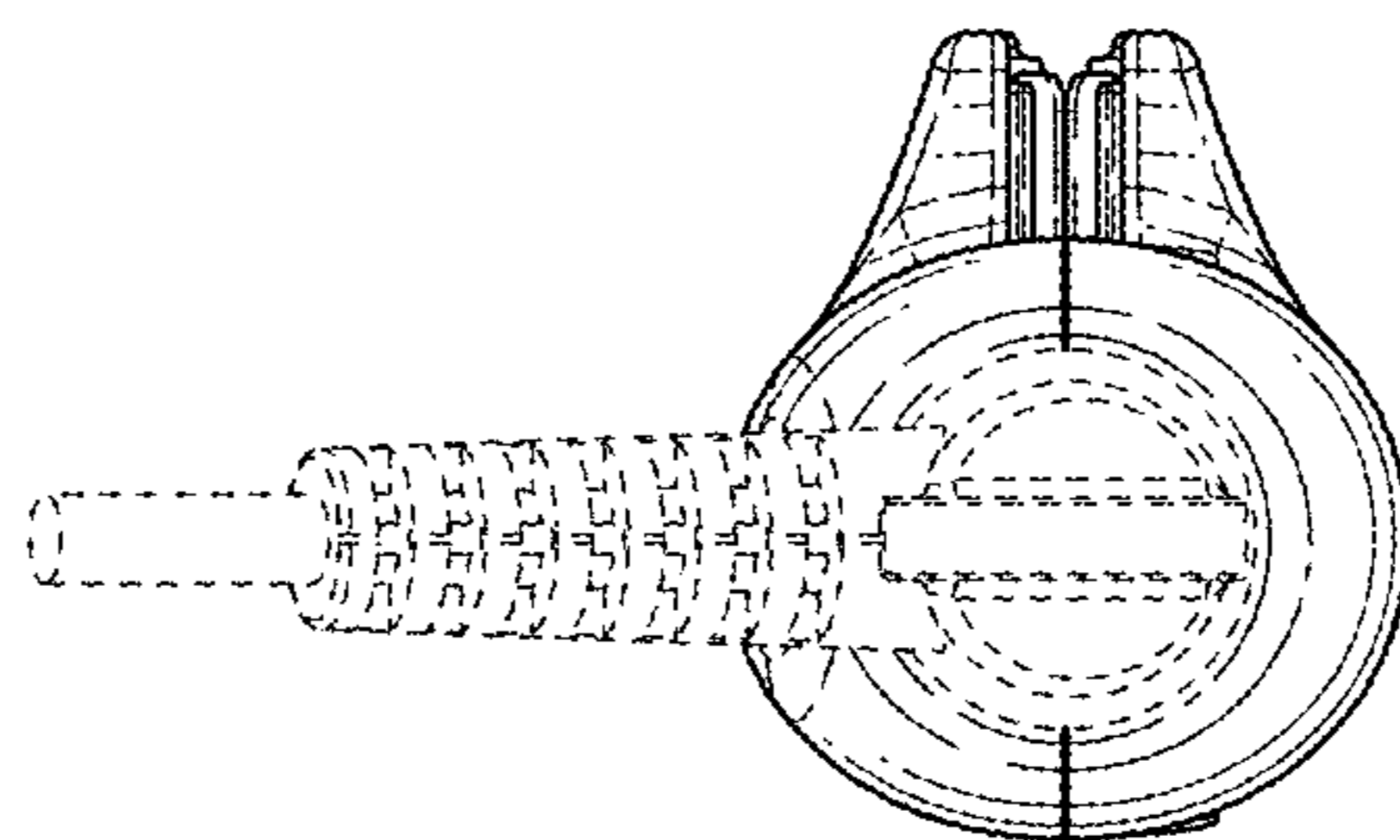


FIG. 8