



US00D987894S

(12) **United States Design Patent** (10) **Patent No.:** **US D987,894 S**
Ernotte (45) **Date of Patent:** **** May 30, 2023**

(54) **HAIR DRYER**

(71) Applicant: **BABYLISS FACO SRL**, Wandre (BE)

(72) Inventor: **Aubry Ernotte**, Theux (BE)

(73) Assignee: **BABYLISS FACO SRL**, Wandre (BE)

(**) Term: **15 Years**

(21) Appl. No.: **35/514,479**

(22) Filed: **May 24, 2022**

(80) **Hague Agreement Data**

Int. Filing Date: **May 24, 2022**

Int. Reg. No.: **DM/221239**

Int. Reg. Date: **May 24, 2022**

Int. Reg. Pub. Date: **Jun. 17, 2022**

(30) **Foreign Application Priority Data**

Dec. 10, 2021 (EM) 008794382-0003

(51) **LOC (14) Cl.** **28-03**

(52) **U.S. Cl.**
USPC **D28/13**

(58) **Field of Classification Search**
USPC D28/12-19; D8/29.1
CPC A45D 20/00; A45D 20/04; A45D 20/08;
A45D 20/10; A45D 20/12; A45D
2020/128

See application file for complete search history.

(56) **References Cited**

U.S. PATENT DOCUMENTS

D899,683 S * 10/2020 Brady D28/13

D901,768 S * 11/2020 Ceva D28/13

D931,531 S * 9/2021 Chen D28/13

D931,532 S * 9/2021 de Gouzillon de Belizal D28/13

D933,291 S * 10/2021 Huang D28/13

* cited by examiner

Primary Examiner — Zenia I Bennett

(57) **CLAIM**

The ornamental design for a hair dryer, as shown and described.

DESCRIPTION

1. Hair dryer

Fig. 1.1 is a perspective view;

Fig. 1.2 is a rear perspective view;

Fig. 1.3 is a front elevation view;

Fig. 1.4 is a bottom plan view;

Fig. 1.5 is a top plan view;

Fig. 1.6 is a right side elevation view;

Fig. 1.7 is a rear perspective view;

Fig. 1.8 is a left side elevation view.

Hair dryer for drying hair.

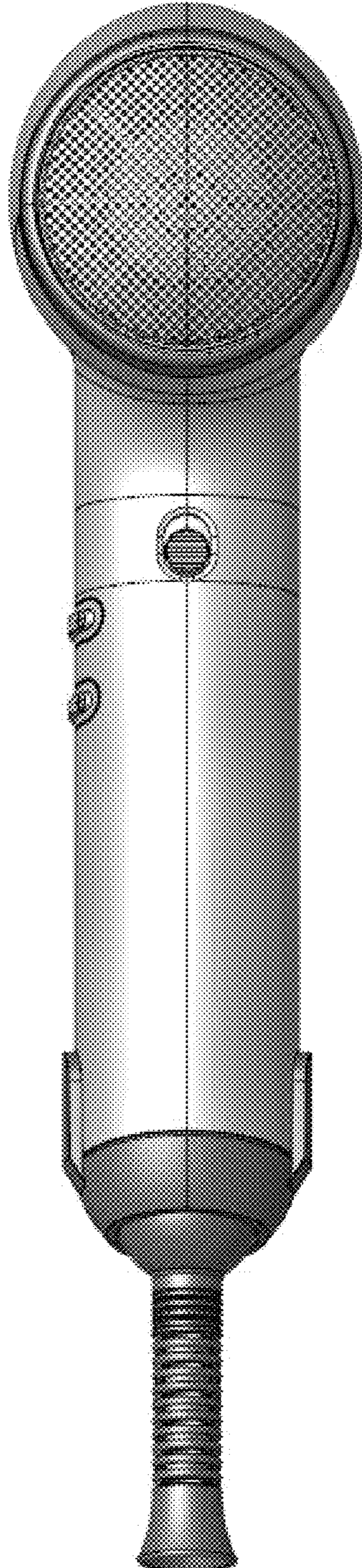
1 Claim, 8 Drawing Sheets



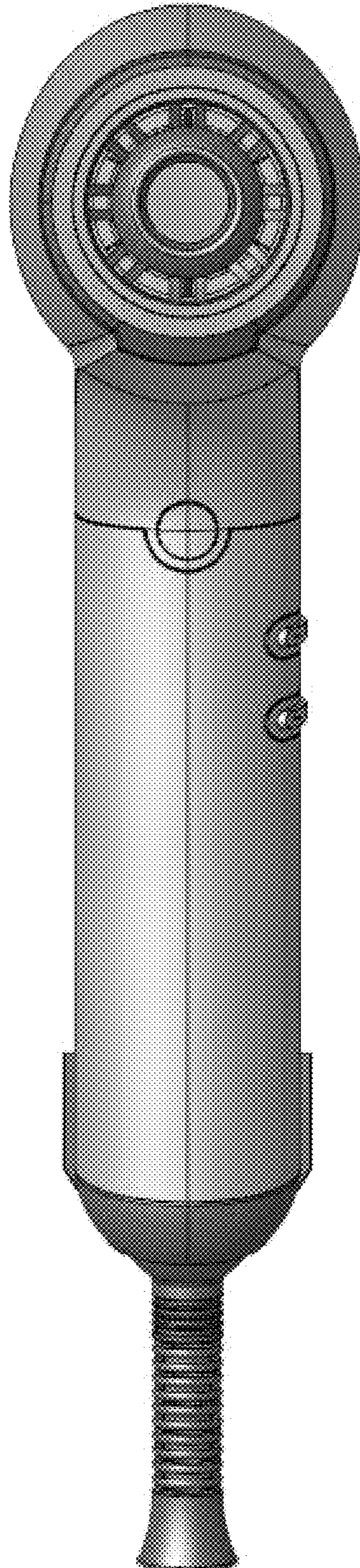
1.1



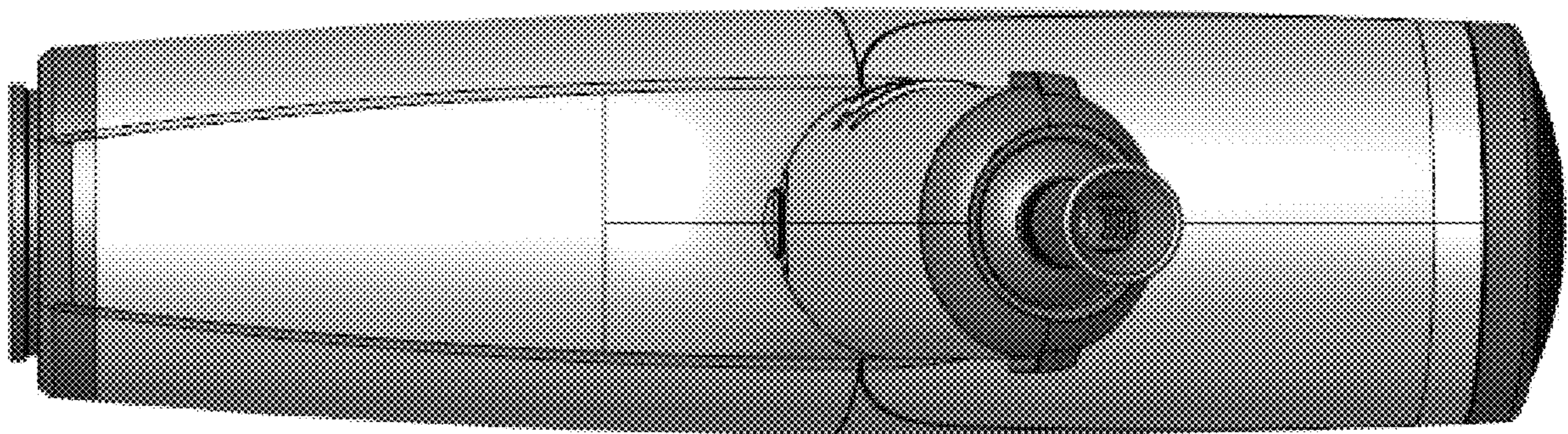
1.2



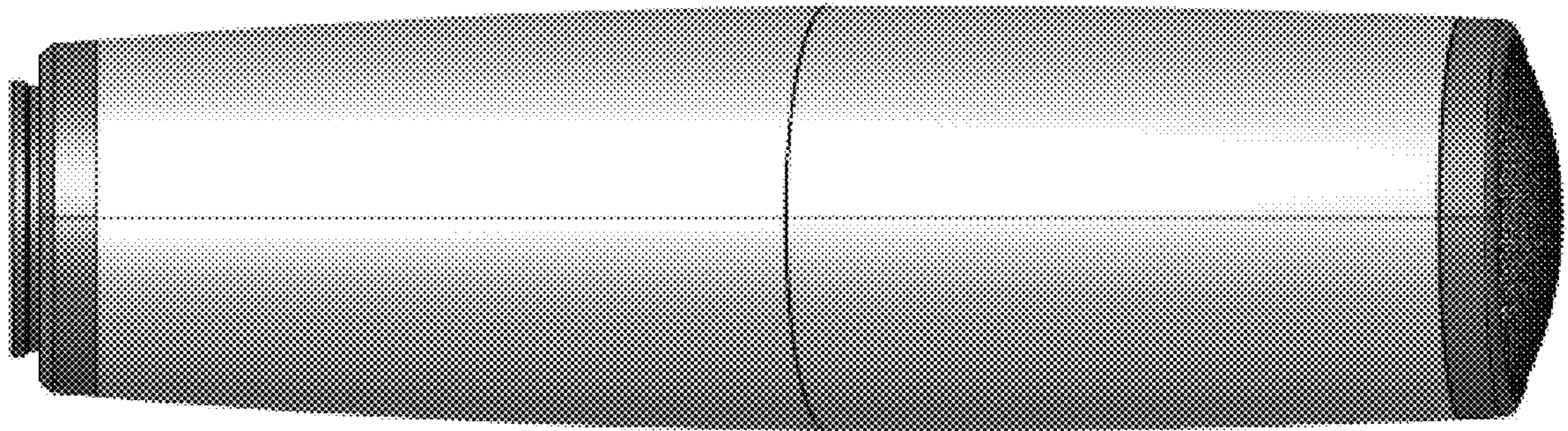
1.3



1.4



1.5



1.6



1.7



1.8

