



US00D987893S

(12) **United States Design Patent** (10) **Patent No.:** **US D987,893 S**  
**Shami** (45) **Date of Patent:** **\*\* May 30, 2023**

(54) **BLOW DRYER**

**DESCRIPTION**

- (71) Applicant: **FAROUK SYSTEMS, INC.**, Houston, TX (US)
- (72) Inventor: **Farouk M. Shami**, Houston, TX (US)
- (73) Assignee: **Farouk Systems, Inc.**, Houston, TX (US)
- (\*\*) Term: **15 Years**
- (21) Appl. No.: **29/821,779**
- (22) Filed: **Jan. 3, 2022**

**Related U.S. Application Data**

- (62) Division of application No. 29/720,448, filed on Jan. 13, 2020, now Pat. No. Des. 940,392.
- (51) **LOC (14) Cl.** ..... **28-03**
- (52) **U.S. Cl.**  
USPC ..... **D28/13**
- (58) **Field of Classification Search**  
USPC ..... D28/12-19; D8/29.1  
CPC ..... A45D 20/00; A45D 20/04; A45D 20/08;  
A45D 20/10; A45D 20/12; A45D  
2020/128  
See application file for complete search history.

**References Cited**

**U.S. PATENT DOCUMENTS**

- D296,070 S \* 6/1988 Cunningham ..... D28/13
  - D310,733 S \* 9/1990 Gelinas ..... D28/13
  - D343,698 S \* 1/1994 Sharples ..... D28/13
- (Continued)

*Primary Examiner* — Zenia I Bennett  
 (74) *Attorney, Agent, or Firm* — Blank Rome LLP

**CLAIM**

I claim the ornamental design for a blow dryer, as shown and described.

This application is filed during the pendency of U.S. Design application Ser. No. 29/716,137, filed Dec. 6, 2019, which is also incorporated herein by reference in its entirety.

FIG. 1 is a front perspective view of a blow dryer, showing my new design with a nozzle attached;

FIG. 2 is a rear perspective view thereof;

FIG. 3 is a left side elevational view thereof, the right side being a mirror image;

FIG. 4 is a front elevational view thereof;

FIG. 5 is a rear elevational view thereof;

FIG. 6 is a top plan view thereof; and,

FIG. 7 is a bottom plan view thereof.

The broken lines showing of a nozzle in FIGS. 1-7 are for illustrating unclaimed portions of the claimed design.

The circular broken line showing of a rear inlet in FIGS. 2 and 5 are for illustrating unclaimed boundary of the claimed design.

The broken lines showing of a button on the handle in FIGS. 1, 3, 4 and 7 are for illustrating unclaimed portions of the claimed design.

The broken lines showing of a switch on the handle in FIGS. 2, 3, 5 and 7 are for illustrating unclaimed portions of the claimed design.

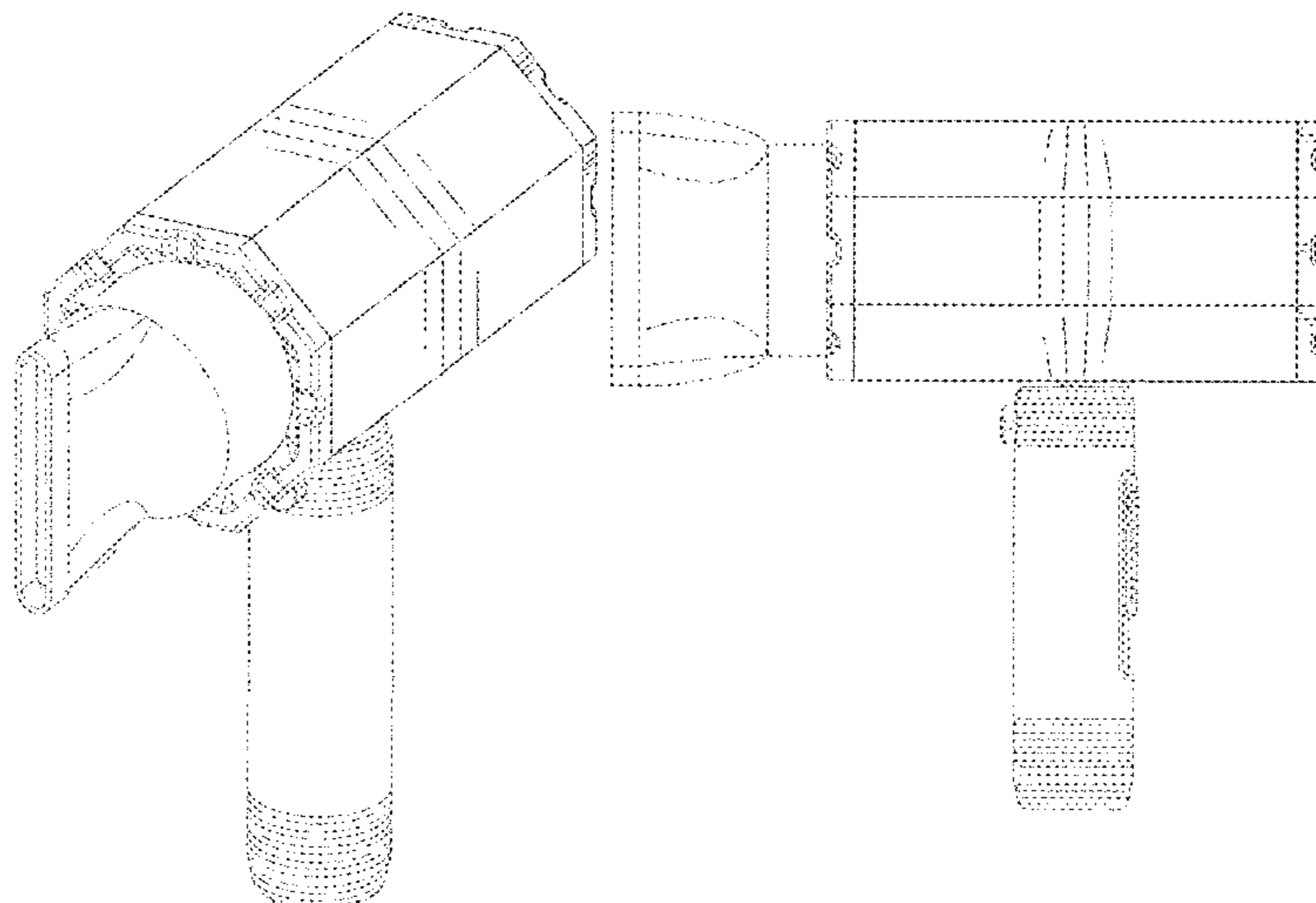
The broken lines showing on the bottom of the handle in FIG. 7 are for illustrating unclaimed boundary of the claimed design.

The broken lines showing of a front bezel on the body in FIGS. 1-4, 6 and 7 are for illustrating unclaimed portions of the claimed design.

The broken lines showing contours on the handle in FIGS. 1-5 and 7 are for illustrating unclaimed portions of the claimed design.

The broken lines showing of the handle in FIGS. 1-5 and 7 are for illustrating unclaimed portions of the claimed design.

**1 Claim, 7 Drawing Sheets**



(56)

**References Cited**

U.S. PATENT DOCUMENTS

D758,012 S \* 5/2016 Bates ..... D28/13  
D859,738 S \* 9/2019 Huang ..... D28/13

\* cited by examiner

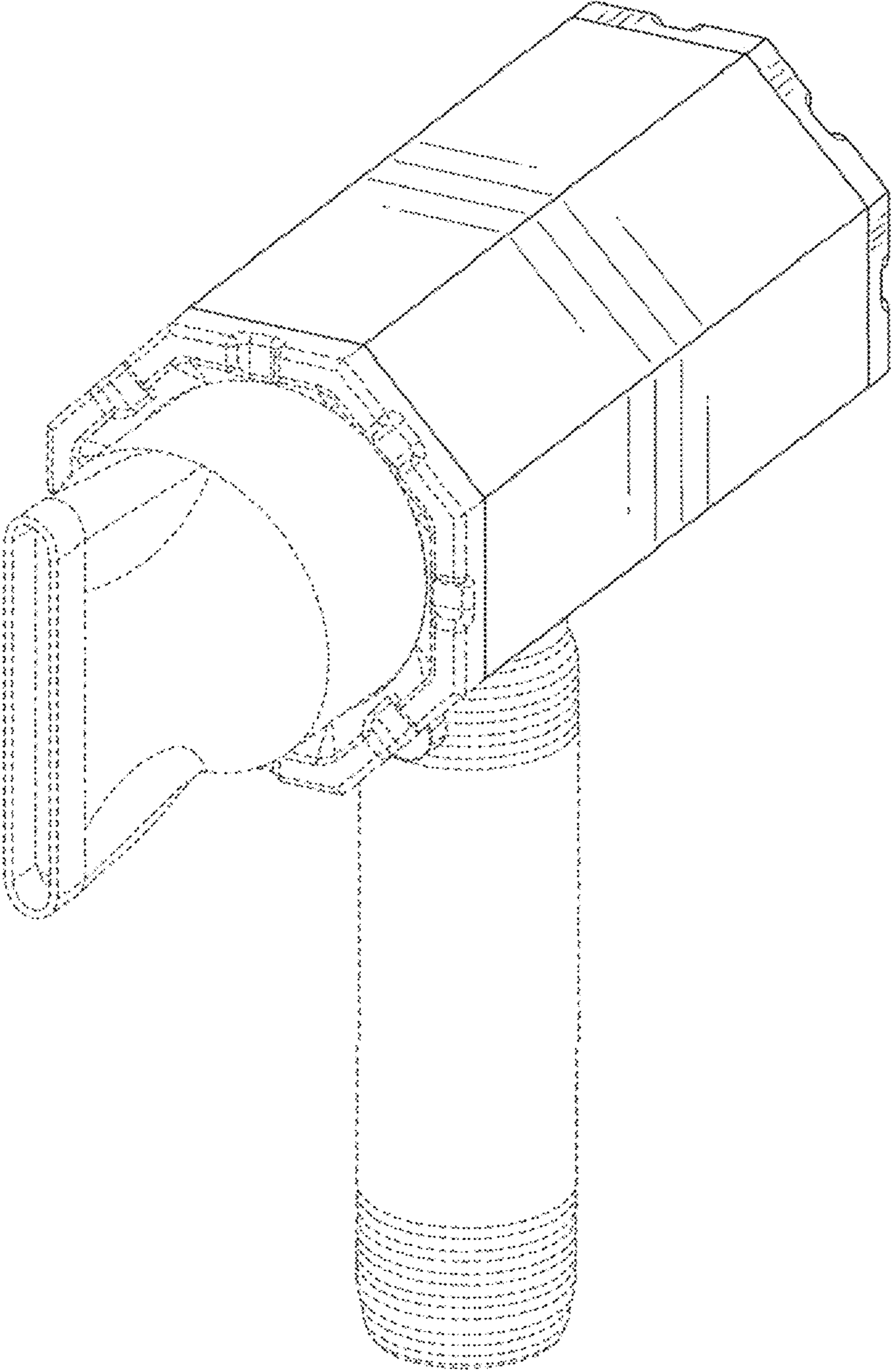


FIG. 1

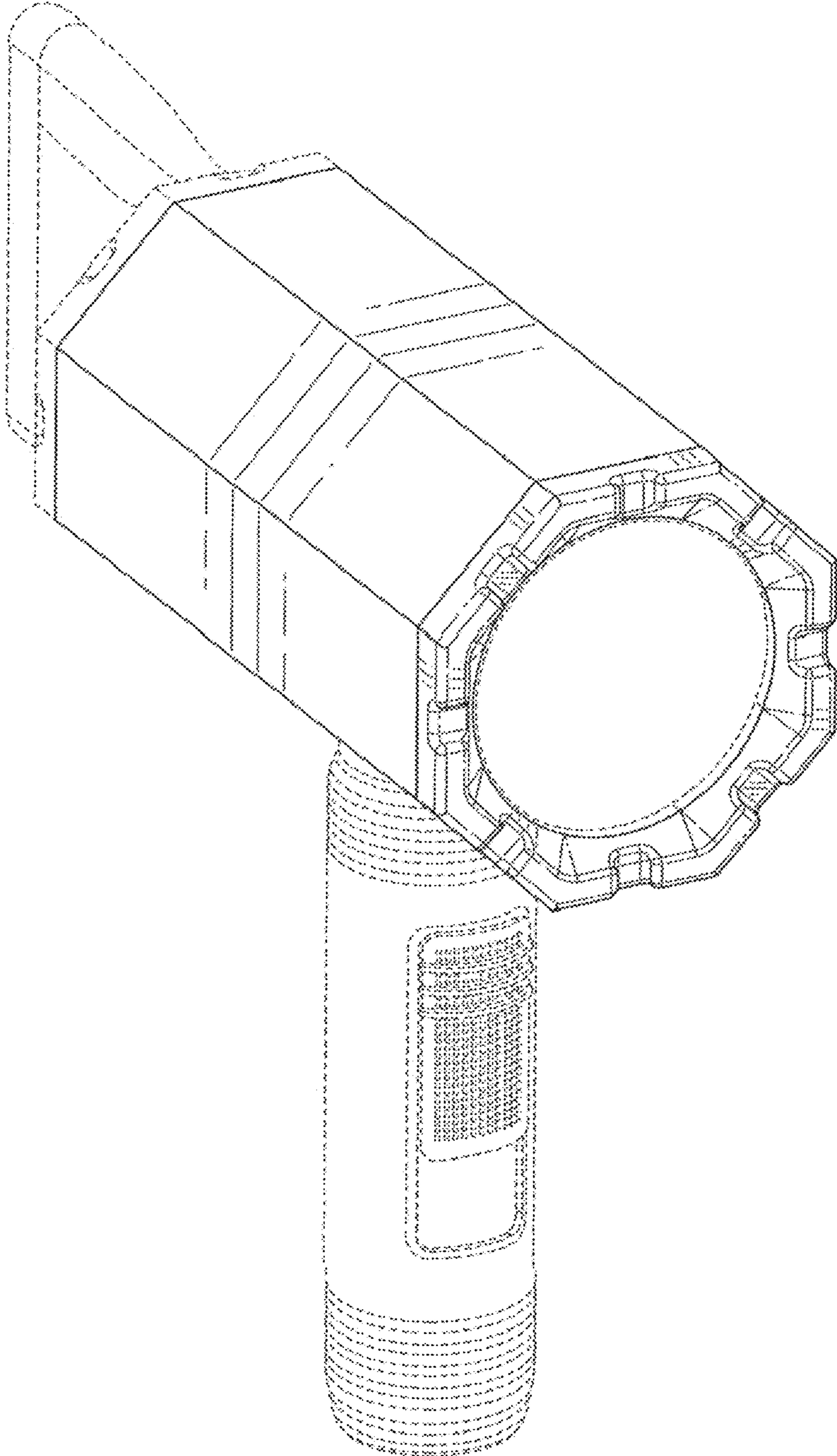


FIG. 2

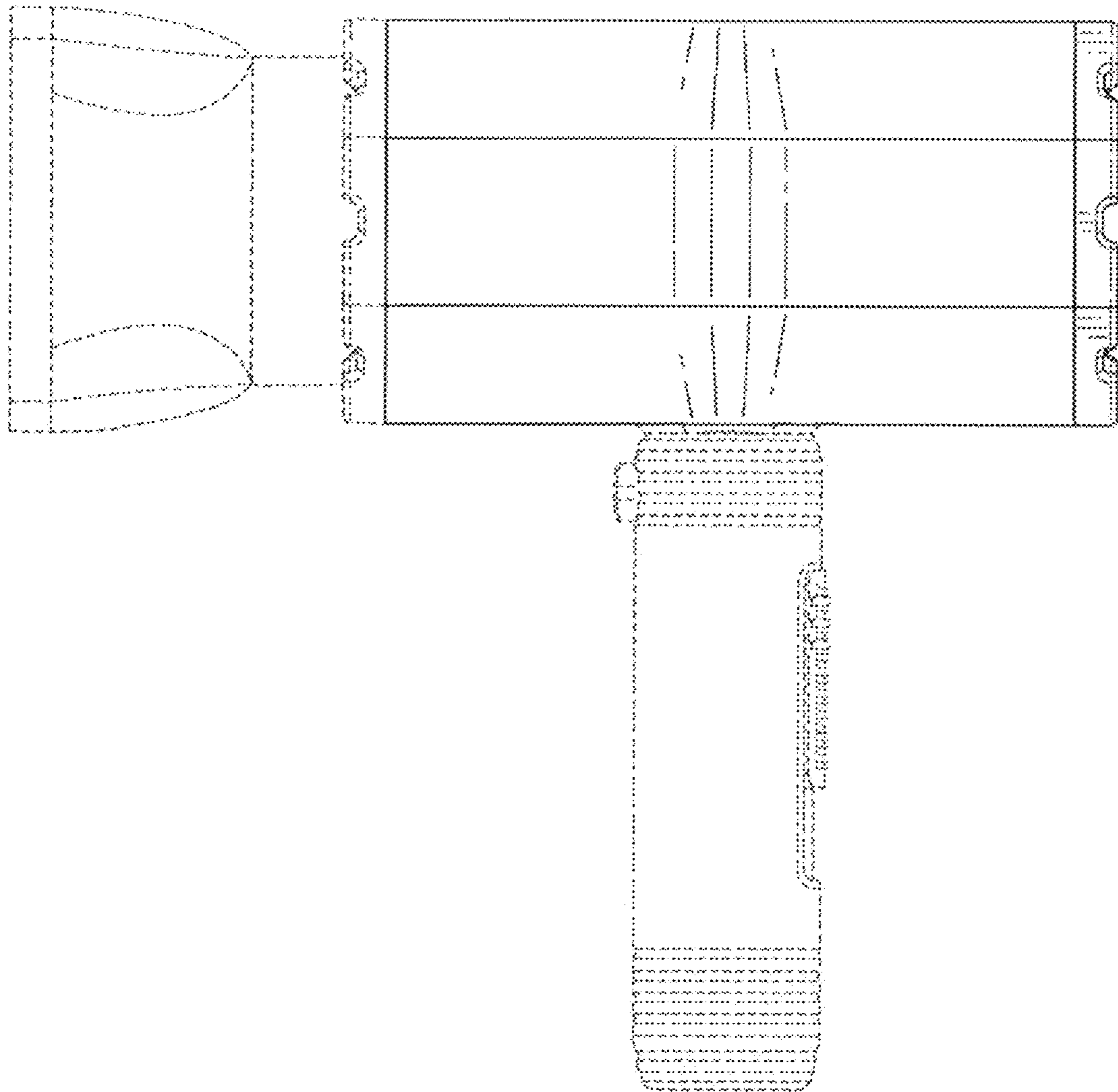


FIG. 3

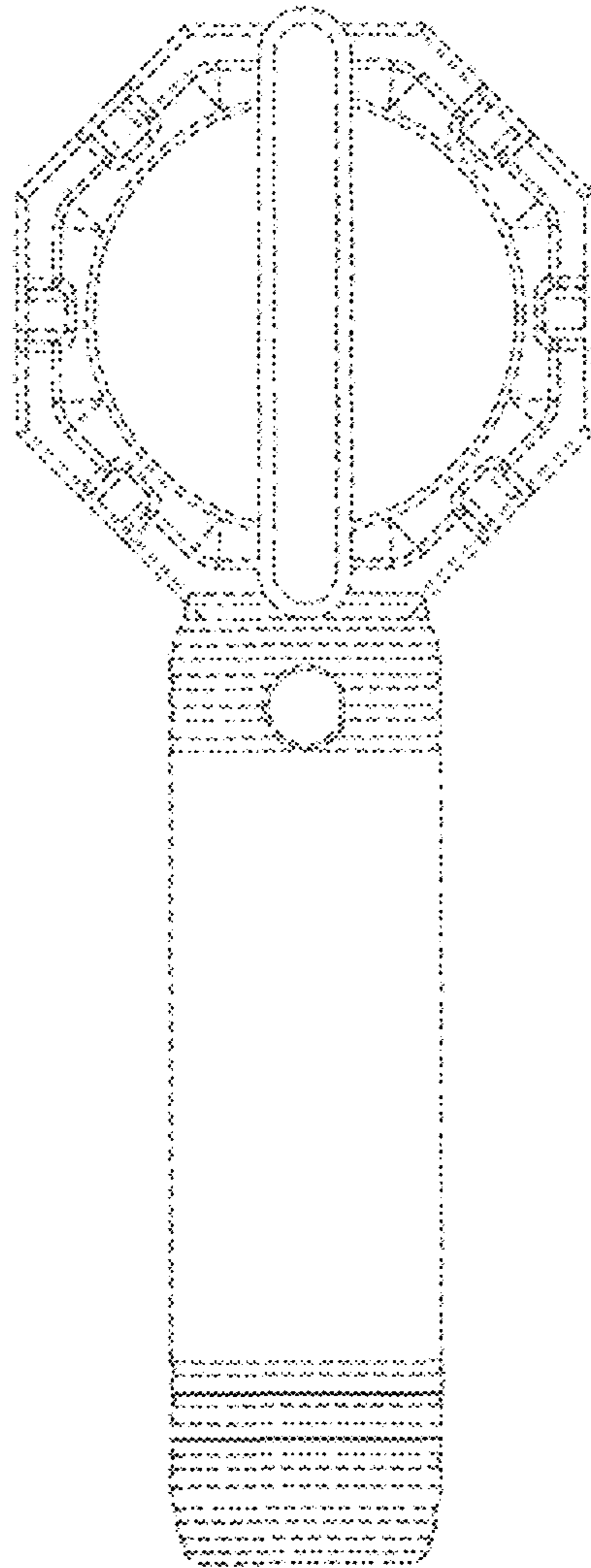


FIG. 4

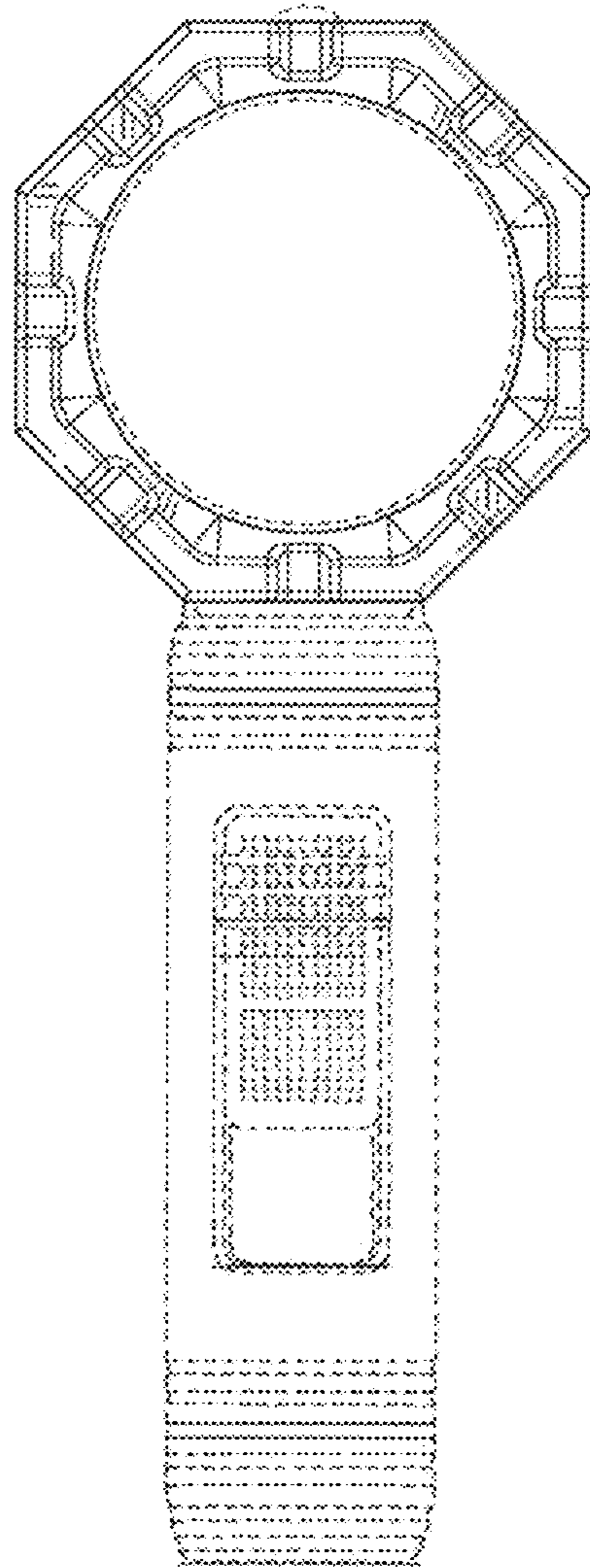


FIG. 5

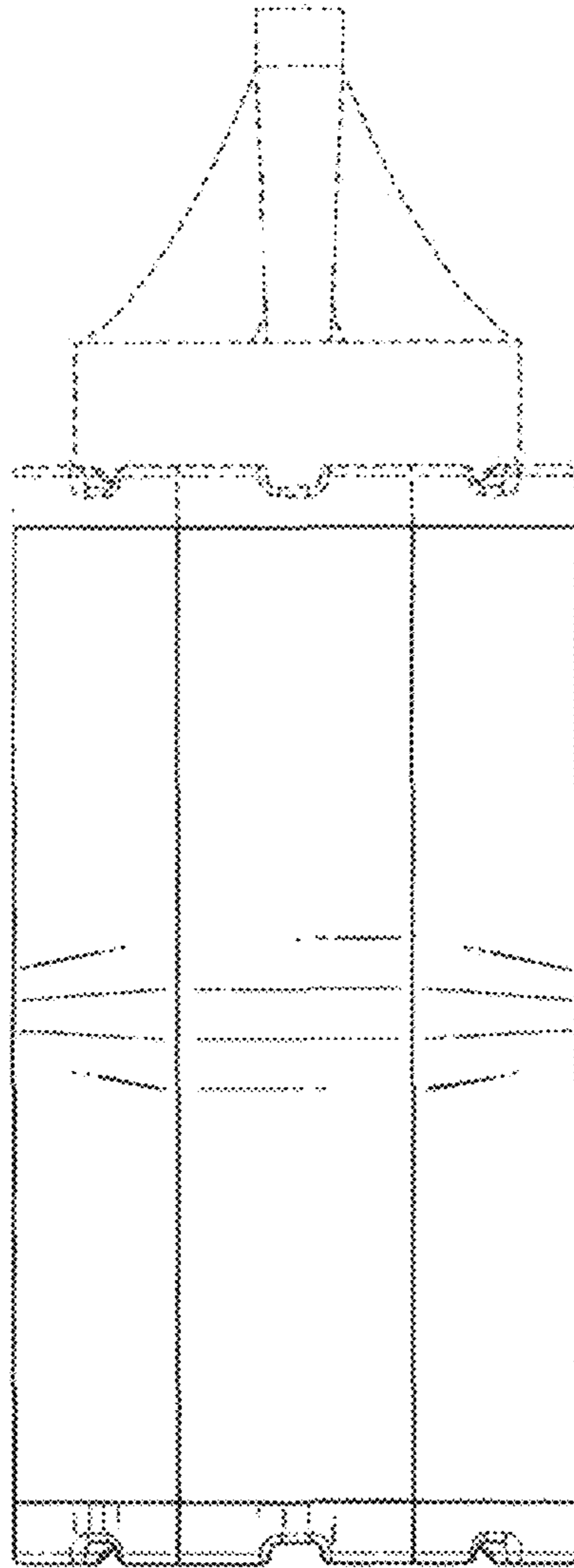


FIG. 6



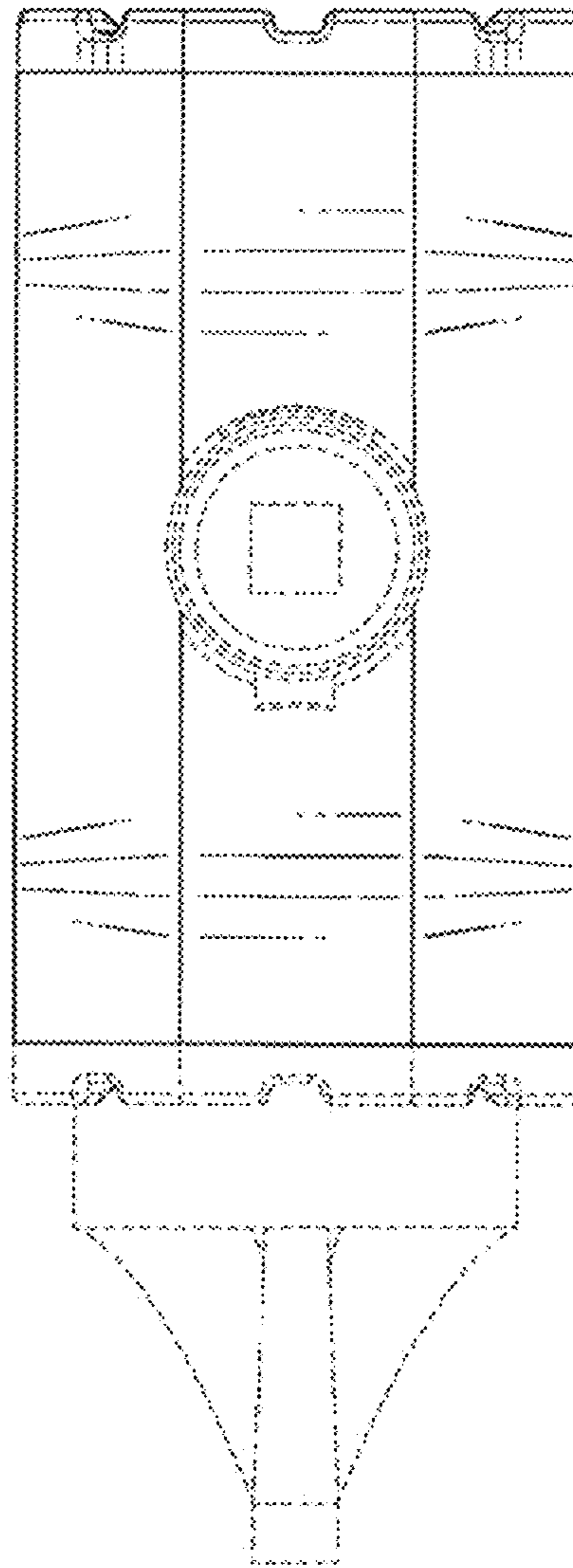


FIG. 7