



US00D987892S

(12) **United States Design Patent**
Tregerman

(10) **Patent No.:** **US D987,892 S**
(45) **Date of Patent:** **** May 30, 2023**

(54) **COSMETIC APPLICATOR BOTTLE**

FOREIGN PATENT DOCUMENTS

(71) Applicant: **Ronen Tregerman**, Las Vegas, NV
(US)

CN 302017715 * 8/2012
CN 304950590 * 12/2018

(72) Inventor: **Ronen Tregerman**, Las Vegas, NV
(US)

OTHER PUBLICATIONS

(**) Term: **15 Years**

(21) Appl. No.: **29/783,630**

(22) Filed: **May 14, 2021**

(51) **LOC (14) Cl.** **28-02**

(52) **U.S. Cl.**
USPC **D28/7**

(58) **Field of Classification Search**
USPC D28/7, 76; 132/320; 401/129; D9/529,
D9/688, 551

CPC A45D 34/04; A45D 34/06; A45D 34/045;
A45D 40/24

See application file for complete search history.

12 Pieces Crystal Rhinestone Lip Glass Tubes [online], [the publication date is Oct. 16, 2022]. [Retrieved from the internet on Jan. 20, 2023]. URL: <https://www.amazon.com/Crystal-Rhinestone-Refillable-Container-Cosmetic/dp/B08L36THZ2/ref=sr_1_22_sspa?crid=3AEZWA964CIE&keywords=bedazzled%2Bcosmetic%2Bapplicator%2Bbottle&qid=1670261873&srefix=bedazzled%2Bcosmetic%2Bapplicator%2Bbottle%2Caps%2C68&sr=8-22-spons&spLa=ZW5jcnIwdGVkUXVhbGImaWVyPUEwM1MyRkdRWVIQRUs3JmVuY3J5cHRIZEikPUEwOTIzMzQ2MjhEU1BCWUxGRkpJSCZlbnNyeXB0ZWZlbnR1eXN0Y3NFQzN0Q0SDhJNEVlJndpZGdldE5hbWU9c3BfbXRmJmFjdGlvbj1jbGJja1JIZGIyZWN0JmRvTm90TG9nQ2xpY2s9dHJ1ZQ&th=1>. (Year: 2022).*

(Continued)

Primary Examiner — Karen E Eldridge Powers

Assistant Examiner — Margaret Leah Bryan

(74) *Attorney, Agent, or Firm* — Quickpatens, LLC;
Kevin Prince

(56) **References Cited**

U.S. PATENT DOCUMENTS

- 1,257,775 A * 2/1918 Wolf A45D 34/06
401/18
- 1,749,565 A * 3/1930 Coryell A45D 40/24
221/96
- 2,691,184 A * 10/1954 Miller A45D 40/24
401/129
- 2,695,028 A * 11/1954 Dulberg A45D 34/06
132/318
- 3,351,074 A * 11/1967 Aston A45D 34/042
D28/7
- D254,151 S * 2/1980 Wolff D27/142
- D308,475 S * 6/1990 Gastwirt D6/377
- 5,095,580 A * 3/1992 Capponi A46B 7/023
132/320
- D333,014 S * 2/1993 Lang D28/76
- D335,086 S * 4/1993 Wacker D9/551
- D391,491 S * 3/1998 Lang D9/529
- D541,479 S * 4/2007 Cronin D9/504
- D632,014 S * 2/2011 Lee D9/504

(Continued)

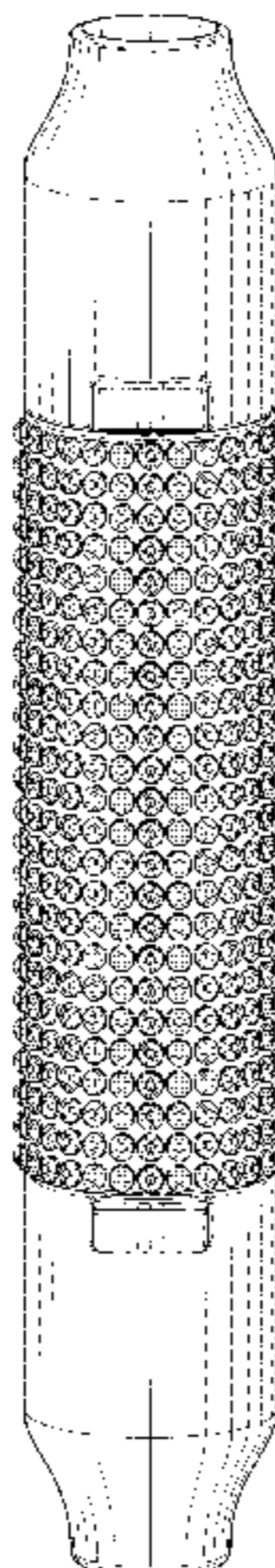
(57) **CLAIM**

The ornamental design for a cosmetic applicator bottle, as shown and described.

DESCRIPTION

FIG. 1 is a front and top perspective view of a cosmetic applicator bottle, showing my new design;
FIG. 2 is a front elevational view thereof;
FIG. 3 is a rear elevational view thereof;
FIG. 4 is a left-side elevational view thereof, the right-side elevational view being a mirror image thereof;
FIG. 5 is an enlarged top plan view thereof; and,
FIG. 6 is an enlarged bottom plan view thereof.

(Continued)



The broken lines in FIGS. 5 and 6 depict portions of the cosmetic applicator bottle that form no part of the claimed design.

1 Claim, 5 Drawing Sheets

(56)

References Cited

U.S. PATENT DOCUMENTS

8,434,955 B2 * 5/2013 Rauschert A45D 40/24
401/17
8,506,194 B2 * 8/2013 Liu A45D 40/24
401/175
D696,857 S * 1/2014 Atteberry D3/215
D697,807 S * 1/2014 Servaire D9/504
D731,172 S * 6/2015 Atteberry D3/215

9,226,562 B2 * 1/2016 Sauvage B05B 11/1015
9,386,840 B2 * 7/2016 Huang A45D 33/02
D843,844 S * 3/2019 Song D9/688
D854,744 S * 7/2019 Tanaka D28/7
D895,204 S * 9/2020 Medearis D28/20
11,357,307 B2 * 6/2022 Tanaka A45D 34/045
2011/0091264 A1 * 4/2011 Zhang A45D 34/04
401/139
2014/0341631 A1 * 11/2014 Cakridas A45D 33/008
401/126

OTHER PUBLICATIONS

Ronrons 10 Pieces Clear Crystal Empty Lip Glass Tube [online], [the publication date is Dec. 18, 2021]. [Retrieved from the Internet on Jan. 20, 2023]. URL: <https://www.amazon.com/RONRONS-Container-Refillable-Lipstick-Applicator/dp/B0895MCSQX#>>. (Year: 2021).*

* cited by examiner

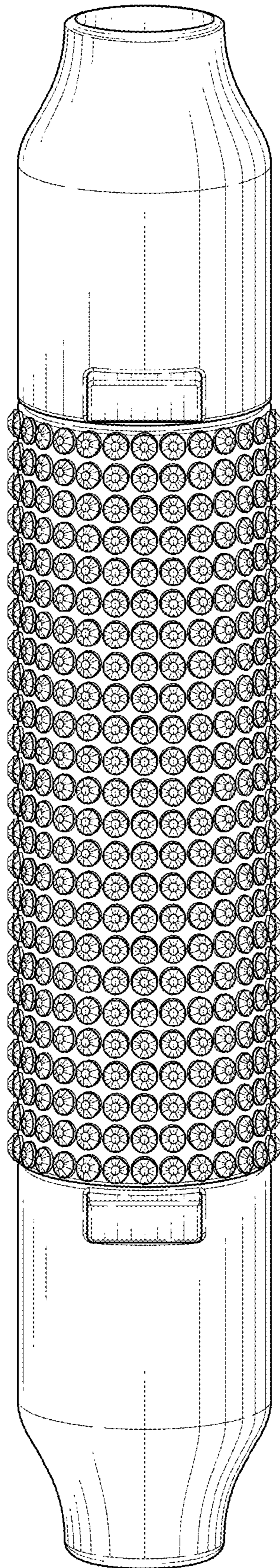


FIG. 1

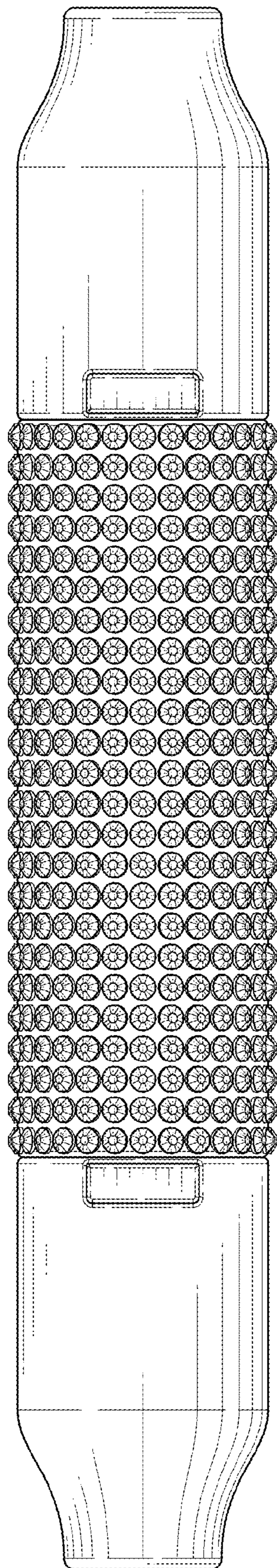


FIG. 2

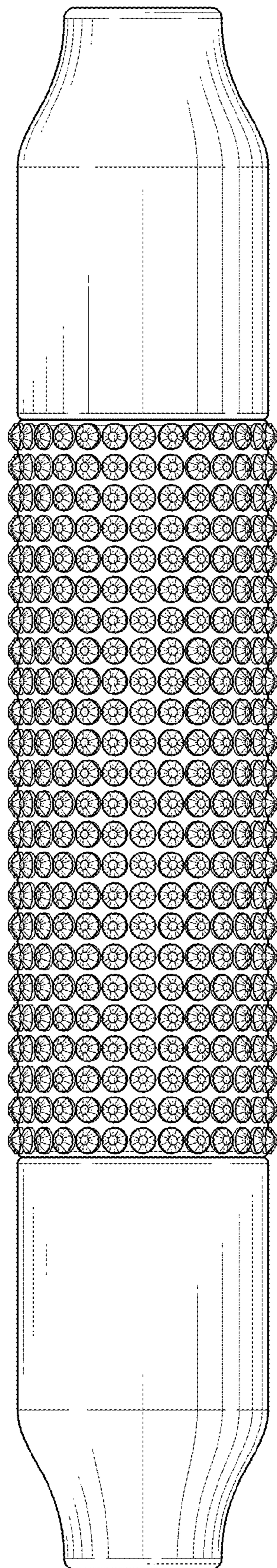


FIG. 3

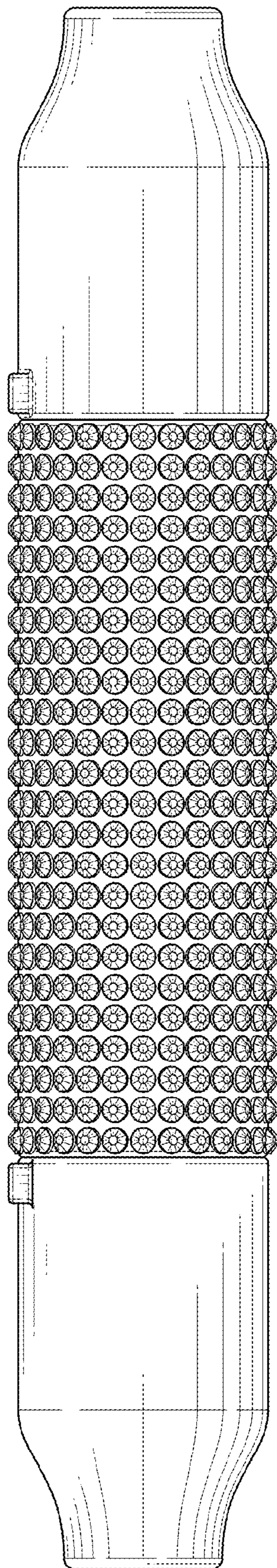


FIG. 4

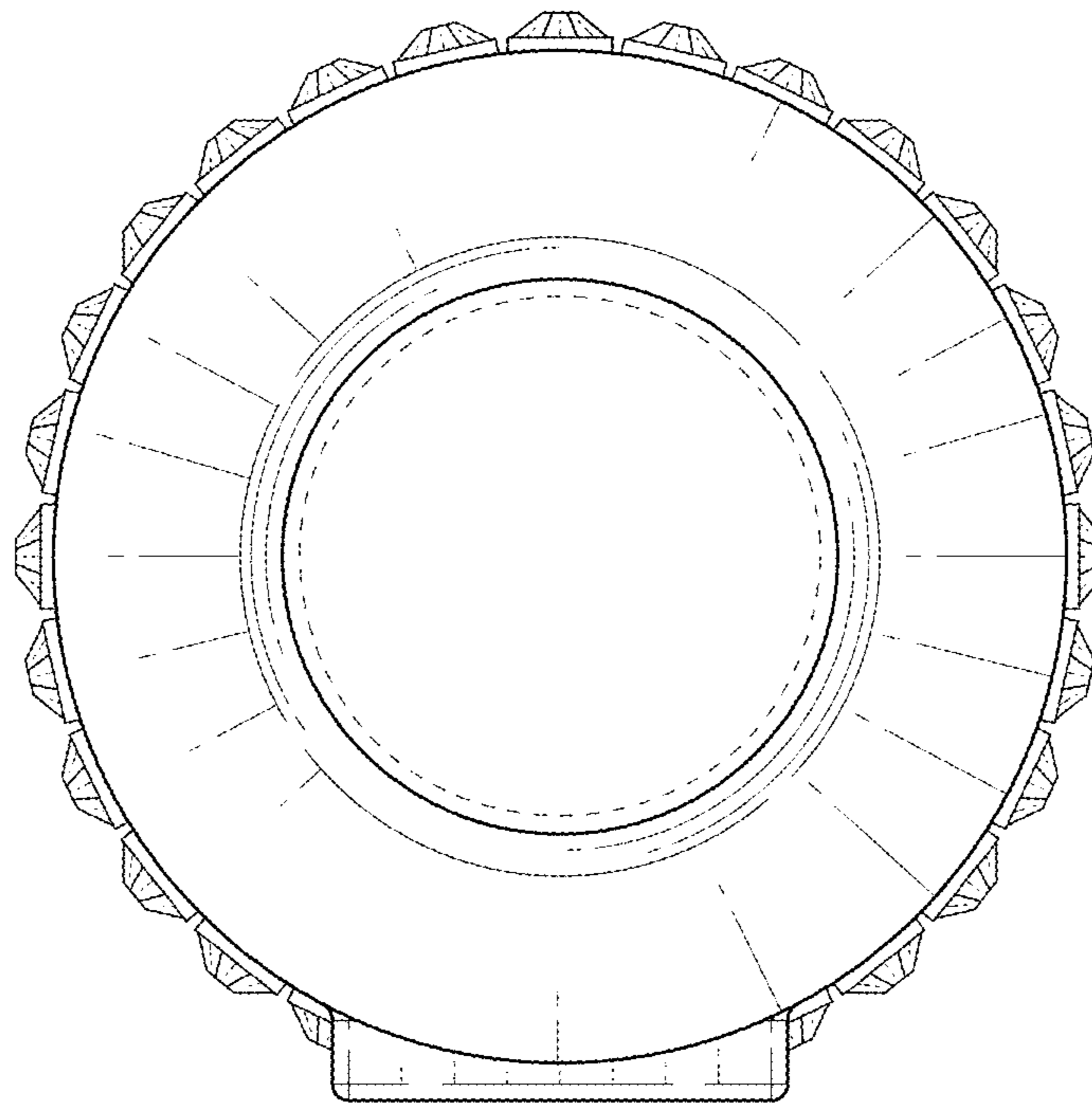


FIG. 5

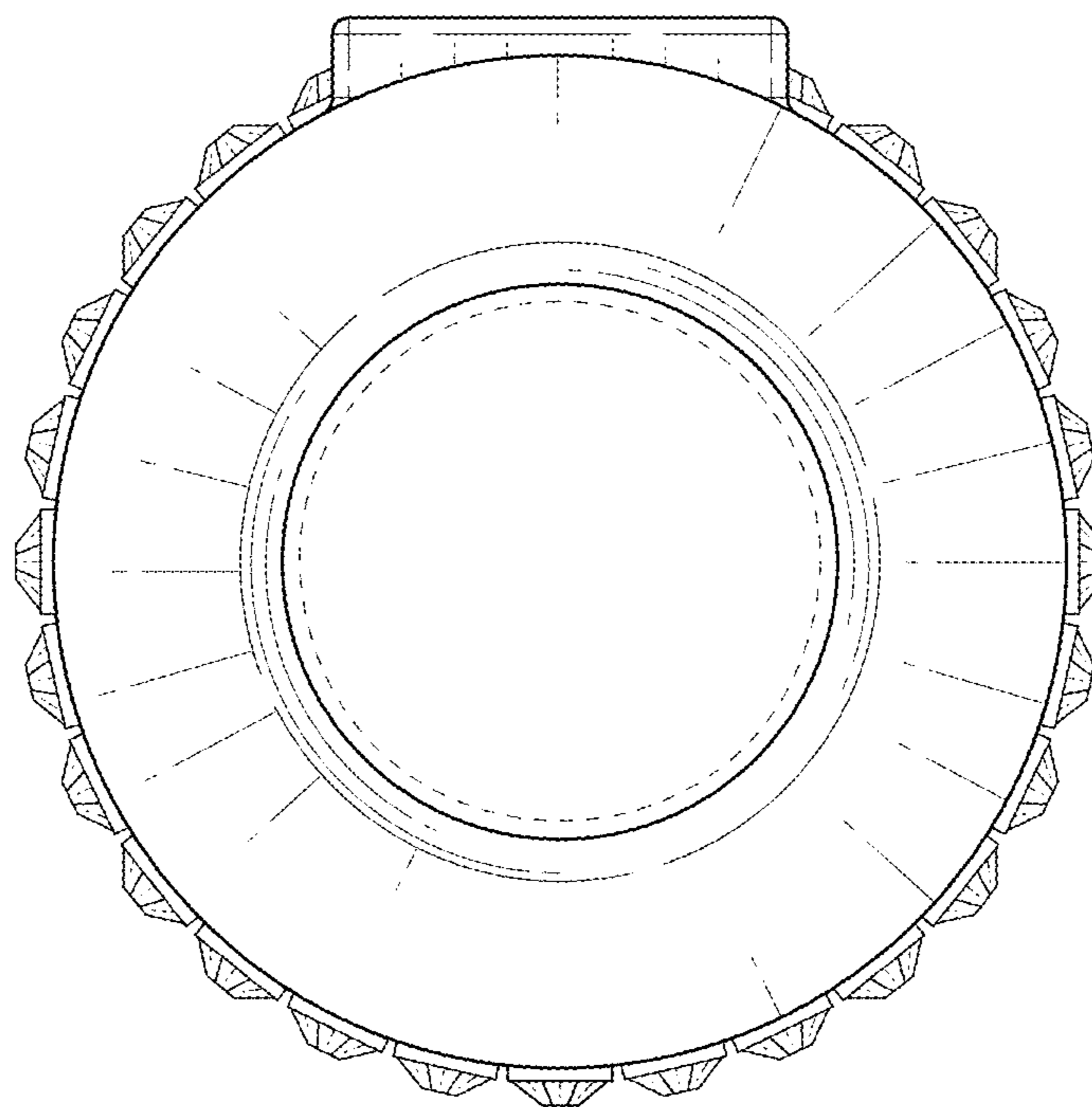


FIG. 6