



US00D987889S

(12) **United States Design Patent**  
**Healy**

(10) **Patent No.:** **US D987,889 S**

(45) **Date of Patent:** **\*\* May 30, 2023**

(54) **VAPE CHARM**

(71) Applicant: **Twisted Foot, LLC**, Denver, CO (US)

(72) Inventor: **Robert Andrew Healy**, Denver, CO (US)

(73) Assignee: **Twisted Foot, LLC**, Denver, CO (US)

(\*\*) Term: **15 Years**

(21) Appl. No.: **29/768,061**

(22) Filed: **Jan. 27, 2021**

(51) **LOC (14) Cl.** ..... **27-02**

(52) **U.S. Cl.**  
USPC ..... **D27/162**

(58) **Field of Classification Search**  
USPC ..... D27/162, 100, 101, 106, 108, 163–165,  
D27/172, 180–183, 185–194; D24/110,  
D24/110.5; D11/79, 86, 7, 2, 200  
CPC .... A24F 47/002; A24F 47/004; A24F 47/006;  
A24F 47/008; A61M 15/00; A61M 15/06  
See application file for complete search history.

(56) **References Cited**

**U.S. PATENT DOCUMENTS**

D696,766 S \* 12/2013 Maurer ..... D24/110  
D753,286 S \* 4/2016 Young ..... D24/110

D855,880 S \* 8/2019 Sarsurluoglu ..... D27/186  
D882,865 S \* 4/2020 Fornarelli ..... D27/162  
D892,303 S \* 8/2020 Formica ..... D24/164  
D914,963 S \* 3/2021 Kashani ..... D27/194  
D925,114 S \* 7/2021 Kim ..... D27/162  
D942,611 S \* 2/2022 Leavens ..... D24/110

\* cited by examiner

*Primary Examiner* — Rebecca Tsehaye

(74) *Attorney, Agent, or Firm* — Williams Mullen;  
Andrew R. Shores

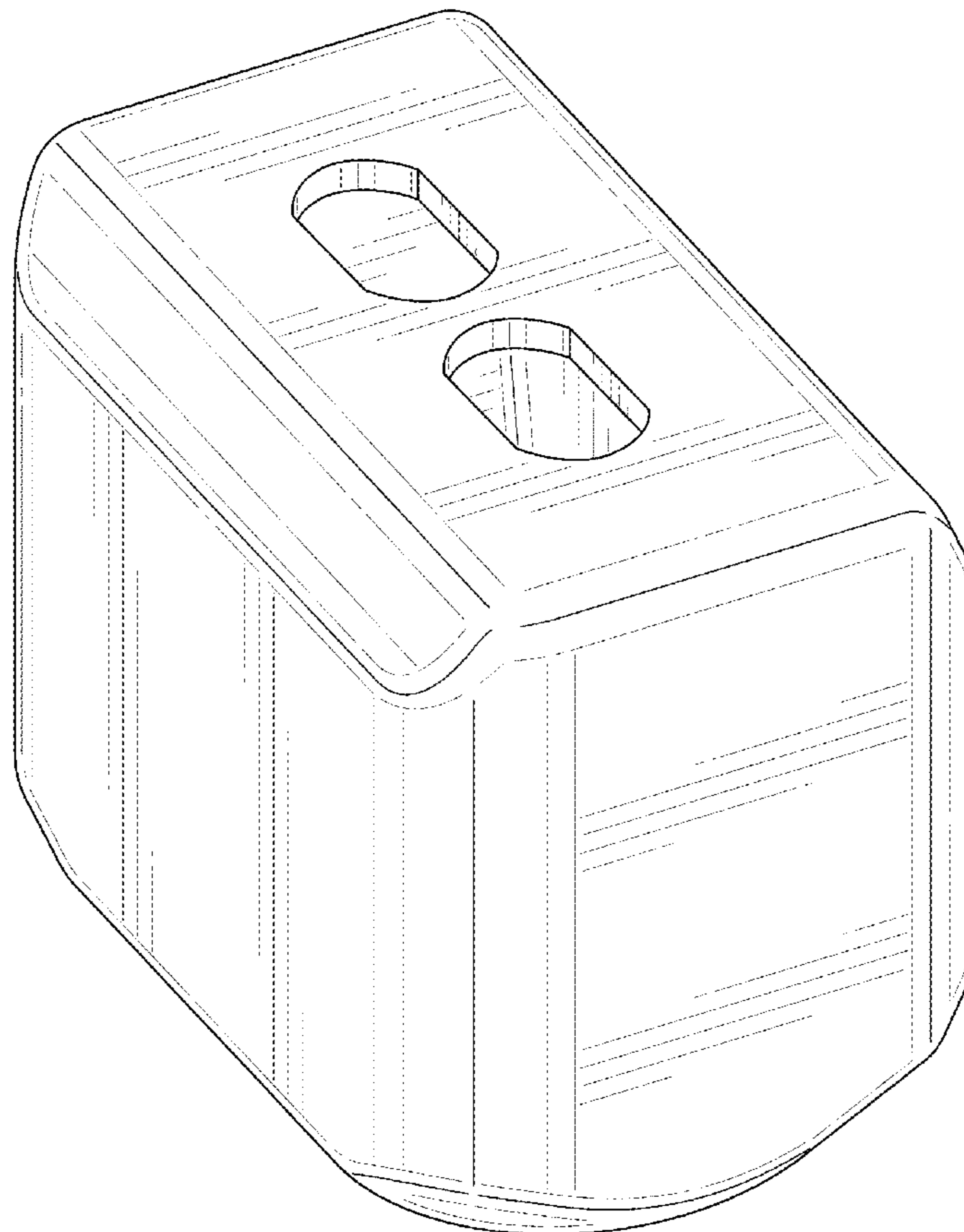
(57) **CLAIM**

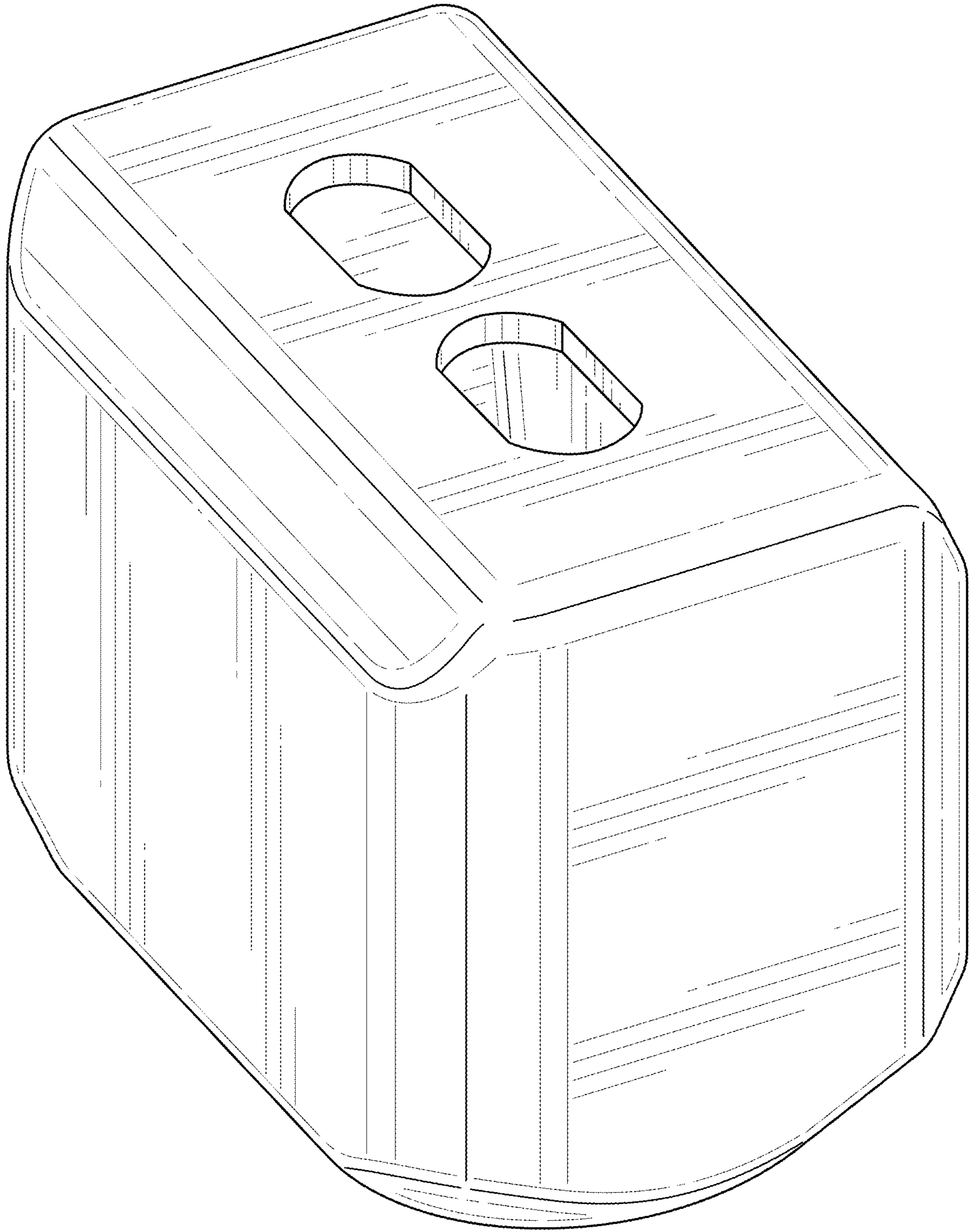
The ornamental design for a vape charm, as shown and described.

**DESCRIPTION**

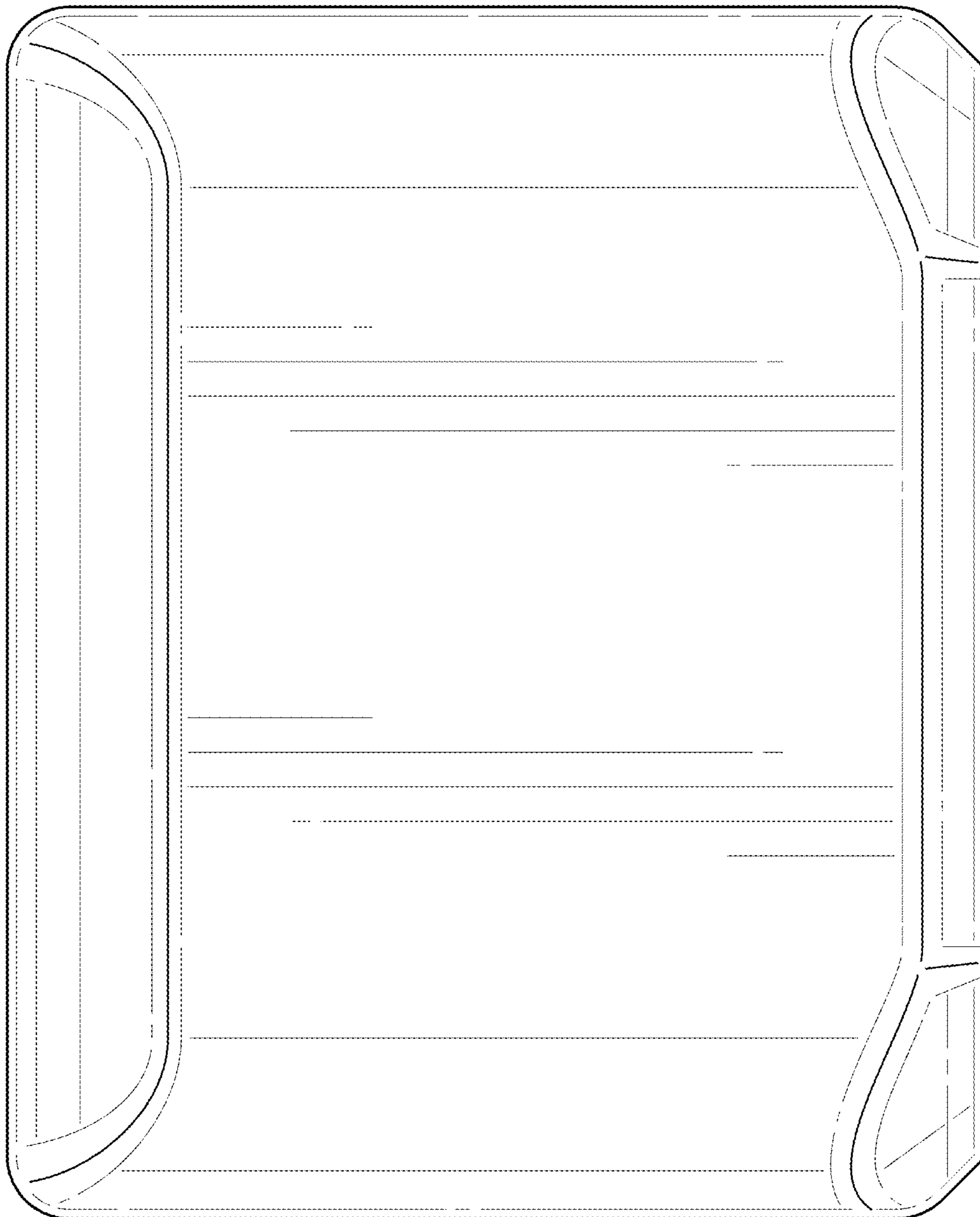
FIG. 1 is a perspective view of a vape charm in accordance with the present design;  
FIG. 2 is a front view thereof;  
FIG. 3 is a rear view thereof;  
FIG. 4 is a right side view thereof;  
FIG. 5 is a left side view thereof;  
FIG. 6 is a top view thereof; and,  
FIG. 7 is a bottom view thereof.

**1 Claim, 7 Drawing Sheets**

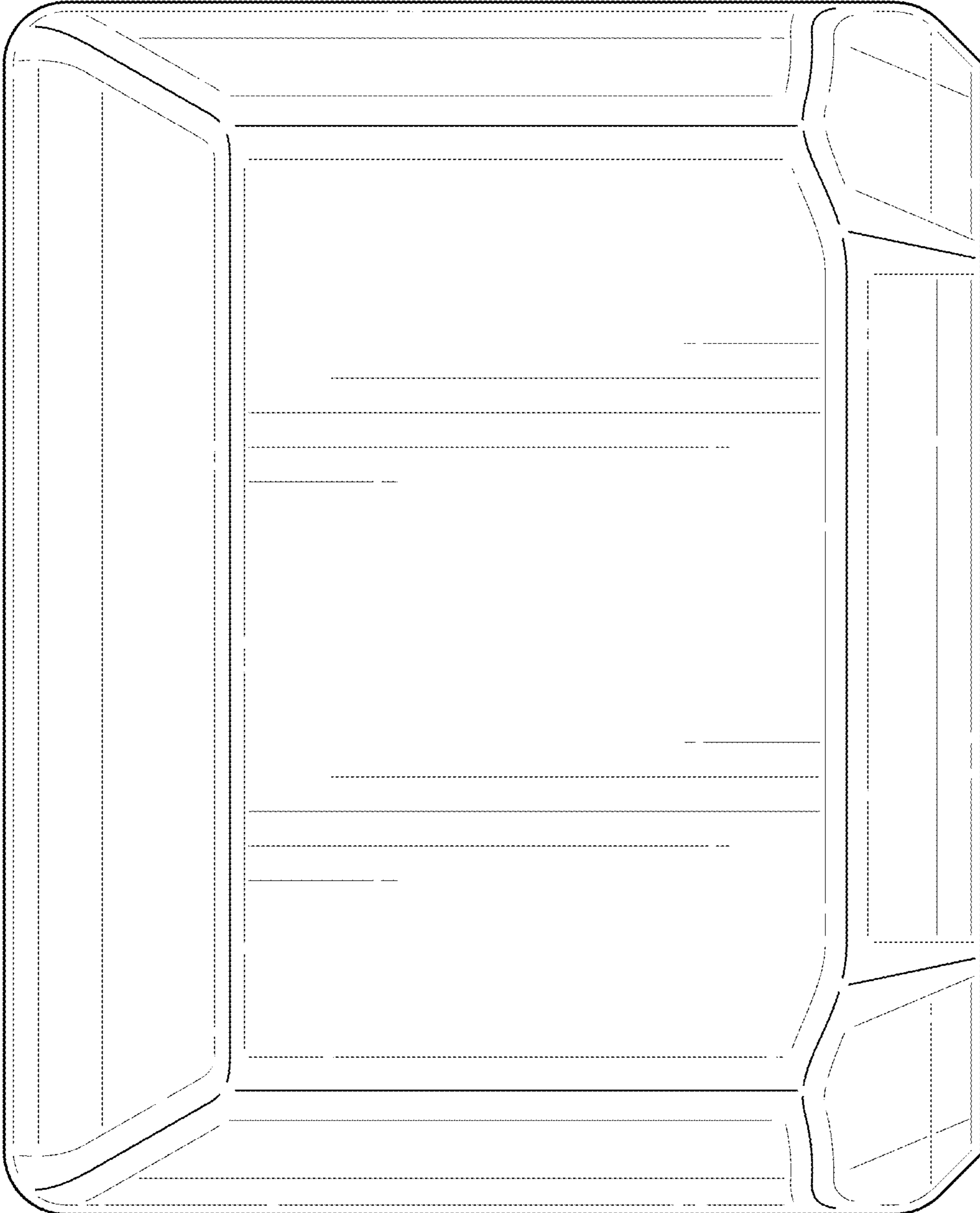




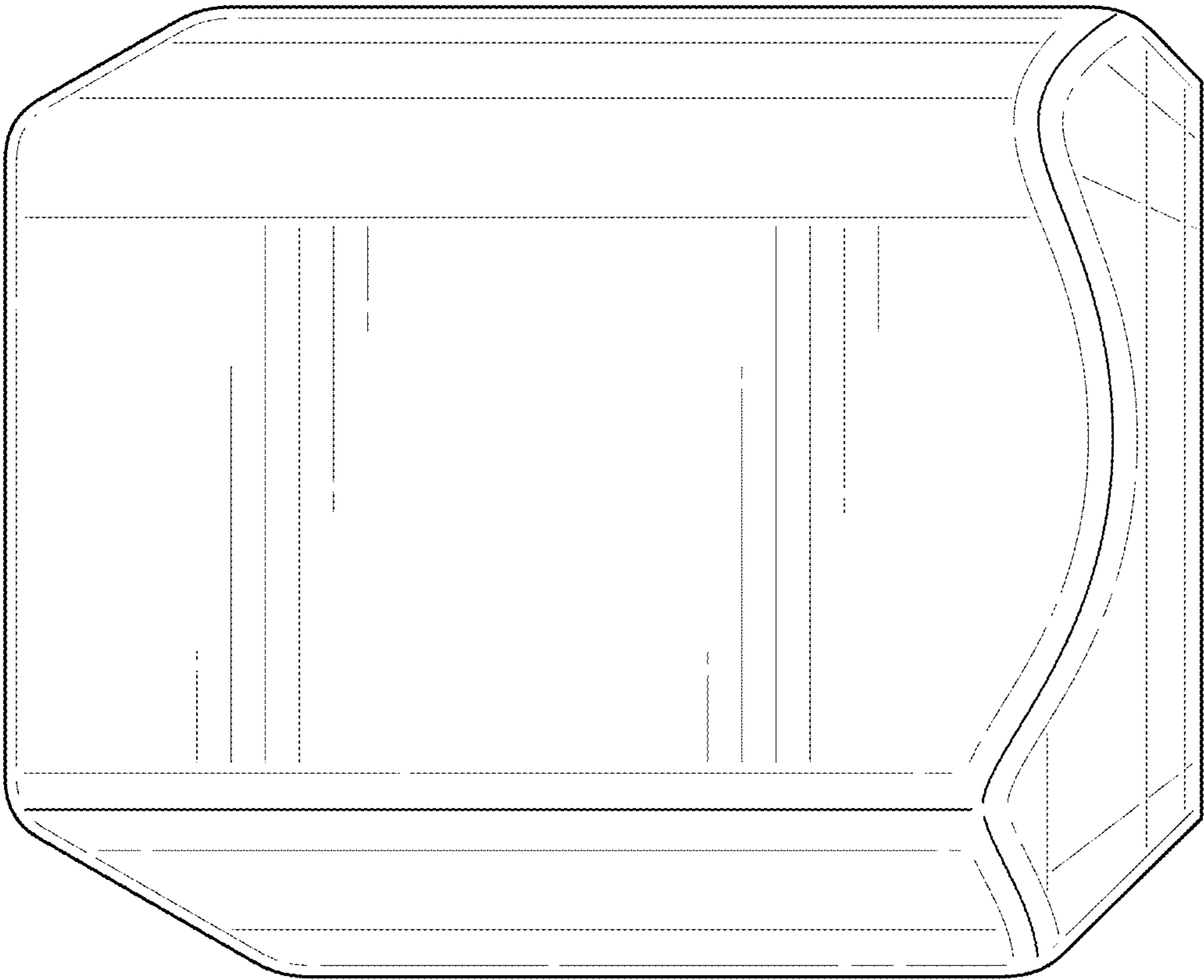
**FIG. 1**



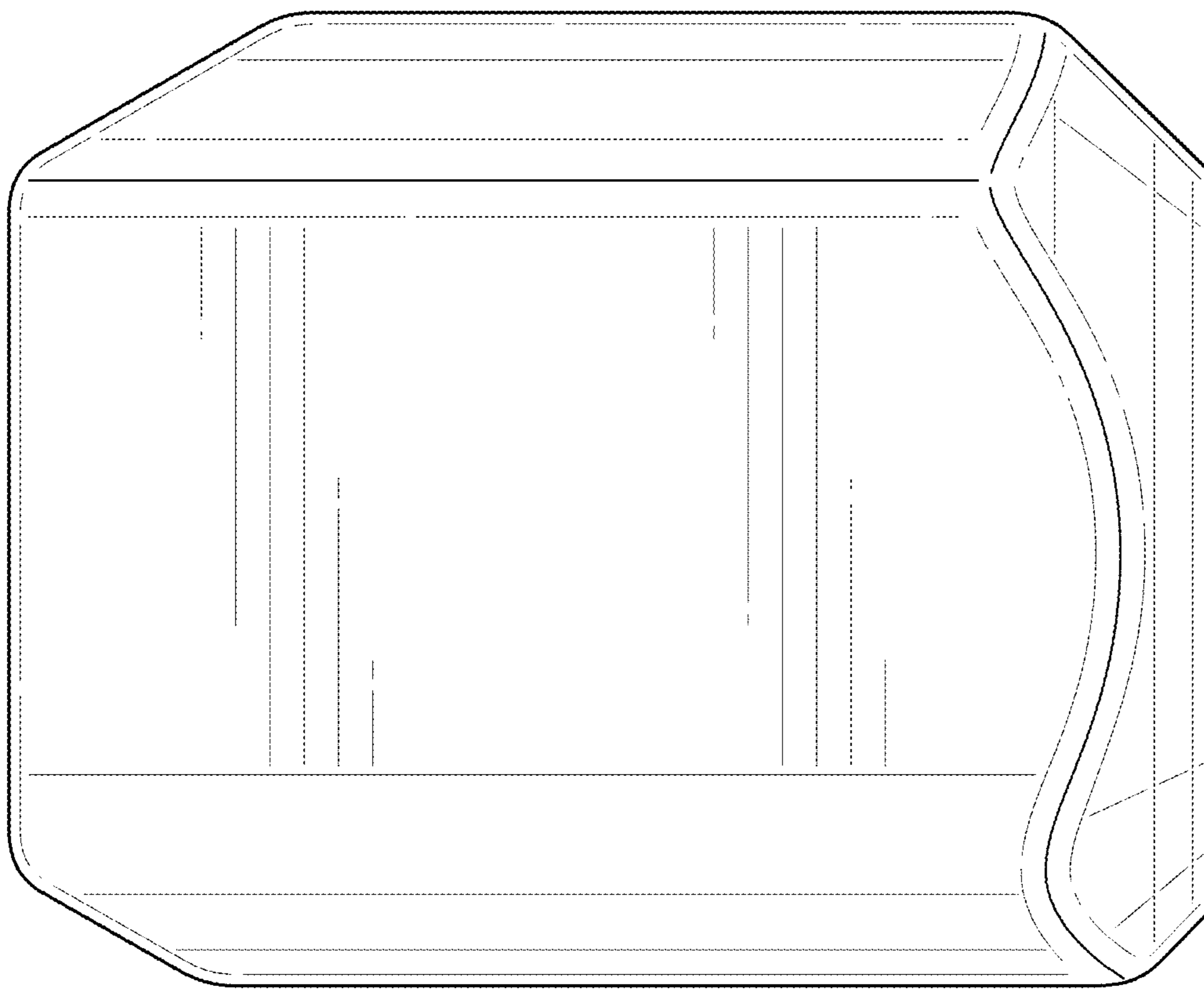
**FIG. 2**



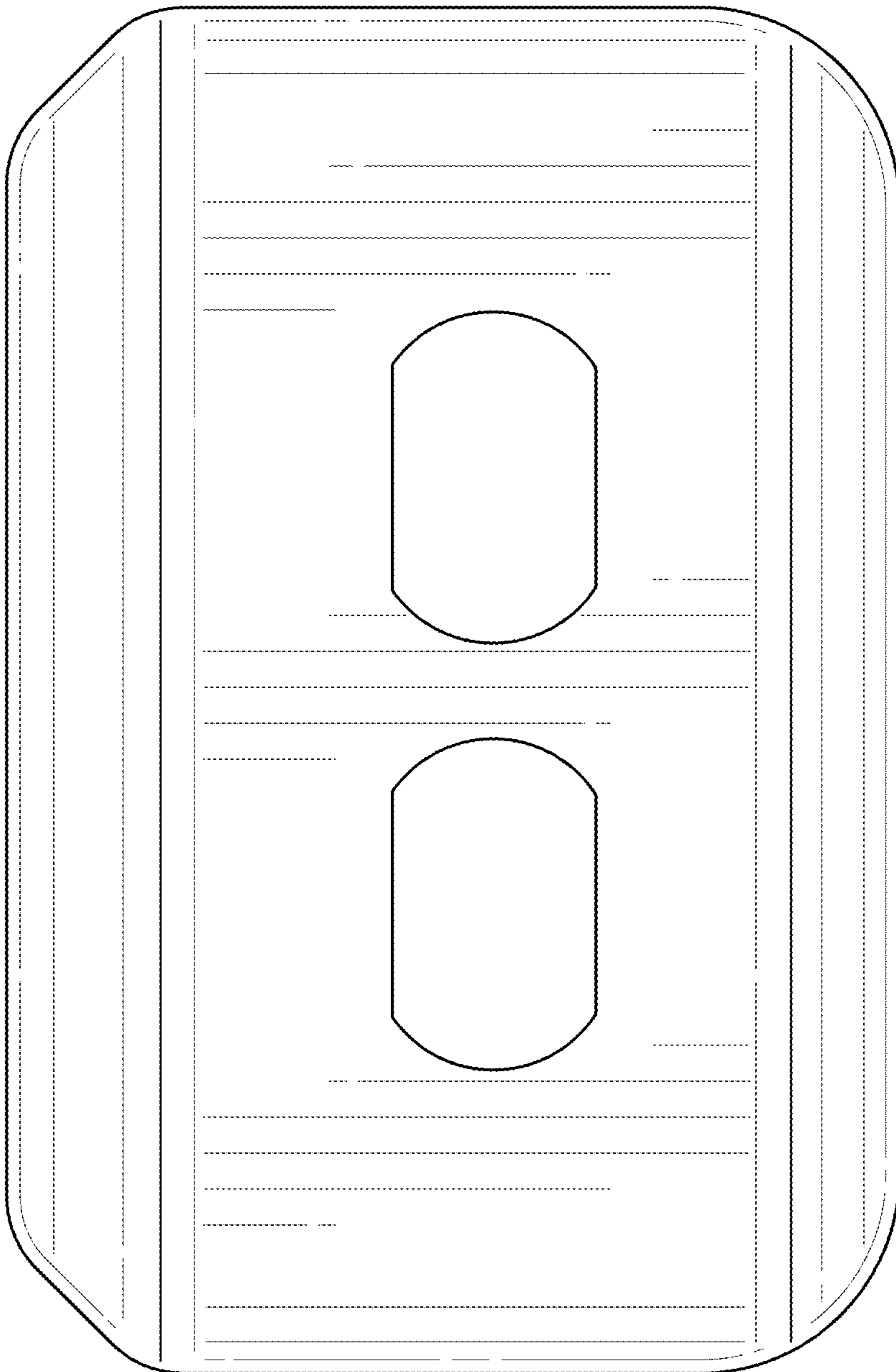
**FIG. 3**



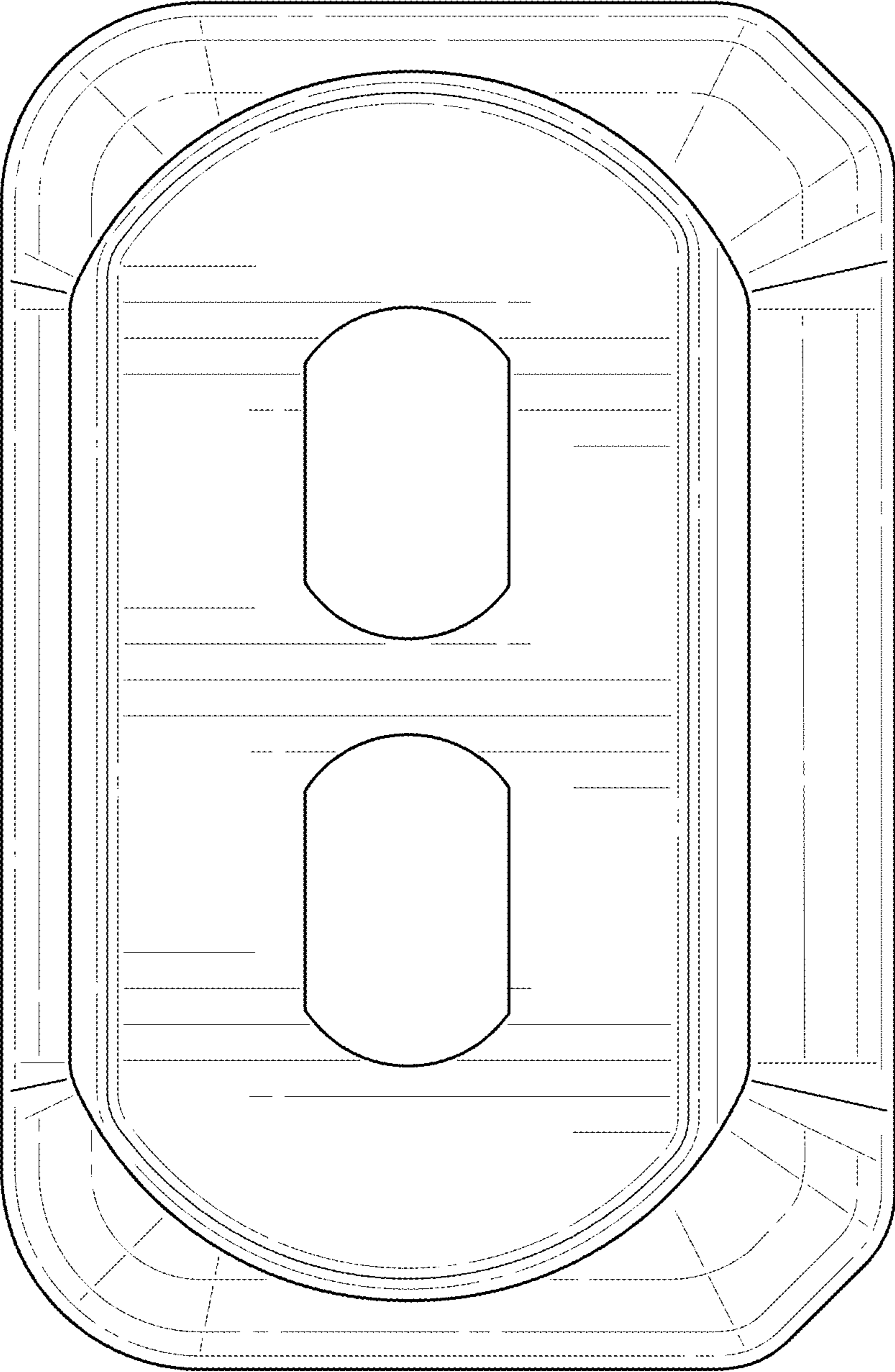
**FIG. 4**



**FIG. 5**



**FIG. 6**



**FIG. 7**