



US00D987887S

(12) **United States Design Patent** (10) **Patent No.:** **US D987,887 S**
Savage et al. (45) **Date of Patent:** **** May 30, 2023**

(54) **HEADLIGHT NACELLE**
(71) Applicant: **Harley-Davidson Motor Company, Inc.**, Milwaukee, WI (US)
(72) Inventors: **Frank Savage**, Trenton, WI (US); **Tyler Kuehne**, Milwaukee, WI (US); **Brad Richards**, Grafton, WI (US); **Brent Ahlers**, Muskego, WI (US); **Dan Schneider**, Franklin, WI (US)

(73) Assignee: **Harley-Davidson Motor Company, Inc.**, Milwaukee, WI (US)

(**) Term: **15 Years**

(21) Appl. No.: **29/780,902**

(22) Filed: **Apr. 27, 2021**

(51) **LOC (14) Cl.** **26-06**

(52) **U.S. Cl.**
USPC **D26/139**

(58) **Field of Classification Search**
USPC D26/28, 29, 30, 31, 32, 33, 34, 35, 36, D26/139; D12/114, 117, 182
CPC F21W 2103/35; F21W 2103/40; F21W 2102/17; F21W 2102/30; F21W 2103/00; F21W 2103/55; F21W 2104/00; F21W 2107/17; F21W 2107/13; F21S 41/00; F21S 41/141; F21S 41/162; F21S 41/18; F21S 41/20; F21S 41/33; F21S 41/36; F21S 41/60; F21S 43/00; F21V 21/04
See application file for complete search history.

(56) **References Cited**

U.S. PATENT DOCUMENTS

3,921,323 A * 11/1975 Petty G09F 21/04 D12/114
D375,568 S * 11/1996 Matthies D26/139
D389,255 S * 1/1998 Nagano D26/28
D409,774 S * 5/1999 Hanlon D26/28
D480,670 S * 10/2003 Hanagan D12/182
D538,213 S * 3/2007 Fukuyama D12/182

D766,135 S 9/2016 Davidson et al.
D850,672 S * 6/2019 McGinley D26/28
D851,296 S 6/2019 McGinley et al.
D862,293 S * 10/2019 McGinley D12/114
D874,695 S * 2/2020 Grabowski D26/28
D895,486 S 9/2020 McGinley et al.
D895,487 S 9/2020 Richrds et al.

(Continued)

OTHER PUBLICATIONS

Harley Davidson, 2017 Ultra Limited First Ride Review, website: <https://www.motorcycle.com/manufacture/harley-davidson/2017-harley-davidson-ultra-limited-first-ride-review.html/attachment/091316-harley-davidson-ultra-limited-0033>, 2017, 2 Pages.

Primary Examiner — Angela J Lee

(74) *Attorney, Agent, or Firm* — Michael Best & Friedrich LLP

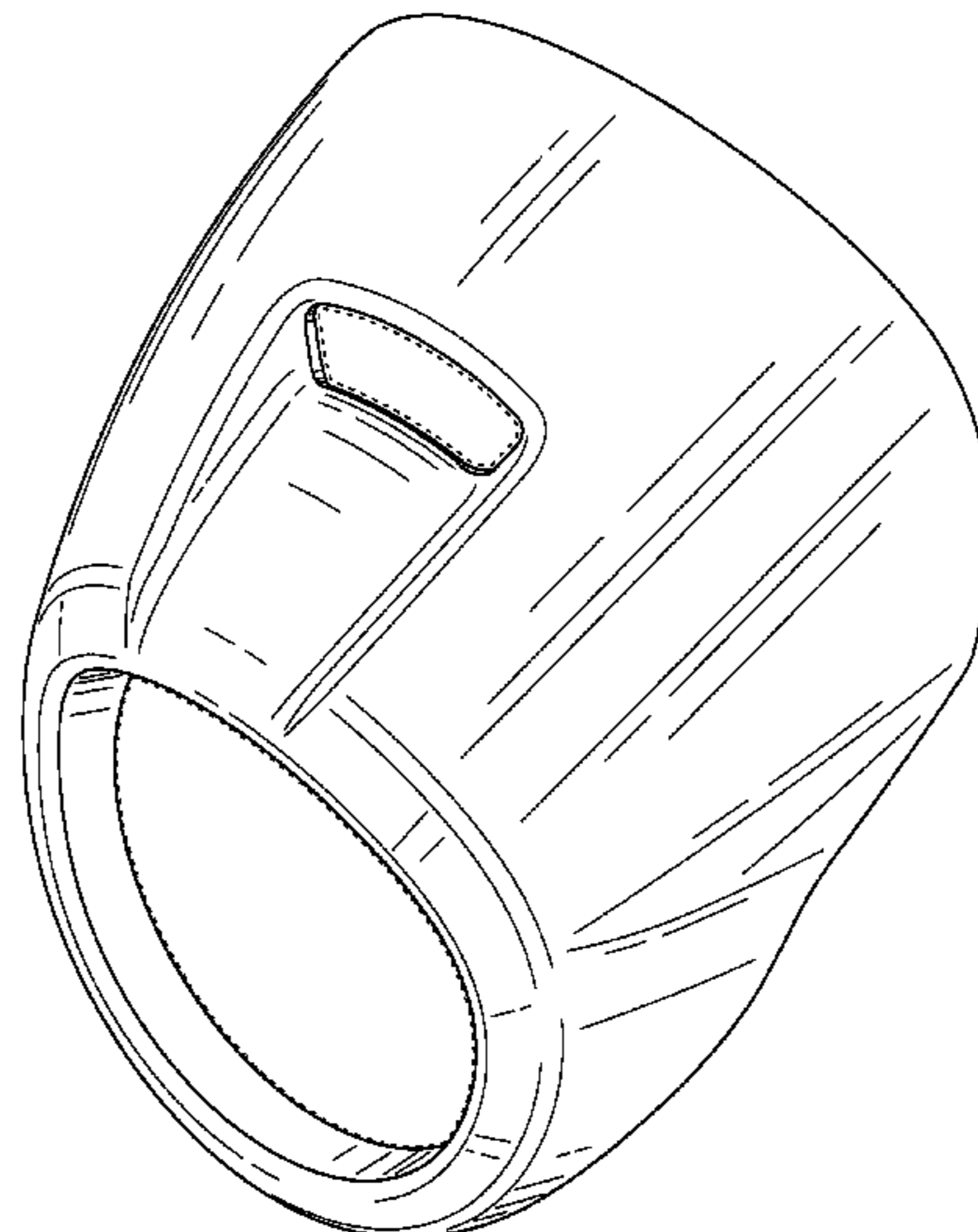
(57) **CLAIM**

We claim the ornamental design for a headlight nacelle, as shown and described.

DESCRIPTION

FIG. 1 is a top front right perspective view of a headlight nacelle;
FIG. 2 is a bottom front left perspective view thereof;
FIG. 3 is a front elevation view thereof;
FIG. 4 is a rear elevation view thereof;
FIG. 5 is a left side elevation view thereof;
FIG. 6 is a right side elevation view thereof;
FIG. 7 is a top plan view thereof;
FIG. 8 is a bottom view thereof; and,
FIG. 9 is a left side elevation view of the headlight nacelle on a motorcycle.
The broken lines in FIGS. 1-4, 7, and 8 define the bounds of the claimed design and form no part thereof. The broken lines in FIG. 9 are for the purpose of illustrating the environment of the headlight nacelle and form no part of the claimed design.

1 Claim, 9 Drawing Sheets



(56)

References Cited

U.S. PATENT DOCUMENTS

D912,861 S * 3/2021 Canepa D26/28
D920,850 S 6/2021 Daniels et al.
D927,746 S * 8/2021 Canepa D26/28

* cited by examiner

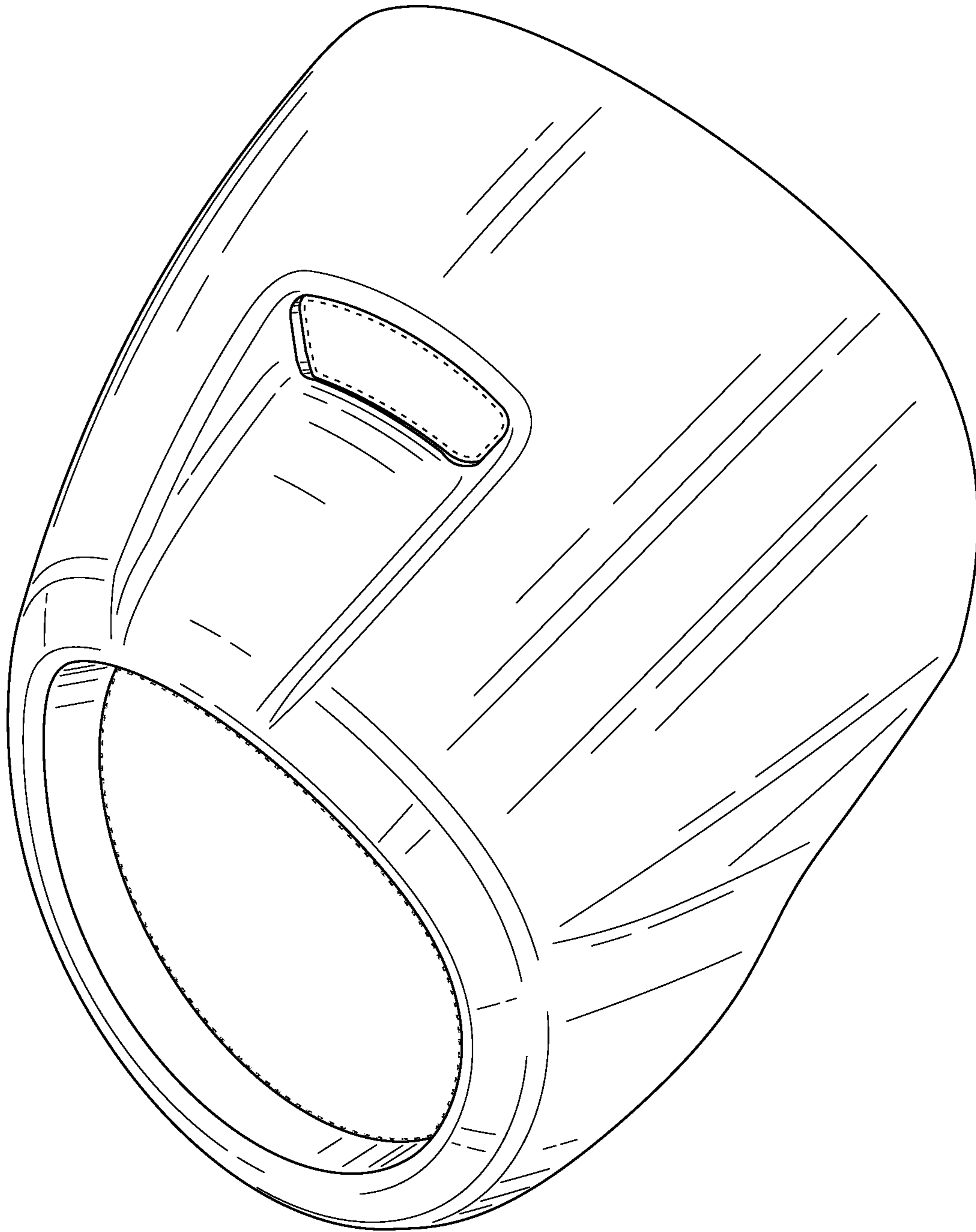


FIG. 1

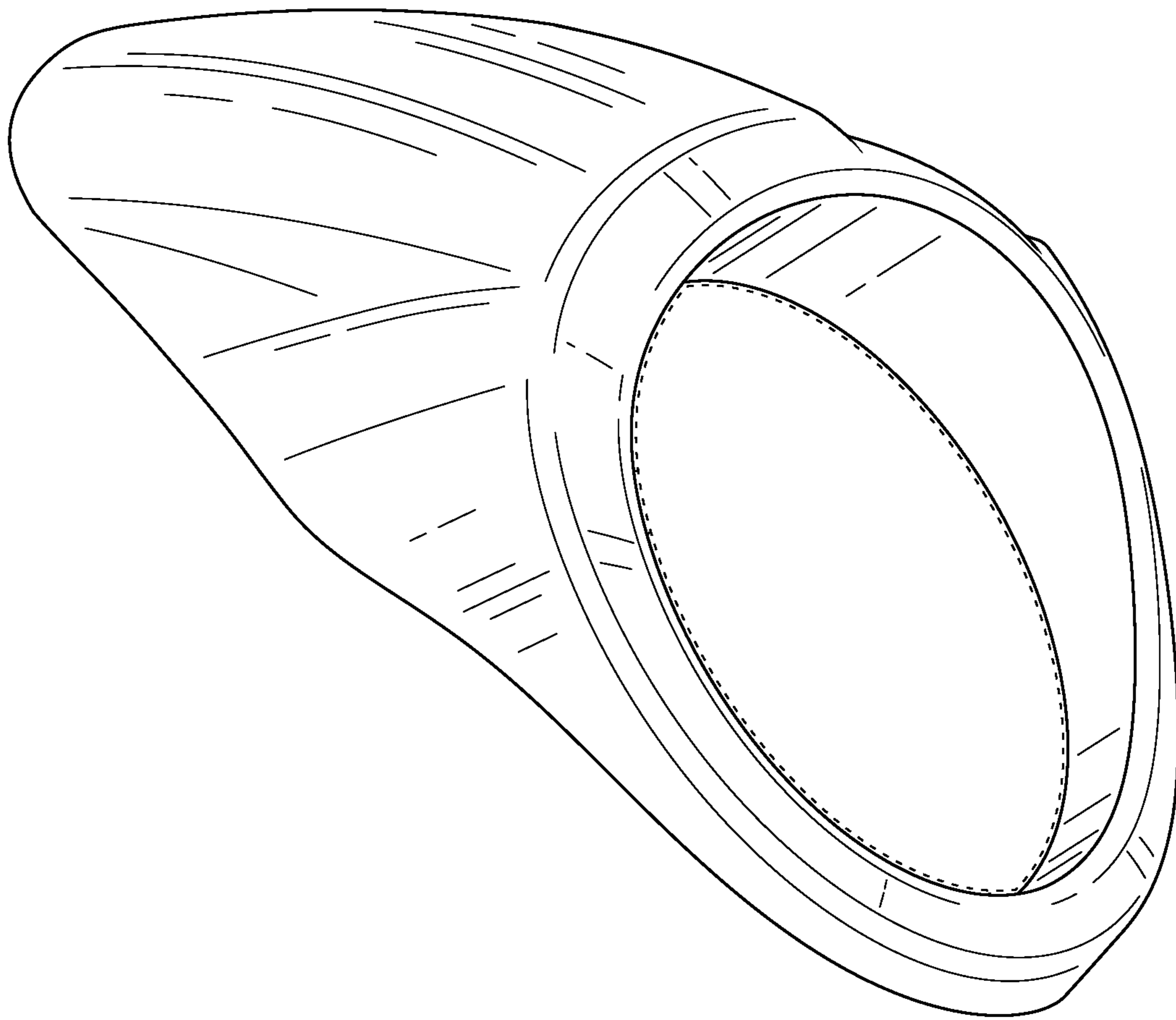


FIG. 2

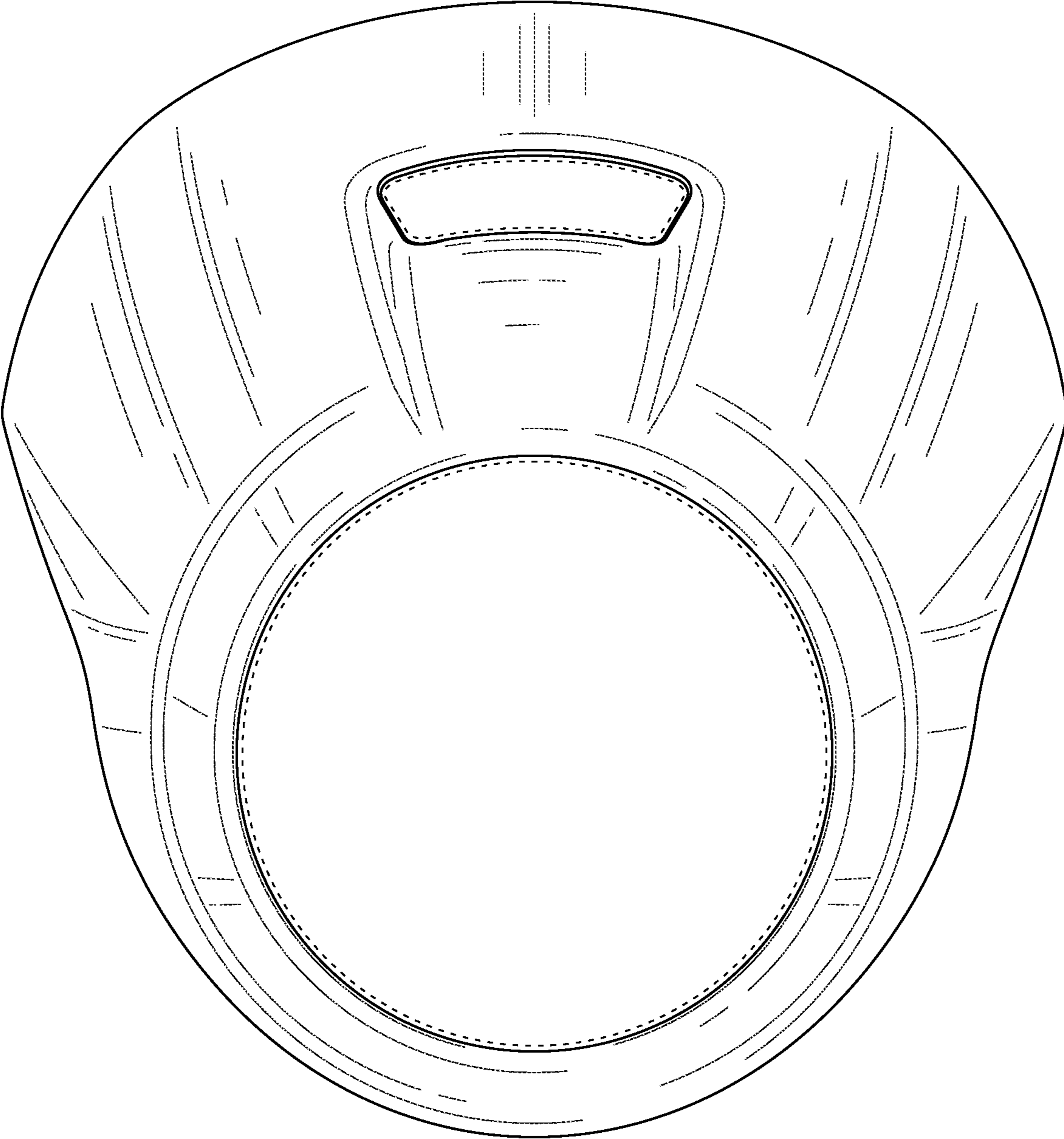


FIG. 3

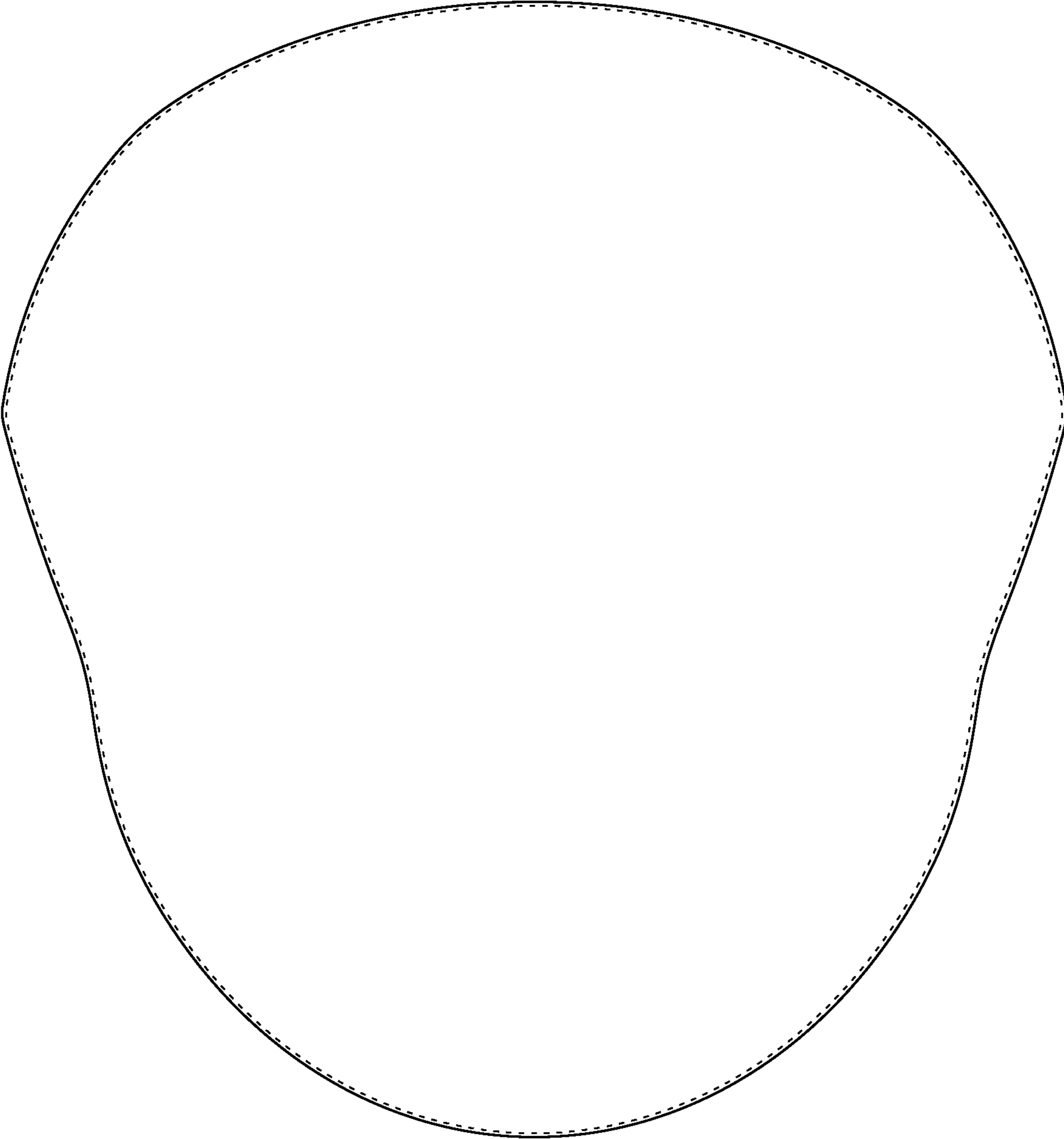


FIG. 4

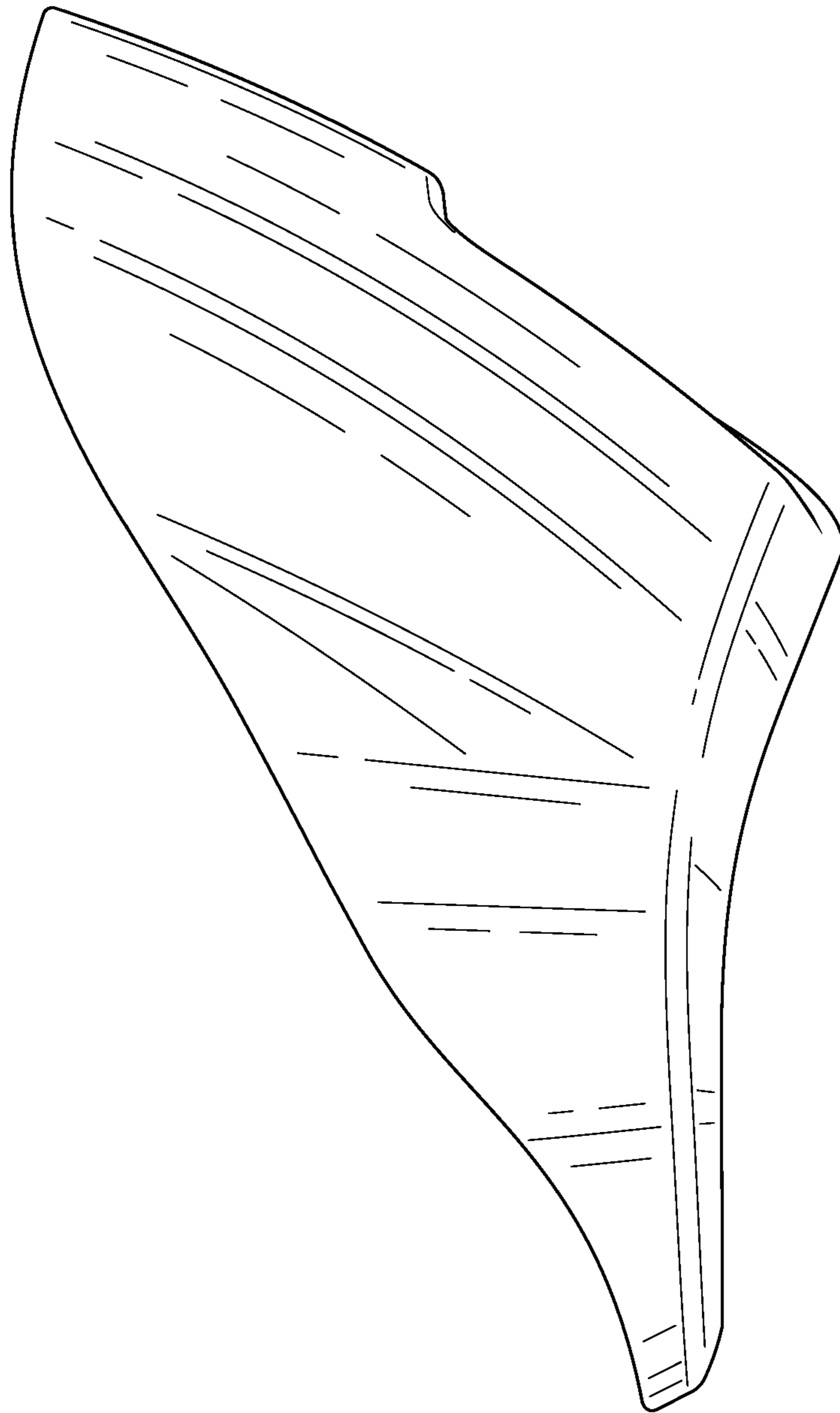


FIG. 5

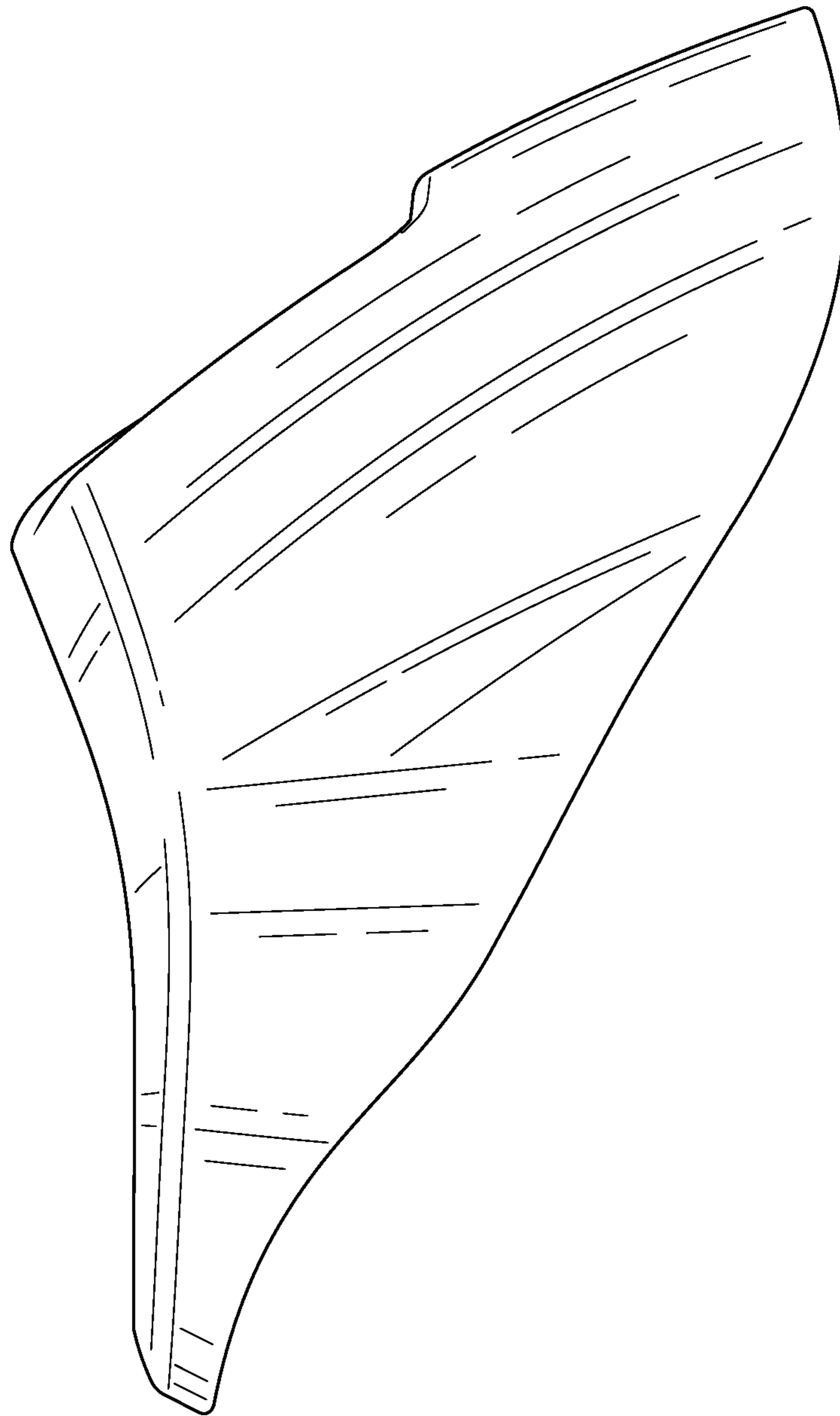


FIG. 6

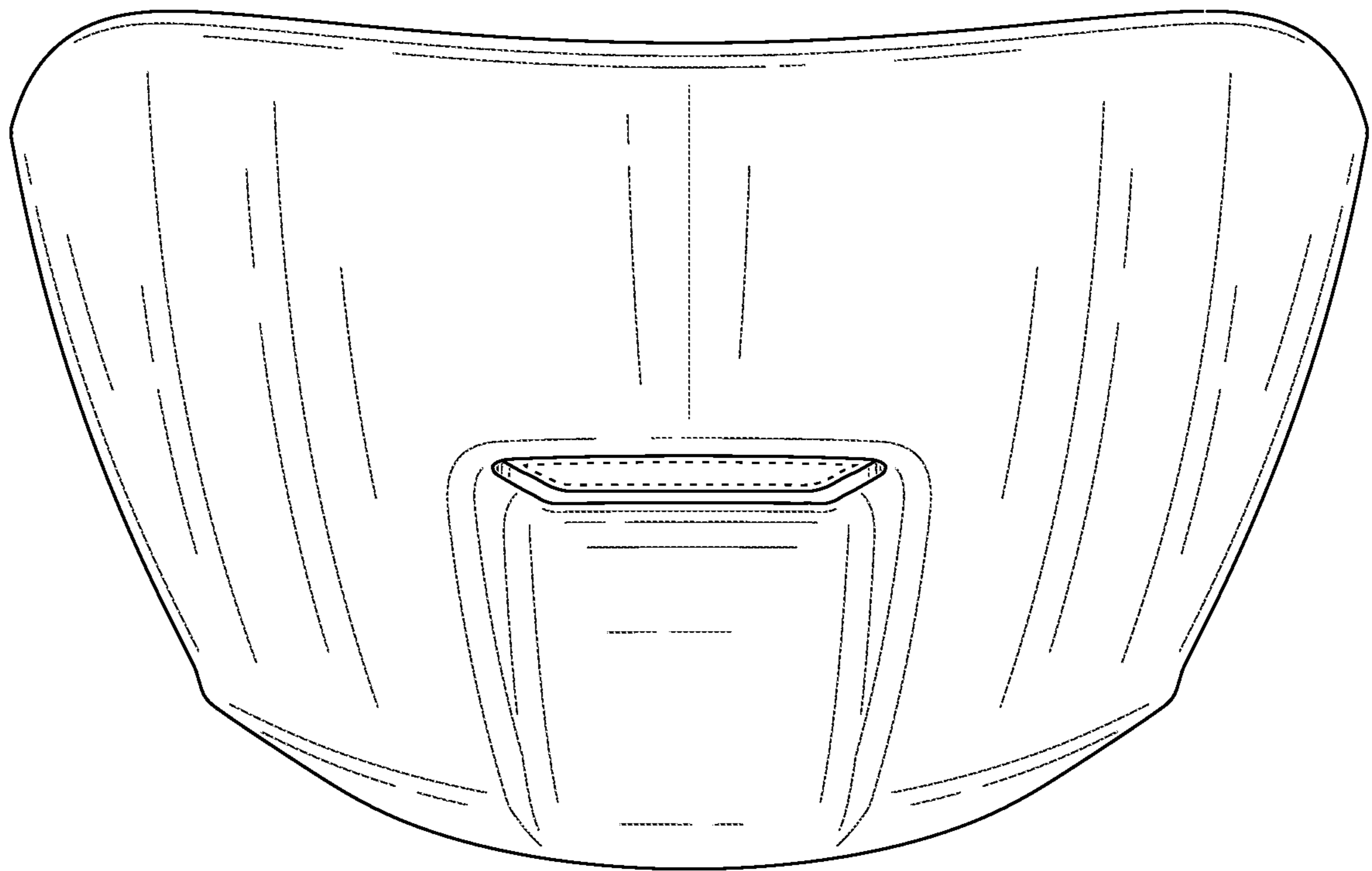


FIG. 7

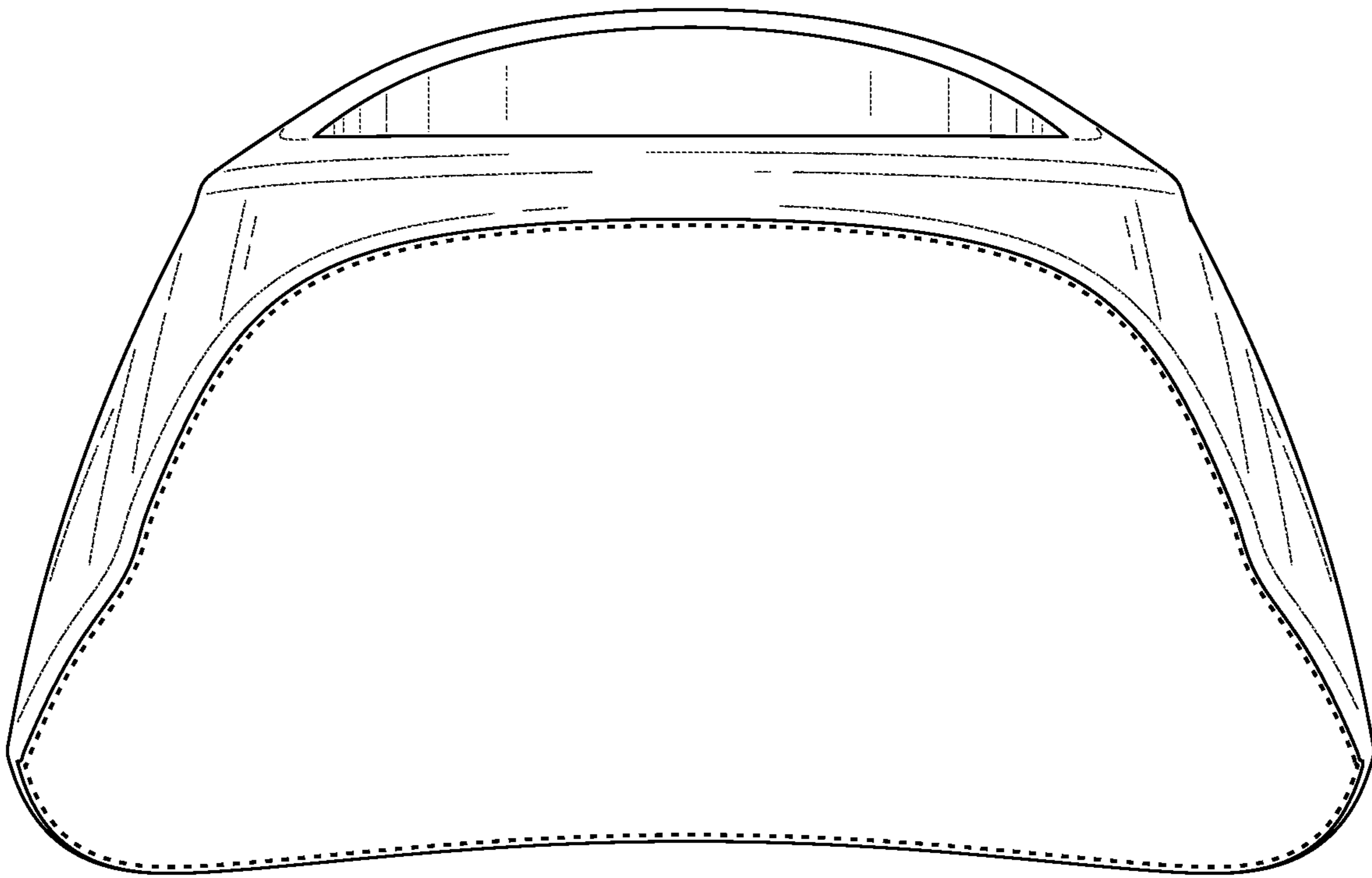


FIG. 8

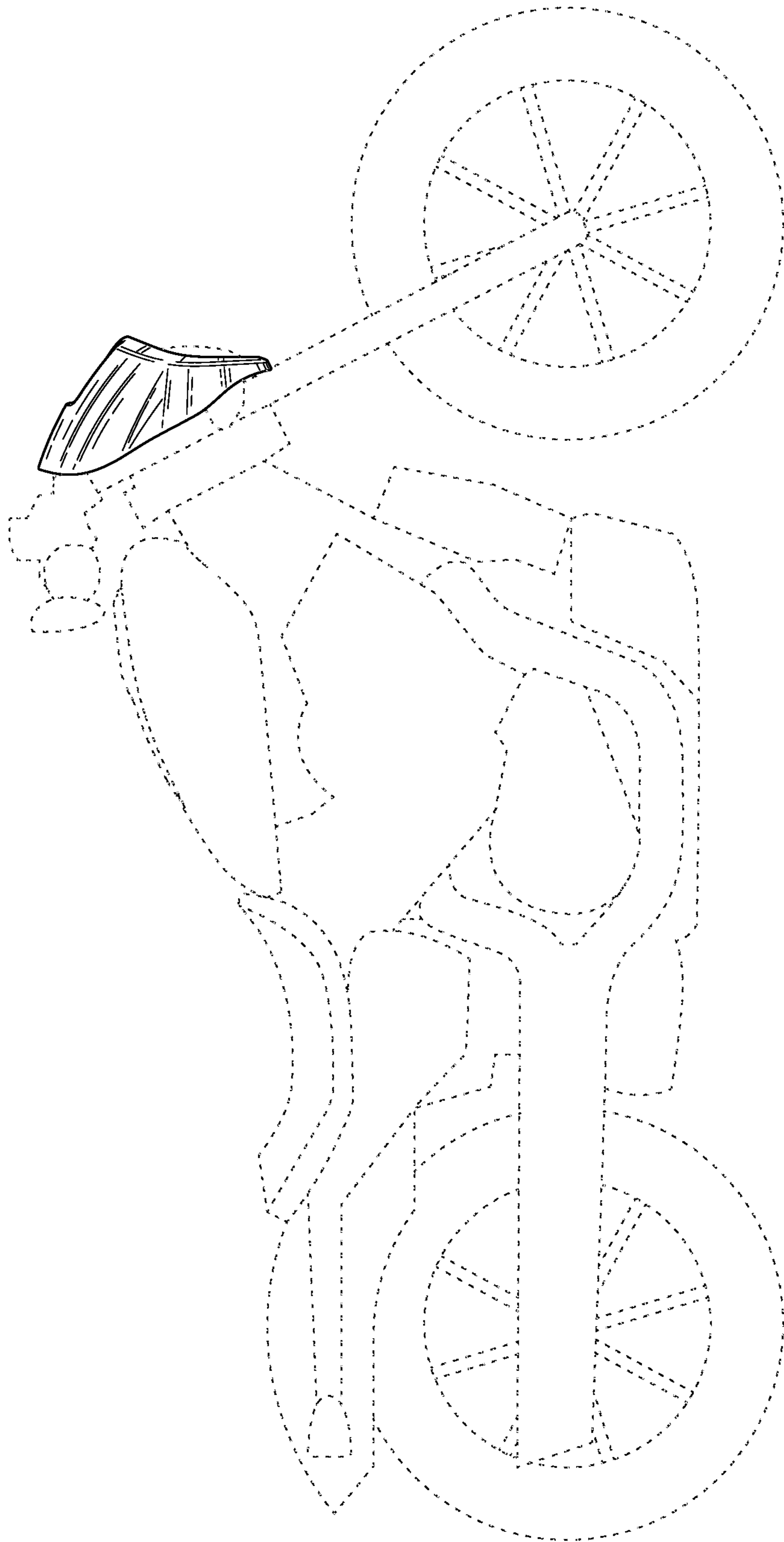


FIG. 9