



US00D987885S

(12) **United States Design Patent**  
**Zheng**

(10) **Patent No.:** **US D987,885 S**

(45) **Date of Patent:** **\*\* May 30, 2023**

(54) **LAMP HOLDER WITH CUP**

(71) Applicant: **Hangzhou Juxing Intelligent Technology Co., Ltd**, Zhejiang (CN)

(72) Inventor: **Hongbing Zheng**, Zhejiang (CN)

(73) Assignee: **Hangzhou Juxing Intelligent Technology Co., Ltd**, Hangzhou (CN)

(\*\*) Term: **15 Years**

(21) Appl. No.: **29/799,954**

(22) Filed: **Jul. 18, 2021**

(30) **Foreign Application Priority Data**

Jun. 22, 2021 (CN) ..... 202130387382.9

(51) **LOC (14) Cl.** ..... **26-05**

(52) **U.S. Cl.**  
USPC ..... **D26/118; D26/25**

(58) **Field of Classification Search**

USPC ..... D10/5, 111, 113.4, 114.1, 114.2, 16;  
D11/24, 25, 34, 89, 90, 132; D26/7, 24,  
D26/32, 34, 35, 38, 47, 51, 57, 69, 72,  
D26/73, 74, 77, 78, 80, 81, 83, 85, 88,  
D26/91, 93, 102, 105, 113, 118, 119, 120,  
D26/125, 138, 25; D30/106

CPC ..... F21V 1/00; F21V 1/02; F21V 3/00; F21V  
7/06; F21V 17/00; F21V 21/02; F21V  
21/04; F21V 21/008; F21V 21/025; F21V  
21/047; F21S 4/00; F21S 4/20; F21S  
6/002; F21S 6/003; F21S 8/00; F21S  
8/03; F21S 8/04; F21S 8/024; F21S  
8/026; F21S 8/031; F21S 8/038; F21S  
8/061; F21S 8/086; F21S 13/02; F21S  
13/12; F21S 4/10; F21W 2111/00; F21W  
2131/10; F21W 2131/3005; F21W  
2121/04; F21Y 2103/20; F21Y 2105/16;  
F21Y 2105/18; F21Y 2115/10; A01G  
7/045; A01G 9/24; A01G 9/249

See application file for complete search history.

(56) **References Cited**

U.S. PATENT DOCUMENTS

612,582	A *	10/1898	Creighton	.....	F21V 17/00 362/379
1,119,455	A *	12/1914	Robbins, Jr.	.....	F21V 17/00 362/437
1,383,663	A *	7/1921	Recker	.....	F21V 17/00 362/437
1,551,921	A *	9/1925	Werner	.....	F21V 17/18 362/437
1,598,696	A *	9/1926	Jacobb	.....	F21V 17/00 362/408

(Continued)

FOREIGN PATENT DOCUMENTS

CN	306901794	*	10/2021
CN	307506434	*	2/2022
EM	015001503	*	10/2022

*Primary Examiner* — Angela J Lee

*Assistant Examiner* — Audris Park

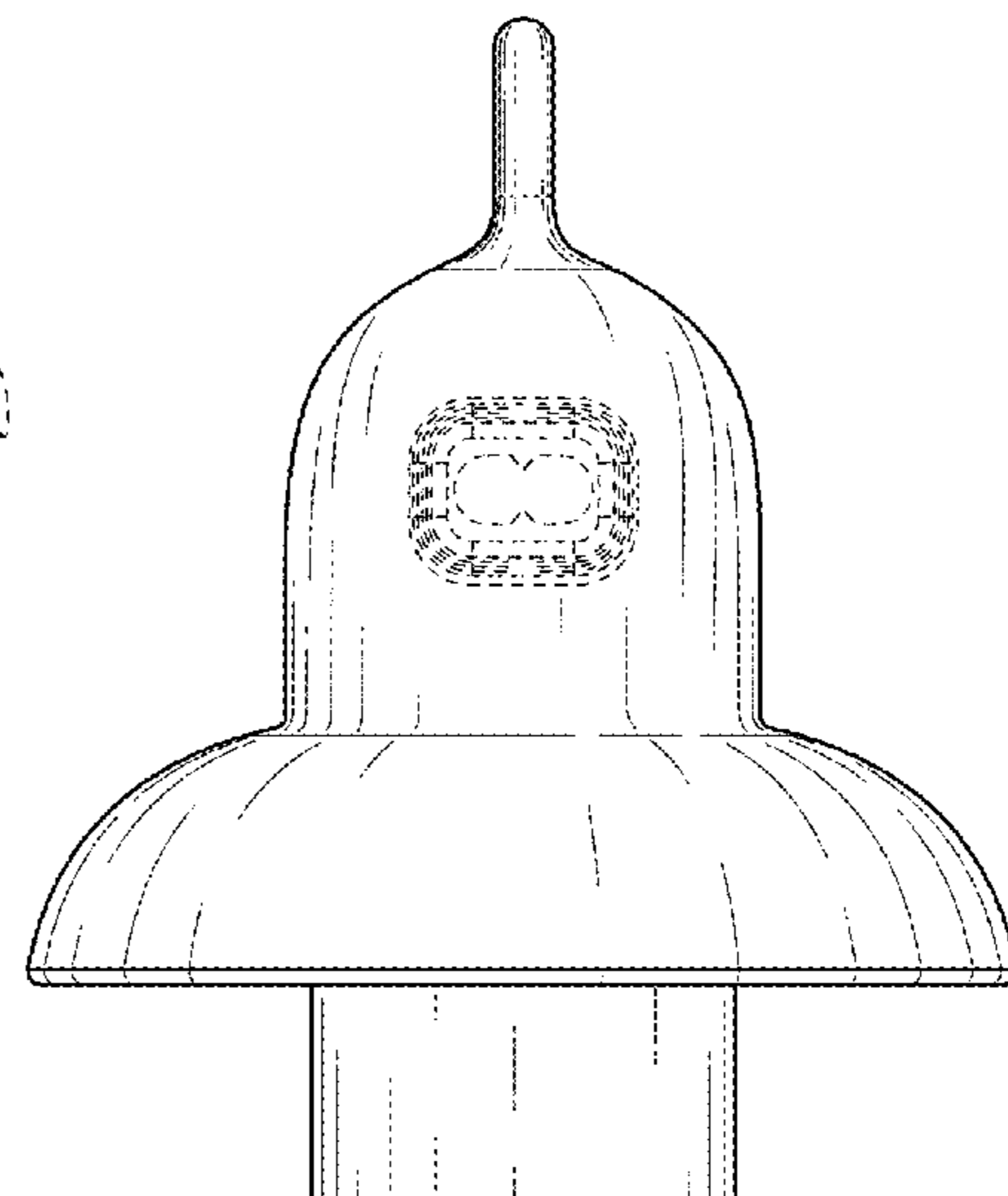
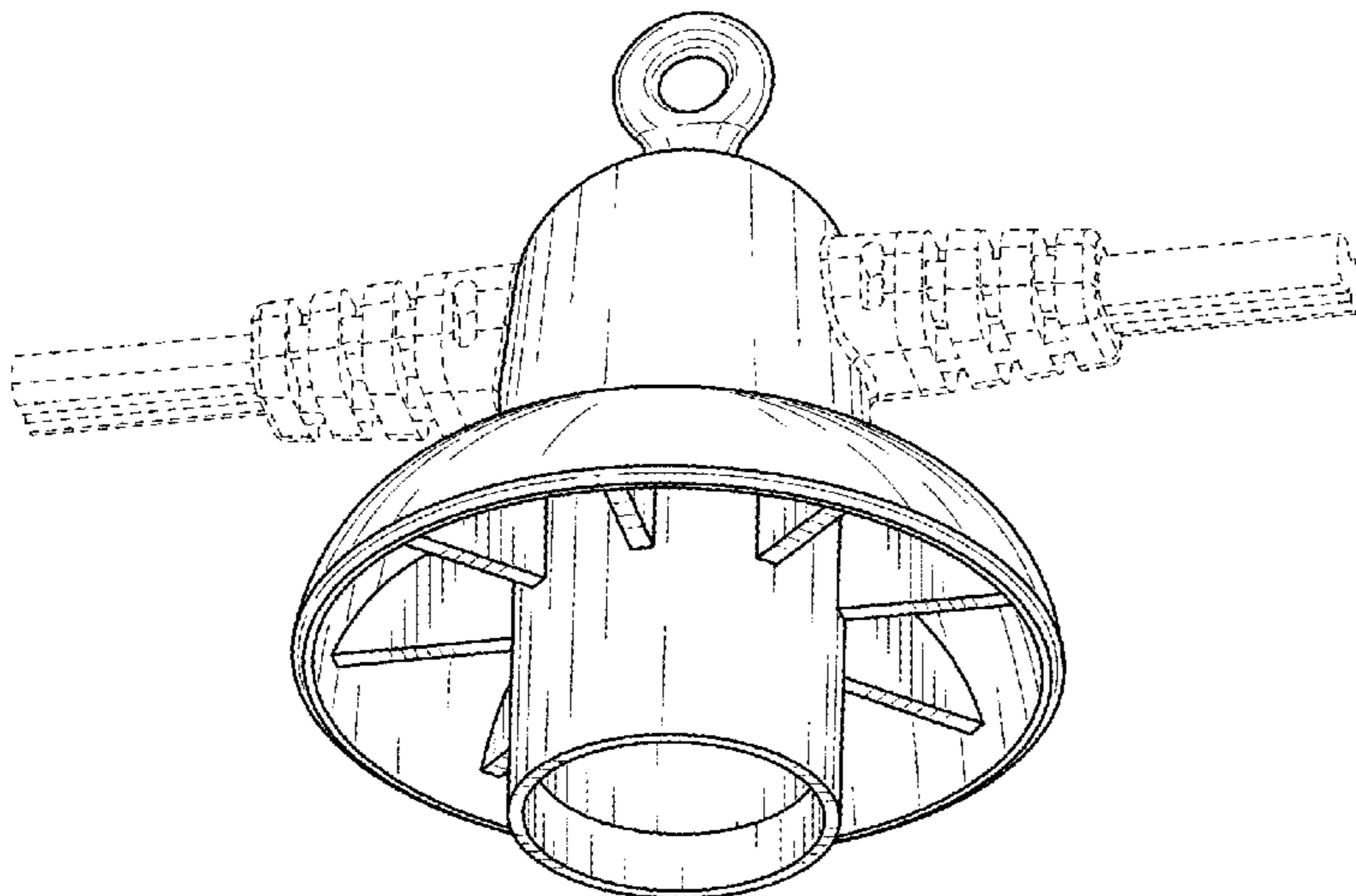
(57) **CLAIM**

The ornamental design for a lamp holder with cup, as shown and described.

**DESCRIPTION**

FIG. 1 is a front, bottom and right side perspective view of a lamp holder with cup showing my new design;  
FIG. 2 is a front elevational view thereof;  
FIG. 3 is a rear elevational view thereof;  
FIG. 4 is a left side view thereof;  
FIG. 5 is a right side view thereof;  
FIG. 6 is a top plan view thereof; and,  
FIG. 7 is a bottom plan view thereof.  
The broken lines in the drawings illustrate portions of the lamp holder with cup which form no part of the claimed design.

**1 Claim, 7 Drawing Sheets**



(56)

**References Cited**

U.S. PATENT DOCUMENTS

1,832,516 A \* 11/1931 Wening ..... F21V 17/16  
362/438  
2,138,635 A \* 11/1938 Hoeveler ..... F21V 11/00  
362/366  
D402,394 S \* 12/1998 Archambault ..... D26/125  
D404,168 S \* 1/1999 Dolan ..... D26/88  
D426,340 S \* 6/2000 Ewing ..... D26/85  
D426,664 S \* 6/2000 Ewing ..... D26/85  
D427,354 S \* 6/2000 Ewing ..... D26/85  
D432,257 S \* 10/2000 Ewing ..... D26/85  
D435,134 S \* 12/2000 Minissi ..... D26/85  
D487,525 S \* 3/2004 Hsu ..... D26/72  
D488,577 S \* 4/2004 Hsu ..... D26/72  
D625,456 S \* 10/2010 Sonneman ..... D26/88  
D627,502 S \* 11/2010 Zheng ..... D26/88  
D676,995 S \* 2/2013 Ho ..... D26/85  
D832,491 S \* 10/2018 Murphy ..... D26/118  
2018/0031416 A1\* 2/2018 Wright ..... F21V 17/12  
2020/0132281 A1\* 4/2020 Huang ..... F21V 21/002

\* cited by examiner

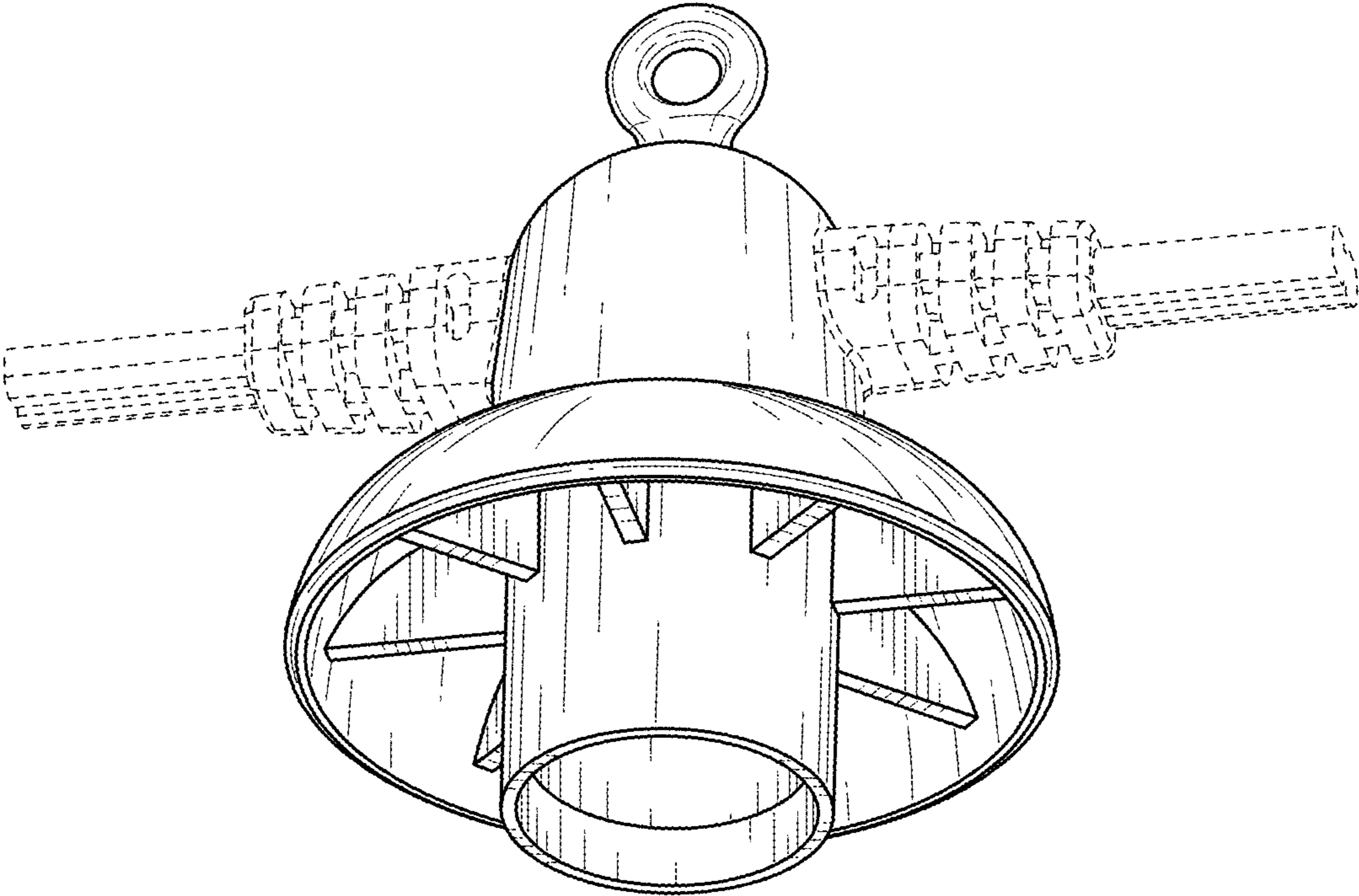


FIG. 1

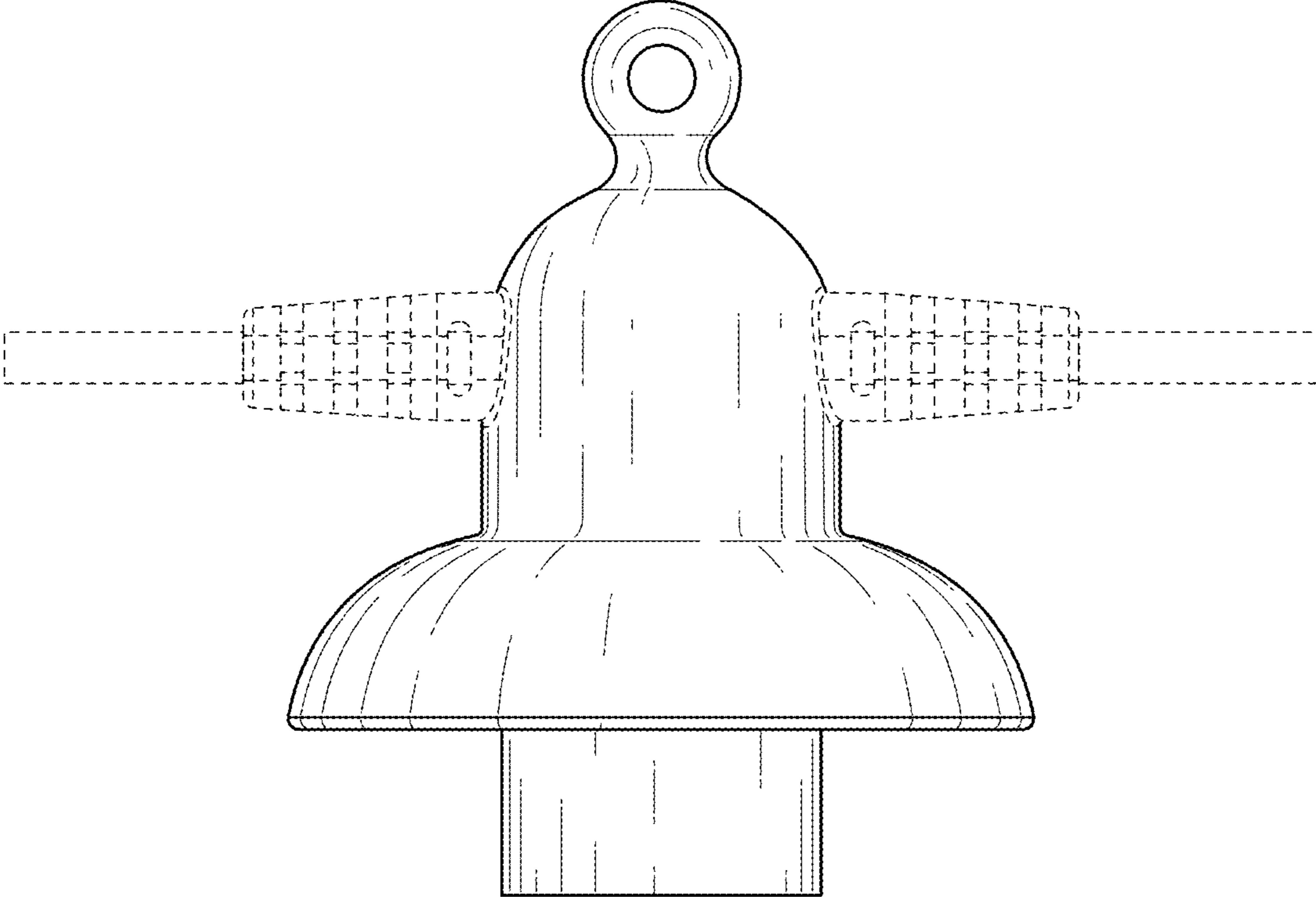


FIG. 2

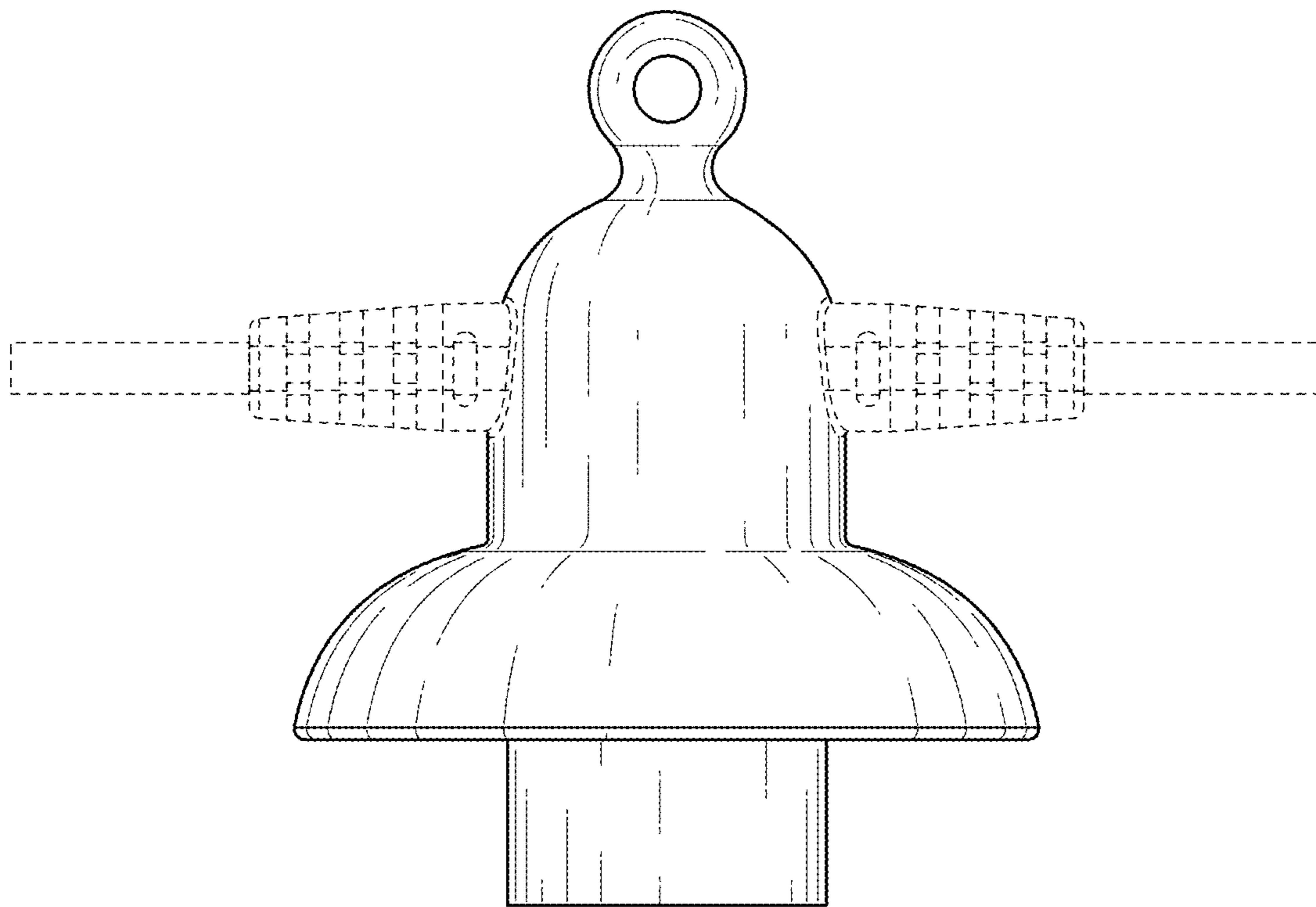


FIG. 3

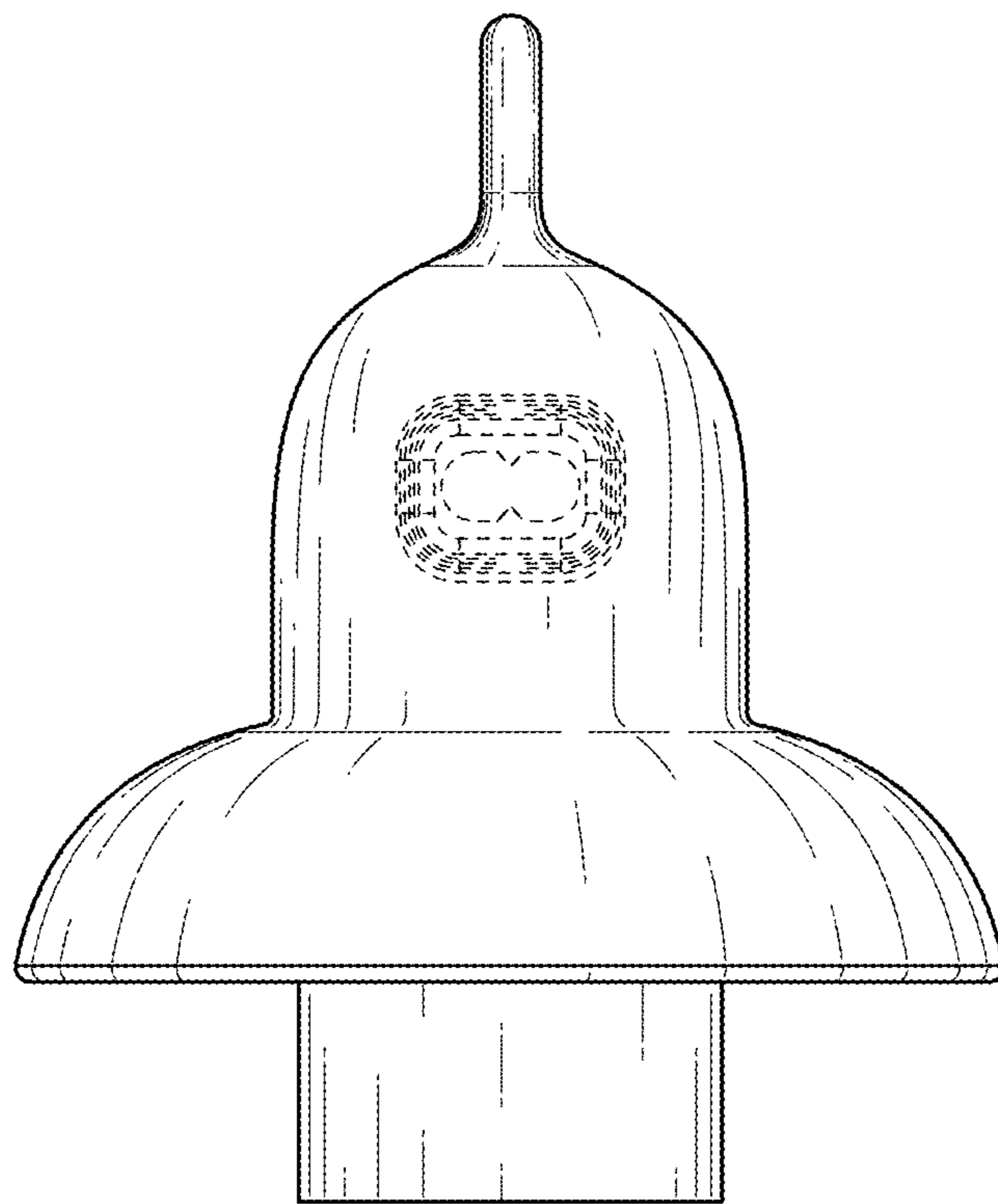


FIG. 4

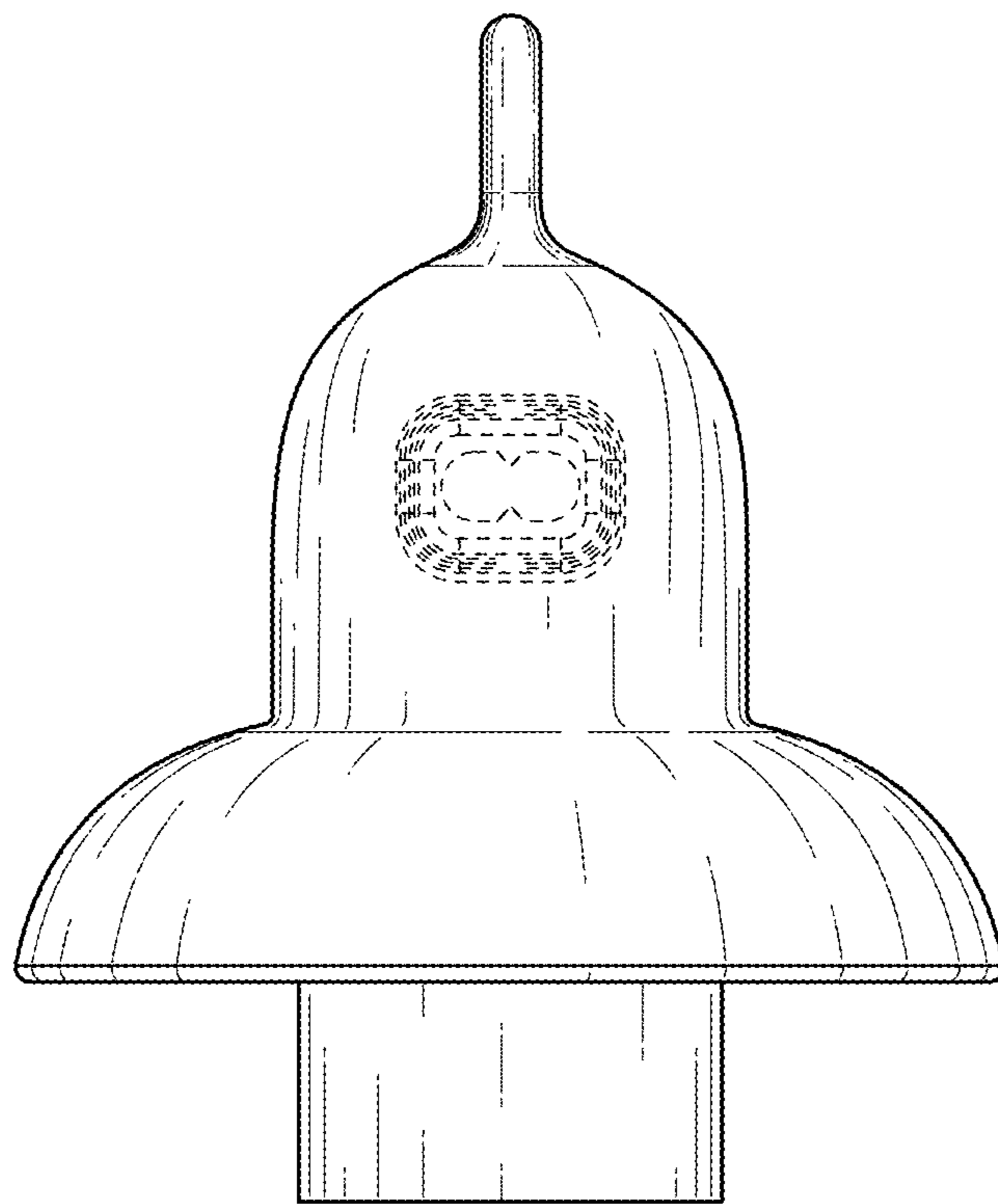


FIG. 5

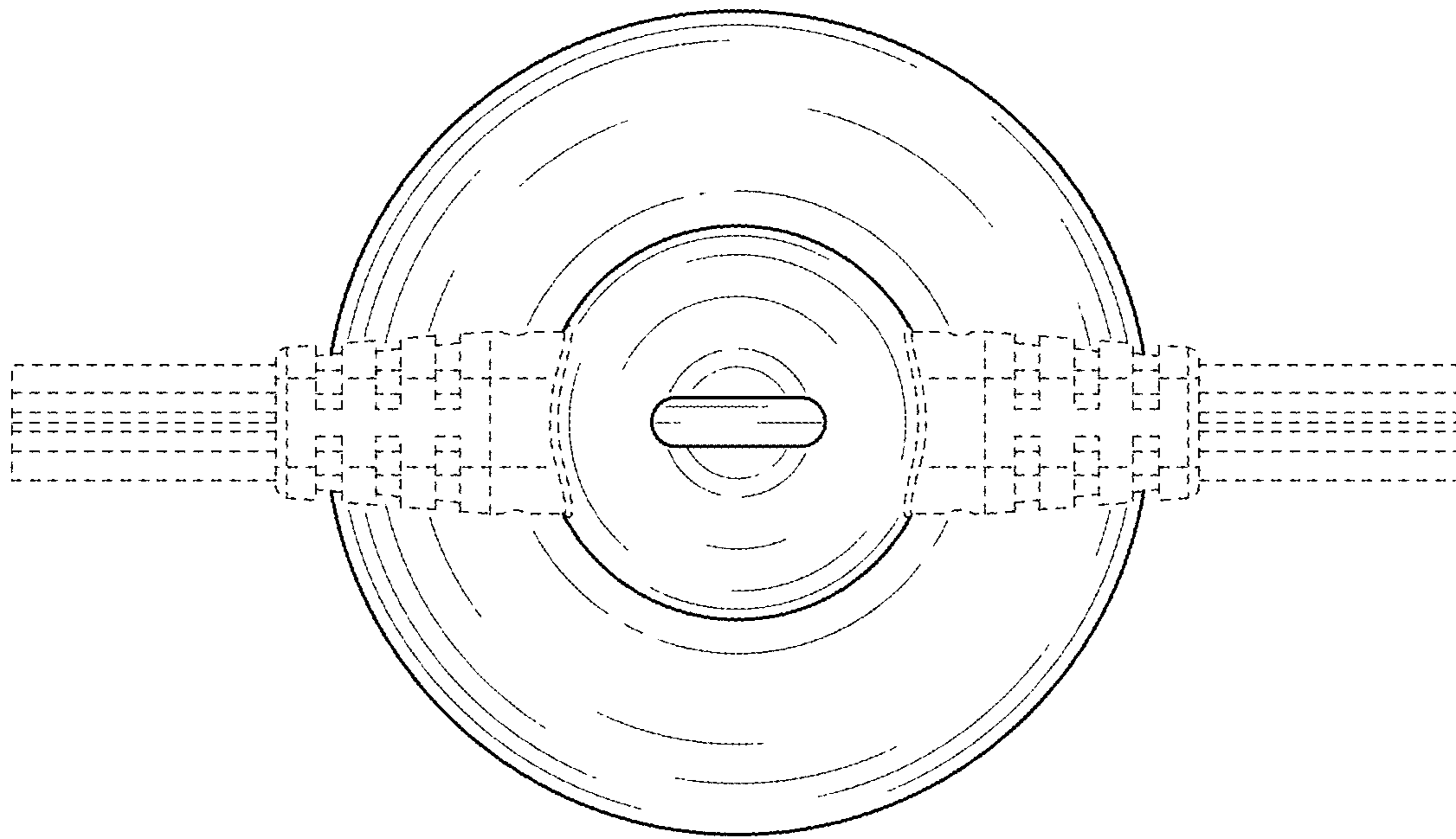


FIG. 6



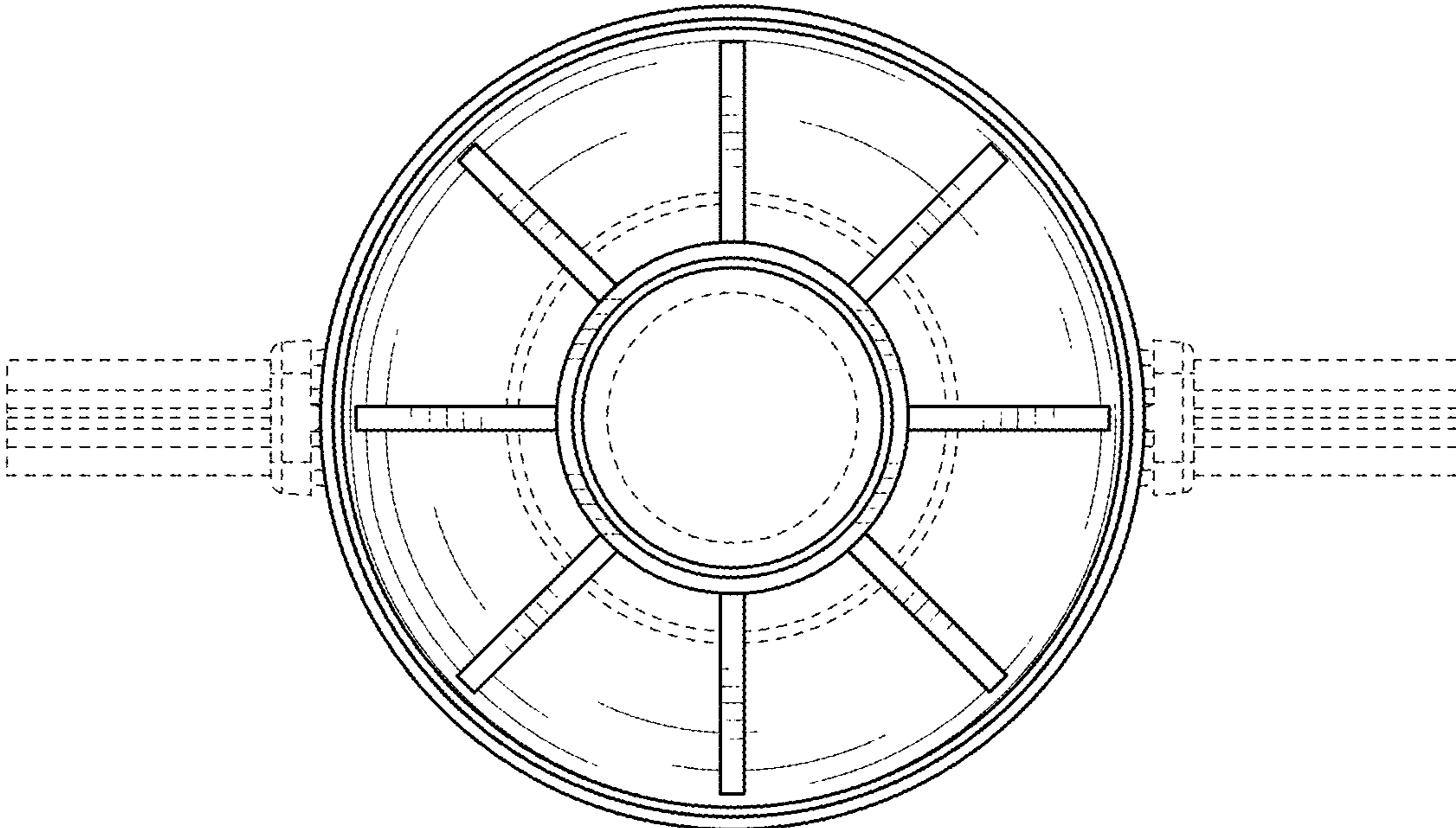


FIG. 7