



US00D987877S

(12) **United States Design Patent**
Hendifar

(10) **Patent No.:** **US D987,877 S**

(45) **Date of Patent:** **** May 30, 2023**

(54) **SCONCE**

(71) Applicant: **Apparatus LLC**, New York, NY (US)

(72) Inventor: **Gabriel Hendifar**, New York, NY (US)

(73) Assignee: **Apparatus LLC**, New York, NY (US)

(**) Term: **15 Years**

(21) Appl. No.: **29/652,840**

(22) Filed: **Dec. 16, 2020**

(51) **LOC (14) Cl.** **26-05**

(52) **U.S. Cl.**
USPC **D26/85**

(58) **Field of Classification Search**
USPC D26/24, 51, 60, 72, 80, 81, 83, 85, 88,
D26/90, 113, 123
CPC F21S 8/06; F21S 8/061; F21S 8/003; F21S
8/00; F21S 8/065; F21S 8/04; F21S 8/068
See application file for complete search history.

(56) **References Cited**

U.S. PATENT DOCUMENTS

D231,679 S *	5/1974	Keller	D26/87
D237,533 S *	11/1975	Gandini	D26/87
5,251,118 A *	10/1993	Budnovitch	F21V 21/116 362/453
D378,621 S *	3/1997	Landefeld	D26/85
D385,054 S *	10/1997	Landefeld	D26/85
D390,999 S *	2/1998	Gaskins	D26/85
D393,093 S *	3/1998	Fiorato	D26/85
D393,095 S *	3/1998	Fiorato	D26/85
D404,163 S *	1/1999	Littman	D26/85
D412,040 S *	7/1999	Hudak	D26/85
D422,373 S *	4/2000	Tihany	D26/85
D482,486 S *	11/2003	Demers	D26/85
D545,478 S *	6/2007	Morgan	D26/85
D634,053 S *	3/2011	Guercio	D26/89
D639,996 S *	6/2011	Stolte	D26/89
D774,237 S *	12/2016	Stolte	D26/92
D796,109 S *	8/2017	Sonneman	D26/87

D820,501 S *	6/2018	Amato	D26/88
10,352,549 B2 *	7/2019	Stolte	F21V 29/504
D868,340 S *	11/2019	Richardson	D26/85
D870,352 S *	12/2019	Arola	D26/88
D870,354 S *	12/2019	Arola	D26/88

(Continued)

FOREIGN PATENT DOCUMENTS

GB 6120602 * 2/2021

OTHER PUBLICATIONS

Wall Lights, posted at Amazon, date first available Sep. 20, 2019. Site visited Feb. 16, 2023. Available from internet, URL: <https://www.amazon.com/Happy-shopping-Staircase-Background-Decorative-dp/B07Y58LW57> (Year: 2019).*

(Continued)

Primary Examiner — Samantha Wood
Assistant Examiner — Vanessa Martinez
(74) *Attorney, Agent, or Firm* — Gottlieb, Rackman & Reisman P.C.

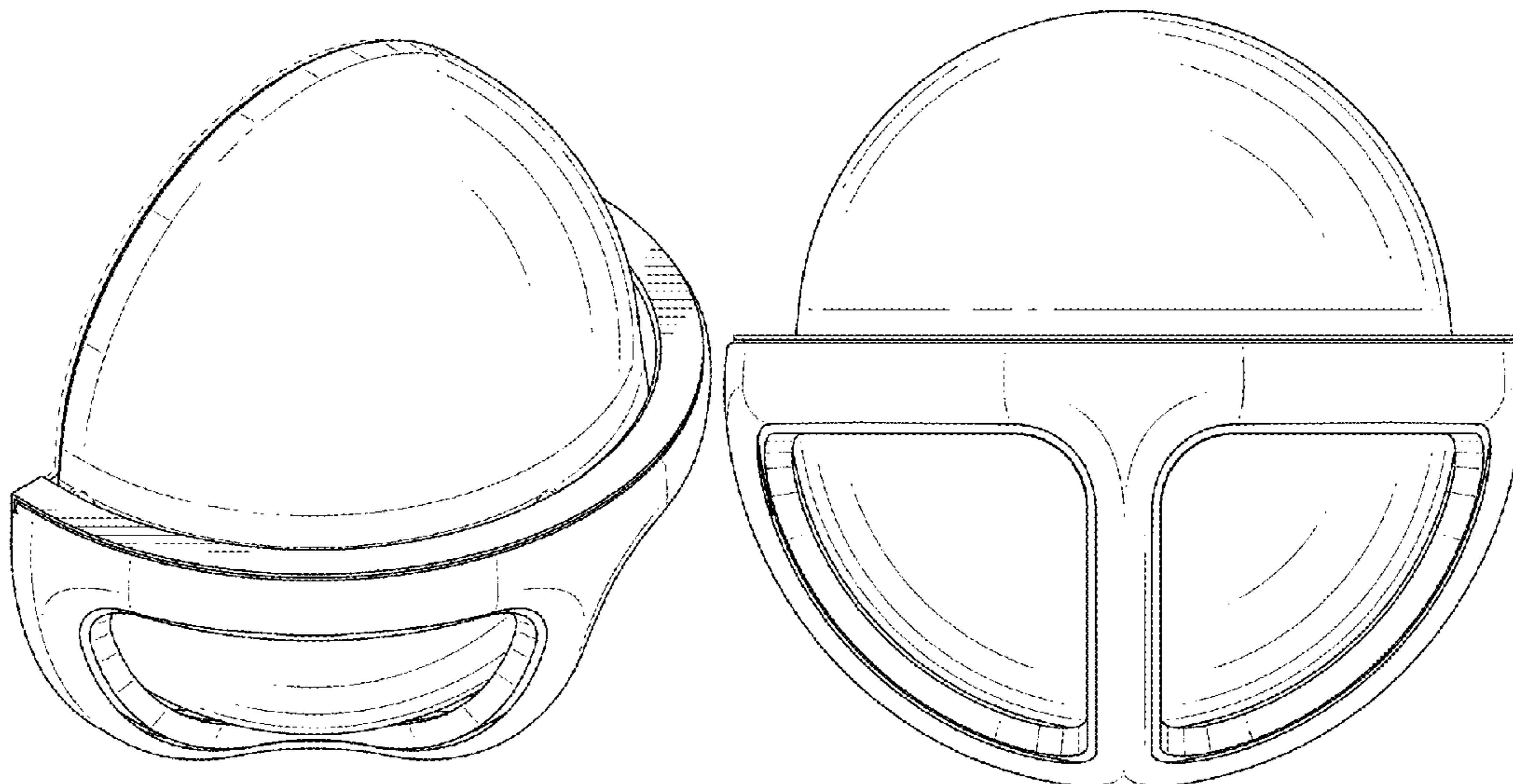
(57) **CLAIM**

The ornamental design for a sconce, as shown and described.

DESCRIPTION

FIG. 1 is a front top perspective view of a sconce showing my new design;
FIG. 2 is a front elevational view thereof;
FIG. 3 is a rear elevational view thereof;
FIG. 4 is a left side elevational view thereof;
FIG. 5 is a right side elevational view thereof;
FIG. 6 is a top plan view thereof; and,
FIG. 7 is a bottom plan view thereof.
The broken lines shown in the drawings are included for the purpose of illustrating elements of the sconce that form no part of the claimed design.

1 Claim, 4 Drawing Sheets



(56)

References Cited

U.S. PATENT DOCUMENTS

D959,046 S * 7/2022 Hendifar D26/110
D963,918 S * 9/2022 Hendifar D26/88
D963,919 S * 9/2022 Hendifar D26/88
D963,920 S * 9/2022 Hendifar D26/89

OTHER PUBLICATIONS

Modern Wall Sconce, posted at Amazon, date first available Mar. 12, 2019. Site visited Feb. 16, 2023. Available from internet, URL: https://www.amazon.com/dp/B07PQGSVSQ?ref_=cm_sw_r_cp_ud_dp_DPYMJ6P3H8HSV44KPQ3D (Year: 2018).*

Scott Lamp, Model 6281, posted at scottlamp. Site visited Feb. 16, 2023. Available from internet, URL: <https://www.scottlamp.com/products/6281/> (Year: 2023).*

Apparatus Reprise Sconce, posted at Garde. Site visited Apr. 3, 2023. Available from internet, URL: <https://gardeshop.com/products/apparatus-reprise-sconce> (Year: 2023).*

* cited by examiner

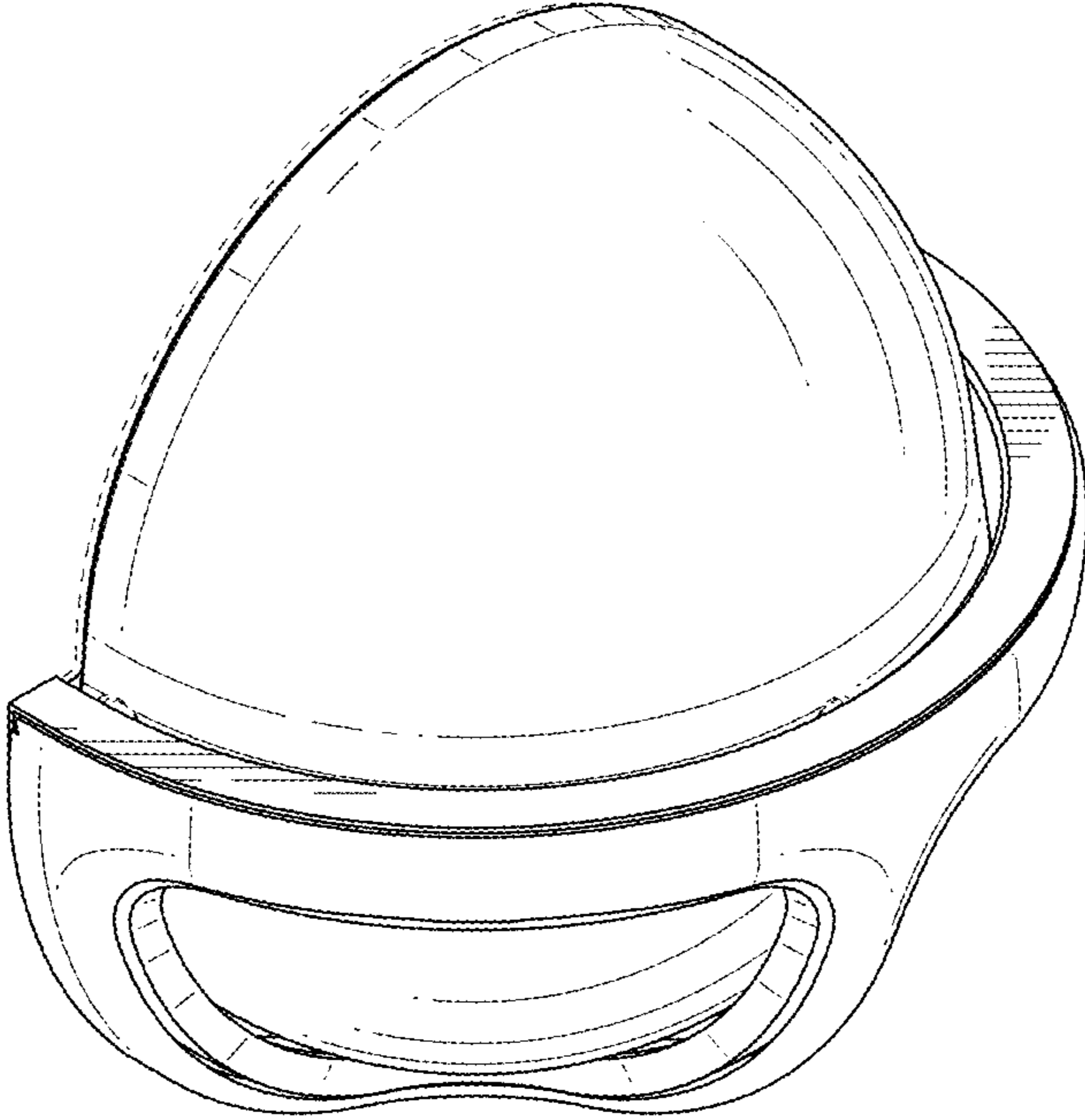


FIG. 1

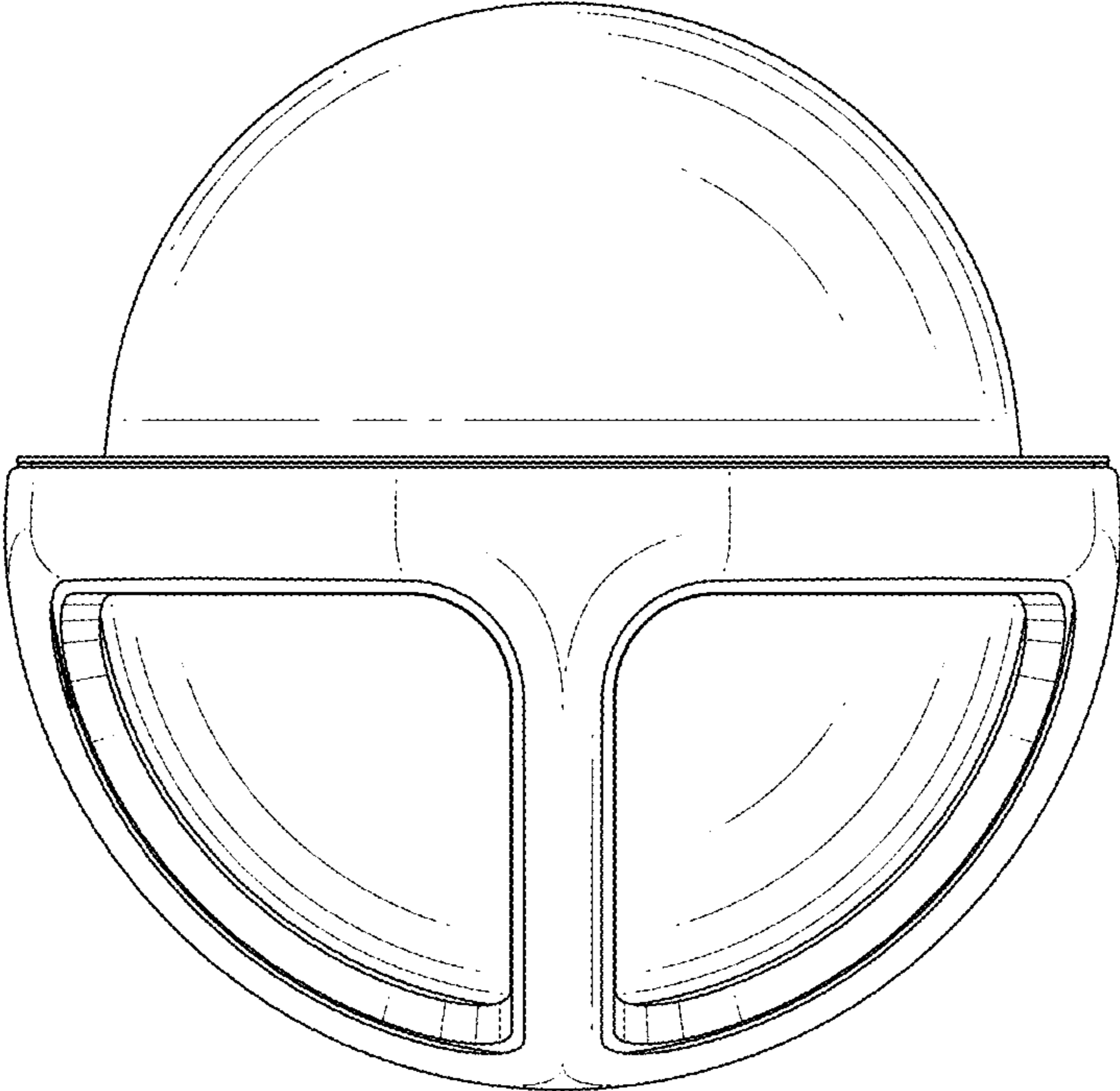


FIG. 2

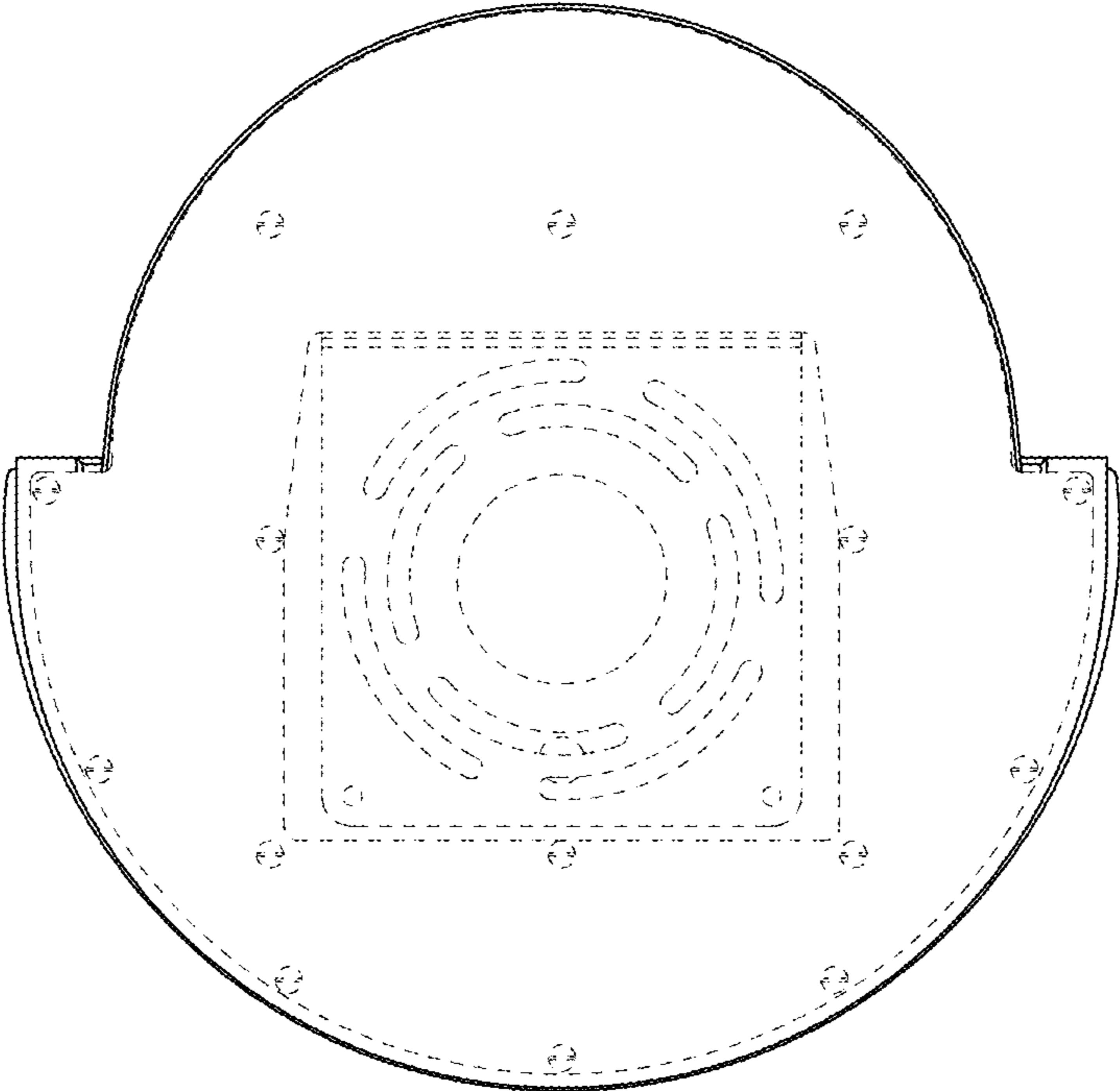


FIG. 3

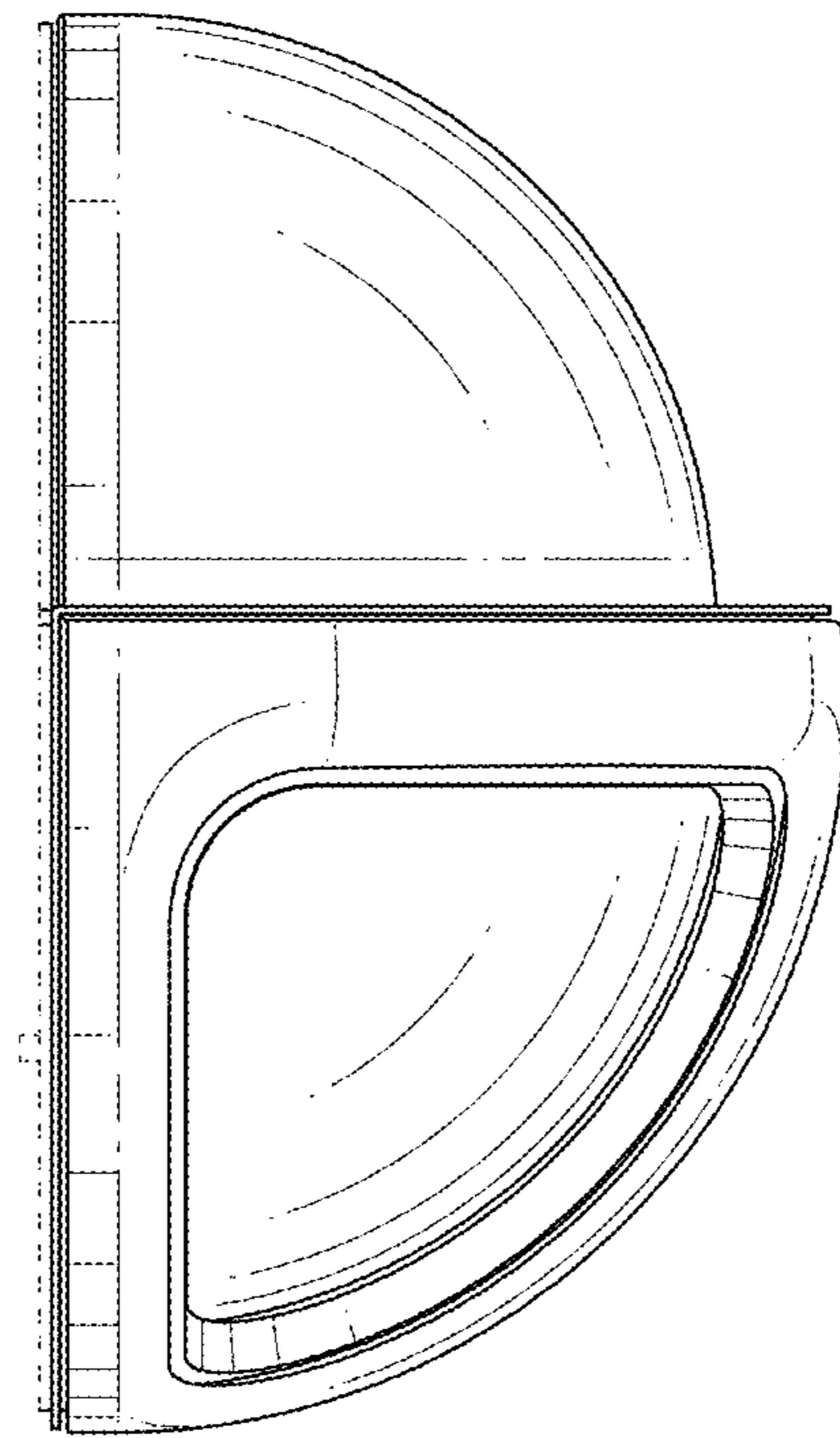


FIG. 4

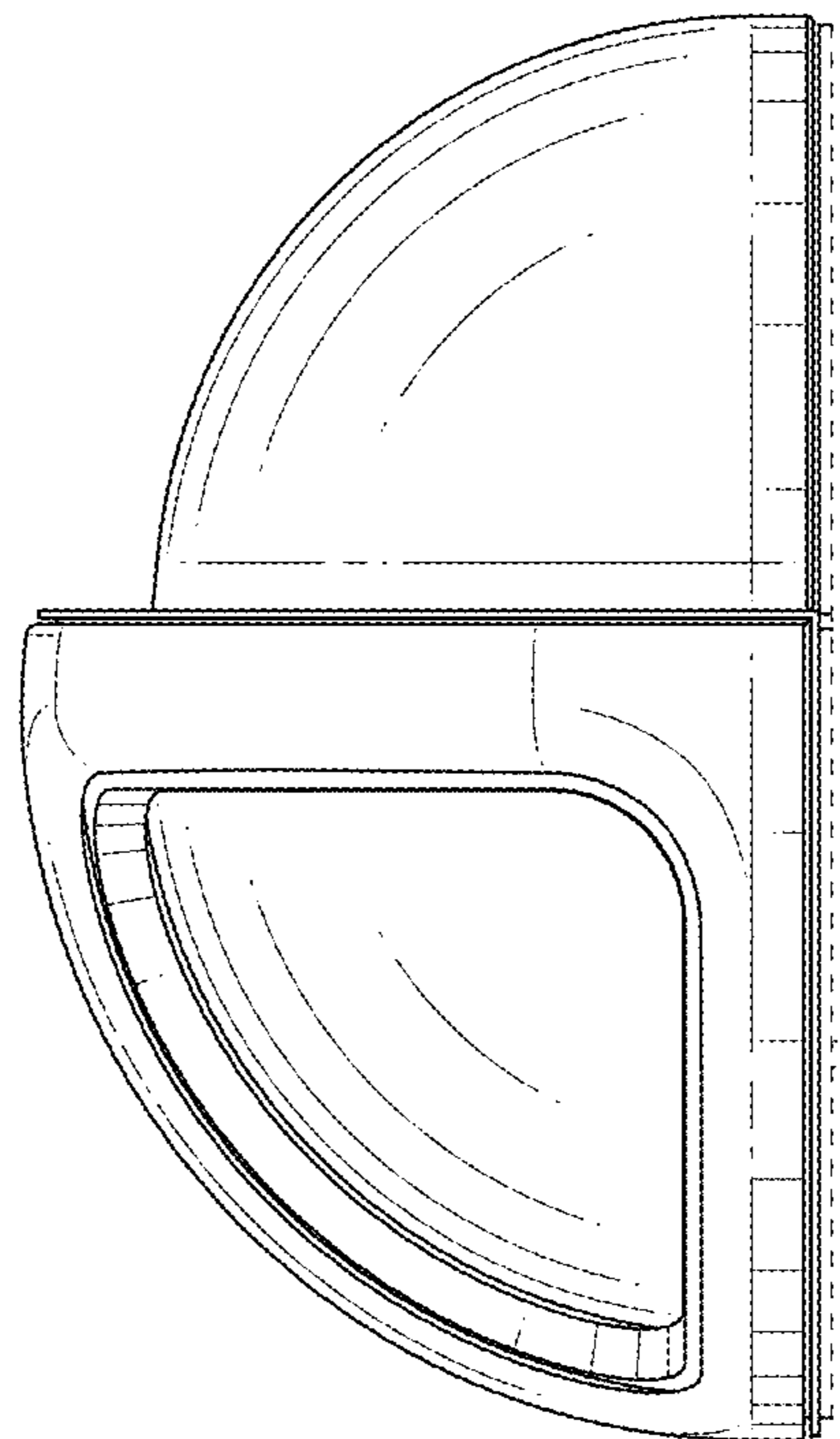


FIG. 5

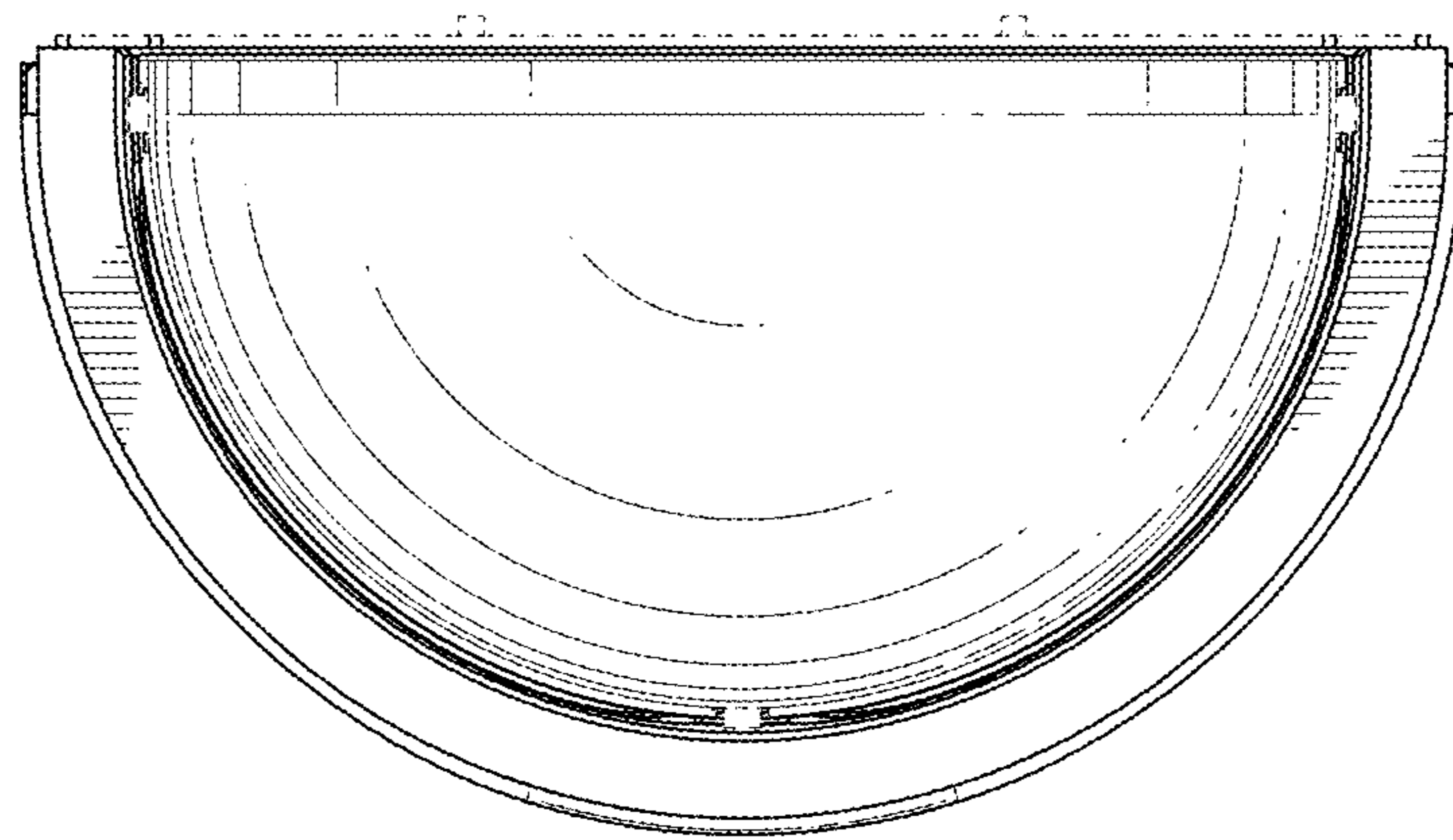


FIG. 6

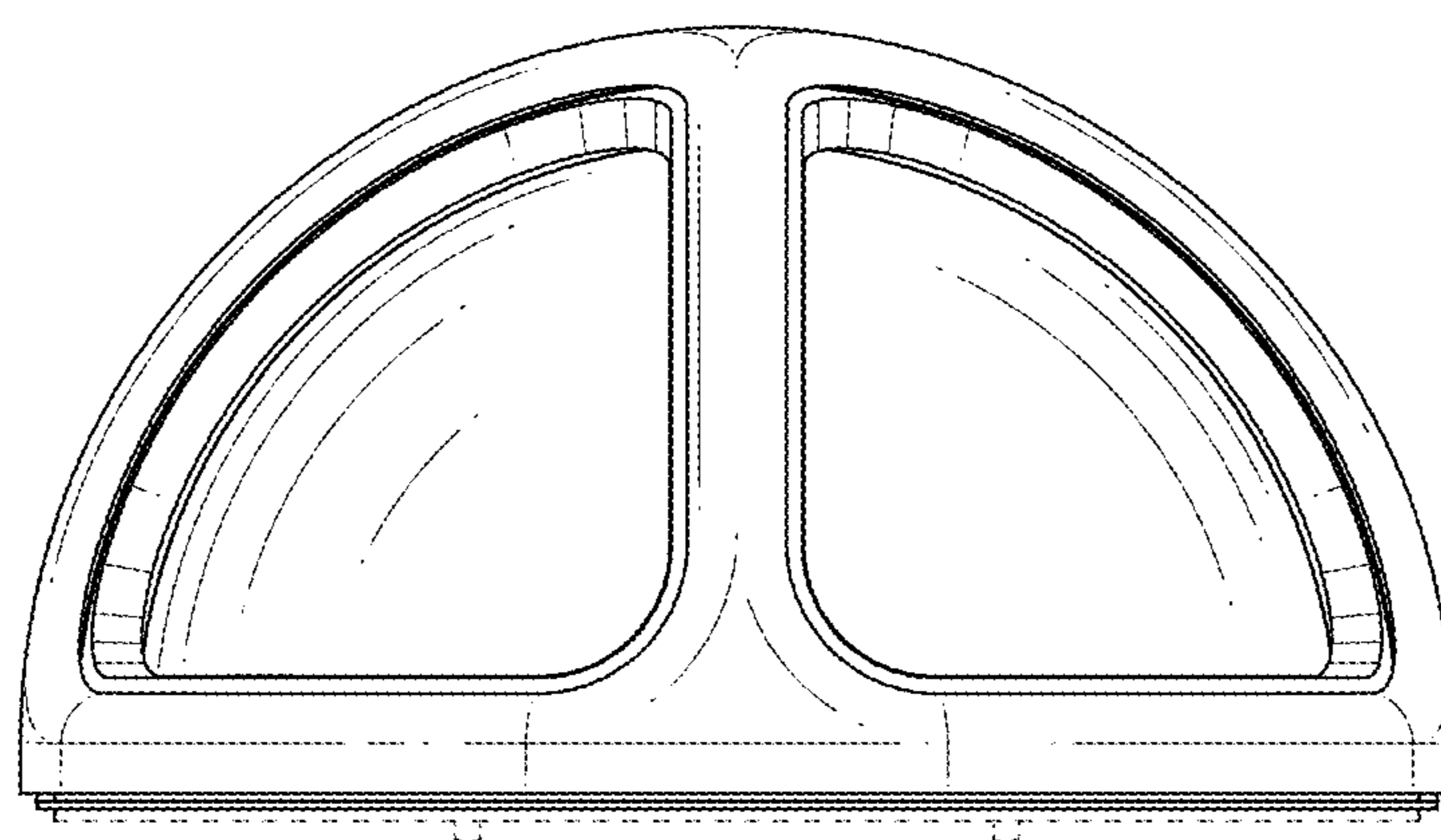


FIG. 7