



US00D987874S

(12) **United States Design Patent**
Kunzendorf et al.

(10) **Patent No.: US D987,874 S**
(45) **Date of Patent: ** May 30, 2023**

(54) **FLASHLIGHT**

FOREIGN PATENT DOCUMENTS

(71) Applicant: **LEDLENSER GMBH & CO. KG**,
Solingen (DE)

JP D1708934 * 3/2022

(72) Inventors: **André Kunzendorf**, Wuppertal (DE);
Tingting Shao, Zhuhai (CN)

OTHER PUBLICATIONS

(73) Assignee: **LEDLENSER GMBH & CO. KG**,
Solingen (DE)

Ledlenser P3 Torch, first available Sep. 23, 2017, amazon.com, [online], [site visited Dec. 15, 2022], Available from internet URL: https://www.amazon.com/Ledlenser-reddoreza-Lightweight-Brightness-500882/dp/B075QJM8WJ/ref=asc_df_B075QJM8WJ/?tag=hyprod-20&linkC%E2%80%A6 (Year: 2017).*

(**) Term: **15 Years**

(Continued)

(21) Appl. No.: **29/789,215**

Primary Examiner — Angela J Lee

(22) Filed: **Sep. 9, 2021**

Assistant Examiner — Audris Park

(30) **Foreign Application Priority Data**

(74) *Attorney, Agent, or Firm* — Alston & Bird LLP

Mar. 10, 2021 (EM) 008458020-0001

(51) **LOC (14) Cl.** **26-02**

(52) **U.S. Cl.**
USPC **D26/49**

(58) **Field of Classification Search**

USPC ... D26/8, 36, 37, 38, 39, 41, 42, 44, 45, 46,
D26/48, 49, 50, 60, 61, 113, 119;
D10/114.1, 114.2, 114.5, 114.6, 114.8,
D10/114.9; D22/117
CPC ... F21L 4/00; F21L 14/02; F21L 4/005; F21L
4/025; F21L 4/027; F21L 15/02; F21L
2001/00; F21L 2003/00; F21L 13/00;
F41G 1/00; F41G 1/32; F41G 1/34; F41G
1/35; F41G 1/38; F41G 1/41; F41G 1/42;
F41G 1/345; F41G 11/001; F21V 21/406;
F21W 2111/10; H05C 1/02; H05C 1/04

See application file for complete search history.

(56) **References Cited**

U.S. PATENT DOCUMENTS

D548,863 S * 8/2007 Shiu D26/37
D551,366 S * 9/2007 Galli D26/37

(Continued)

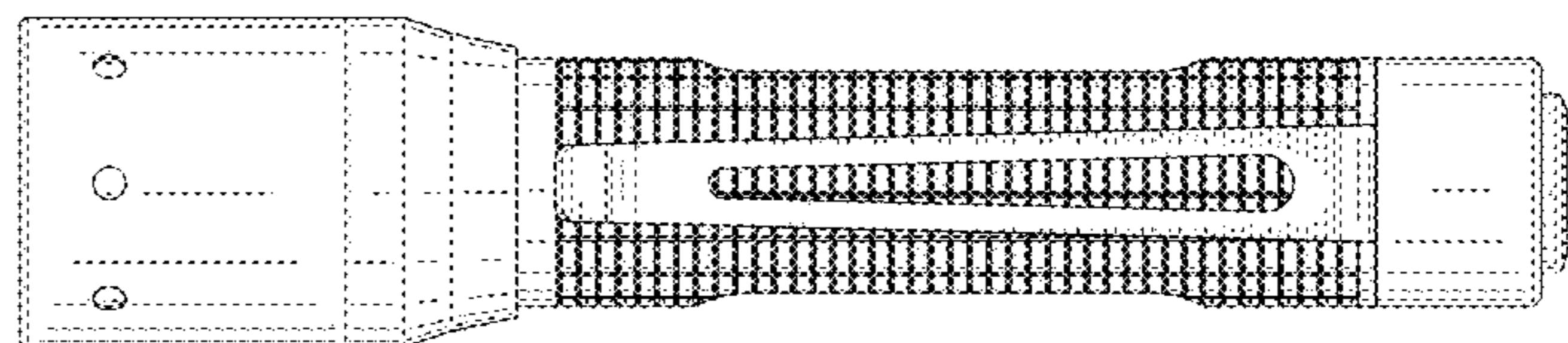
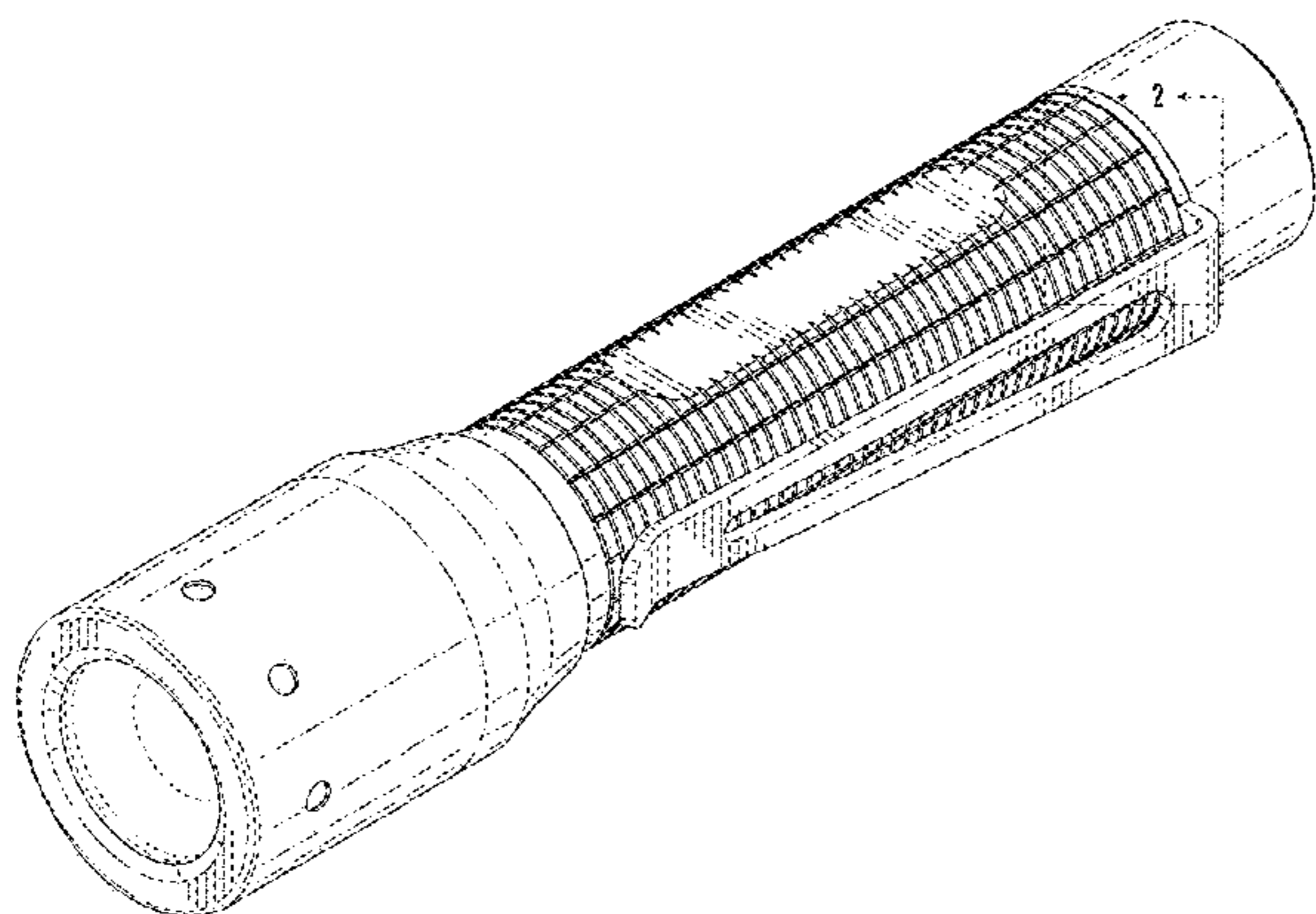
(57) **CLAIM**

The ornamental design for a flashlight, as shown and described.

DESCRIPTION

FIG. 1 is a perspective view of a flashlight according to our new design including detail frame 2;
FIG. 2 is an enlarged detail view corresponding to detail frame 2 of FIG. 1;
FIG. 3 is a front elevation view thereof;
FIG. 4 is a rear elevation view thereof;
FIG. 5 is a left side elevation view thereof;
FIG. 6 is a right side elevation view thereof including detail frame 7;
FIG. 7 is an enlarged detail view corresponding to detail frame 7 of FIG. 6;
FIG. 8 is a top plan view thereof; and,
FIG. 9 is a bottom plan view thereof.
The dash-dash lines of FIGS. 1 and 3 depict unclaimed elements of the design and form no part of the claimed design. The dash-dot-dash line squares of FIGS. 1, 2, 6, and 7 depict the limits of the enlarged views and form no part of the claimed design.

1 Claim, 8 Drawing Sheets



(56)

References Cited

U.S. PATENT DOCUMENTS

D557,838 S * 12/2007 Shiu D26/37
D557,840 S * 12/2007 Shiu D26/37
D583,087 S * 12/2008 Opolka D26/49
D747,024 S * 1/2016 Windom D26/49
D855,229 S * 7/2019 Bertken D26/49
D881,432 S * 4/2020 Windom D26/49
D905,885 S * 12/2020 Kotsis D26/49
D933,275 S * 10/2021 Yan F21L 4/02
D26/49
D941,514 S * 1/2022 Xiao D26/49
D941,515 S * 1/2022 Xiao D26/49
2019/0017689 A1 * 1/2019 Parsons F21V 21/406

OTHER PUBLICATIONS

Ledlenser, P5R Core Rechargeable Flashlight, first available Sep. 1, 2020, amazon.com, [online], [site visited Dec. 15, 2022], Available from internet URL: https://www.amazon.com/Ledlenser-Rechargeable-Flashlight-Waterproof-Connecting/dp/B08H5Y1CGK/ref=psdc_2445457011_t1_B075QJM8WJ?th=1 (Year: 2020).*

* cited by examiner

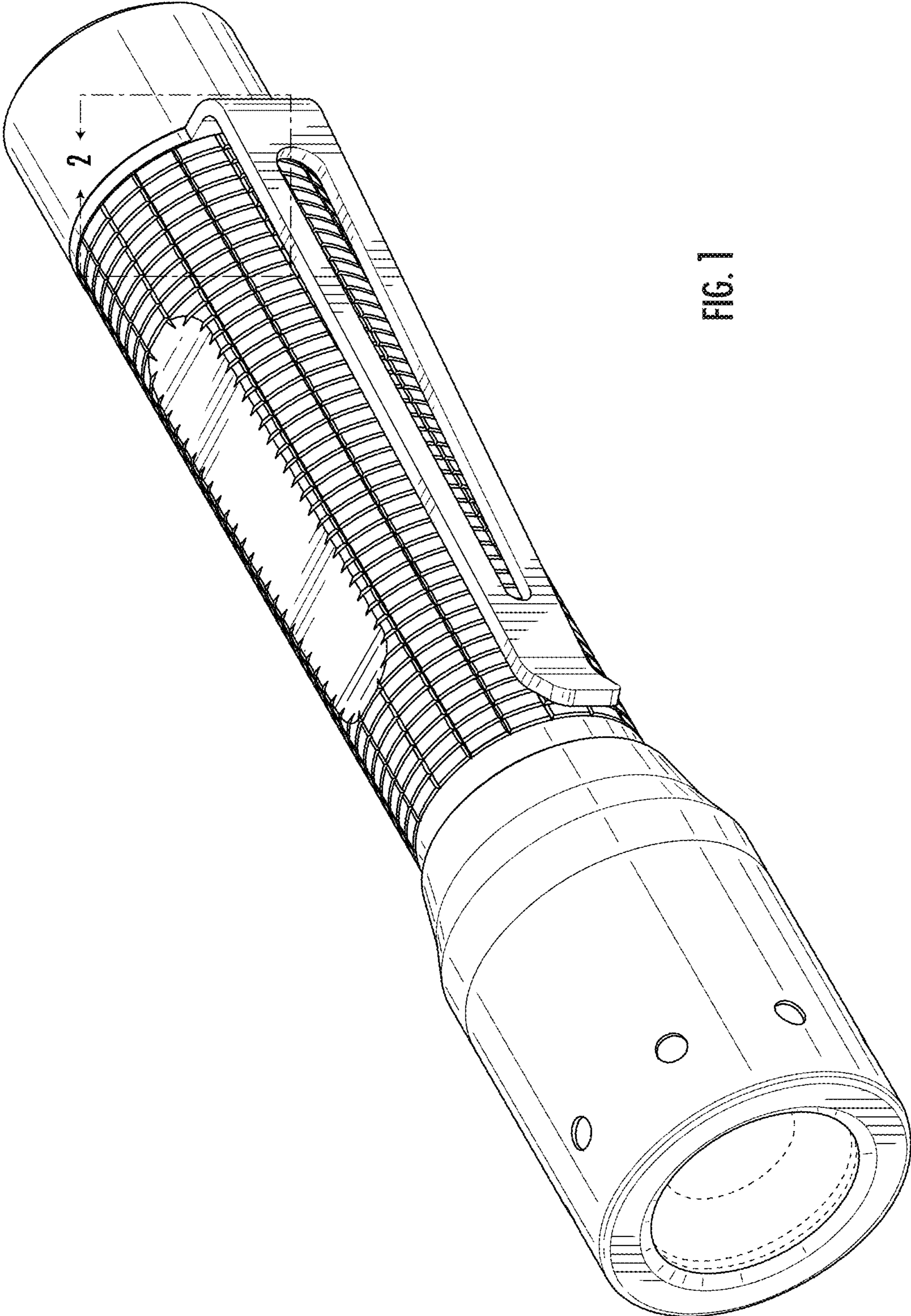


FIG. 1

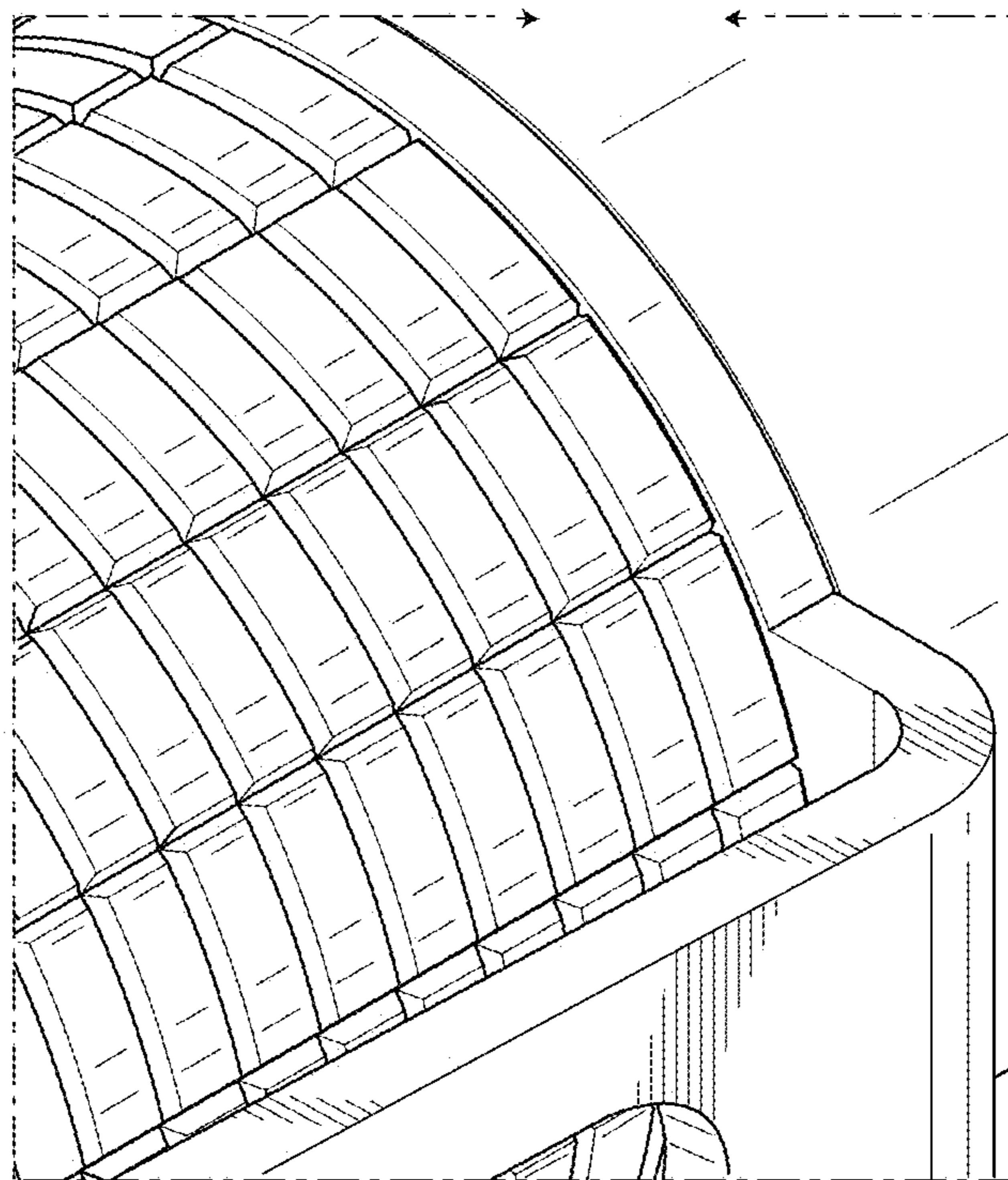


FIG. 2

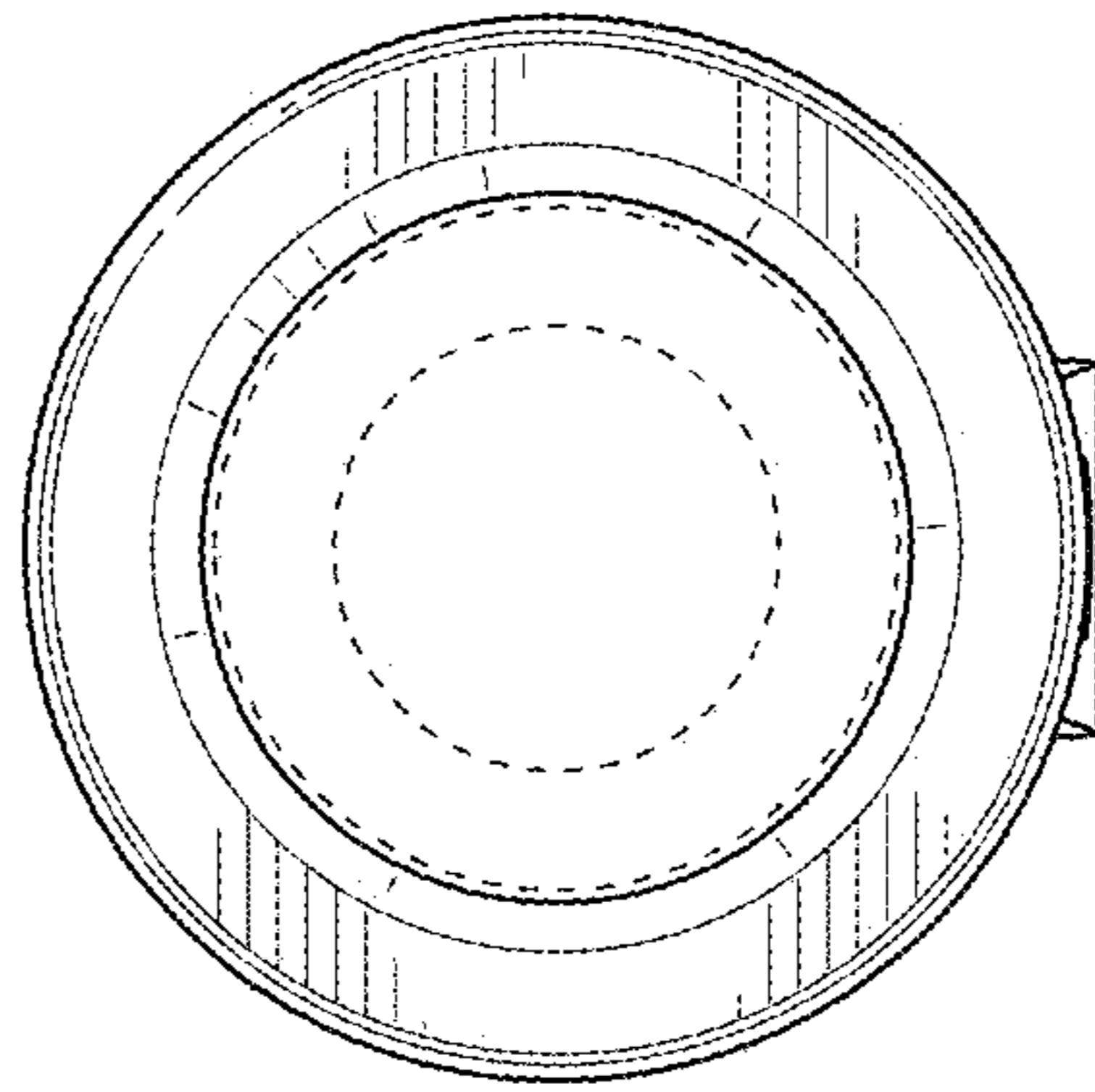


FIG. 3

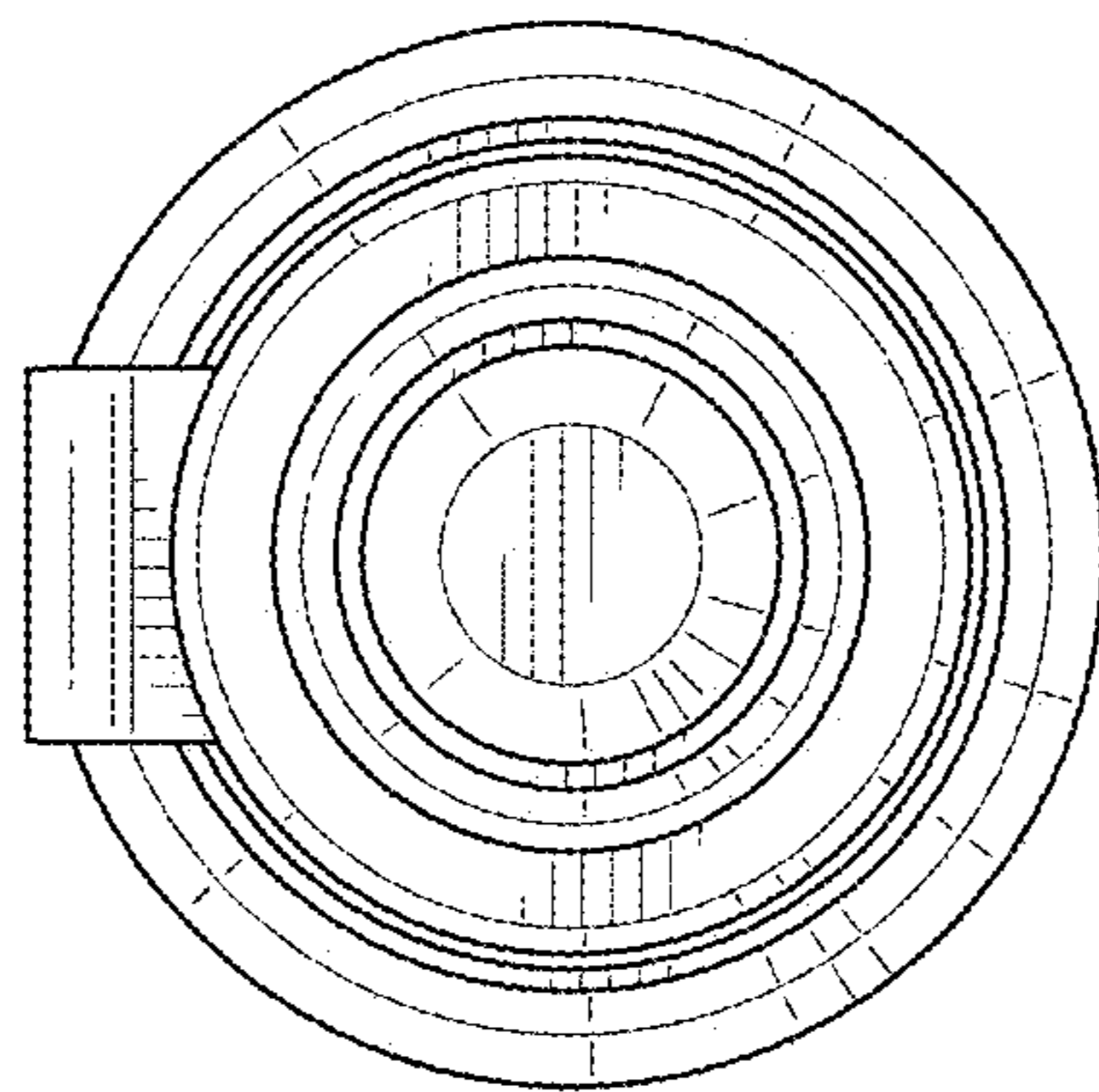


FIG. 4

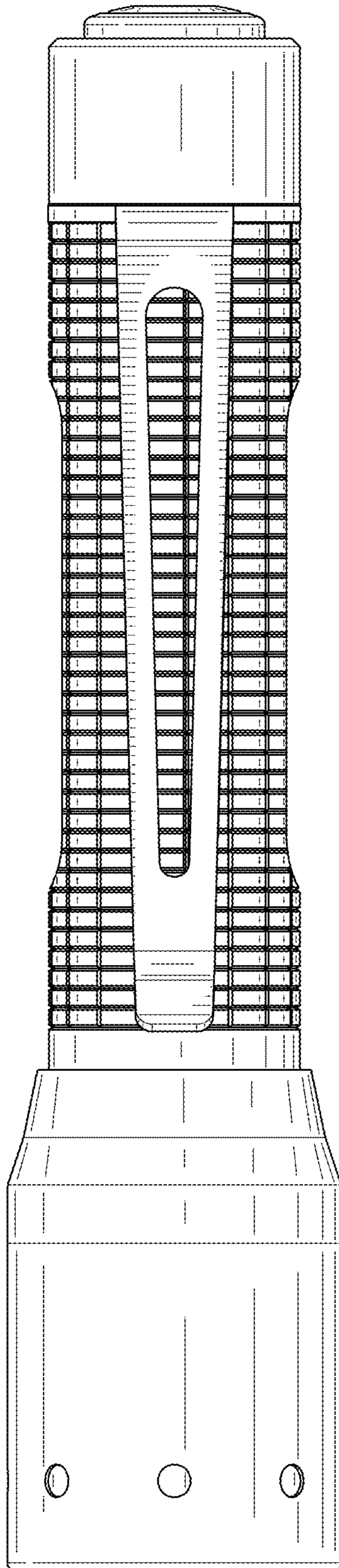


FIG. 5

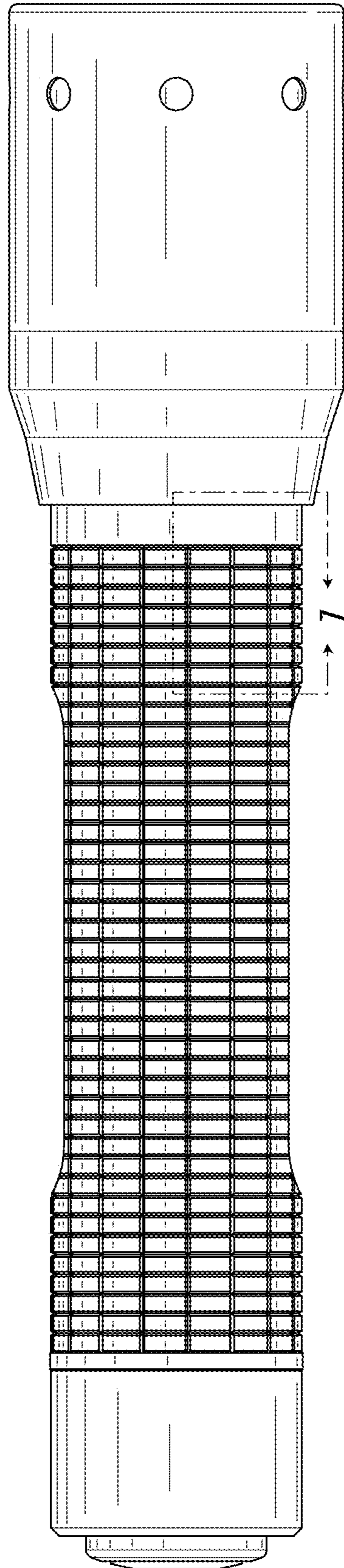


FIG. 6

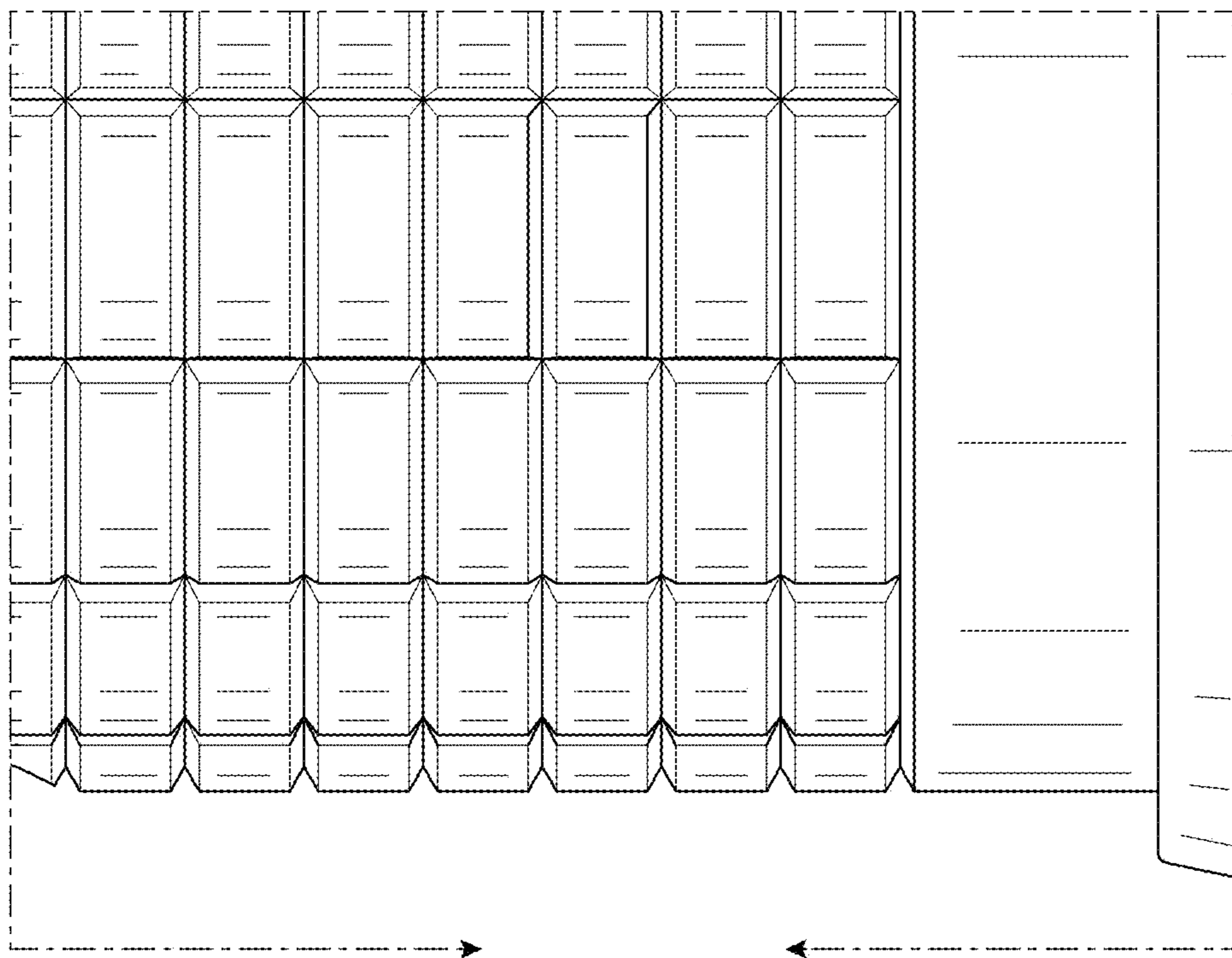


FIG. 7

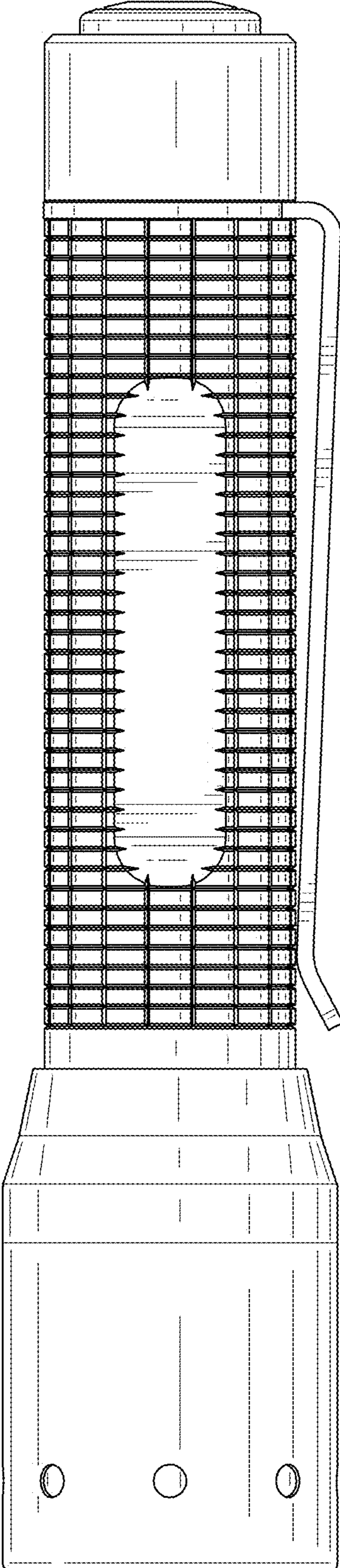


FIG. 8

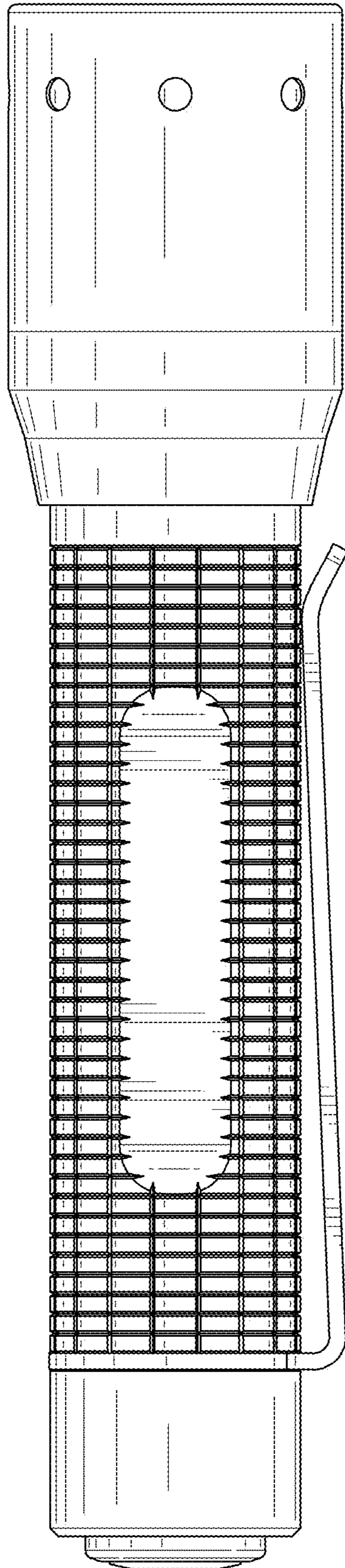


FIG. 9