



US00D987872S

(12) **United States Design Patent**  
**Tsai et al.**

(10) **Patent No.:** **US D987,872 S**  
(45) **Date of Patent:** **\*\* May 30, 2023**

(54) **COVER LENS FOR AN AUTOMOTIVE LAMP**

D763,491 S \* 8/2016 Tsai ..... D26/28  
D823,503 S \* 7/2018 Cheng ..... B60Q 1/0052  
D26/28  
D852,395 S \* 6/2019 Chen ..... D26/36

(71) Applicant: **LUCIDITY ENTERPRISE CO., LTD.**, Tainan (TW)

(72) Inventors: **Hsi-Hsien Tsai**, Tainan (TW); **Yi-Shan Kuo**, Tainan (TW)

(73) Assignee: **LUCIDITY ENTERPRISE CO., LTD.**, Tainan (TW)

(\*\*) Term: **15 Years**

(21) Appl. No.: **29/788,400**

(22) Filed: **May 17, 2021**

(51) **LOC (14) Cl.** ..... **26-06**

(52) **U.S. Cl.**  
USPC ..... **D26/36**

(58) **Field of Classification Search**  
USPC ..... D26/1, 2, 28, 29, 35, 36; D10/111;  
D7/566, 570, 584  
CPC ..... F21S 41/00; F21S 41/255; F21S 41/28;  
F21S 45/33; F21V 3/02  
See application file for complete search history.

(56) **References Cited**

**U.S. PATENT DOCUMENTS**

D154,216 S \* 6/1949 Reifsnyder ..... D7/584  
D592,778 S \* 5/2009 Chang ..... D26/28  
D687,986 S \* 8/2013 Maxik ..... D26/2  
D694,435 S \* 11/2013 Romeu ..... D26/2  
D702,504 S \* 4/2014 Tibbets ..... D7/570  
9,062,845 B1 \* 6/2015 Tsai ..... B60Q 1/0052

**FOREIGN PATENT DOCUMENTS**

JP D1240682 \* 5/2005

\* cited by examiner

*Primary Examiner* — Cary M Robinson  
*Assistant Examiner* — Julie Marie Bailey

(57) **CLAIM**

The ornamental design for a cover lens for an automotive lamp, as shown and described.

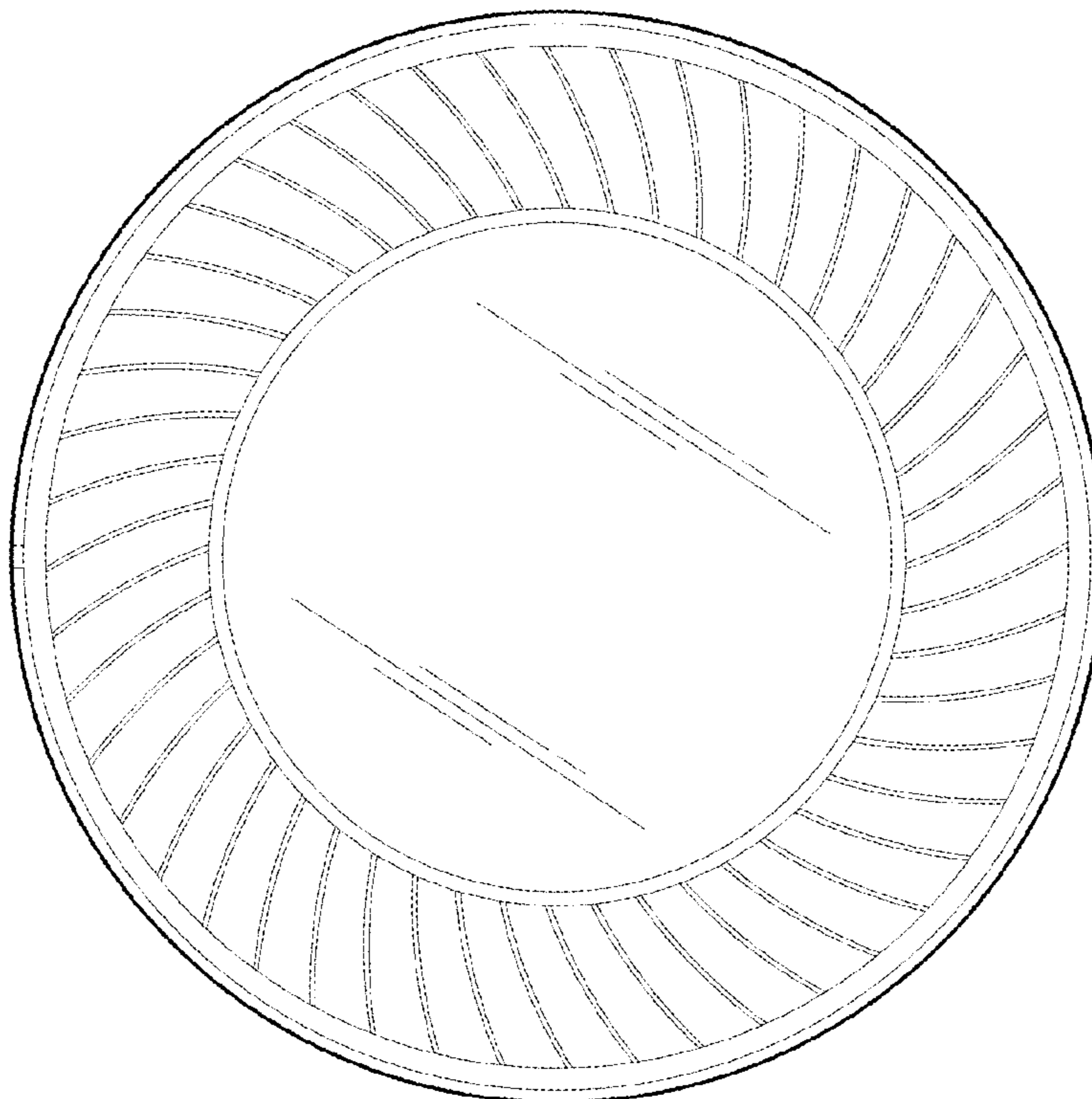
**DESCRIPTION**

FIG. 1 is a perspective view of a cover lens for an automotive lamp showing our design;  
FIG. 2 is a front elevational view thereof;  
FIG. 3 is a rear elevational view thereof;  
FIG. 4 is a left side elevational view thereof;  
FIG. 5 is a right side elevational view thereof;  
FIG. 6 is a top plan view thereof; and,  
FIG. 7 is a bottom plan view.

The ornamental design which is claimed is shown in solid lines in the drawings.

The broken lines shown in FIG. 1 depict portions of a cover lens for an automotive lamp in which the design is embodied that form no part of the claimed design.

**1 Claim, 7 Drawing Sheets**



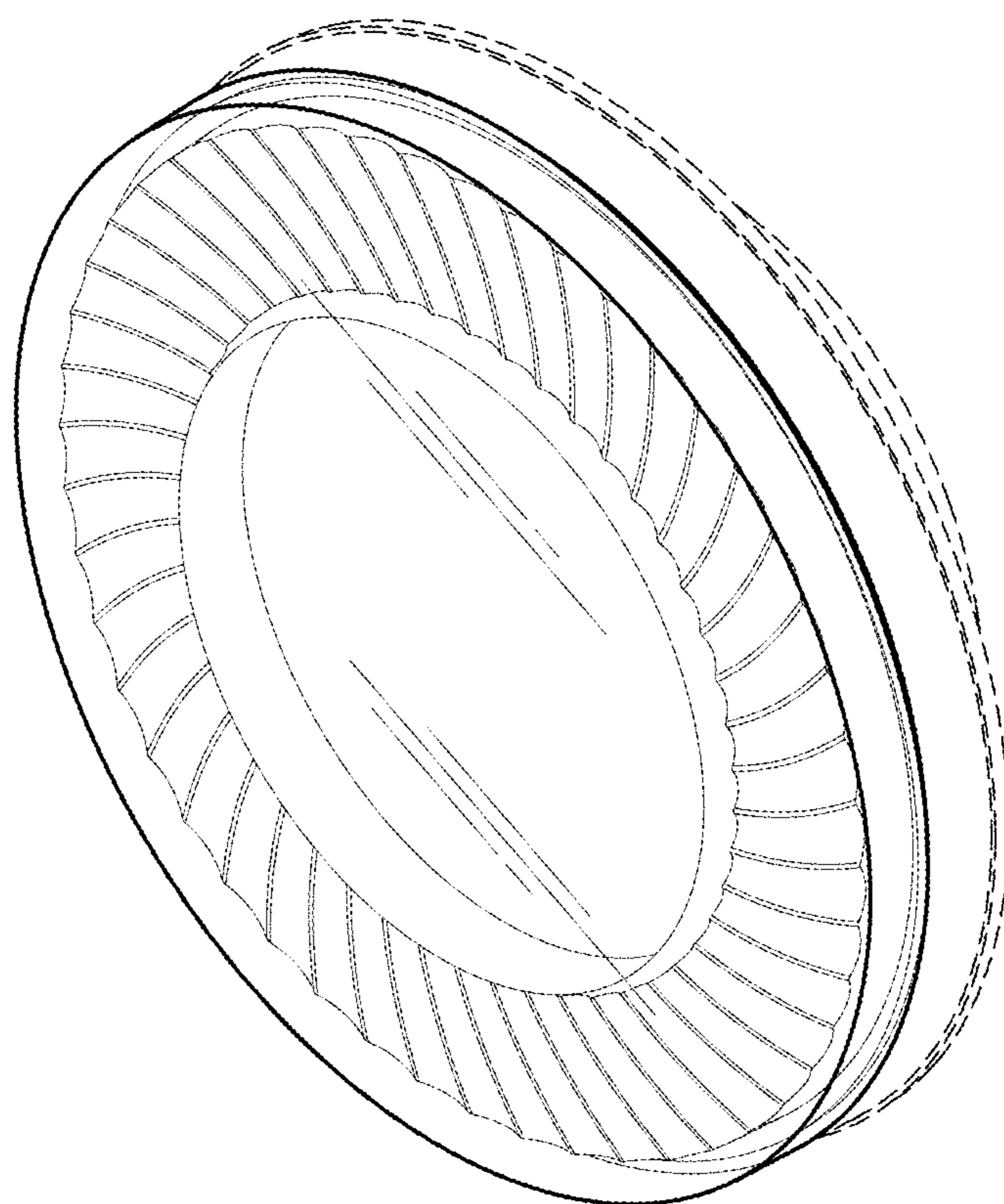


FIG. 1

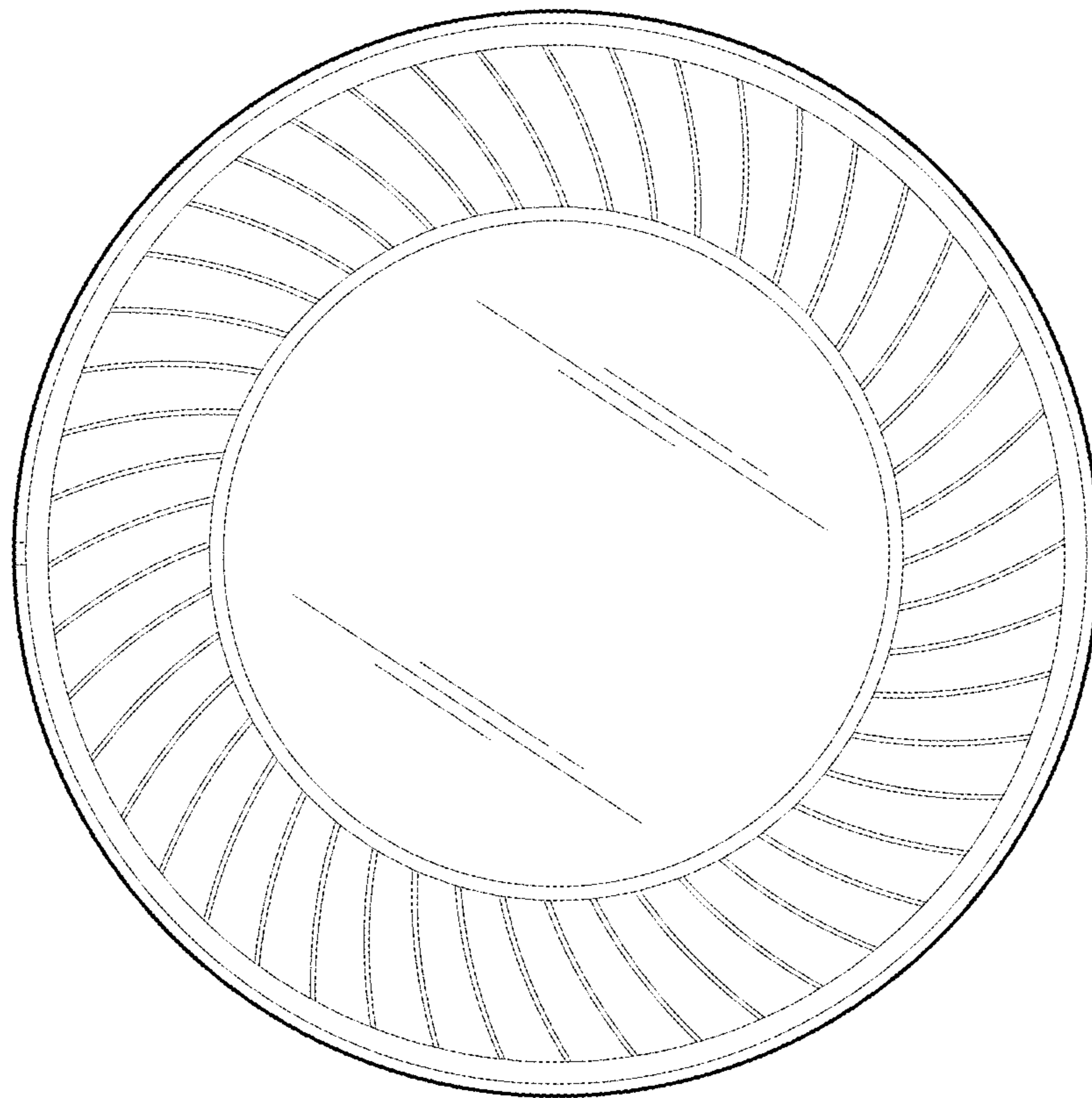


FIG.2

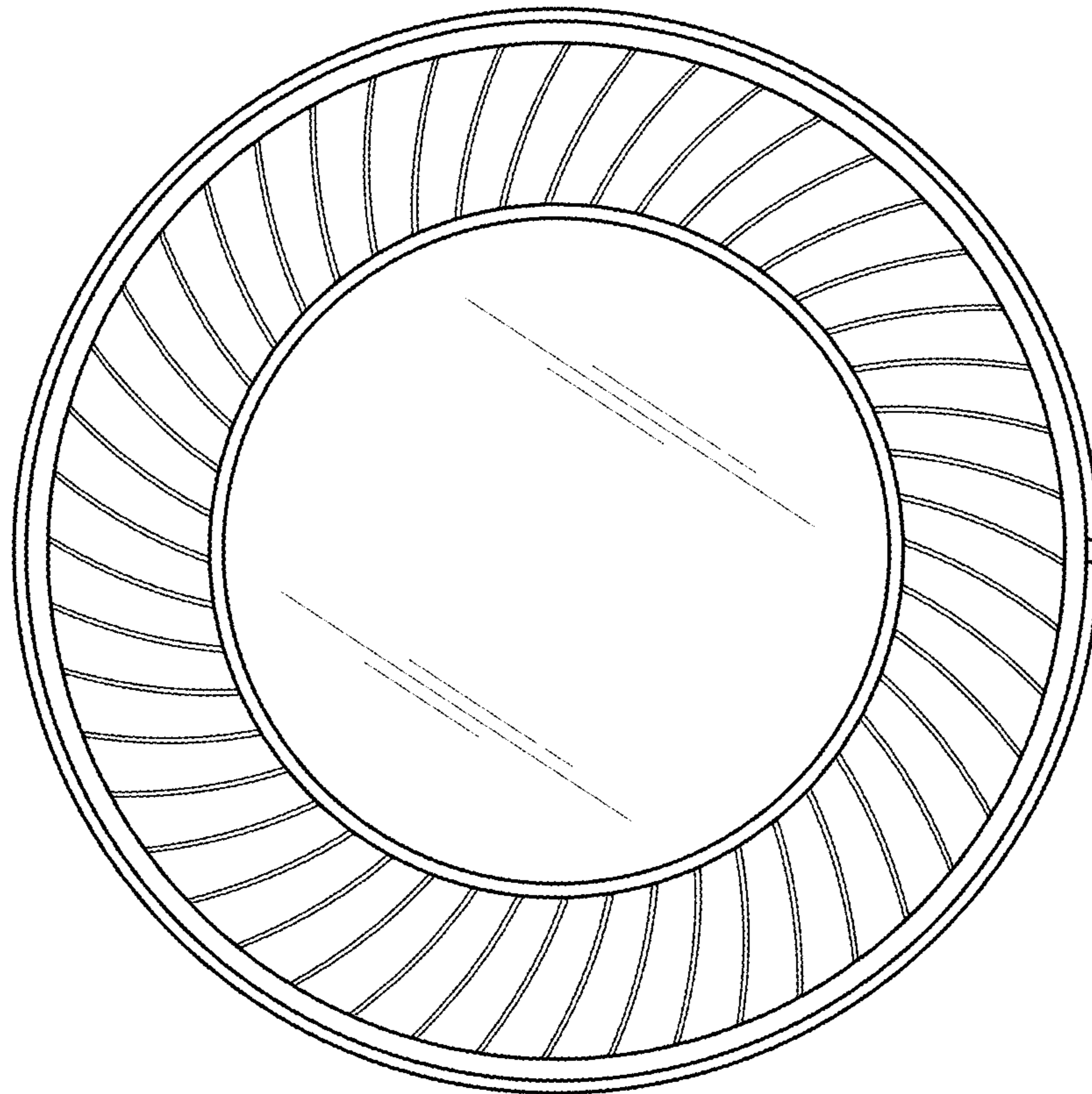


FIG.3



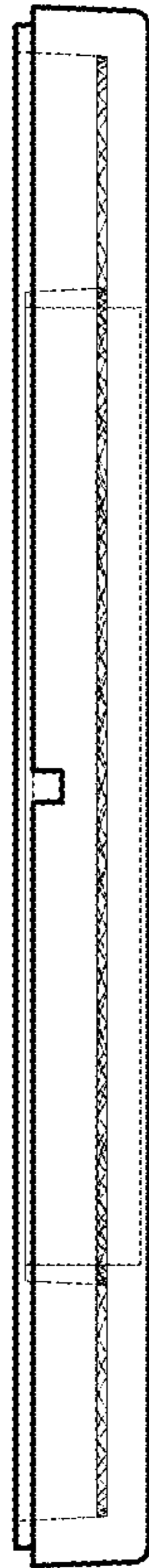


FIG.4

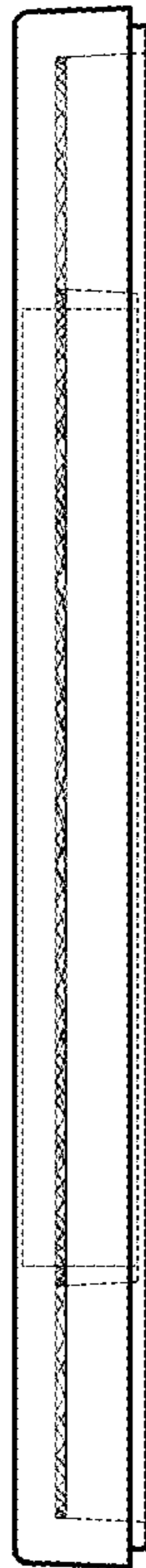


FIG.5



FIG.6



FIG.7