



US00D987870S

(12) **United States Design Patent** (10) **Patent No.:** **US D987,870 S**
Wang (45) **Date of Patent:** **** May 30, 2023**

(54) **HEADLIGHT**
(71) Applicant: **Zhejiang Yinhong Auto & Motorcycle Accessories Co., Ltd.**, Zhejiang Province (CN)

D878,646 S * 3/2020 He D26/28
D907,262 S * 1/2021 Lin D26/28
D928,999 S * 8/2021 Wu D26/28
D932,070 S * 9/2021 Lin D26/28
D954,307 S * 6/2022 Lin D26/28

(72) Inventor: **Hang Wang**, Zhejiang Province (CN)
(73) Assignee: **Zhejiang Yinhong Auto & Motorcycle Accessories Co., Ltd.**, Zhejiang Province (CN)

FOREIGN PATENT DOCUMENTS

CN 306198575 * 11/2020
CN 306304931 * 1/2021

(**) Term: **15 Years**
(21) Appl. No.: **29/806,717**
(22) Filed: **Sep. 6, 2021**
(51) **LOC (14) Cl.** **26-06**
(52) **U.S. Cl.** **D26/28**
USPC **D26/28**
(58) **Field of Classification Search**
USPC D26/28, 29, 30, 31, 32, 33, 34, 35, 36, D26/44, 139
CPC F21S 41/00; F21S 41/43; F21S 41/141; F21S 43/00; F21S 43/15; F21V 21/04; F21W 2103/35; F21W 2102/17; F21W 2102/30; F21W 2103/00; F21W 2103/55; F21W 2104/00; F21W 2107/13; F21W 2107/17
See application file for complete search history.

OTHER PUBLICATIONS

“AlphaRex USA 880163 Nova Series Projector Headlights”, available in Amazon.com, first available online Jul. 2, 2020, site visited Jan. 27, 2023, Internet URL: https://www.amazon.com/AlphaRex-USA-880163-Projector-Headlights/dp/B089N4VHY5/ref=asc_df_B089N4VHY5/?tag=hyprod-20&linkCode=df0&hv%E2%80%A6 (Year: 2020).*

(Continued)

Primary Examiner — Angela J Lee
Assistant Examiner — Anthony Vincent Rotolo

(57) **CLAIM**

The ornamental design for a headlight, as shown and described.

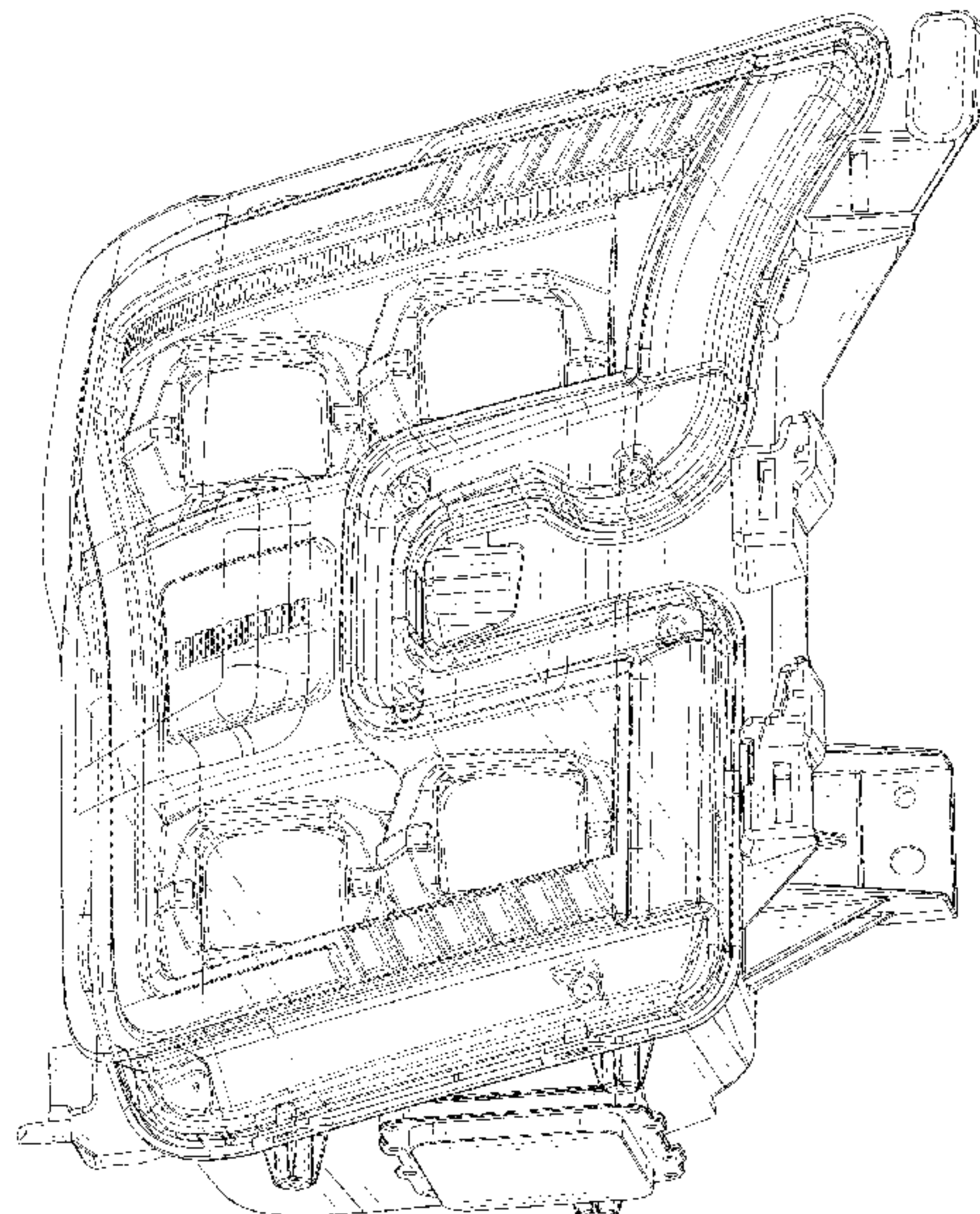
DESCRIPTION

FIG. 1 is a perspective view of a headlight showing our new design;
FIG. 2 is another perspective view thereof;
FIG. 3 is a front view thereof;
FIG. 4 is a back view thereof;
FIG. 5 is a left view thereof;
FIG. 6 is a right view thereof;
FIG. 7 is a top view thereof; and,
FIG. 8 is a bottom view thereof.
The broken lines shown on the drawings depict portions of the headlight that form no part of the claimed design.

(56) **References Cited**
U.S. PATENT DOCUMENTS

D750,815 S * 3/2016 Platto D26/28
D750,816 S * 3/2016 Platto D26/28
D769,480 S * 10/2016 Lai D26/28
D771,291 S * 11/2016 Tsai D26/28
D857,262 S * 8/2019 Lin D26/28
D863,622 S * 10/2019 Wu D26/28
D869,700 S * 12/2019 Lin D26/28
D874,696 S * 2/2020 He D26/28

1 Claim, 8 Drawing Sheets



(56)

References Cited

OTHER PUBLICATIONS

“Stehlen 642167819141 Full LED Sequential Tri Projector Headlights”, available in Amazon.com, first available online Feb. 21, 2020, site visited Jan. 27, 2023, Internet URL: https://www.amazon.com/dp/B08515KTQP?ref_=cm_sw_r_cp_ud_dp_05PS8EJDCKQMYA6V54ER (Year: 2020).*

* cited by examiner

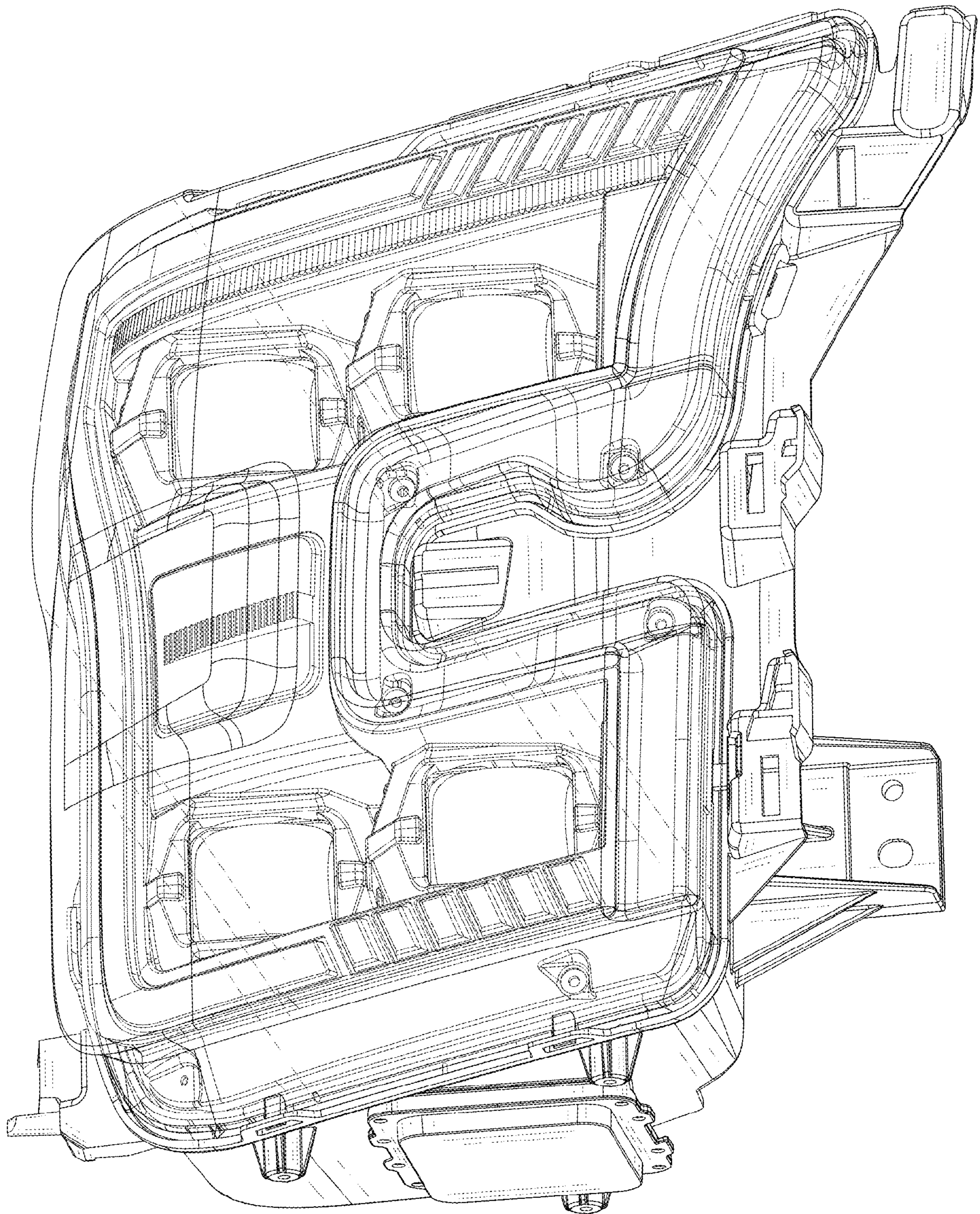


FIG. 1

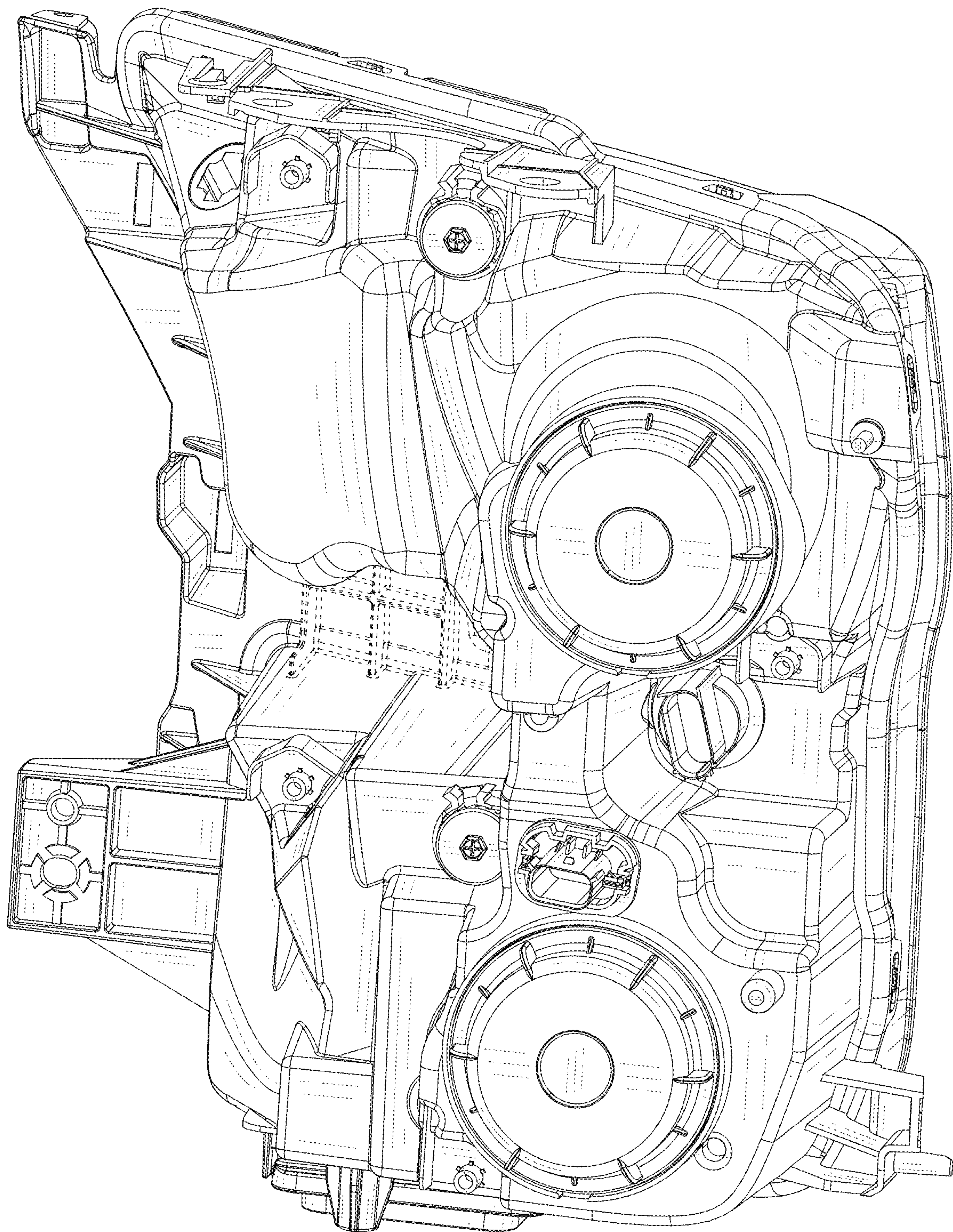


FIG. 2

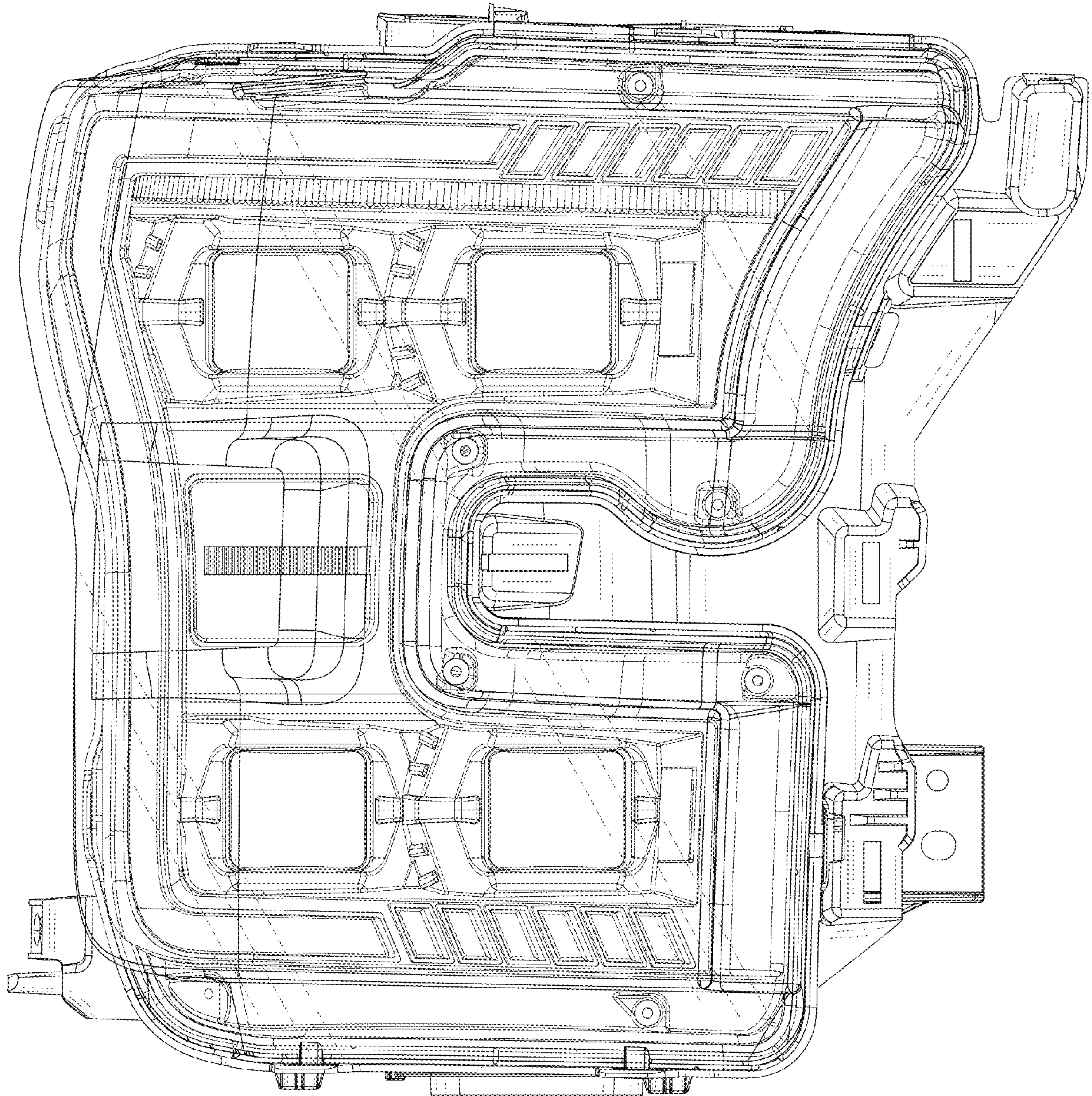


FIG. 3

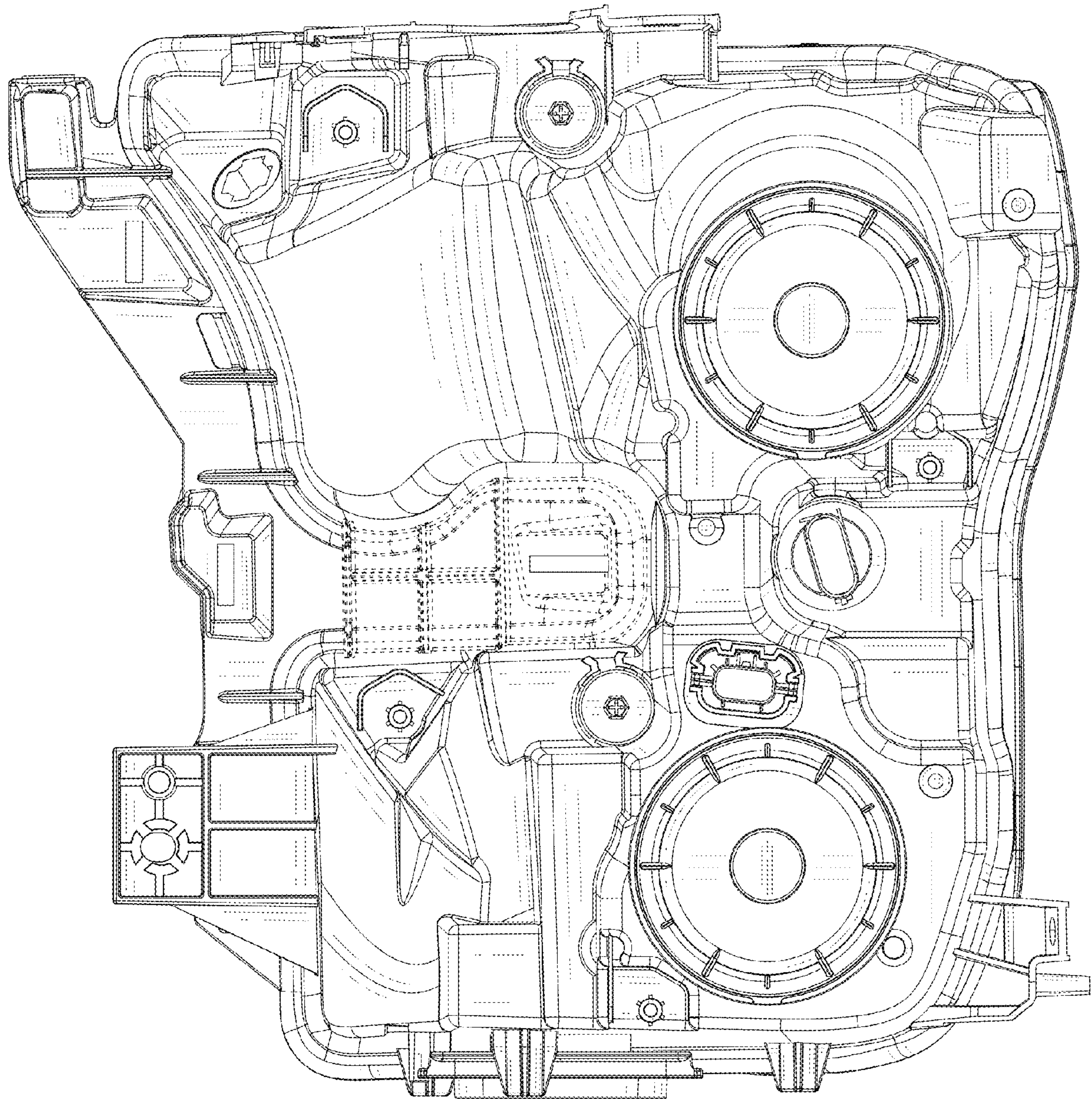


FIG. 4

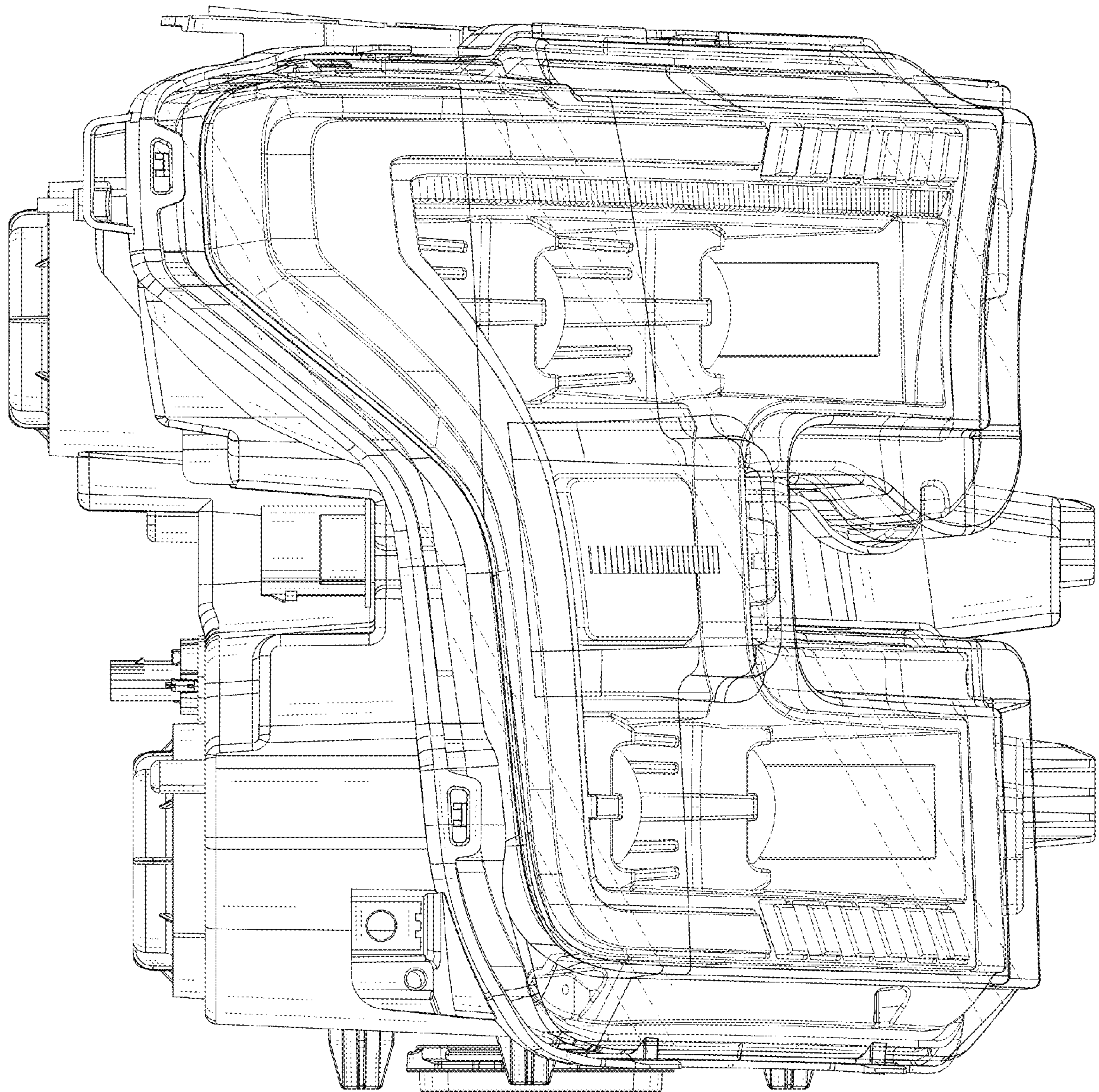


FIG. 5

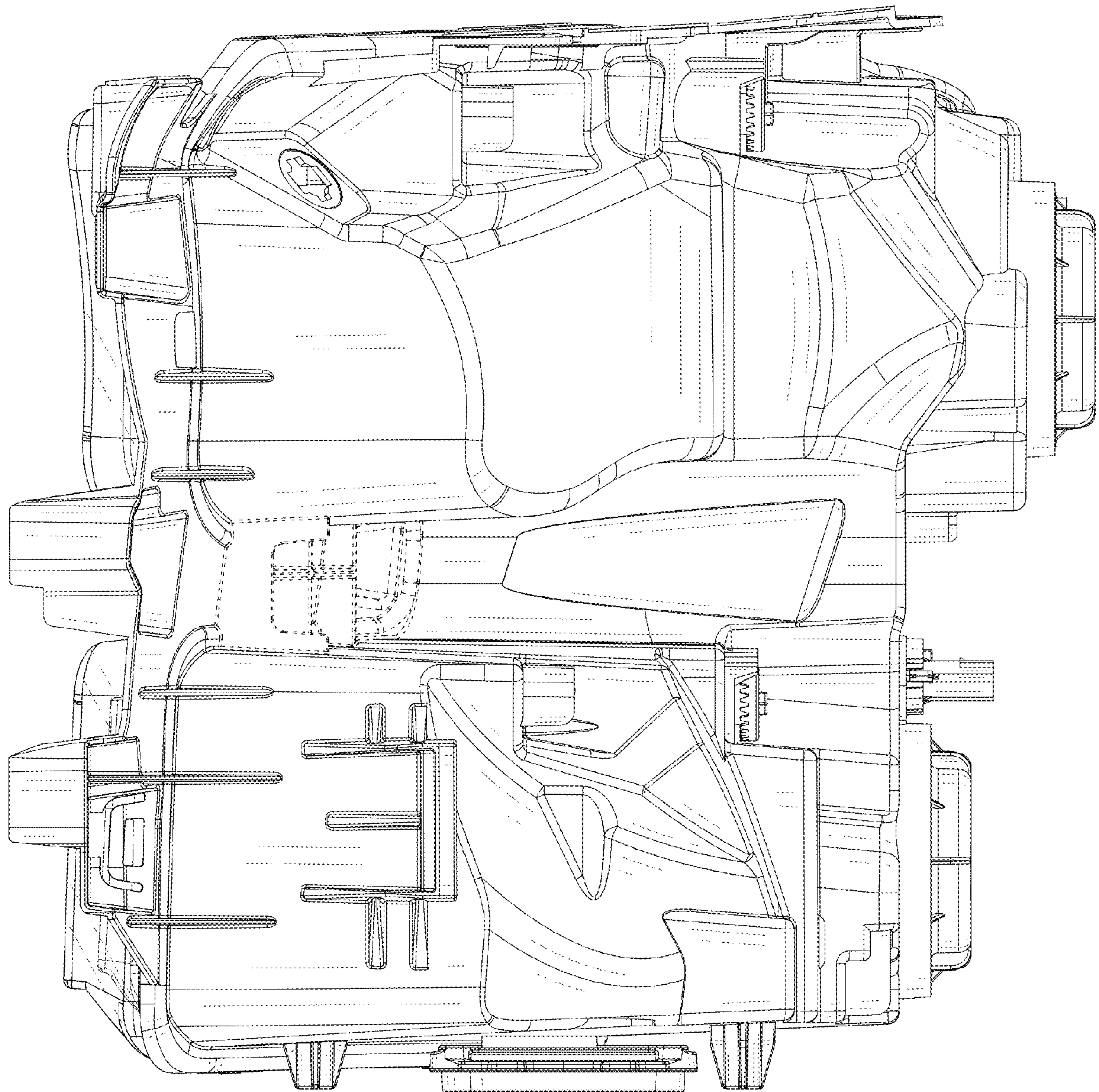


FIG. 6

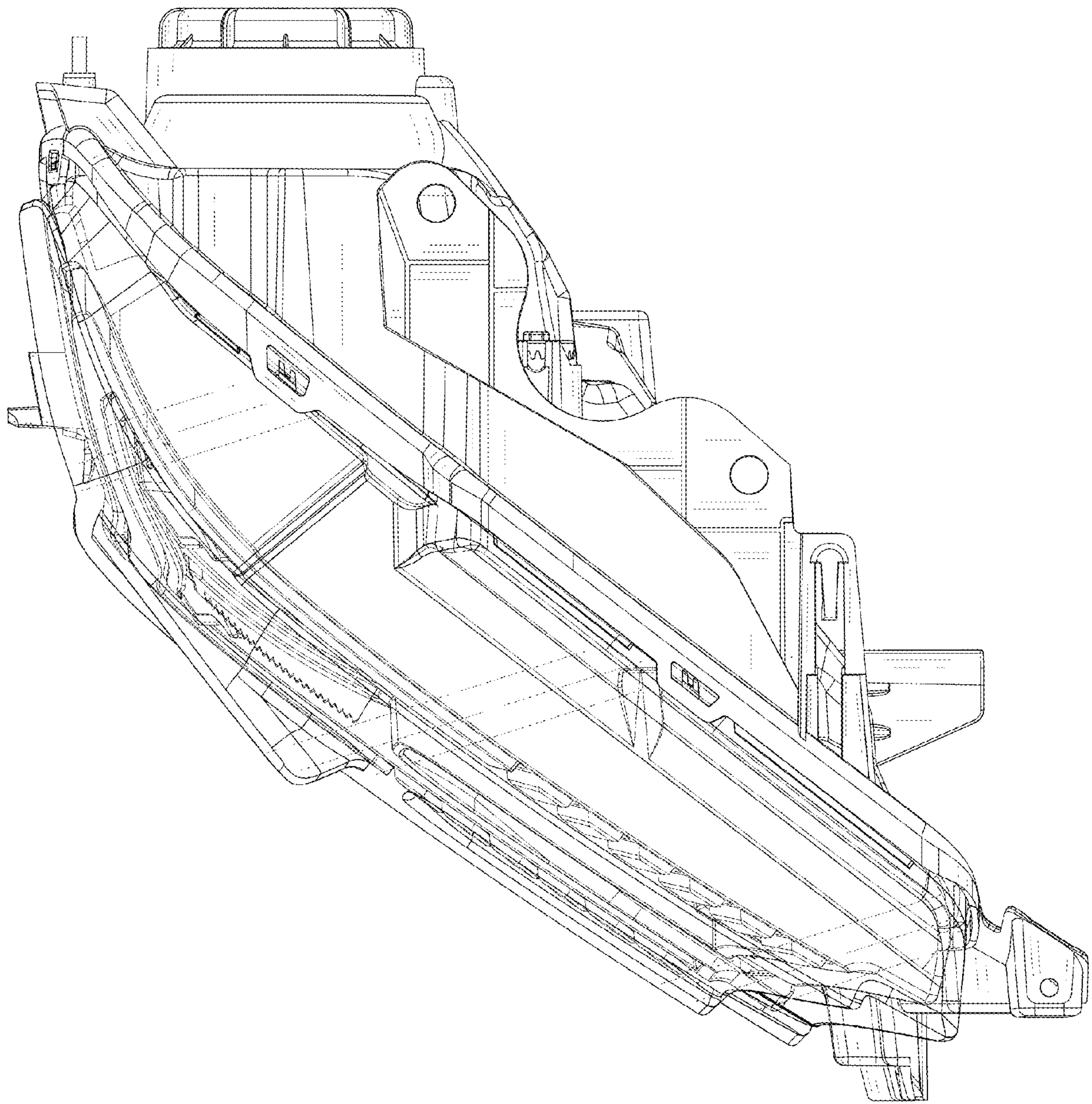


FIG. 7

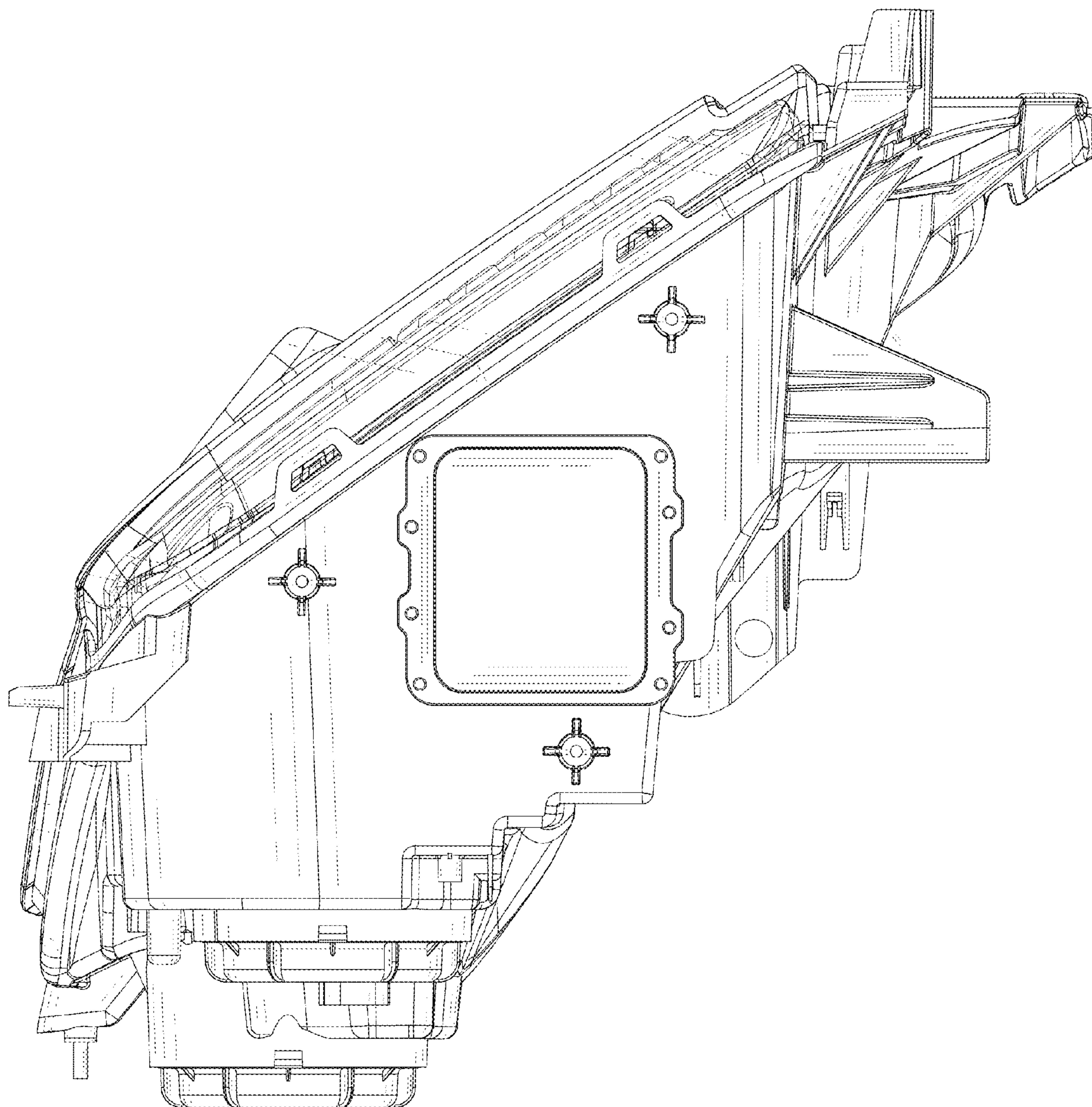


FIG. 8