



US00D987868S

(12) **United States Design Patent** (10) **Patent No.:** **US D987,868 S**  
**Wang** (45) **Date of Patent:** **\*\* May 30, 2023**

(54) **HEADLIGHT**  
(71) Applicant: **Zhejiang Yinhong Auto & Motorcycle Accessories Co., Ltd.**, Zhejiang Province (CN)  
(72) Inventor: **Hang Wang**, Zhejiang Province (CN)  
(73) Assignee: **Zhejiang Yinhong Auto & Motorcycle Accessories Co., Ltd.**, Zhejiang Province (CN)

D921,242 S \* 6/2021 He ..... D26/28  
D936,874 S \* 11/2021 Wu ..... D26/28  
D958,422 S \* 7/2022 Yang ..... D26/28  
D959,033 S \* 7/2022 Wu ..... D26/28  
D959,715 S \* 8/2022 Langhals ..... D26/28  
D970,764 S \* 11/2022 Ye ..... D26/28  
D971,461 S \* 11/2022 Yang ..... D26/28  
2014/0192548 A1 \* 7/2014 Kracker ..... F21S 41/148  
362/538

(Continued)

(\*\*) Term: **15 Years**  
(21) Appl. No.: **29/806,713**  
(22) Filed: **Sep. 6, 2021**  
(51) **LOC (14) Cl.** ..... **26-06**  
(52) **U.S. Cl.**  
USPC ..... **D26/28**  
(58) **Field of Classification Search**  
USPC ..... D26/28, 29, 30, 31, 32, 33, 34, 35, 36,  
D26/44, 139  
CPC ..... F21S 41/00; F21S 41/43; F21S 41/141;  
F21S 43/00; F21S 43/15; F21V 21/04;  
F21W 2103/35; F21W 2102/17; F21W  
2102/30; F21W 2103/00; F21W 2103/55;  
F21W 2104/00; F21W 2107/13; F21W  
2107/17  
See application file for complete search history.

**OTHER PUBLICATIONS**

“Vland LED Projector Headlights fit for Dodge RAM 1500”, available in Amazon.com, first available Jan. 13, 2023 [online], site visited Jan. 20, 2023, Available from URL: [https://www.amazon.com/VLAND-Projector-Headlights-2009-2018-Sequential/dp/B0BS9FCW65/ref=sr\\_1\\_158?crd=1M0GQ9CDAUNTM&keywords=v%E2%80%A6&th=1](https://www.amazon.com/VLAND-Projector-Headlights-2009-2018-Sequential/dp/B0BS9FCW65/ref=sr_1_158?crd=1M0GQ9CDAUNTM&keywords=v%E2%80%A6&th=1) (Year: 2023).\*

(Continued)

*Primary Examiner* — Angela J Lee  
*Assistant Examiner* — Anthony Vincent Rotolo

(57) **CLAIM**

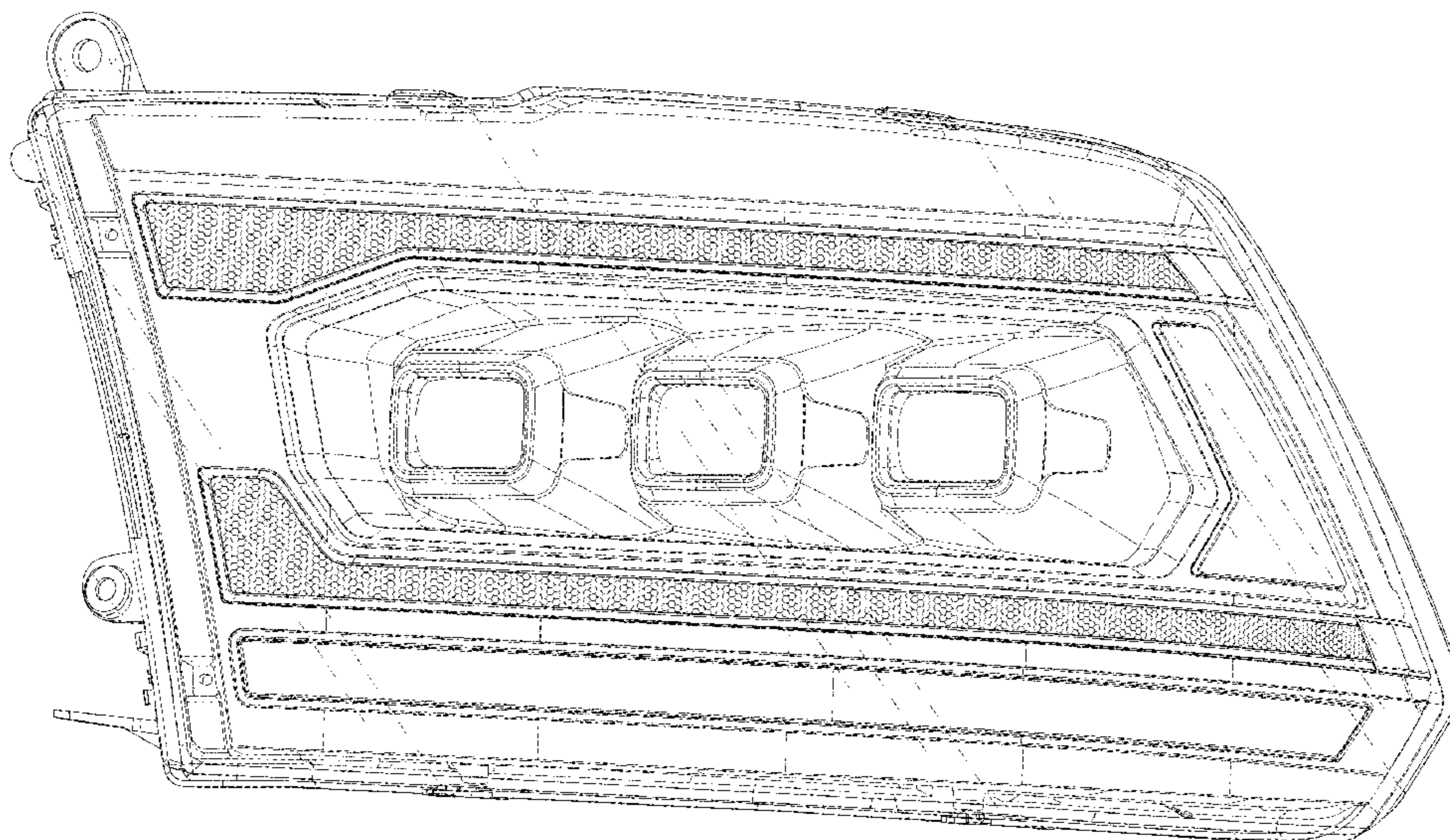
The ornamental design for a headlight, as shown and described.

**DESCRIPTION**

FIG. 1 is a perspective view of a headlight showing our new design;  
FIG. 2 is another perspective view thereof;  
FIG. 3 is a front view thereof;  
FIG. 4 is a back view thereof;  
FIG. 5 is a left view thereof;  
FIG. 6 is a right view thereof;  
FIG. 7 is a top view thereof; and,  
FIG. 8 is a bottom view thereof.  
The broken lines shown on the drawings depict portions of the headlight that form no part of the claimed design.

(56) **References Cited**  
**U.S. PATENT DOCUMENTS**  
D869,707 S \* 12/2019 Wu ..... D26/28  
D875,283 S \* 2/2020 He ..... D26/28  
D889,001 S \* 6/2020 He ..... D26/28  
D893,063 S \* 8/2020 He ..... D26/28  
D909,638 S \* 2/2021 Wu ..... D26/28  
D909,639 S \* 2/2021 Chen ..... D26/28  
D912,862 S \* 3/2021 Wu ..... D26/28  
D920,551 S \* 5/2021 Lin ..... D26/28  
D921,240 S \* 6/2021 He ..... D26/28

**1 Claim, 8 Drawing Sheets**



(56)

**References Cited**

U.S. PATENT DOCUMENTS

2014/0321147 A1\* 10/2014 Todaka ..... F21S 41/336  
362/245

OTHER PUBLICATIONS

“Vland Projector Led Headlights Compatible with 2019 2020 Dodge Ram 1500”, available in Amazon.com, announced Nov. 10, 2021, site visited Jan. 10, 2023, Internet URL: [https://www.amazon.com/VLAND-Projector-Headlights-Compatible-Switchback/dp/B09LGZ47Q7/ref=sr\\_1\\_4?crid=24GY0ACWNV3EV&keywords=vla%E2%80%A6&th=1](https://www.amazon.com/VLAND-Projector-Headlights-Compatible-Switchback/dp/B09LGZ47Q7/ref=sr_1_4?crid=24GY0ACWNV3EV&keywords=vla%E2%80%A6&th=1) (Year: 2021).\*

\* cited by examiner

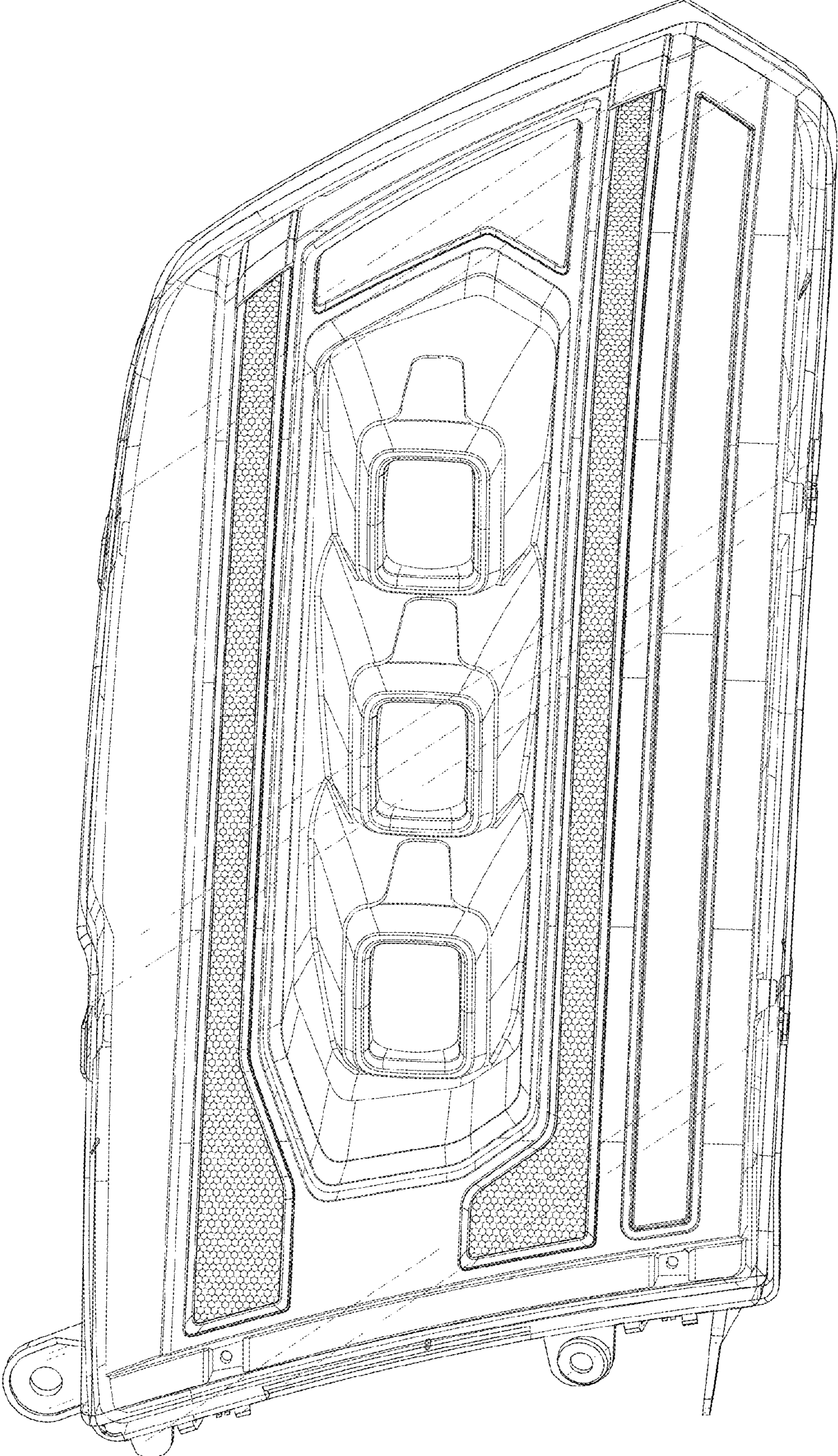


FIG. 1

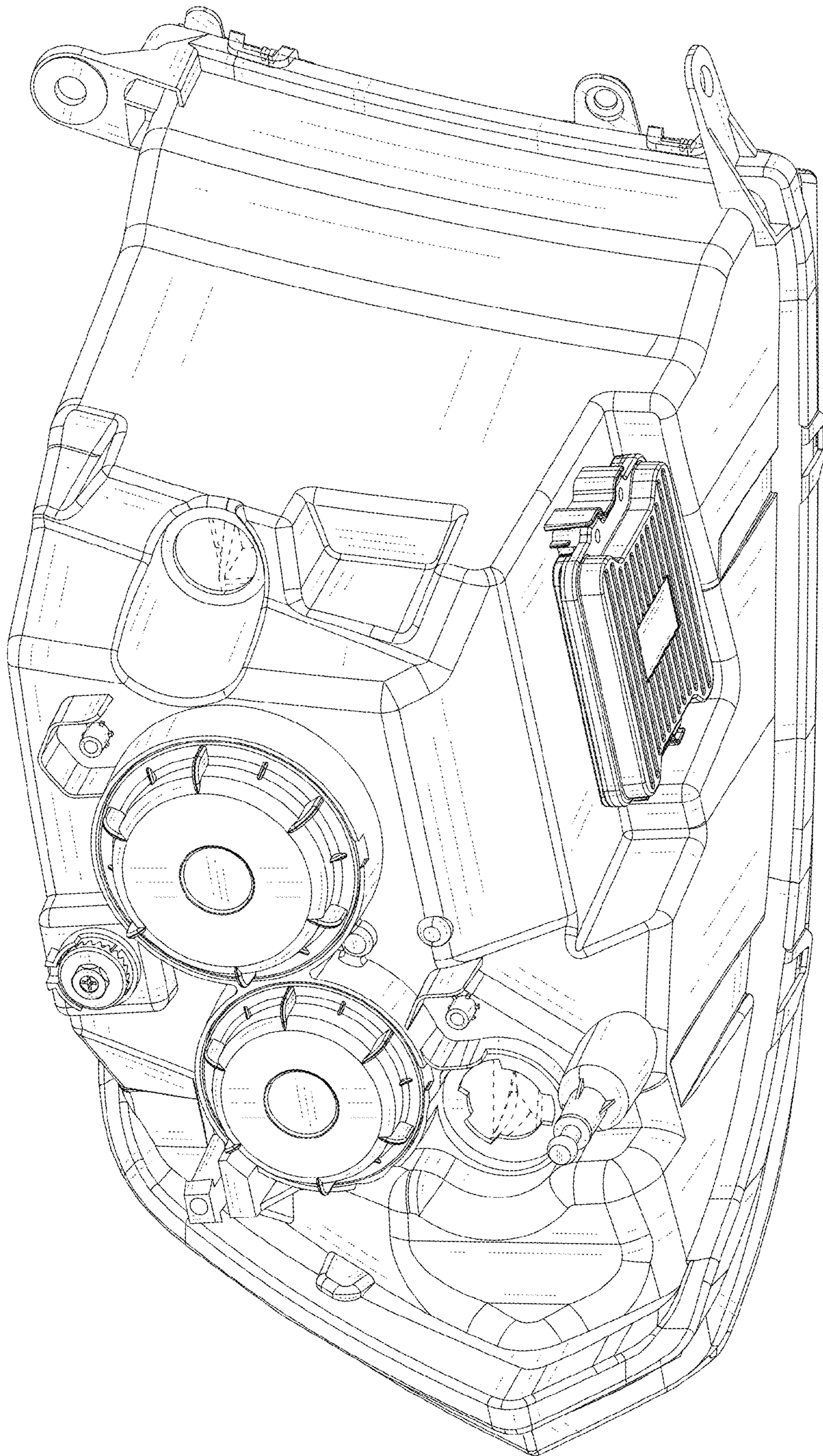


FIG. 2

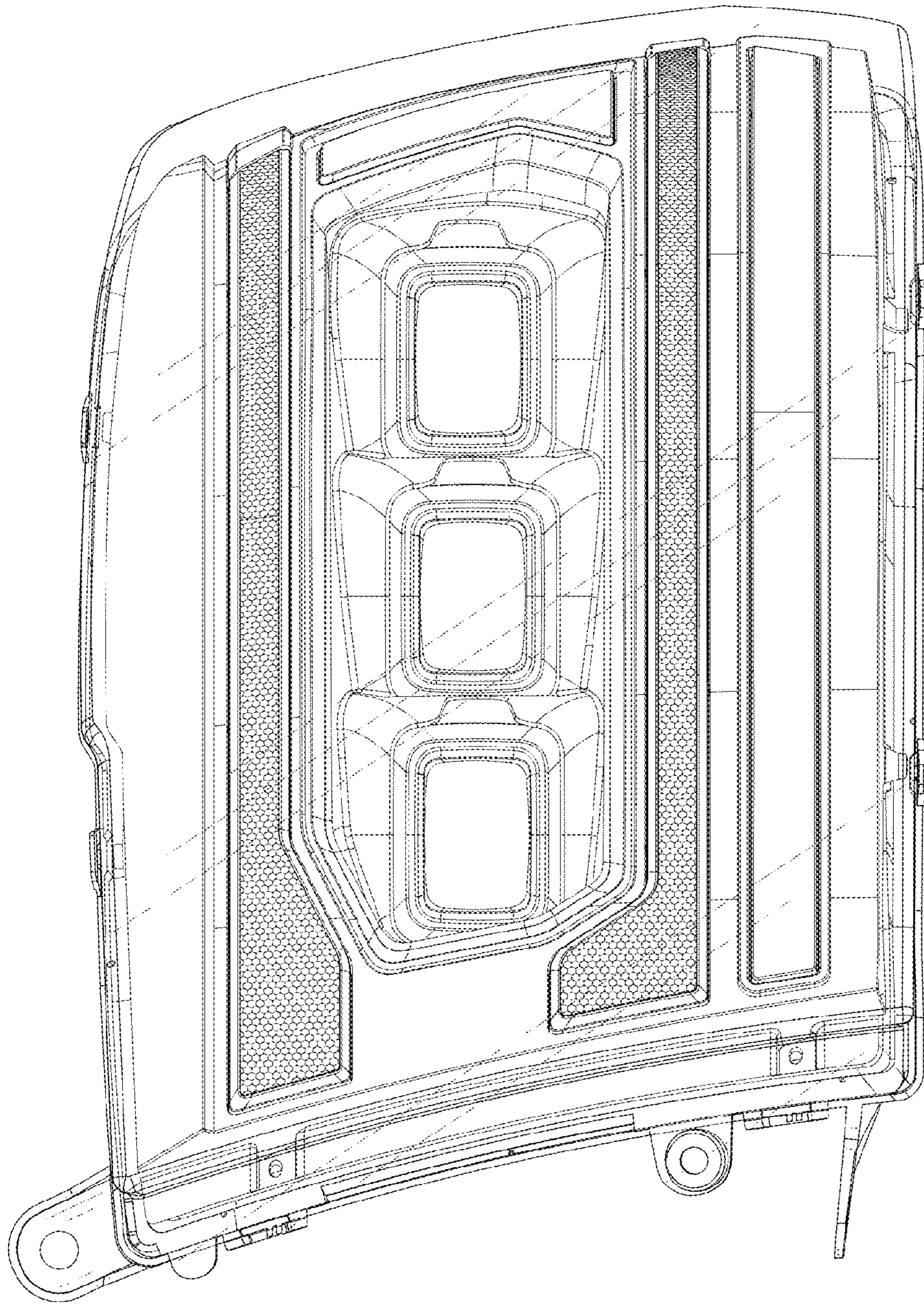


FIG. 3

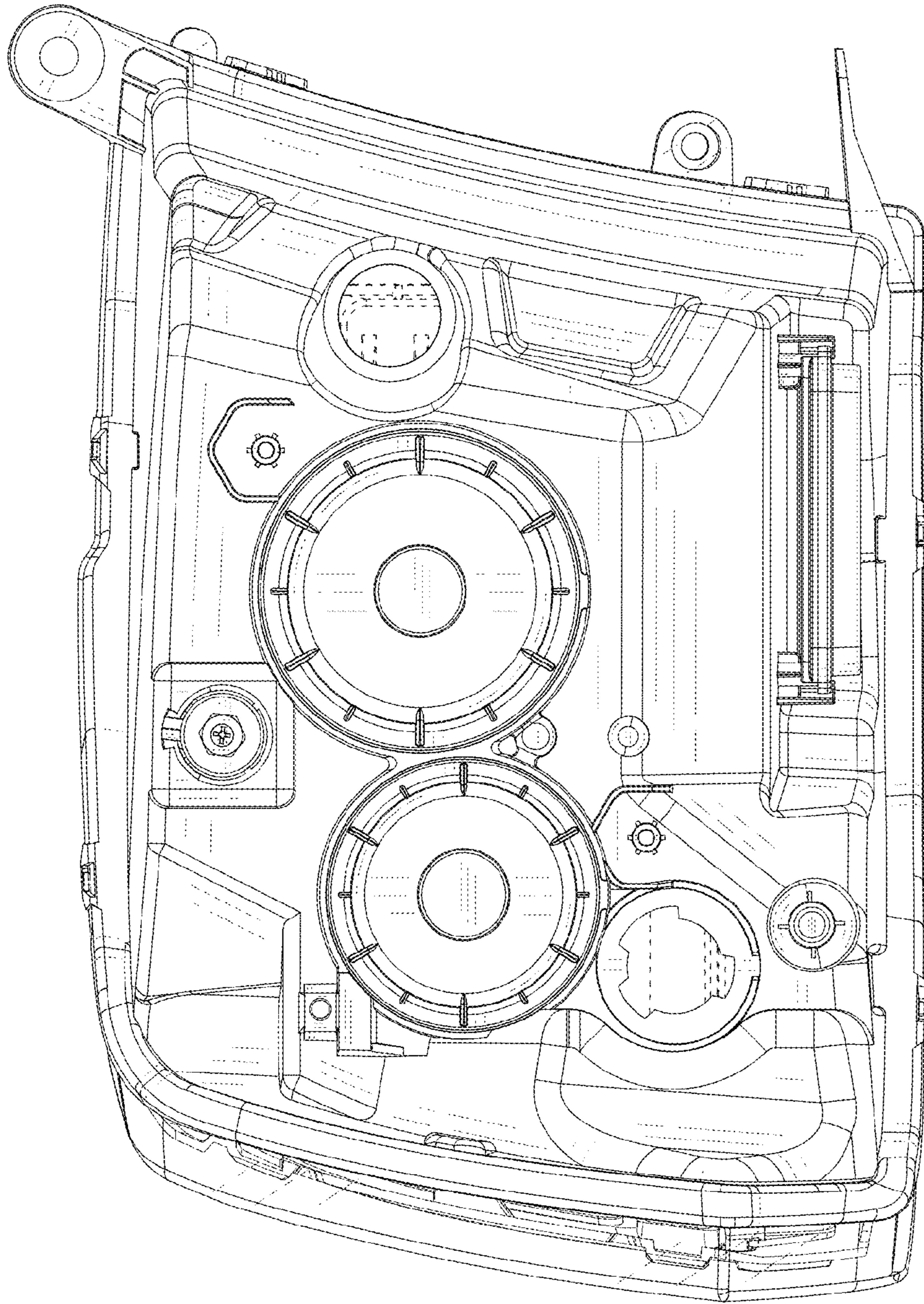


FIG. 4

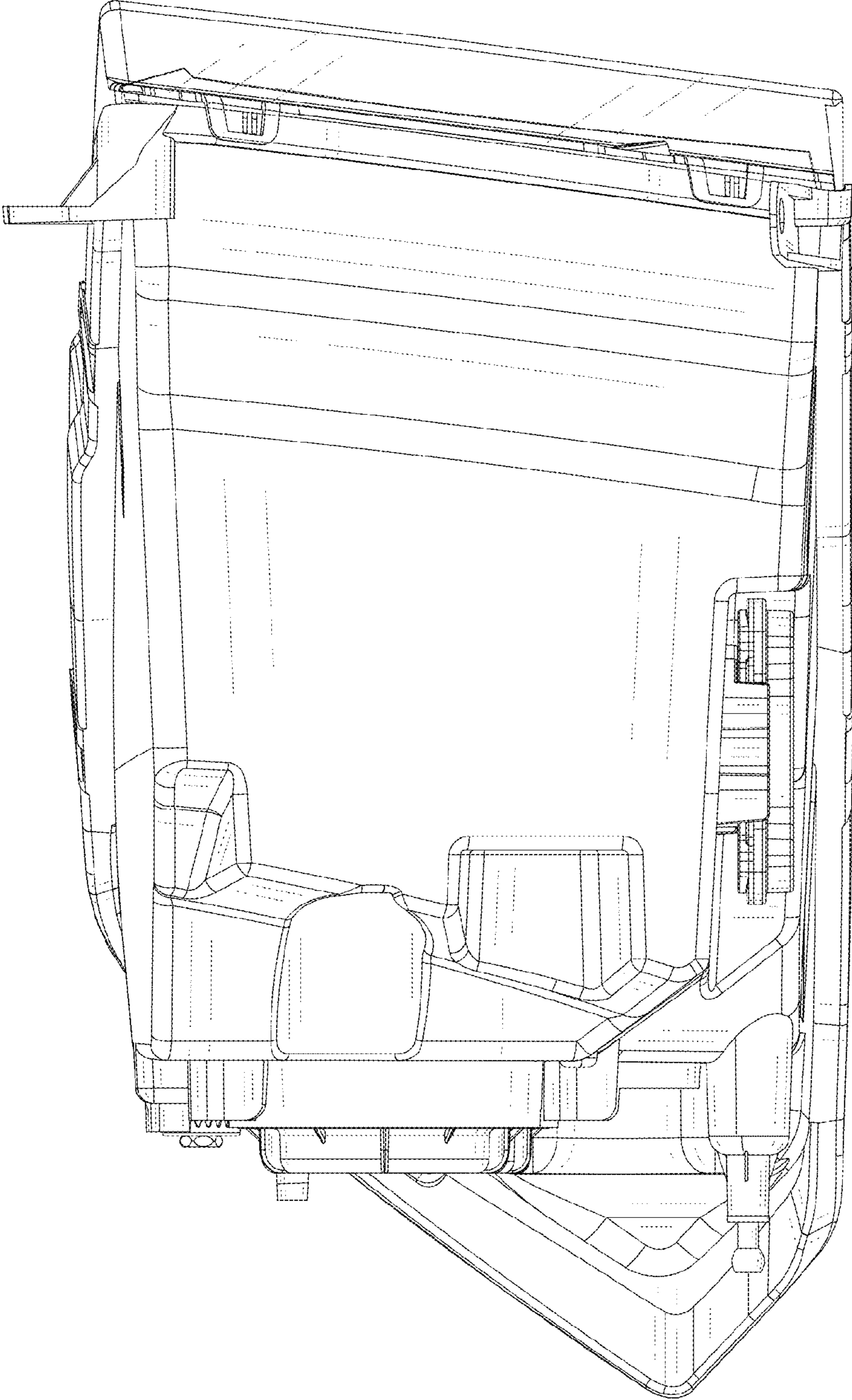


FIG. 5



FIG. 6



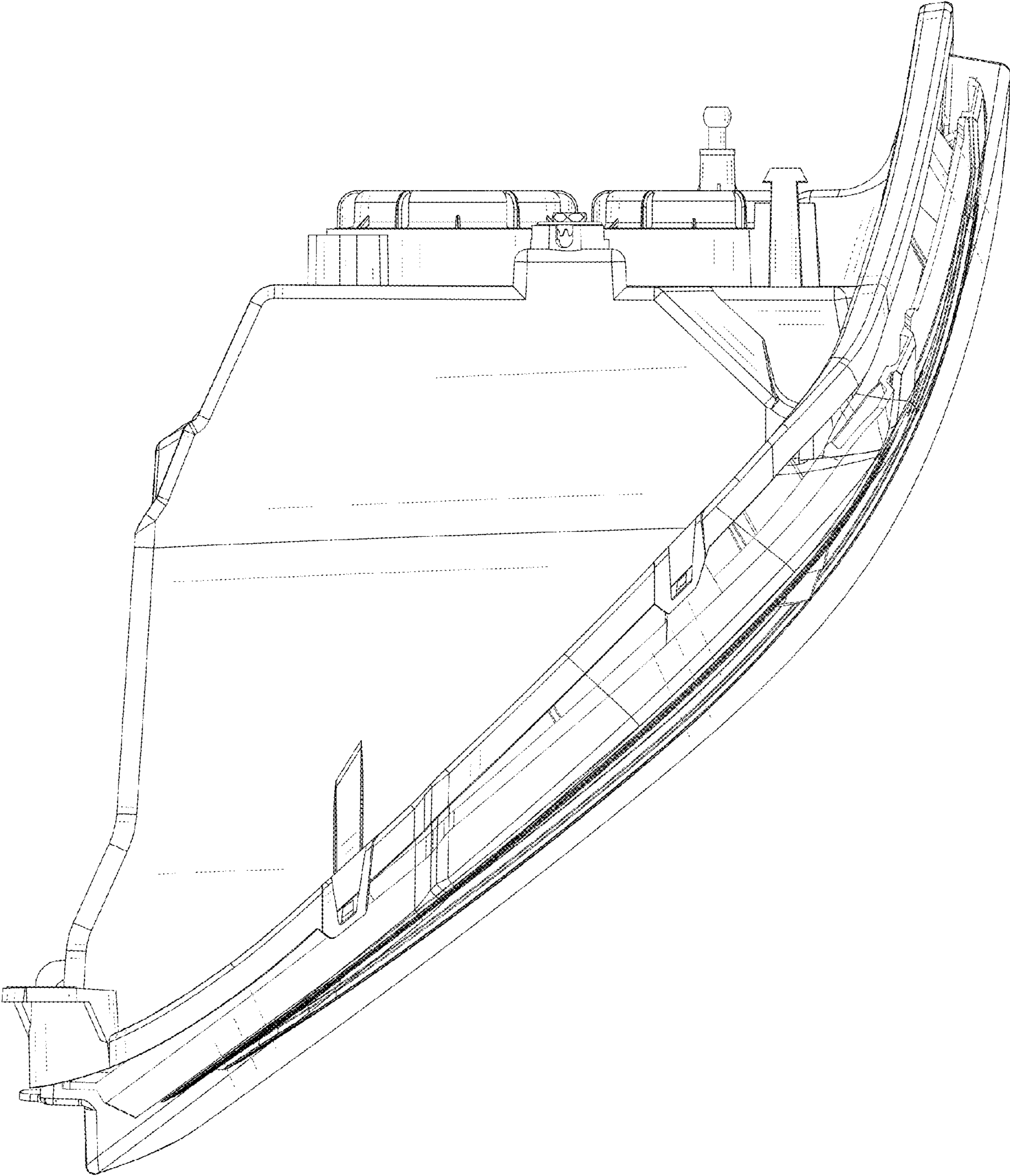


FIG. 7

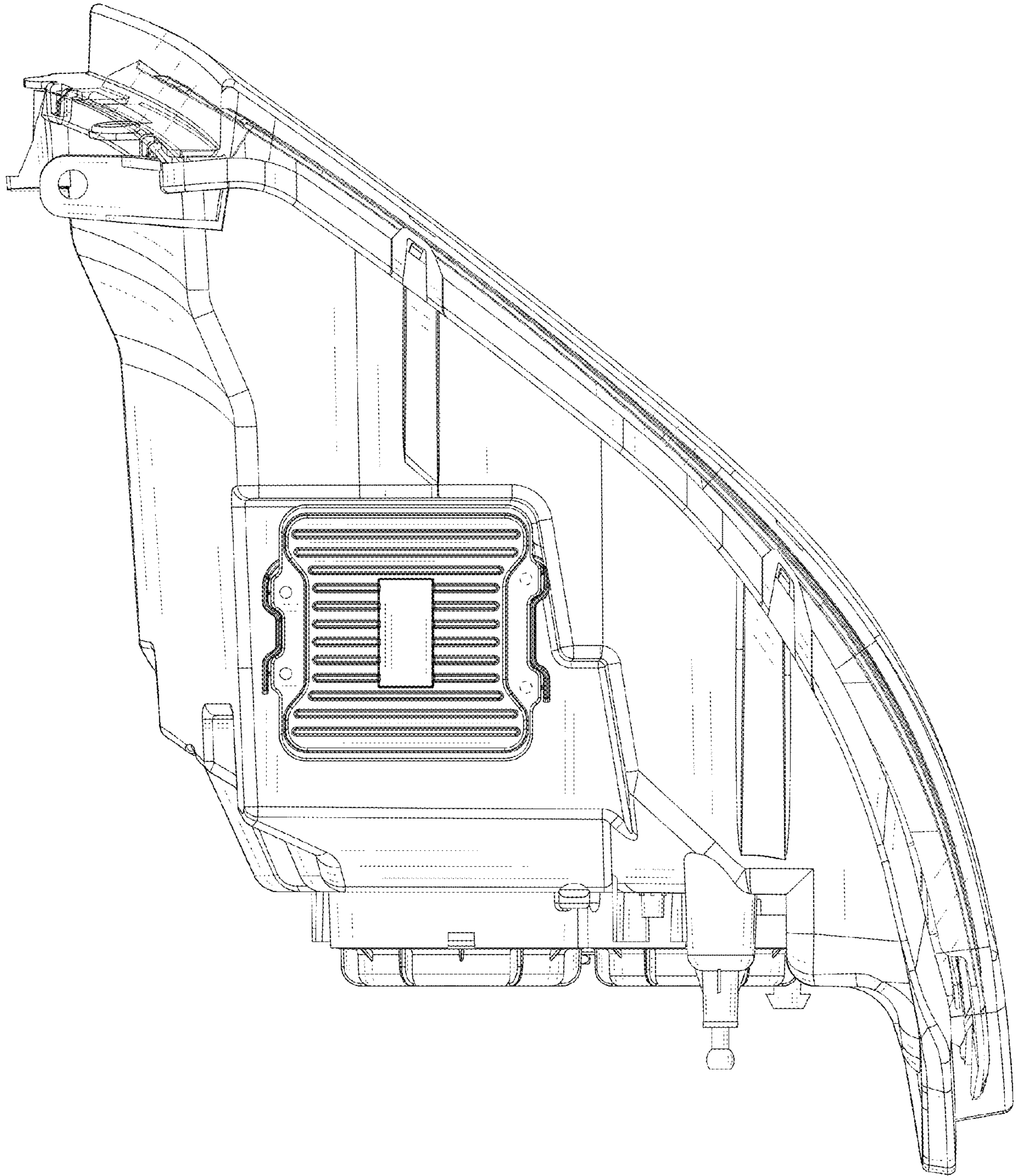


FIG. 8