



US00D987867S

(12) **United States Design Patent** (10) **Patent No.:** **US D987,867 S**
Wang (45) **Date of Patent:** **** May 30, 2023**

(54) **HEADLIGHT**
(71) Applicant: **Zhejiang Yinhong Auto & Motorcycle Accessories Co., Ltd.**, Zhejiang Province (CN)

D892,368 S * 8/2020 Lin D26/28
D916,337 S * 4/2021 Yang D26/28
D919,141 S * 5/2021 Wu D26/28
D921,945 S * 6/2021 Lin D26/28
D927,741 S * 8/2021 Lin D26/28

(Continued)

(72) Inventor: **Hang Wang**, Zhejiang Province (CN)
(73) Assignee: **Zhejiang Yinhong Auto & Motorcycle Accessories Co., Ltd.**, Zhejiang Province (CN)

FOREIGN PATENT DOCUMENTS

CN 306287177 * 1/2021
CN 306287178 * 1/2021

(**) Term: **15 Years**

OTHER PUBLICATIONS

(21) Appl. No.: **29/806,712**

“Pair: 2018+ Ford F150 XBLED Headlights”, available in thehidfactory.com, announced online year—Unknown, Wayback Machine Date Feb. 26, 2021, site visited Jan. 27, 2023, Internet URL: https://thehidfactory.com/product/pair-2018-ford-f150-xb-led-headlights/ (Year: 2021).*

(22) Filed: **Sep. 6, 2021**

(Continued)

(51) **LOC (14) Cl.** **26-06**

(52) **U.S. Cl.**
USPC **D26/28**

(58) **Field of Classification Search**
USPC D26/28, 29, 30, 31, 32, 33, 34, 35, 36,
D26/44, 139

CPC F21S 41/00; F21S 41/43; F21S 41/141;
F21S 43/00; F21S 43/15; F21V 21/04;
F21W 2103/35; F21W 2102/17; F21W
2102/30; F21W 2103/00; F21W 2103/55;
F21W 2104/00; F21W 2107/13; F21W
2107/17

See application file for complete search history.

Primary Examiner — Angela J Lee
Assistant Examiner — Anthony Vincent Rotolo

(57) **CLAIM**

The ornamental design for a headlight, as shown and described.

DESCRIPTION

FIG. 1 is a perspective view of a headlight showing our new design;
FIG. 2 is another perspective view thereof;
FIG. 3 is a front view thereof;
FIG. 4 is a back view thereof;
FIG. 5 is a left view thereof;
FIG. 6 is a right view thereof;
FIG. 7 is a top view thereof; and,
FIG. 8 is a bottom view thereof.

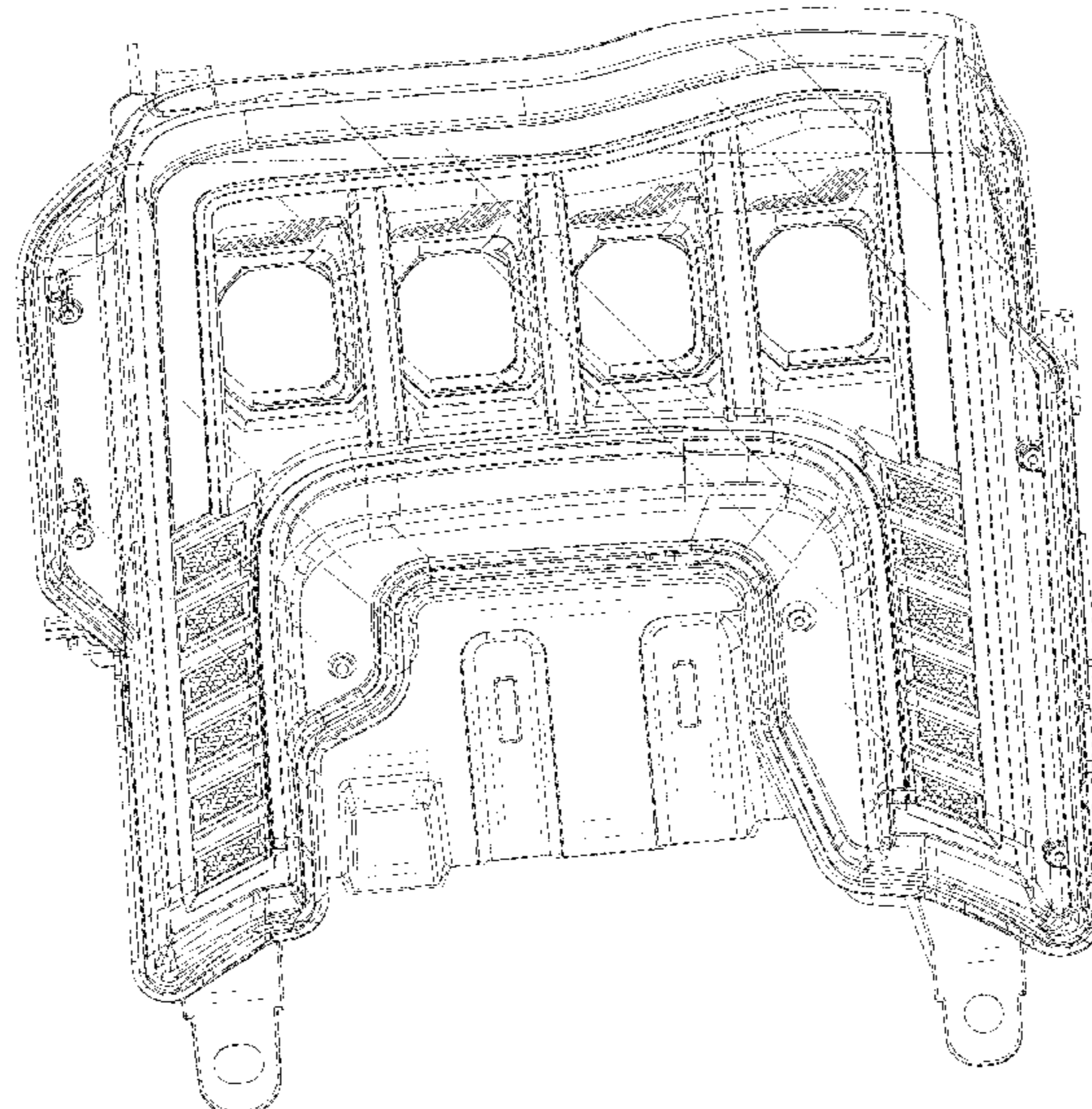
The broken lines shown on the drawings depict portions of the headlight that form no part of the claimed design.

(56) **References Cited**

U.S. PATENT DOCUMENTS

D855,849 S * 8/2019 Lin D26/28
D863,622 S * 10/2019 Wu D26/28
D863,627 S * 10/2019 Lin D26/28
D869,022 S * 12/2019 Wu D26/28
D870,935 S * 12/2019 Wu D26/28
D874,040 S * 1/2020 He D26/28
D883,536 S * 5/2020 Lin D26/28
D888,298 S * 6/2020 Wu D26/28

1 Claim, 8 Drawing Sheets



(56)

References Cited

U.S. PATENT DOCUMENTS

D937,456 S * 11/2021 Lin D26/28

OTHER PUBLICATIONS

“ACANII—For [Halogen Model] 2018-2020 Ford F150”, available in Amazon.com, first available online Nov. 14, 2020, site visited Jan. 27, 2023, Internet URL: https://www.amazon.com/ACANII-2018-2020-Switchback-Projector-Headlights/dp/B08NGXZG5Z/ref=sr_1_33_sspa?crid=1PMFEY3TILBFU&keyword%E2%80%A6=undefined&th=1 (Year: 2020).*

* cited by examiner

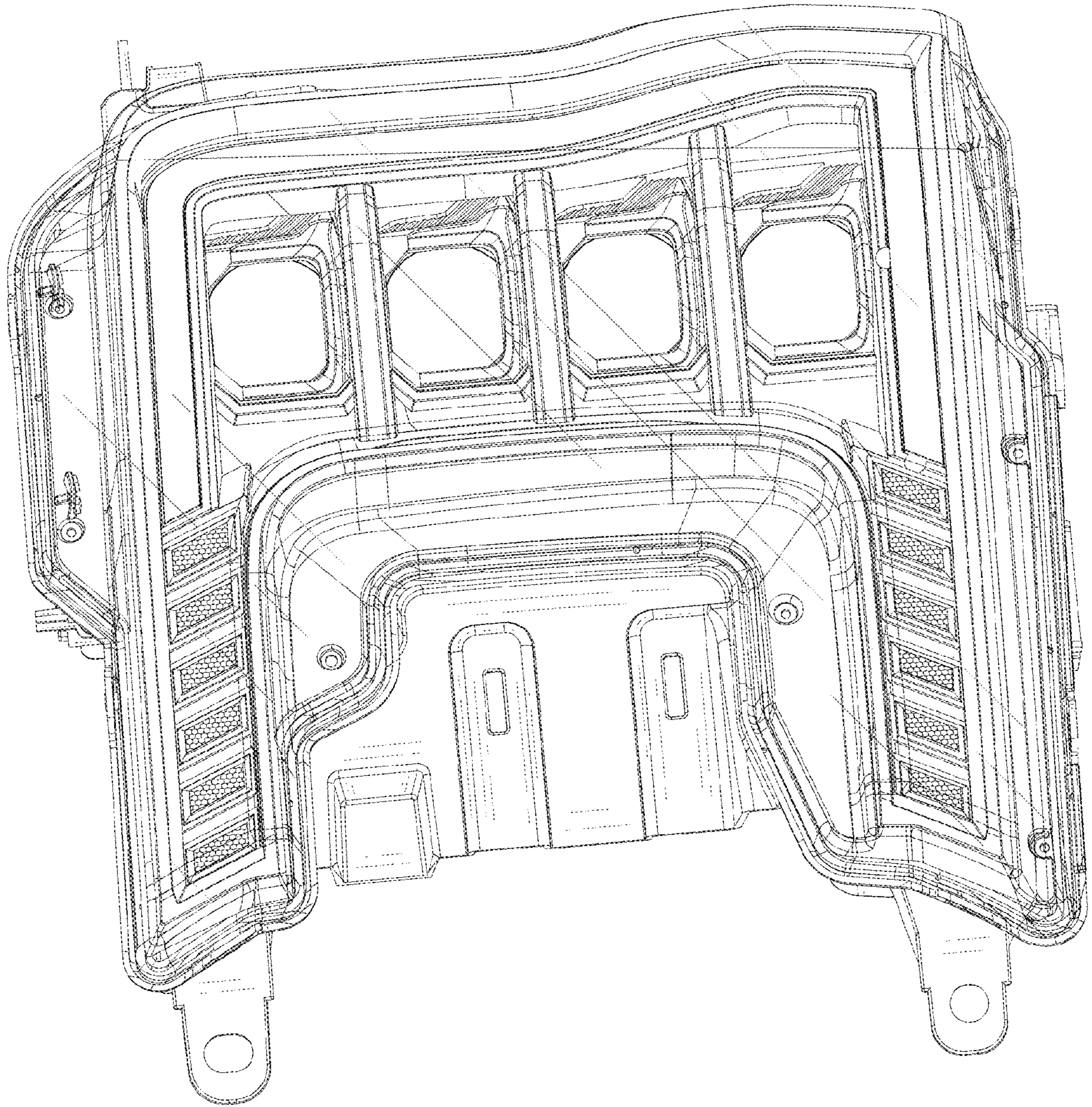


FIG. 1

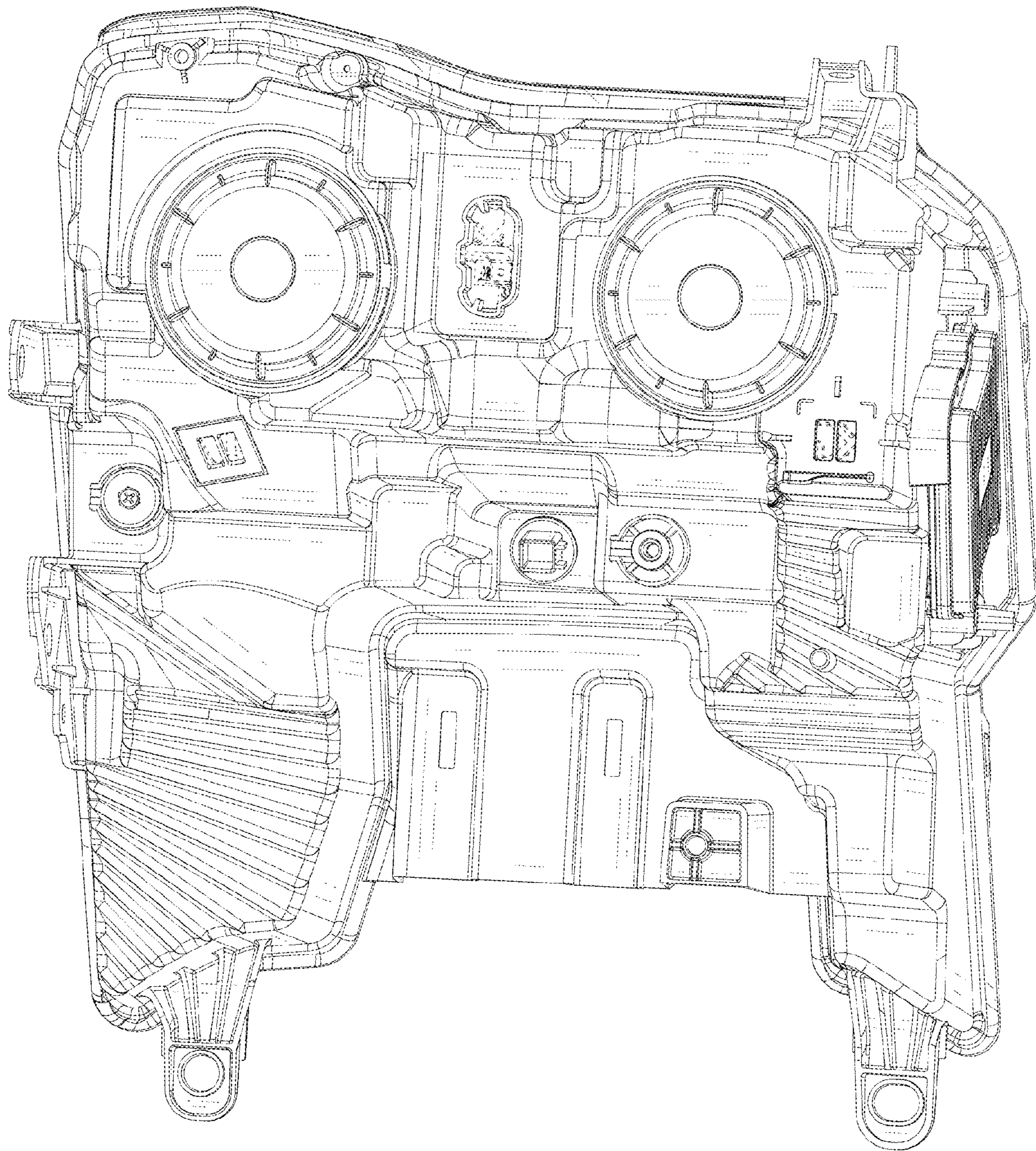


FIG. 2

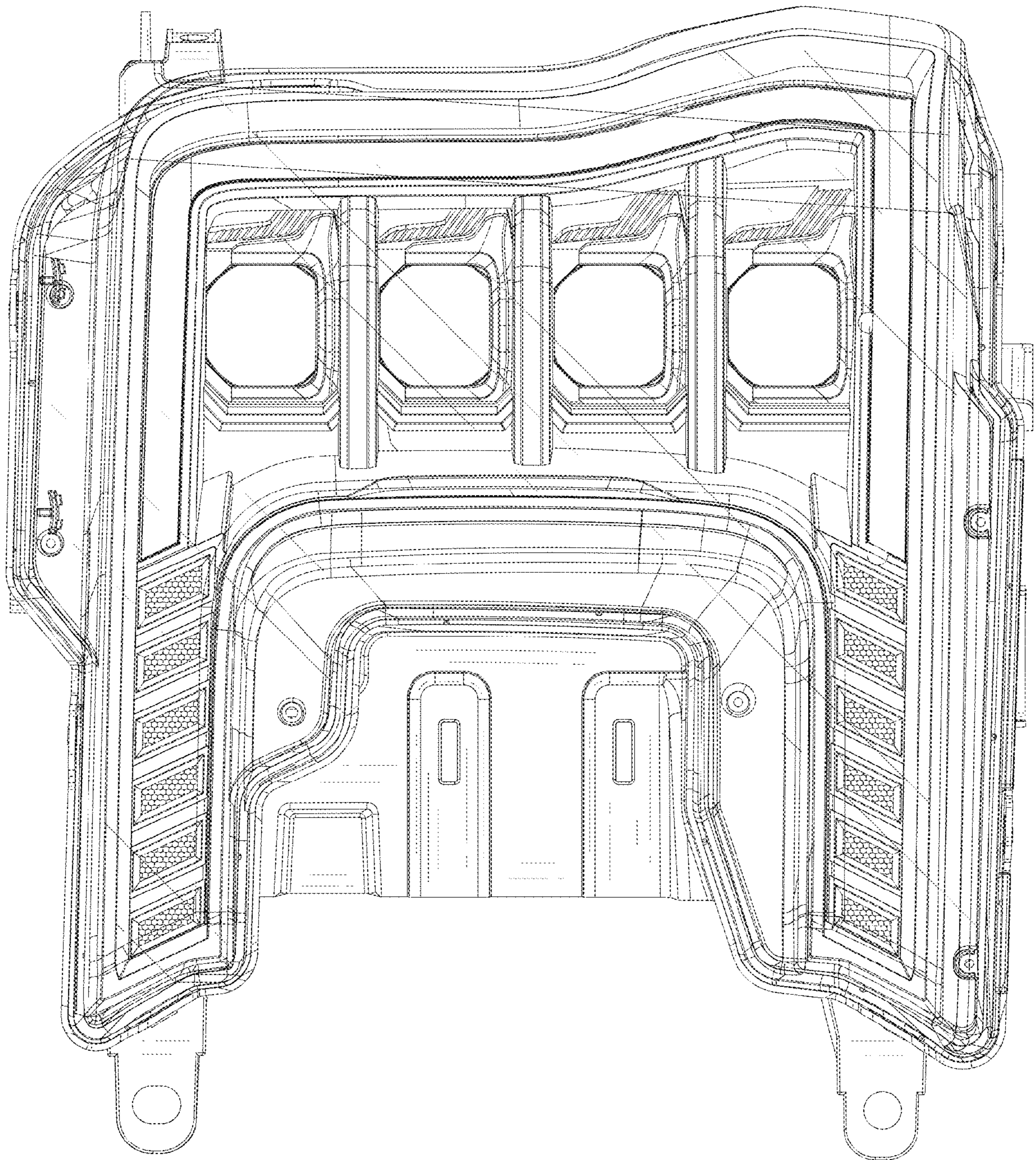


FIG. 3

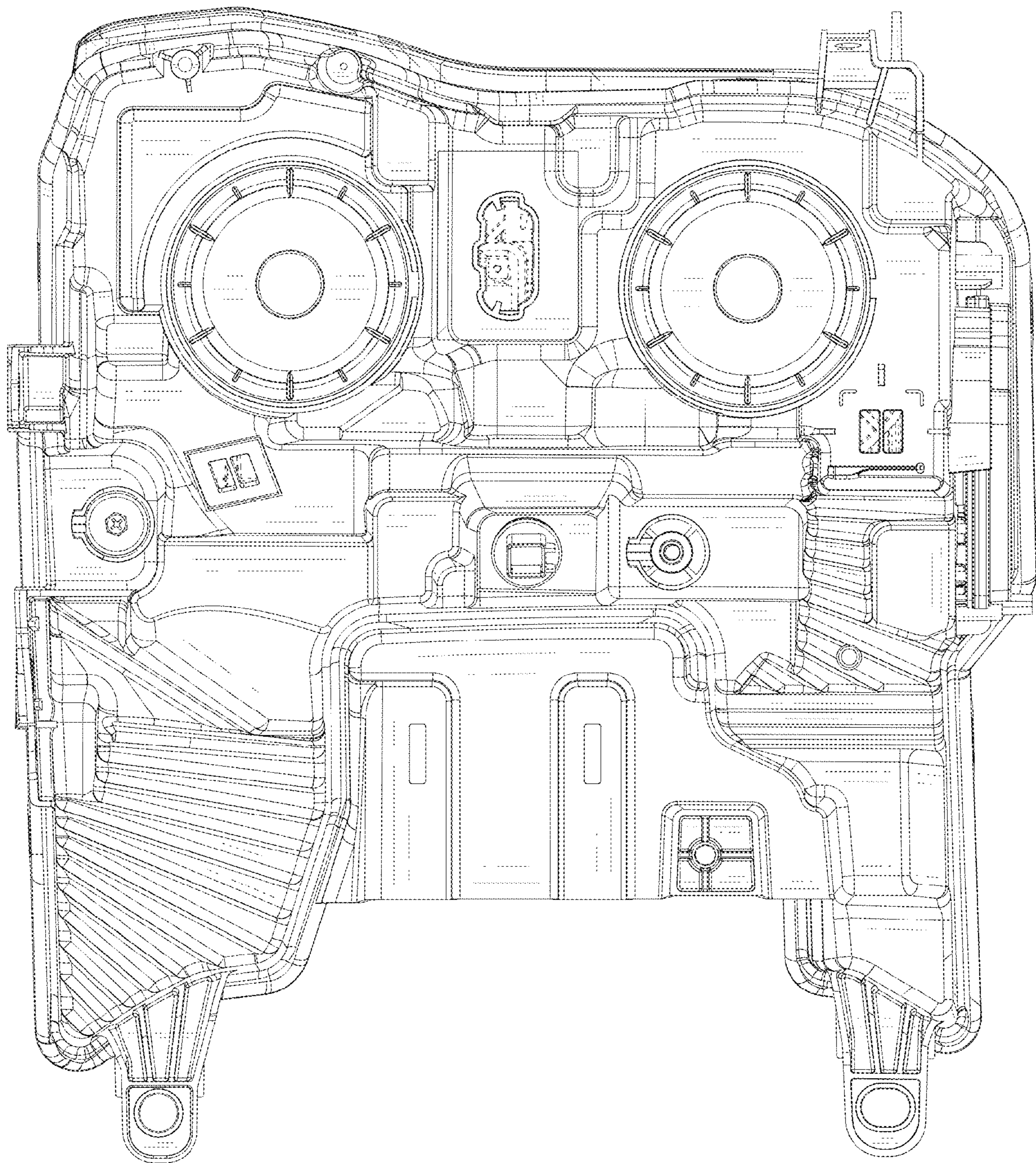


FIG. 4

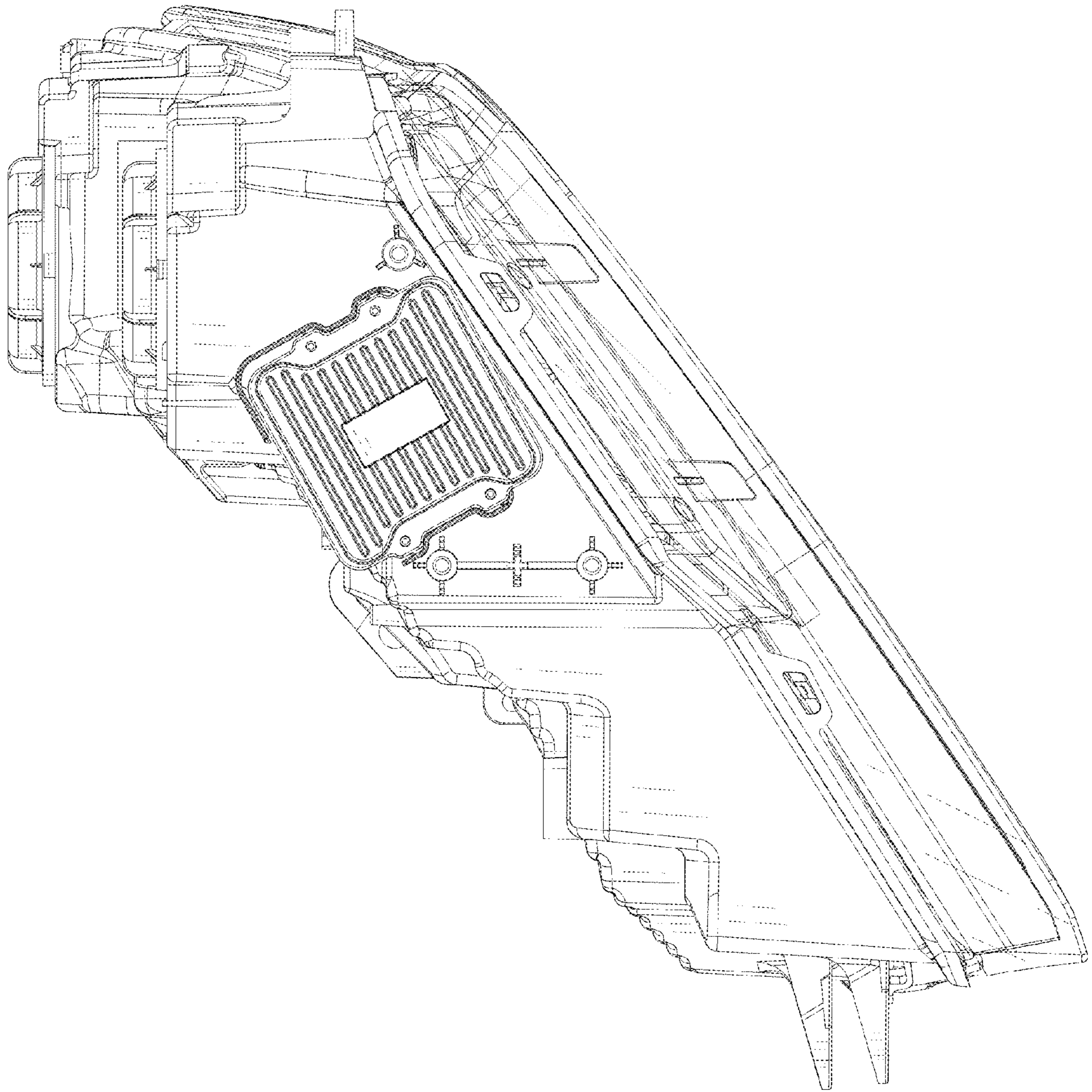


FIG. 5

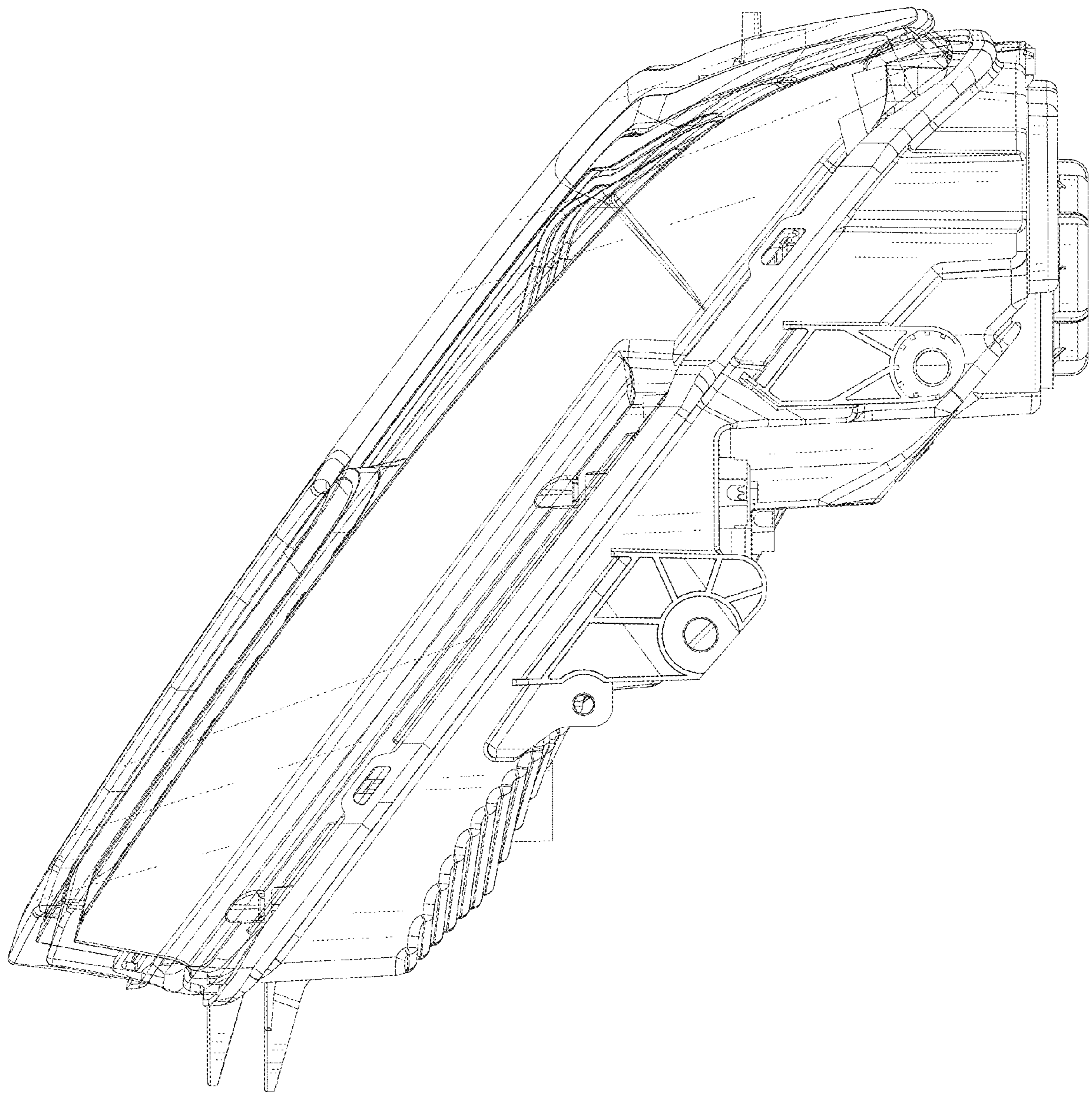


FIG. 6

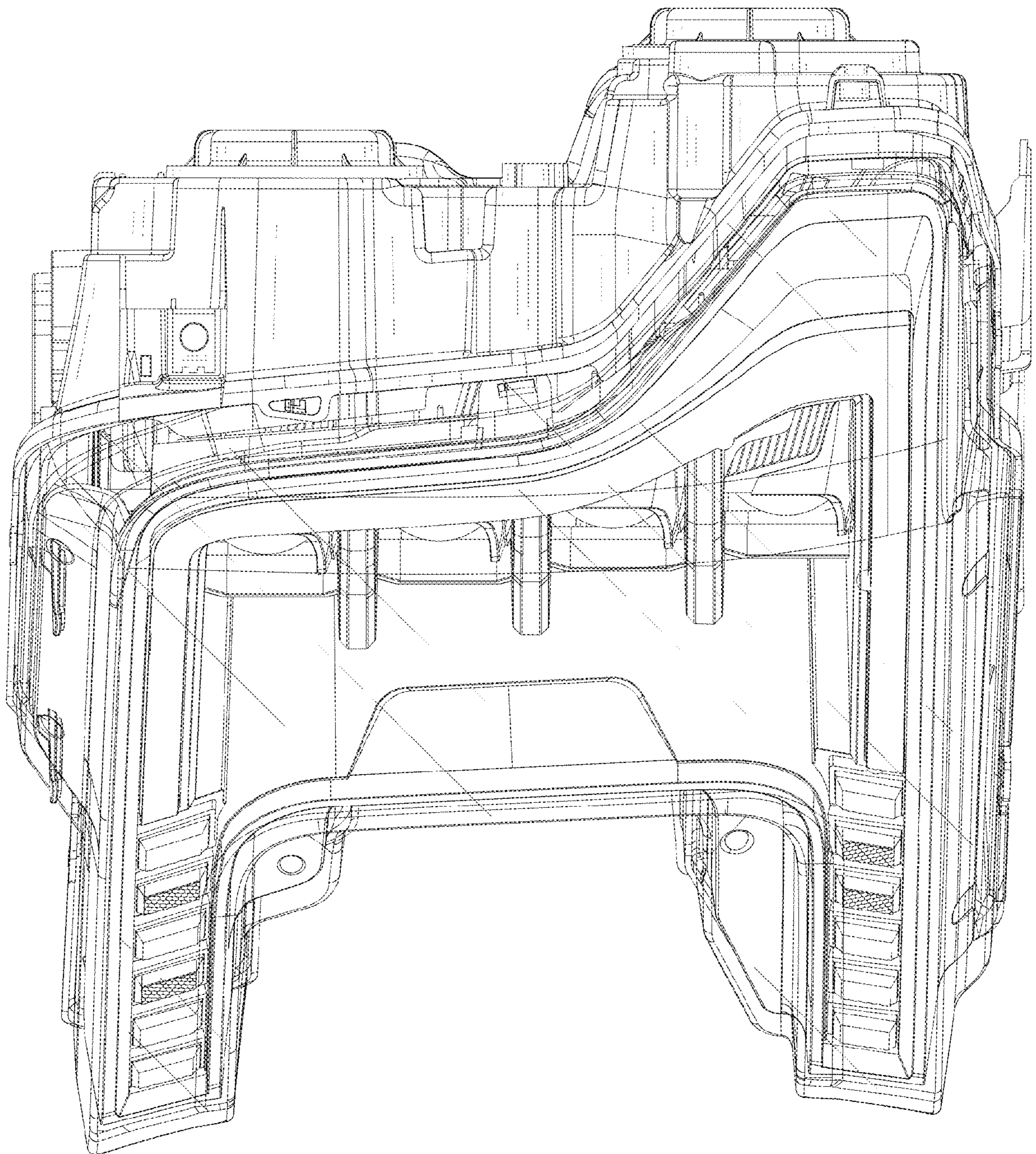


FIG. 7

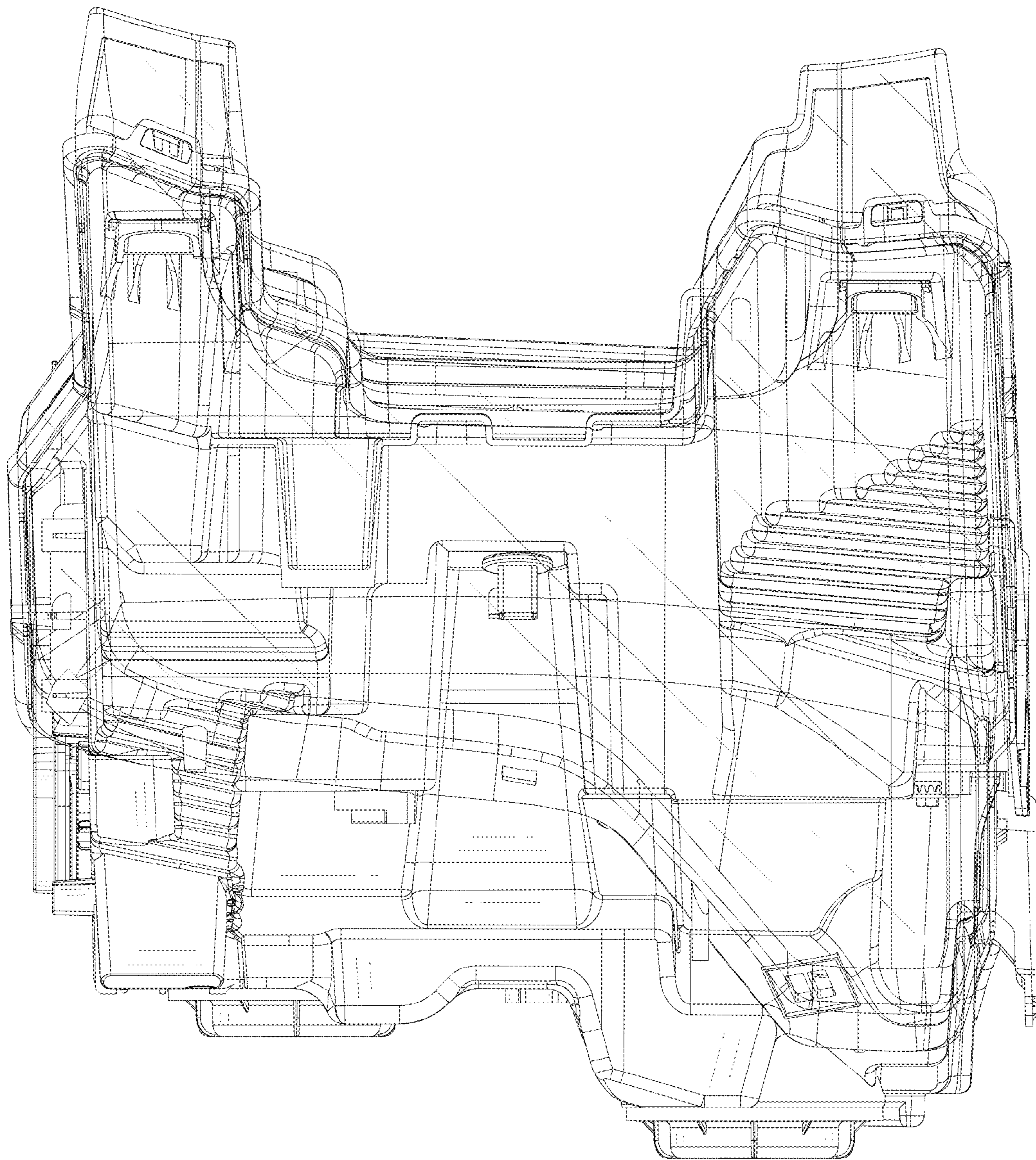


FIG. 8