



US00D987865S

(12) **United States Design Patent** (10) **Patent No.:** **US D987,865 S**
Tsai (45) **Date of Patent:** **** May 30, 2023**

(54) **VEHICLE LAMP**
(71) Applicant: **Hsi-Hsien Tsai**, Tainan (TW)
(72) Inventor: **Hsi-Hsien Tsai**, Tainan (TW)
(73) Assignee: **LUCIDITY ENTERPRISE CO., LTD.**, Tainan (TW)
(**) Term: **15 Years**
(21) Appl. No.: **29/790,464**
(22) Filed: **Nov. 30, 2021**
(51) **LOC (14) Cl.** **26-06**
(52) **U.S. Cl.**
USPC **D26/28**
(58) **Field of Classification Search**
USPC D26/28, 29, 30, 31, 32, 33, 34, 35, 36,
D26/37, 60, 61, 63, 70; D12/181, 183,
D12/196, 400; D10/114.4
CPC F21S 48/10; F21S 48/225; F21S 48/1233;
F21S 48/1266; F21S 48/1388; F21S
43/237; F21S 43/15; F21S 43/00; F21S
41/32; F21S 41/36; F21S 41/50; F21S
41/26; F21S 41/00
See application file for complete search history.

(56) **References Cited**
U.S. PATENT DOCUMENTS
D556,351 S * 11/2007 Tsai D26/28
D661,611 S * 6/2012 Yu D10/114.4
D667,746 S * 9/2012 Yu D10/114.4
D709,221 S * 7/2014 Tsai D26/31
D747,018 S * 1/2016 Hansen D26/28
D788,335 S * 5/2017 Tsai D26/28
D804,066 S * 11/2017 Chen D26/28
D812,256 S * 3/2018 Huntley D26/28
D812,788 S * 3/2018 Sibitzky D26/28
D820,481 S * 6/2018 Yates D26/28
D820,486 S * 6/2018 Shen D26/28

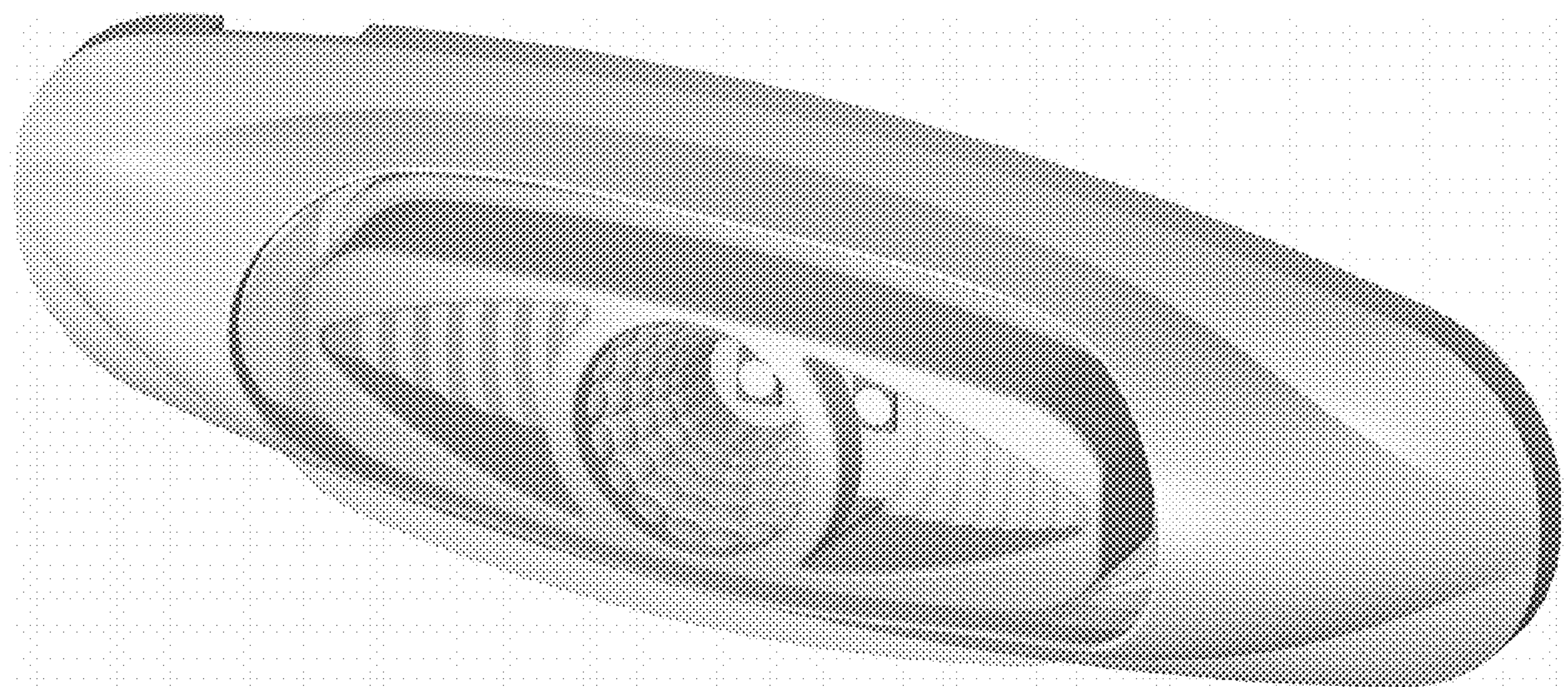
D852,392 S * 6/2019 Chen D26/28
D859,704 S * 9/2019 Norris B60Q 1/22
D26/28
D864,433 S * 10/2019 Liu D26/28
D864,442 S * 10/2019 Tsai D26/28
D866,020 S * 11/2019 Huntley D26/28
D870,585 S * 12/2019 Lyons D10/114.4
D880,027 S * 3/2020 Horn D26/28
D882,130 S * 4/2020 Liu D26/28
D883,529 S * 5/2020 Tsai D26/28
D913,539 S * 3/2021 Maxey D26/28
D913,540 S * 3/2021 Maxey D26/28
D928,352 S * 8/2021 Yuan D26/28
D957,704 S * 7/2022 Tian D26/28
D967,476 S * 10/2022 Tang D26/28
D972,753 S * 12/2022 Lin D26/28

* cited by examiner
Primary Examiner — Shawn T Gingrich
Assistant Examiner — Kathryn Elizabeth Chambers

(57) **CLAIM**
The ornamental design for a vehicle lamp, as shown and described.

DESCRIPTION
The patent or application file contains at least one drawing executed in color. Copies of this patent or patent application publication with color drawing(s) will be provided by the Office upon request and payment of the necessary fee.
FIG. 1 is a perspective view of a vehicle lamp showing my design;
FIG. 2 is a front elevational view thereof;
FIG. 3 is a rear elevational view thereof;
FIG. 4 is a left side elevational view thereof;
FIG. 5 is a right side elevational view thereof;
FIG. 6 is a top plan view thereof; and,
FIG. 7 is a bottom plan view.

1 Claim, 7 Drawing Sheets
(7 of 7 Drawing Sheet(s) Filed in Color)



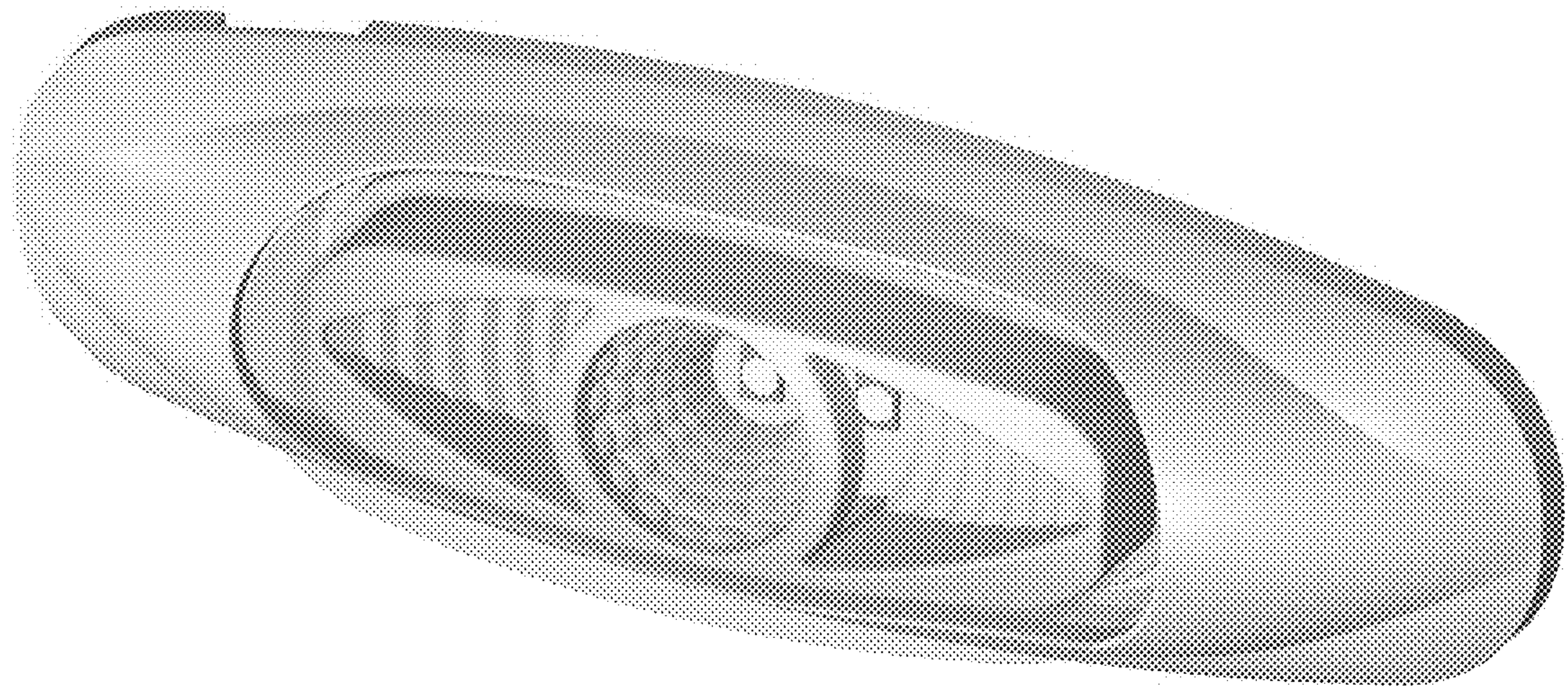


FIG.1

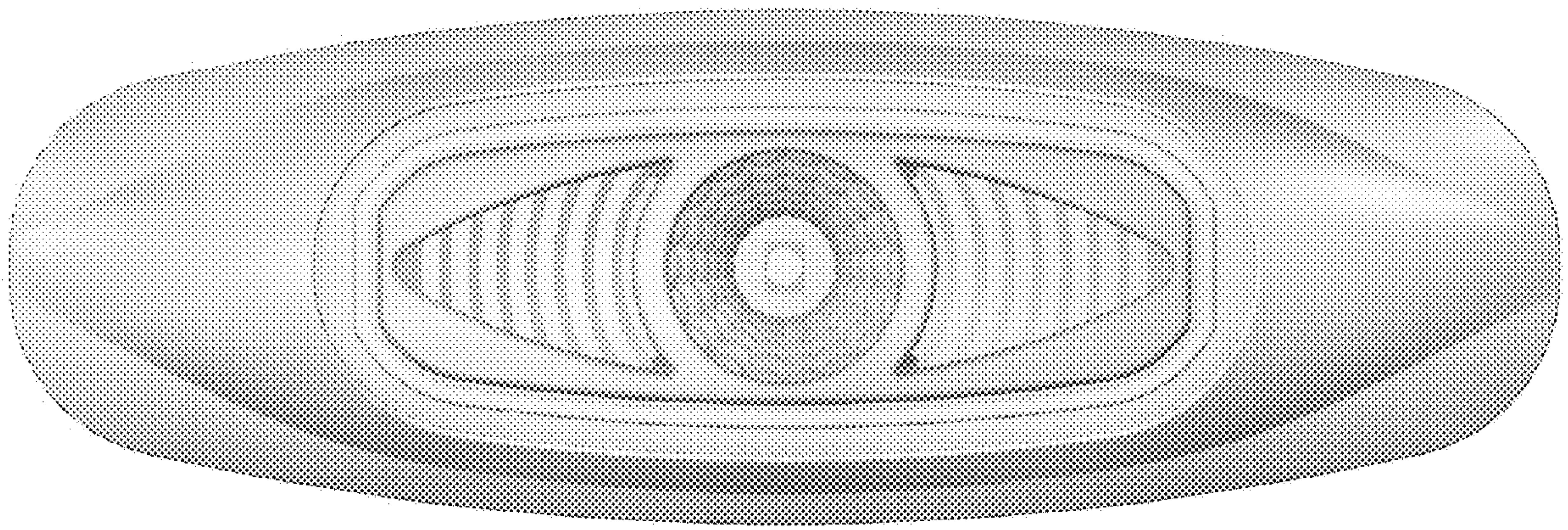


FIG.2

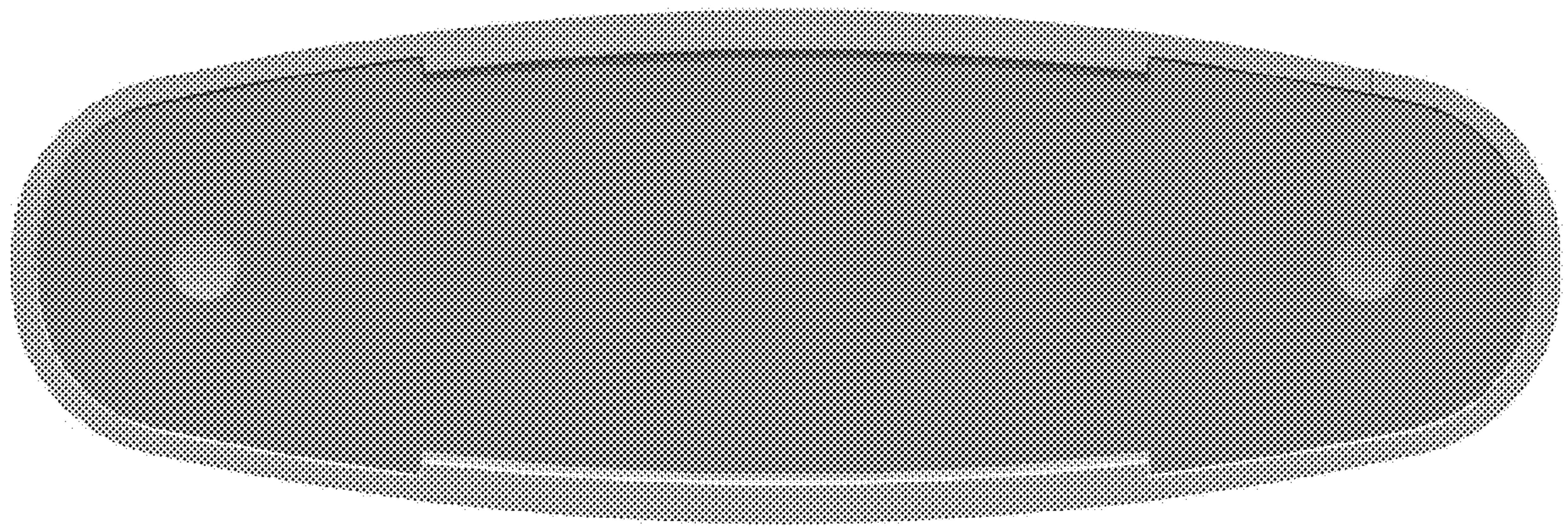


FIG.3

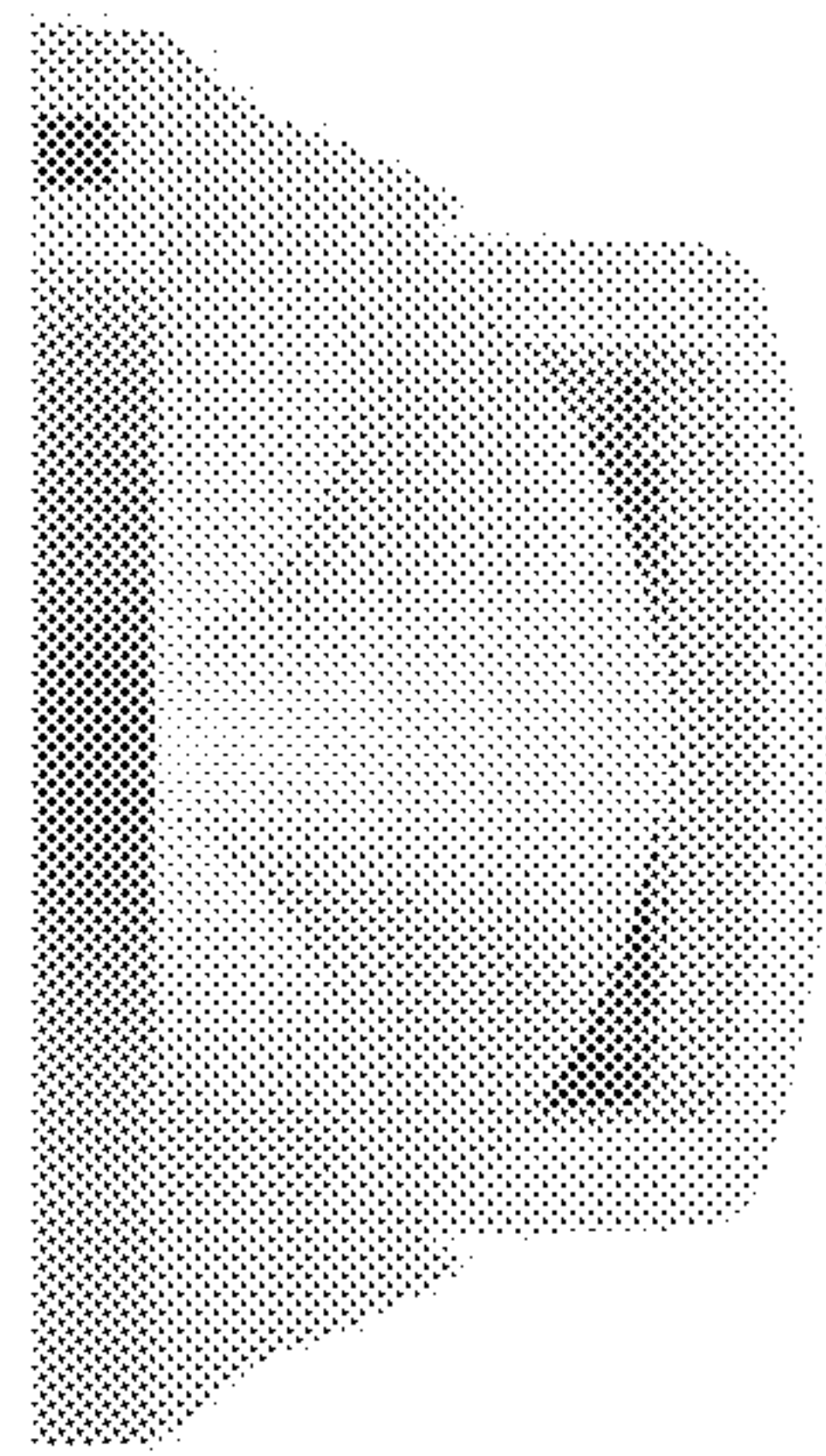


FIG.4

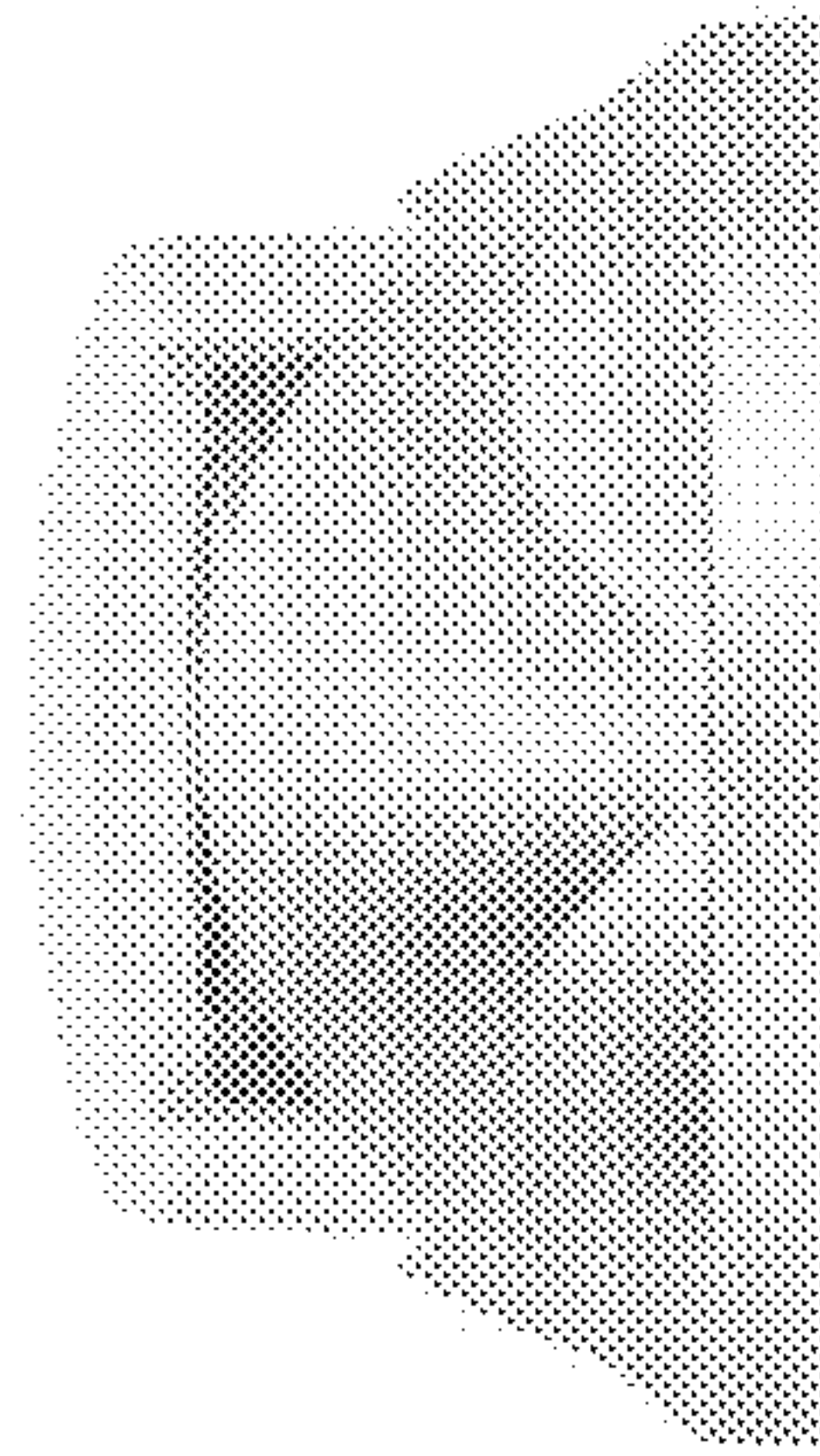


FIG.5

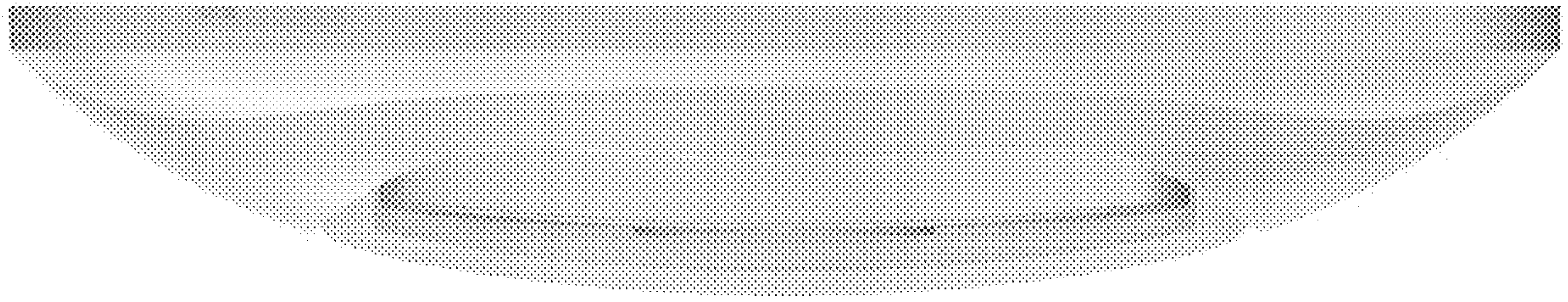


FIG.6

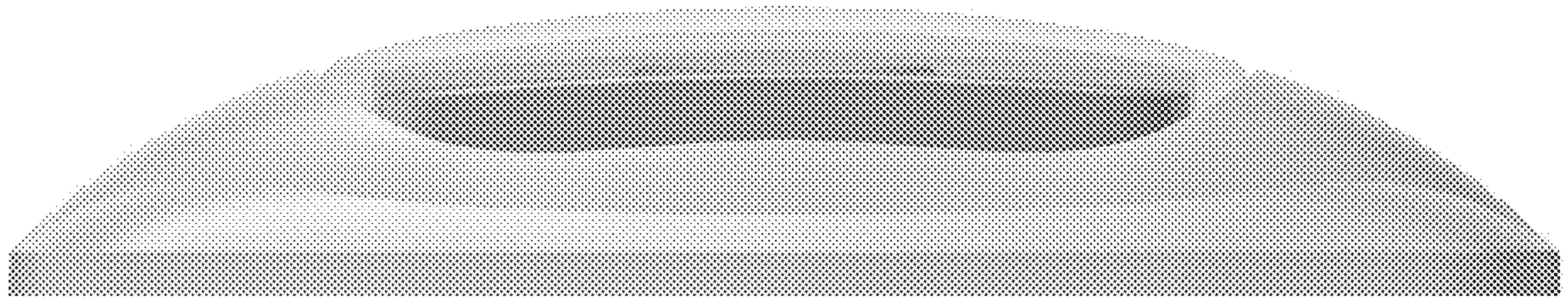


FIG.7