



US00D987863S

(12) **United States Design Patent**  
**Chang**

(10) **Patent No.:** **US D987,863 S**

(45) **Date of Patent:** **\*\* May 30, 2023**

(54) **LIGHTING UNIT FOR VEHICLE LIGHT**

(71) Applicant: **SONAR AUTO PARTS CO., LTD.**,  
New Taipei City (TW)

(72) Inventor: **Chung-Yi Chang**, Hsinchu County (TW)

(73) Assignee: **SONAR AUTO PARTS CO., LTD.**,  
New Taipei City (TW)

(\*\*) Term: **15 Years**

(21) Appl. No.: **29/757,983**

(22) Filed: **Nov. 11, 2020**

(51) **LOC (14) Cl.** ..... **26-06**

(52) **U.S. Cl.**  
USPC ..... **D26/28**

(58) **Field of Classification Search**  
USPC ..... D26/28, 122, 123, 36, 34, 35  
CPC ... F21S 41/32; F21S 41/20; F21S 41/36; F21S  
41/40; F21S 41/50; F21V 21/04  
See application file for complete search history.

(56) **References Cited**

**U.S. PATENT DOCUMENTS**

D882,833	S *	4/2020	Wu	.....	D26/28
D885,645	S *	5/2020	Dennis et al.	.....	D26/118
D886,338	S *	6/2020	Wu	.....	D26/28
D886,340	S *	6/2020	Wu	.....	D26/28
D886,341	S *	6/2020	Wu	.....	D26/28
D909,637	S *	2/2021	Wu	.....	D26/28
11,001,193	B2*	5/2021	Letoumelin et al.	..	F21S 41/151
11,047,545	B1*	6/2021	Chang	.....	F21S 41/26
D927,740	S *	8/2021	You et al.	.....	D26/28
D928,997	S *	8/2021	Korpi	.....	D26/24
D930,200	S *	9/2021	Kellermann	.....	D26/136
D944,428	S *	2/2022	Tang	.....	D26/28
D956,328	S *	6/2022	Owens et al.	.....	D26/118

D957,023	S *	7/2022	Greenwaldt et al.	.....	D26/63
20210164632	A1*	6/2021	Pan et al.	.....	F21S 41/321
20210231278	A1*	7/2021	Zhang et al.	.....	F21S 41/143
20210356090	A1*	11/2021	Zhang et al.	.....	F21S 41/25
20220018512	A1*	1/2022	Kay	.....	F21S 41/148
20220163182	A1*	5/2022	Mitterlehner	.....	F21S 41/675

**FOREIGN PATENT DOCUMENTS**

TW	D196645	S	3/2019
TW	D196646	S	3/2019
TW	D196647	S	3/2019

\* cited by examiner

*Primary Examiner* — Shawn T Gingrich  
*Assistant Examiner* — Kathryn Elizabeth Chambers  
(74) *Attorney, Agent, or Firm* — Li & Cai Intellectual  
Property (USA) Office

(57) **CLAIM**

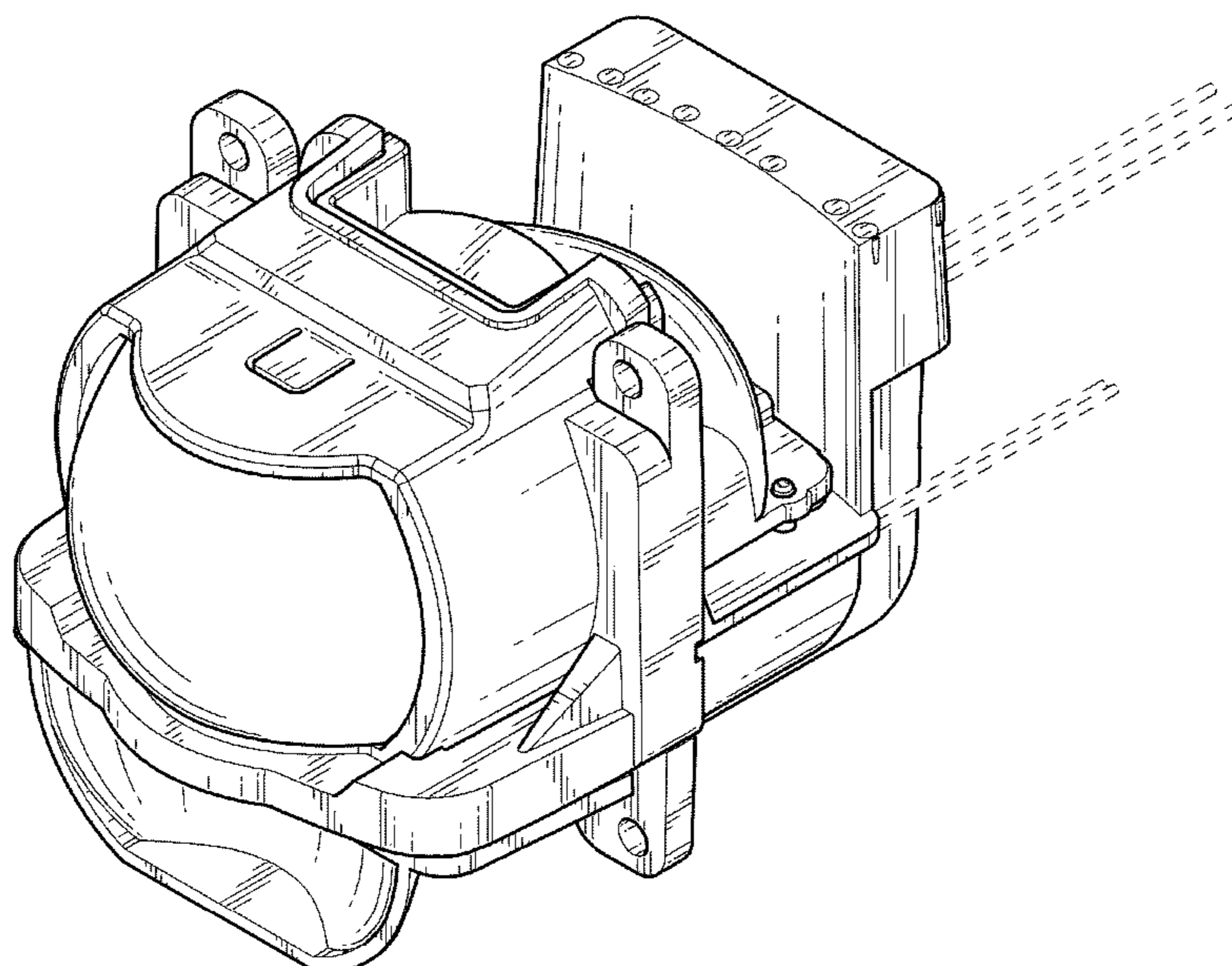
The ornamental design for a lighting unit for vehicle light as shown and described.

**DESCRIPTION**

FIG. 1 is a front, right side and top perspective view of a lighting unit for vehicle light showing the claimed design; FIG. 2 is a front elevational view thereof; FIG. 3 is a rear elevational view thereof; FIG. 4 is a left side elevational view thereof; FIG. 5 is a right side elevational view thereof; FIG. 6 is a top plan view thereof; and FIG. 7 is a bottom plan view thereof; and FIG. 8 is a rear, left side and bottom perspective view thereof.

The dashed broken lines in the drawing depict portions of the lighting unit for vehicle that form no part of the claimed design.

**1 Claim, 8 Drawing Sheets**



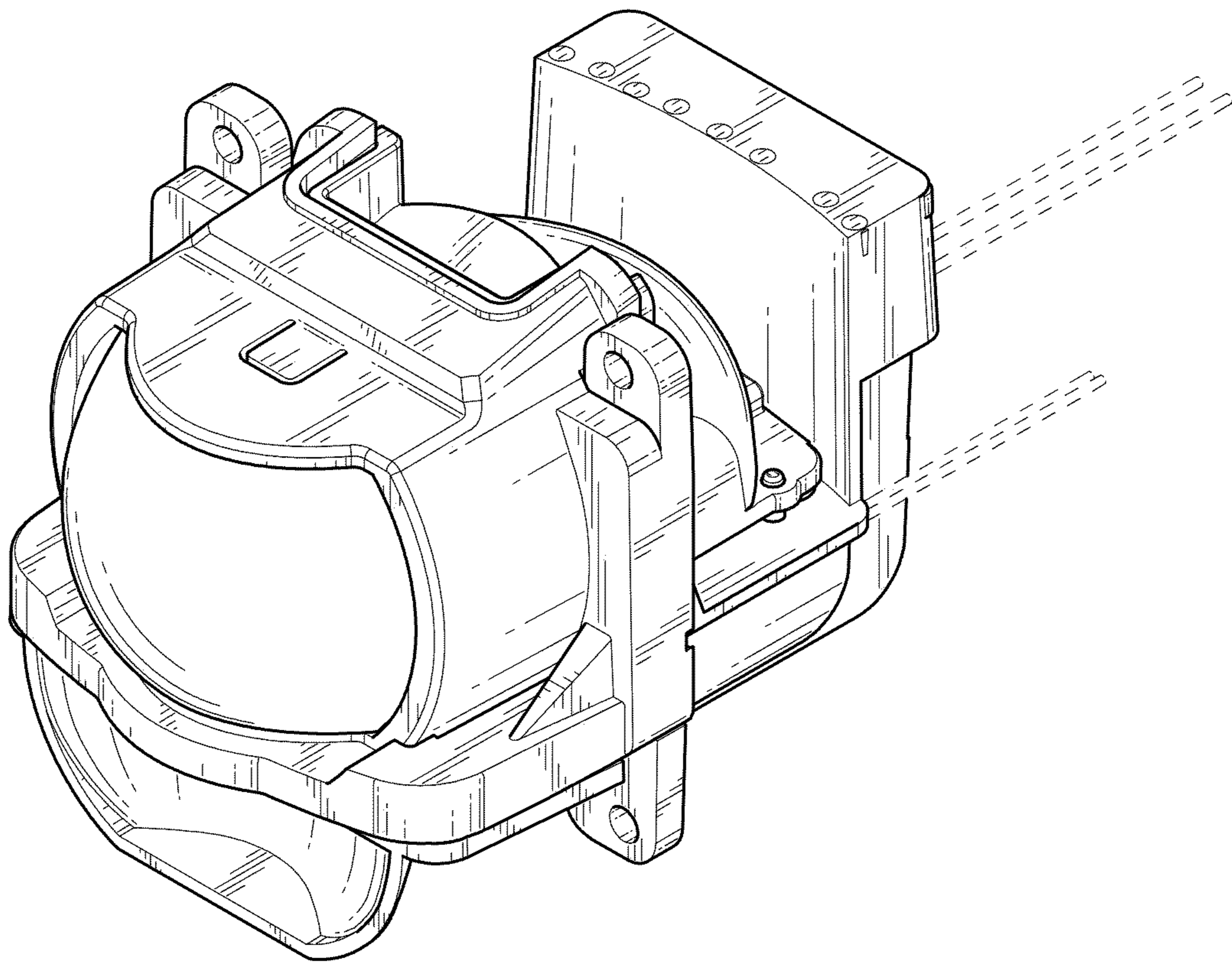


FIG. 1

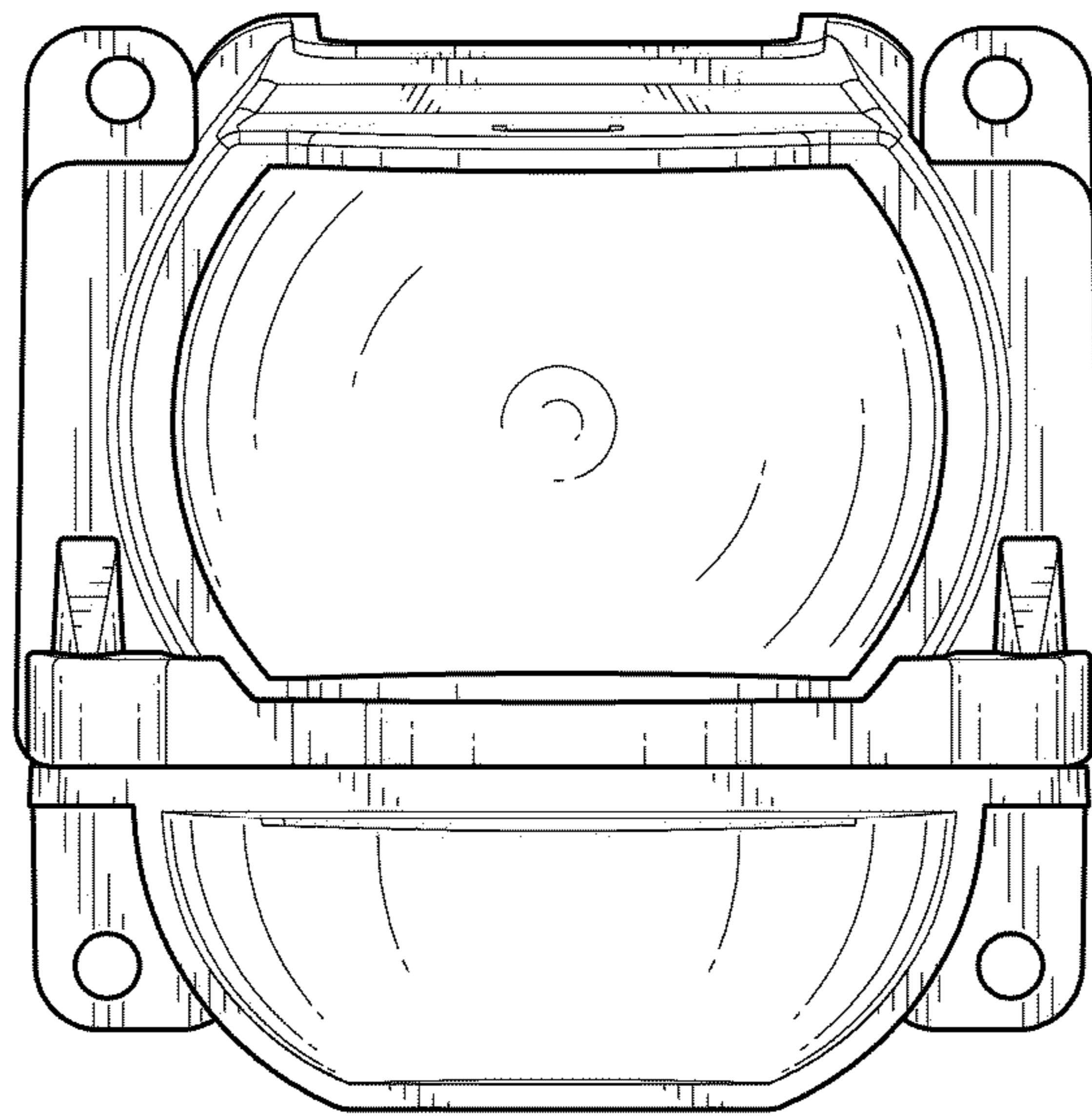


FIG. 2

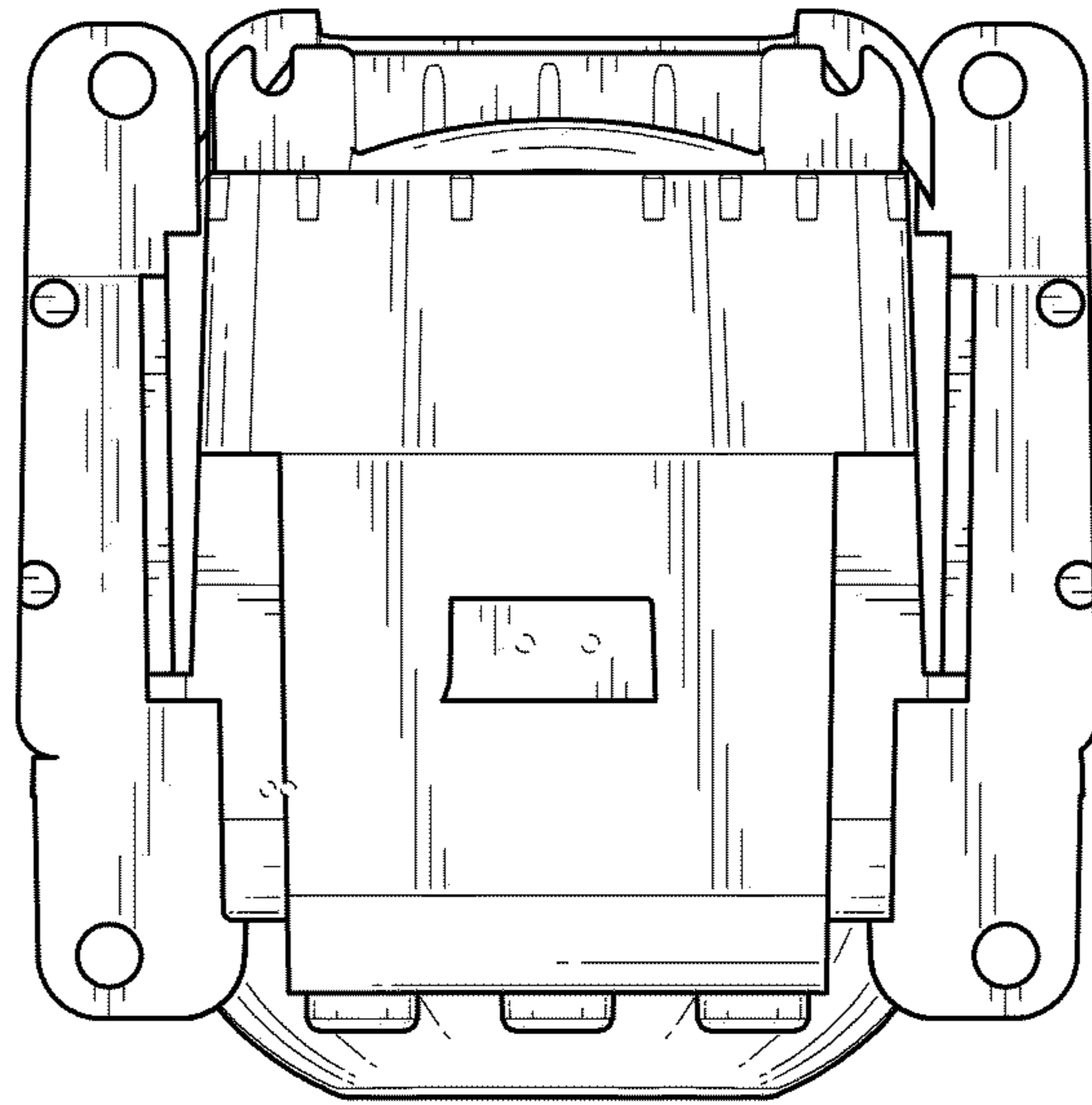


FIG. 3

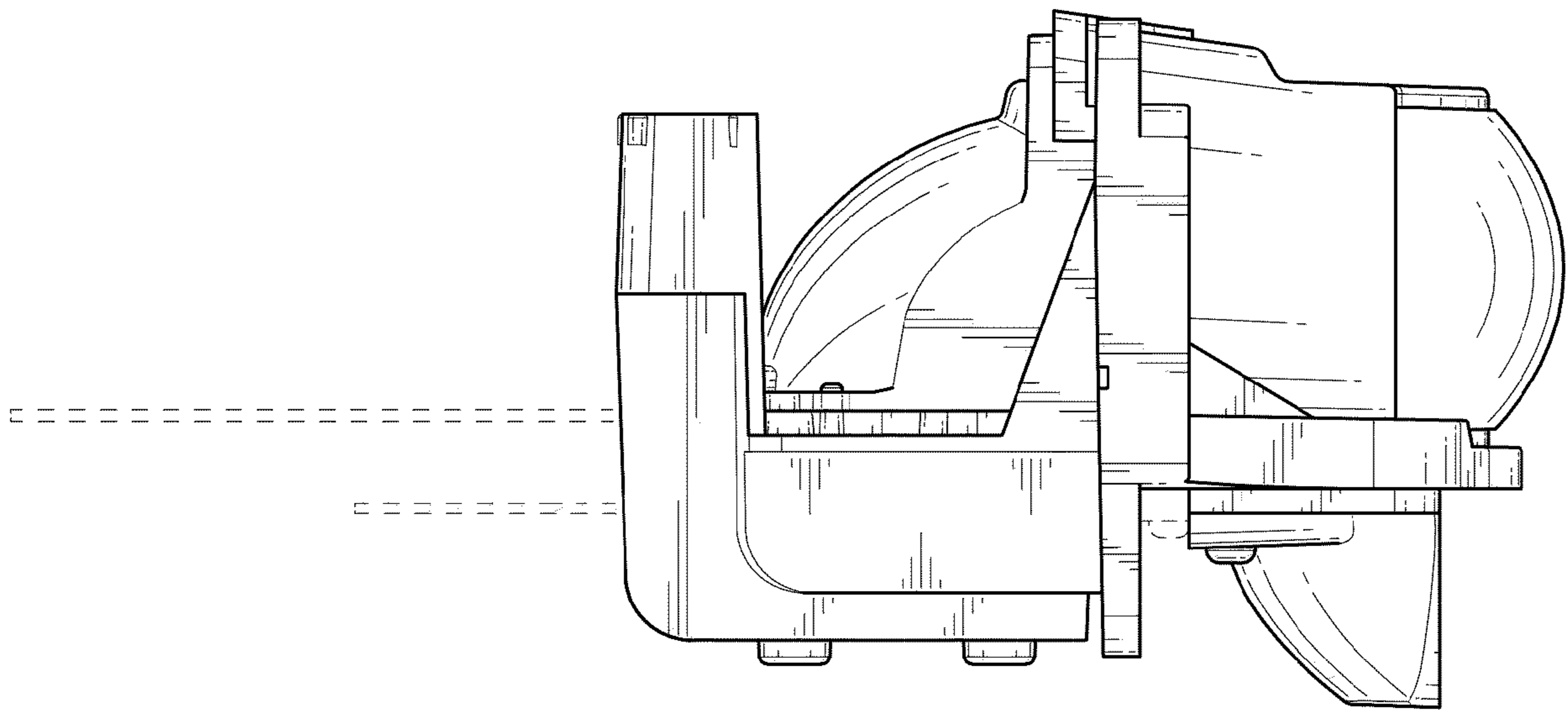


FIG. 4

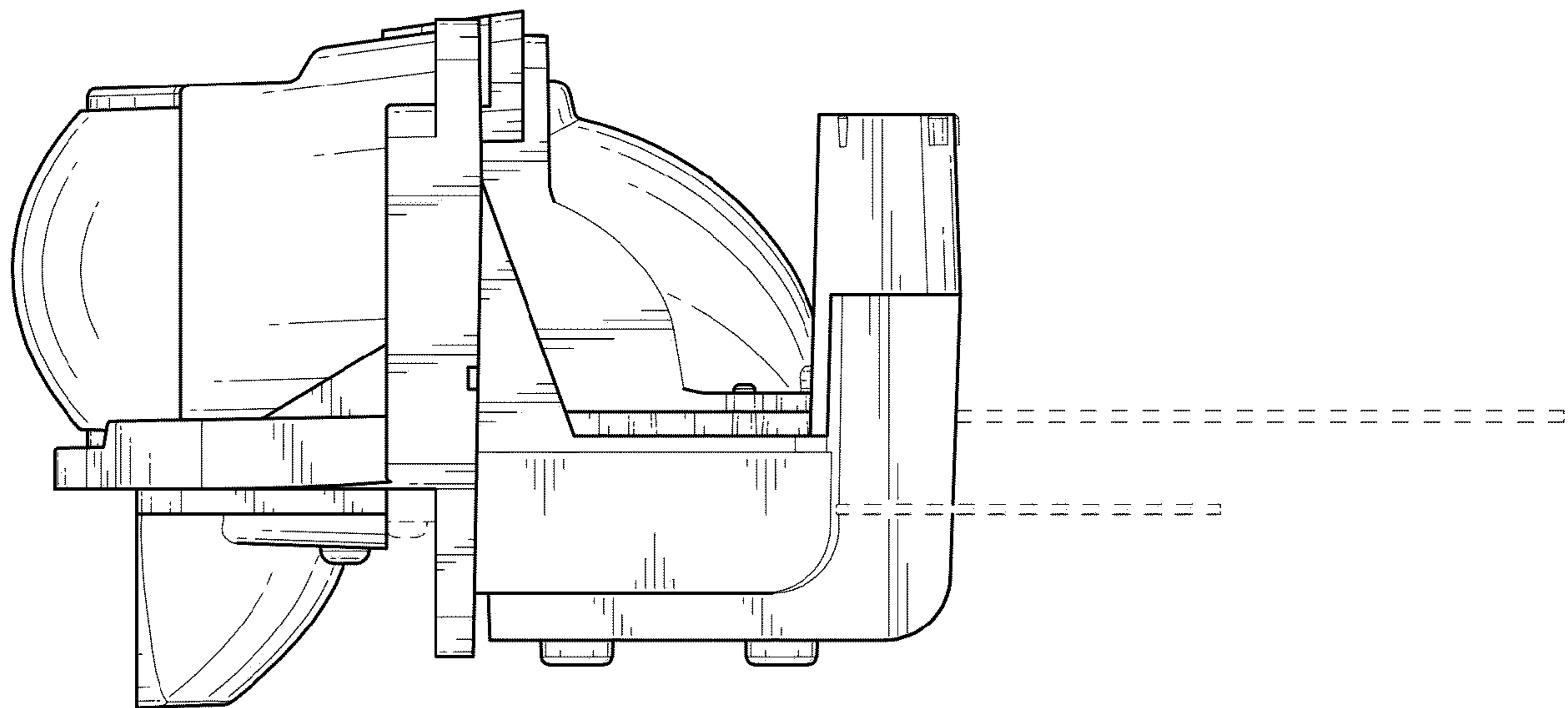


FIG. 5

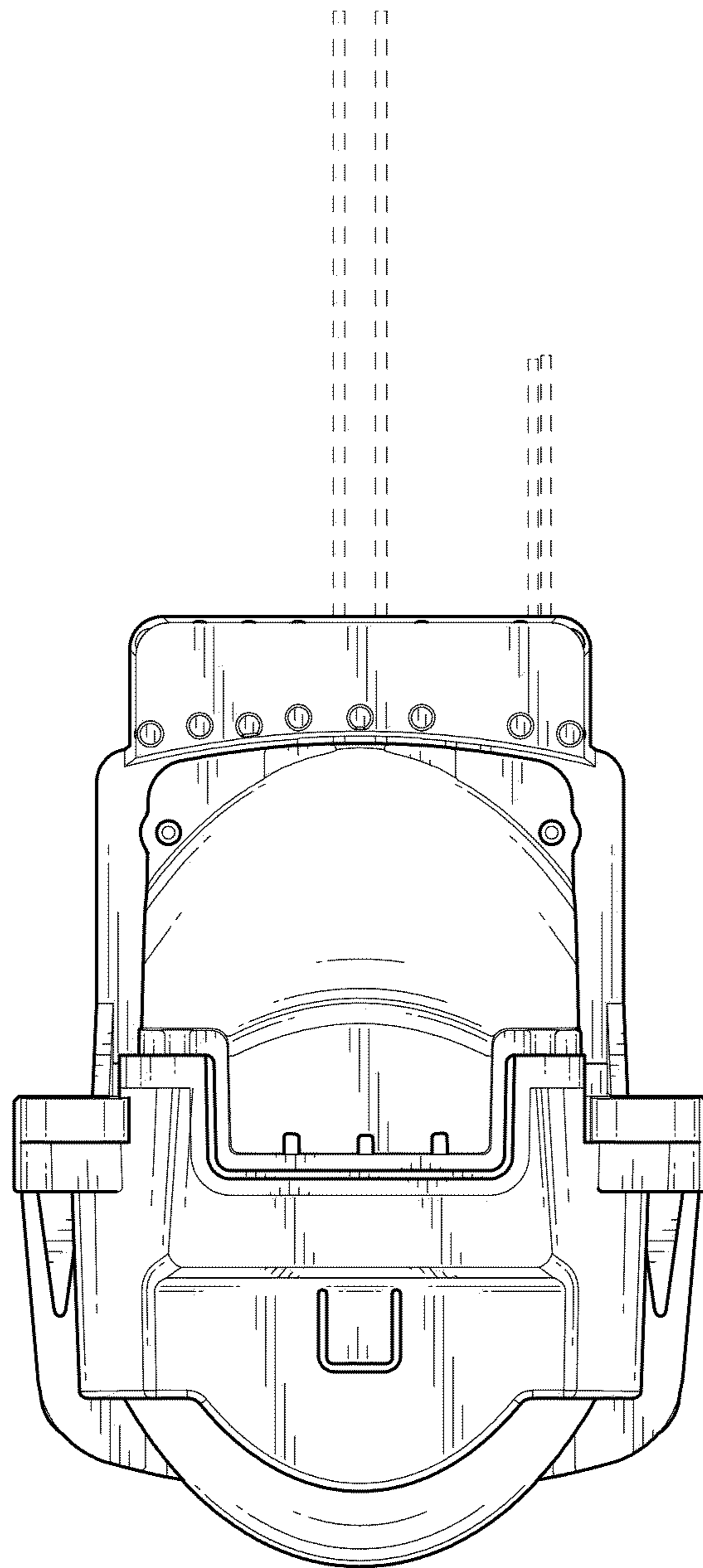


FIG. 6

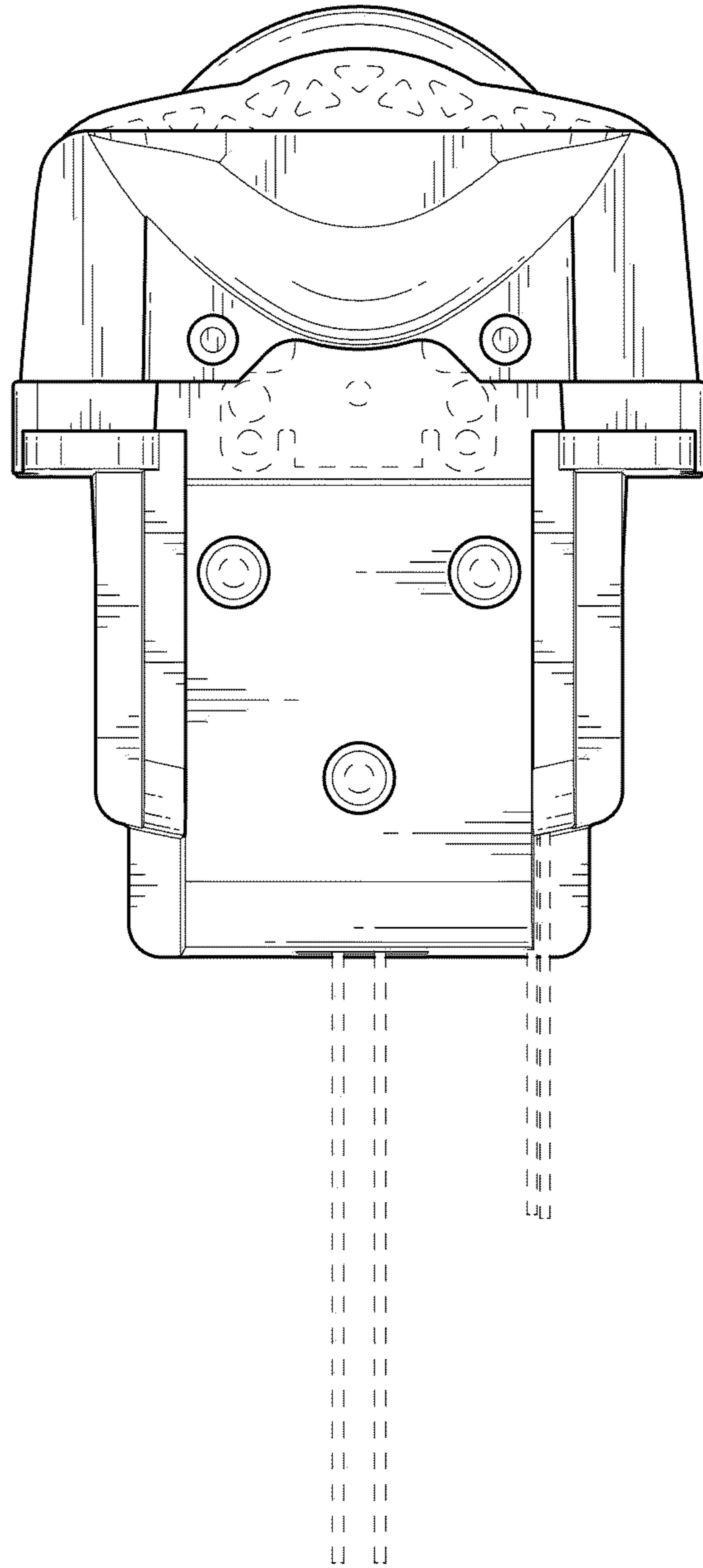


FIG. 7



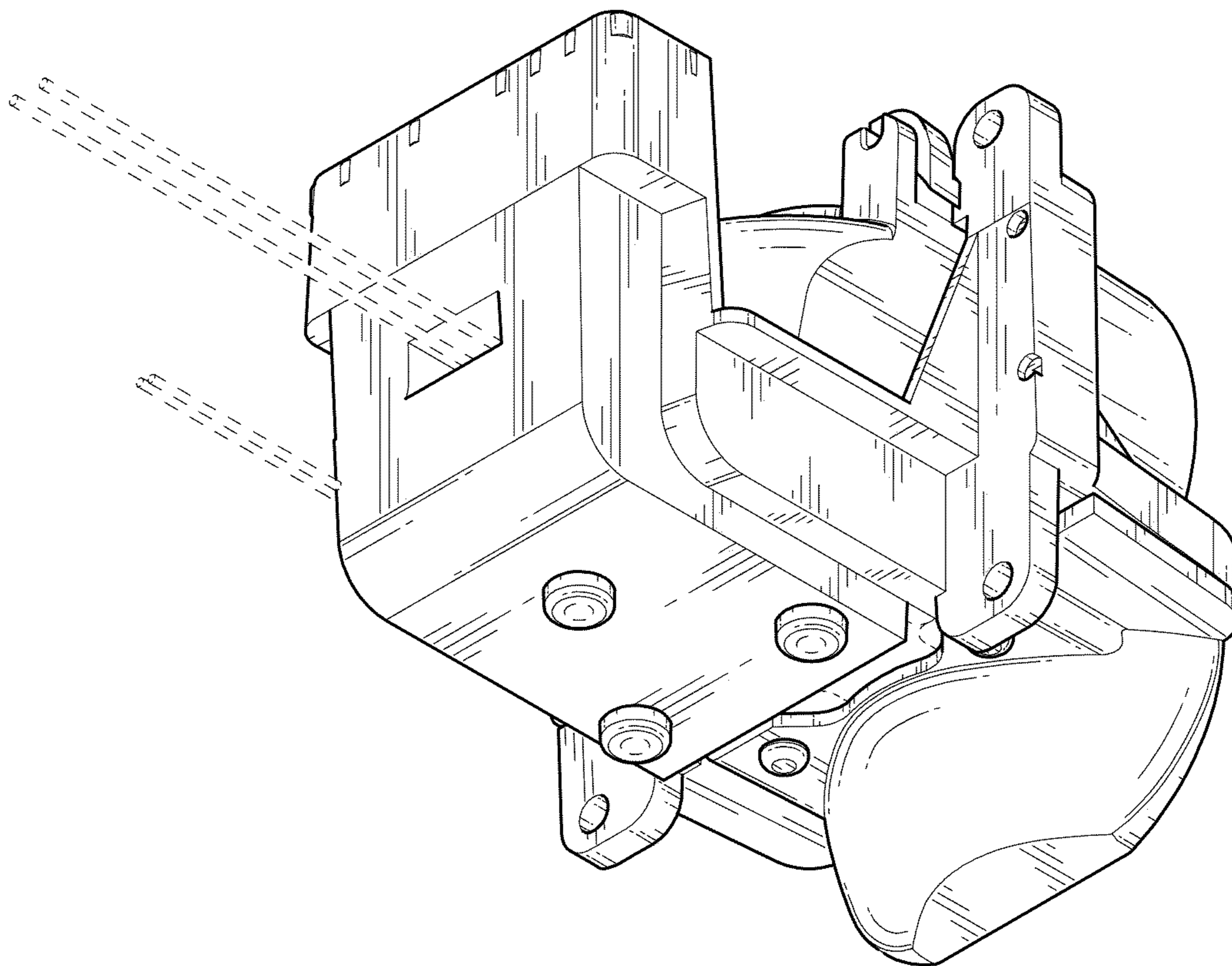


FIG. 8