



US00D987862S

(12) **United States Design Patent** (10) **Patent No.:** **US D987,862 S**  
**Yang** (45) **Date of Patent:** **\*\* May 30, 2023**

(54) <b>VEHICLE LIGHT</b>	D919,139 S * 5/2021 Wu ..... D26/28
	D932,073 S * 9/2021 Lin ..... D26/28
(71) Applicant: <b>SONAR AUTO PARTS CO., LTD.,</b> New Taipei (TW)	D932,670 S * 10/2021 Wu ..... D26/28
	D936,872 S * 11/2021 Wu ..... D26/28
	D936,875 S * 11/2021 Wu ..... D26/28
(72) Inventor: <b>Hsiu-Pen Yang,</b> New Taipei (TW)	D937,454 S * 11/2021 Wu ..... D26/28
	D937,456 S * 11/2021 Lin ..... D26/28
	D950,802 S * 5/2022 Tsai ..... D26/28
(73) Assignee: <b>SONAR AUTO PARTS CO., LTD.,</b> New Taipei (TW)	D952,912 S * 5/2022 Wu ..... D26/28
	D952,913 S * 5/2022 Wu ..... D26/28
	D954,308 S * 6/2022 Lin ..... D26/28
(**) Term: <b>15 Years</b>	D959,712 S * 8/2022 Yang ..... D26/28
	D959,713 S * 8/2022 Yang ..... D26/28

(21) Appl. No.: **29/757,943**

(22) Filed: **Nov. 11, 2020**

(51) **LOC (14) Cl.** ..... **26-06**

(52) **U.S. Cl.**  
USPC ..... **D26/28**

(58) **Field of Classification Search**  
USPC ..... D26/35, 34, 31, 30, 28, 36, 29; D12/86,  
D12/90, 91, 92, 169  
CPC . F21V 21/04; F21S 41/00; F21S 41/26; F21S  
41/50; F21S 41/36; F21S 41/32; F21S  
41/10; F21S 41/141; F21S 43/00; F21S  
43/15; F21S 43/237; F21S 48/00; F21S  
48/1233

See application file for complete search history.

(56) **References Cited**

U.S. PATENT DOCUMENTS

D842,503 S * 3/2019 Yang ..... D26/28
D843,621 S * 3/2019 Yang ..... D26/28
D899,641 S * 10/2020 He ..... D26/28
D900,359 S * 10/2020 He ..... D26/28
D912,863 S * 3/2021 Wu ..... D26/28
D916,337 S * 4/2021 Yang ..... D26/28

\* cited by examiner

*Primary Examiner* — Shawn T Gingrich  
*Assistant Examiner* — Kathryn Elizabeth Chambers  
(74) *Attorney, Agent, or Firm* — Li & Cai Intellectual  
Property Office

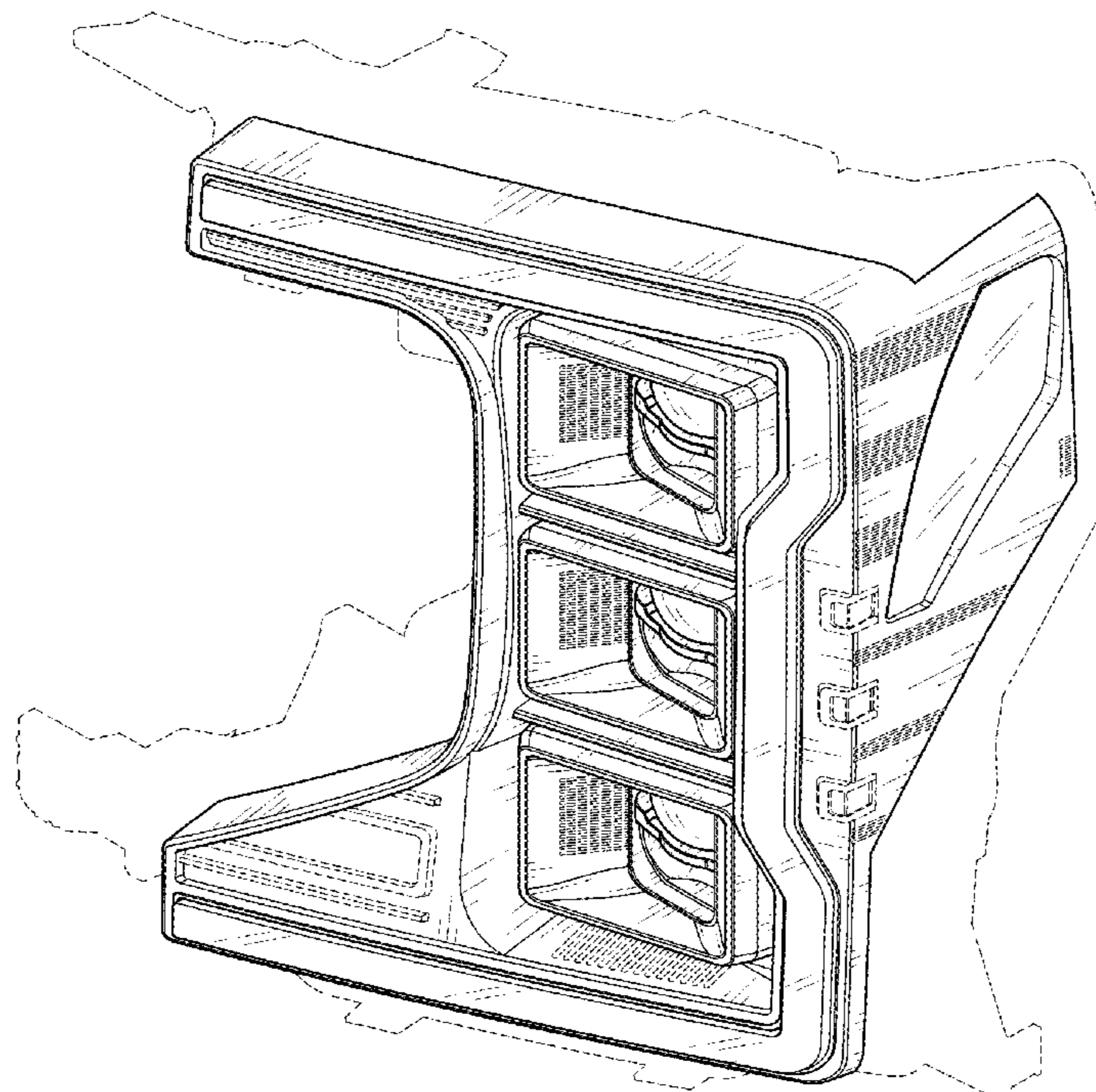
(57) **CLAIM**

The ornamental design for a vehicle light, as shown and described.

**DESCRIPTION**

FIG. 1 is a front, right side and top perspective view of a vehicle light showing the claimed design; FIG. 2 is a front elevational view thereof; FIG. 3 is a rear elevational view thereof; FIG. 4 is a left side elevational view thereof; FIG. 5 is a right side elevational view thereof; FIG. 6 is a top plan view thereof; and, FIG. 7 is a bottom plan view thereof. The dashed broken lines in the drawing depict portions of the vehicle light that form no part of the claimed design.

**1 Claim, 7 Drawing Sheets**



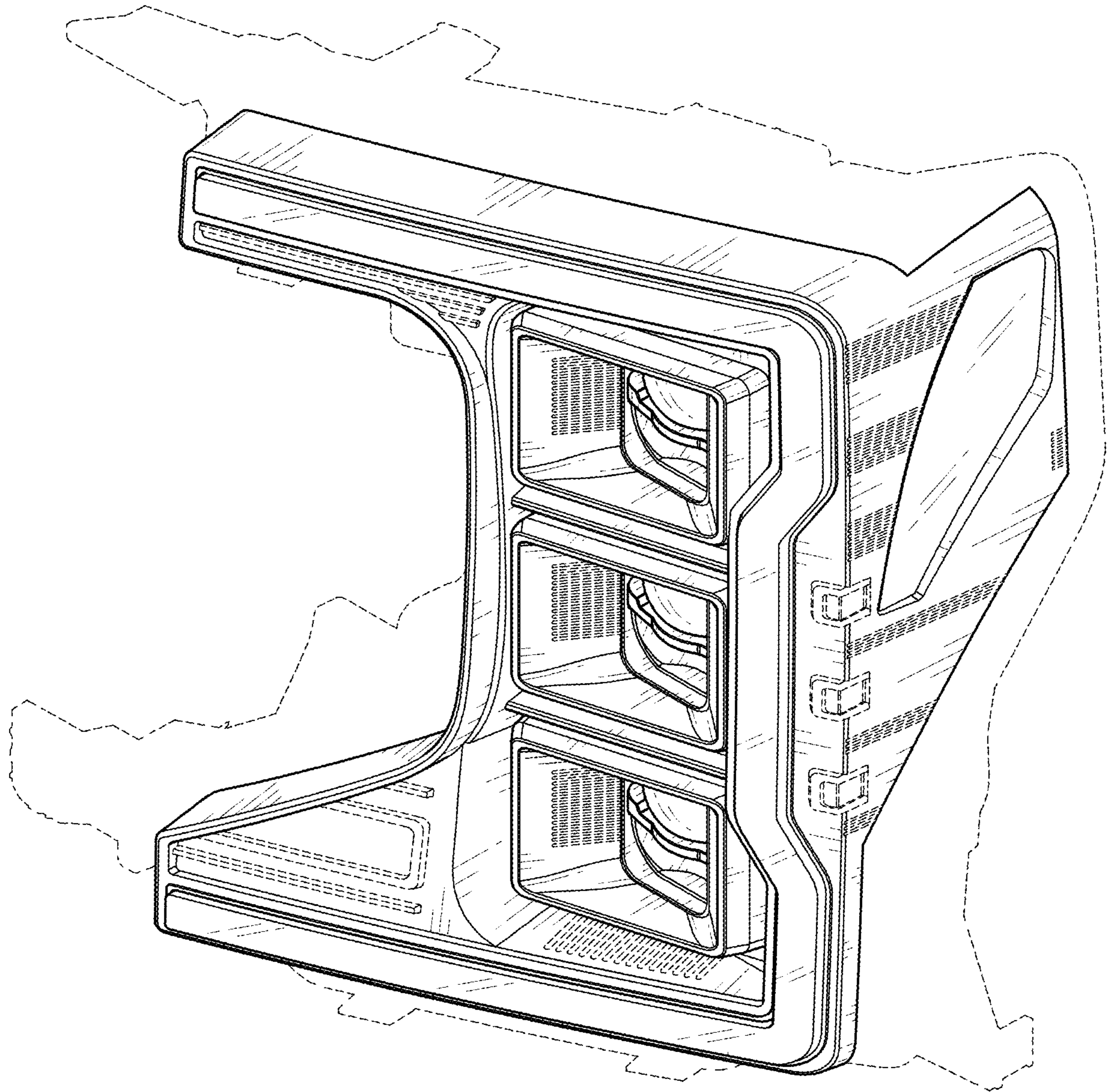


FIG. 1

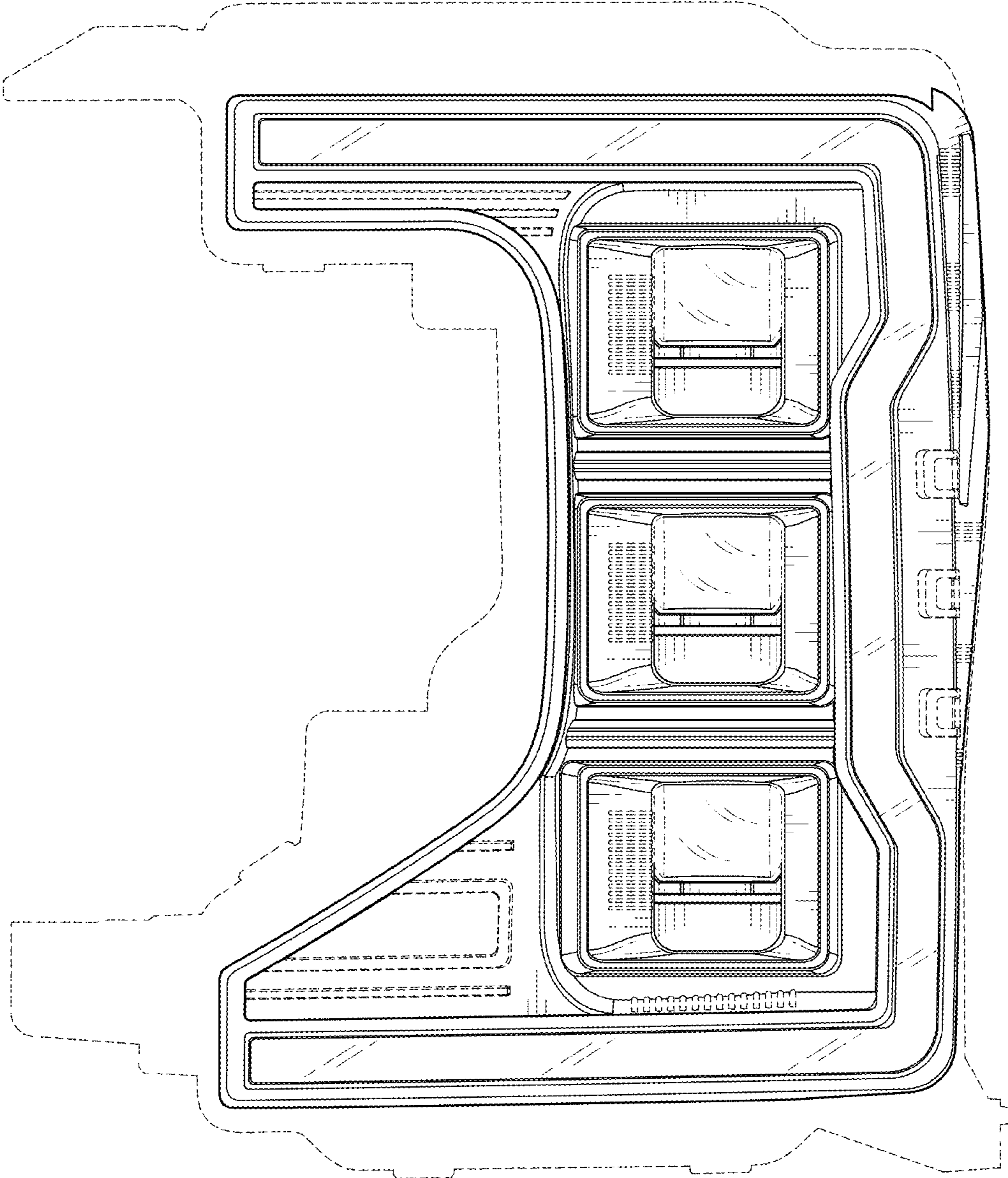


FIG. 2

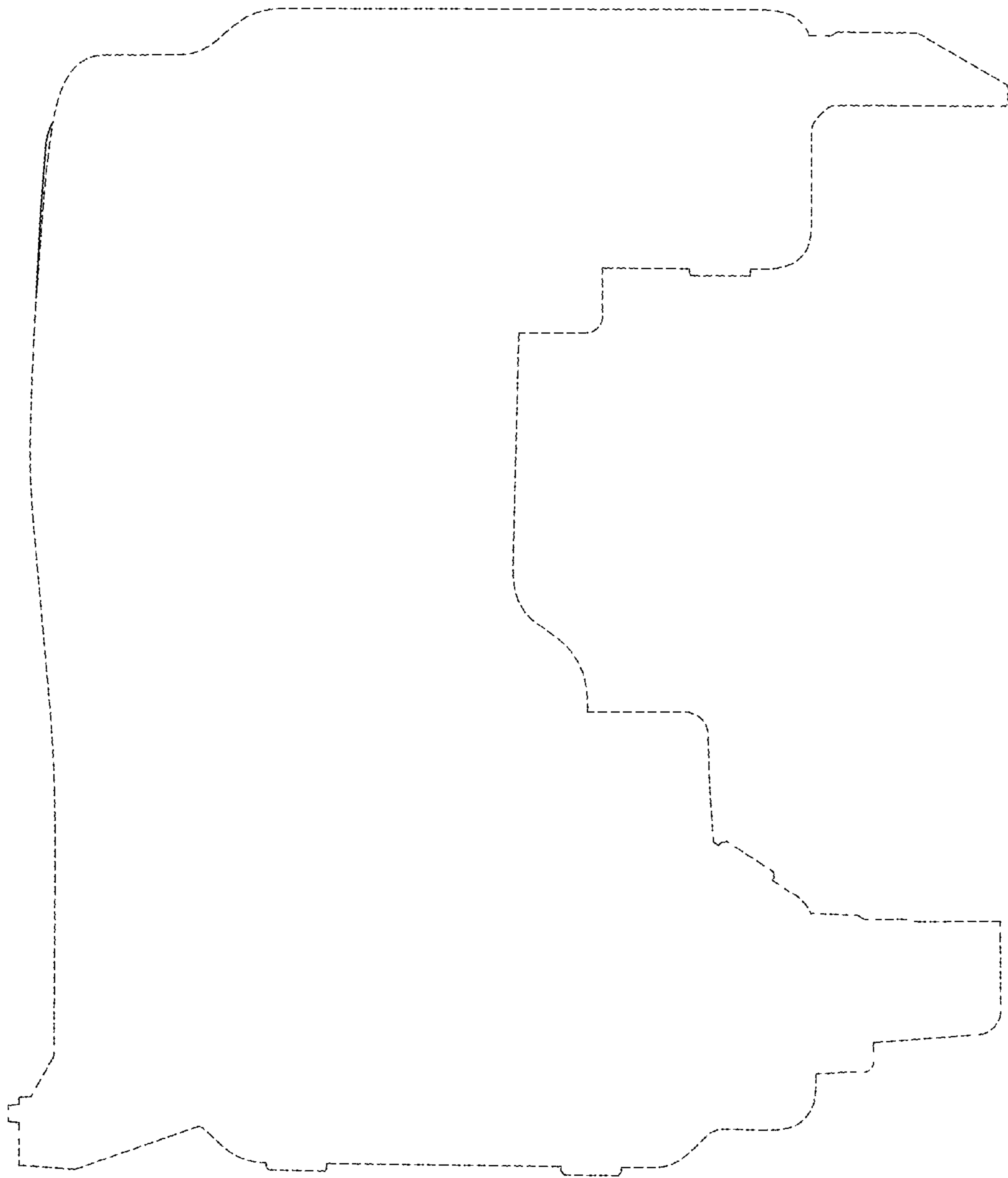


FIG. 3

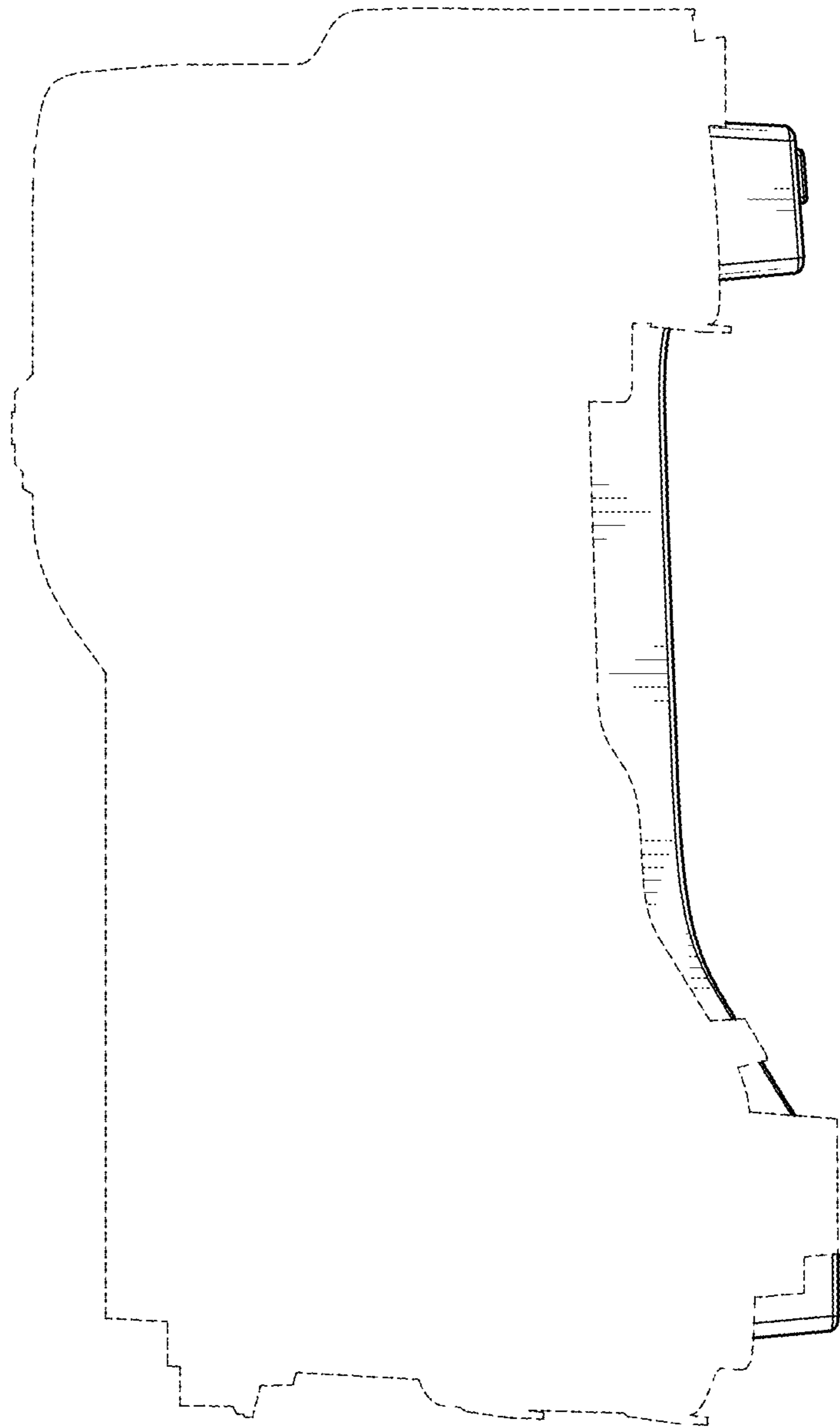


FIG. 4

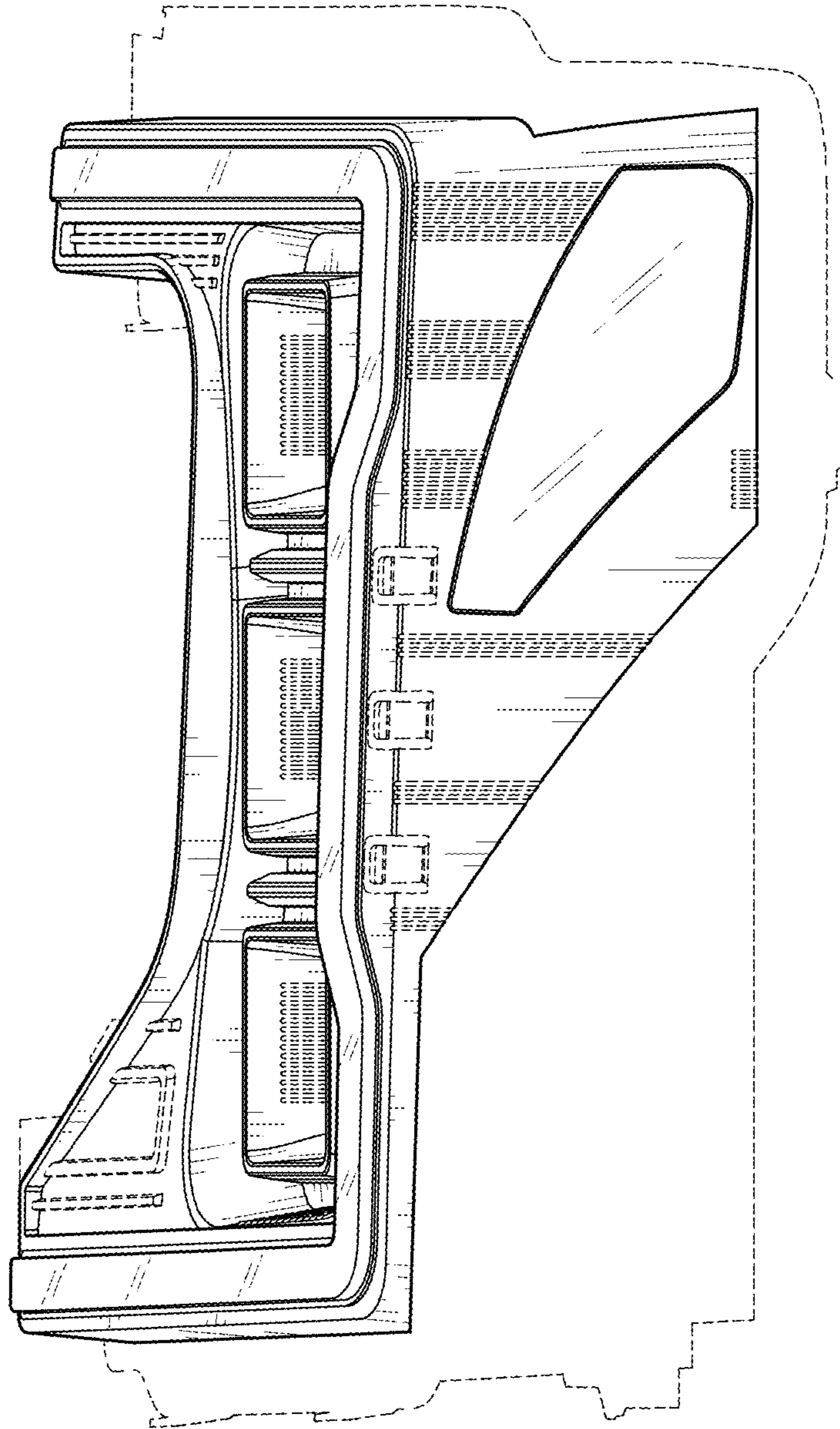


FIG. 5

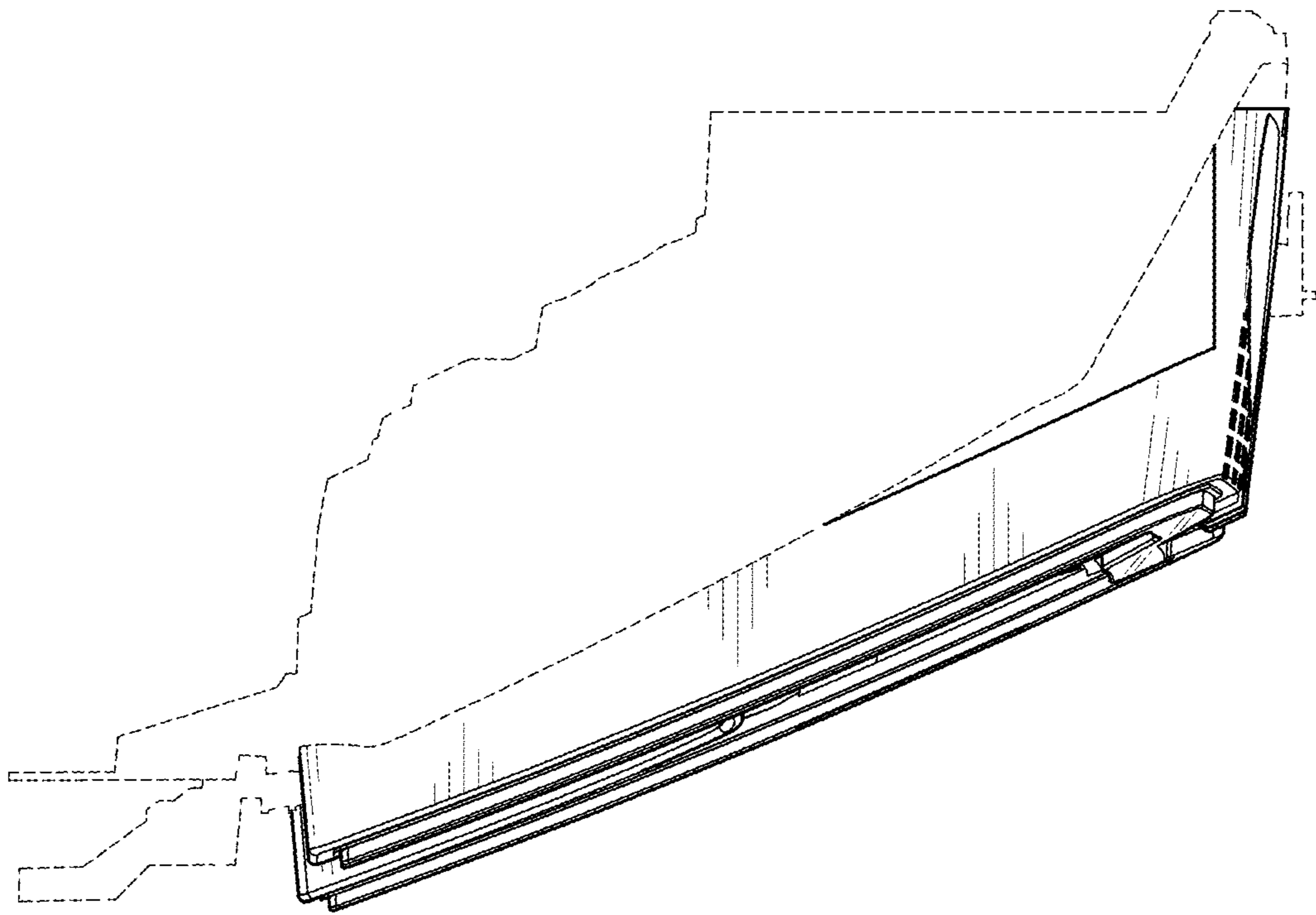


FIG. 6

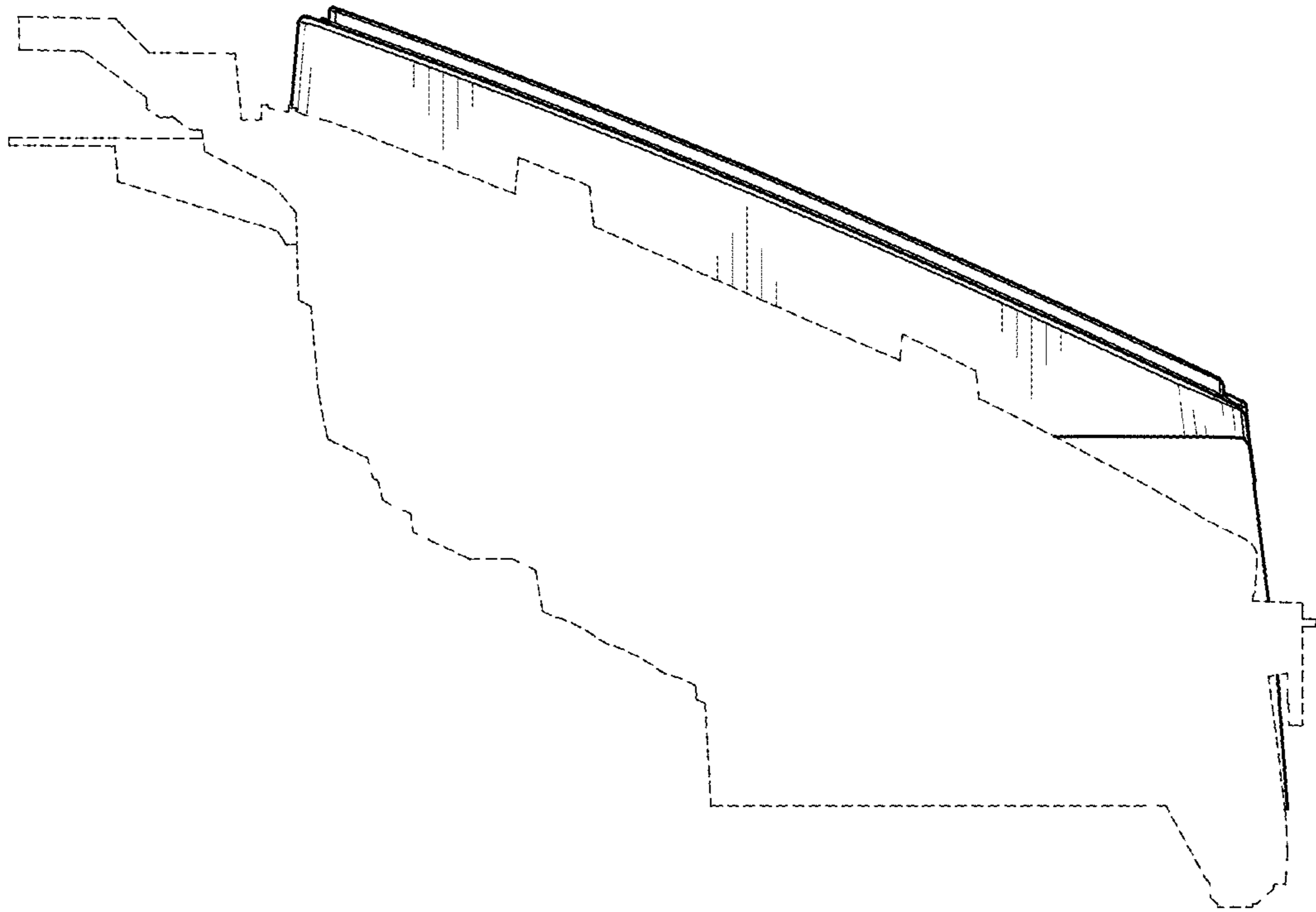


FIG. 7