



US00D987861S

(12) **United States Design Patent**  
**Gao**

(10) **Patent No.:** **US D987,861 S**

(45) **Date of Patent:** **\*\* May 30, 2023**

- (54) **CANDLE HOLDER**
- (71) Applicant: **Xingqin Gao**, Guangdong (CN)
- (72) Inventor: **Xingqin Gao**, Guangdong (CN)
- (\*\*) Term: **15 Years**
- (21) Appl. No.: **29/780,603**
- (22) Filed: **Apr. 26, 2021**
- (51) **LOC (14) Cl.** ..... **26-01**
- (52) **U.S. Cl.**  
USPC ..... **D26/20**
- (58) **Field of Classification Search**  
USPC ..... D26/9, 11, 12, 20, 21, 22, 23, 93, 105,  
D26/106, 108; D7/524, 536, 537, 587  
CPC ..... F21V 35/00; F21V 15/01; F21V 15/02;  
F21V 25/10; F21V 15/04; F21S 6/007;  
F21S 13/12  
See application file for complete search history.

- D507,062 S \* 7/2005 Boschetto ..... D26/9
- D621,078 S \* 8/2010 Boschetto ..... B01F 23/232  
D26/20
- D707,373 S \* 6/2014 Nugent ..... D26/22
- D712,199 S \* 9/2014 Borden ..... B01F 23/232  
D7/400
- D789,746 S \* 6/2017 Wei ..... D7/598

\* cited by examiner

*Primary Examiner* — Cary M Robinson  
*Assistant Examiner* — Julie Marie Bailey  
(74) *Attorney, Agent, or Firm* — ScienBiziP, P.C.

(57) **CLAIM**

The ornamental design for a candle holder, as shown and described.

**DESCRIPTION**

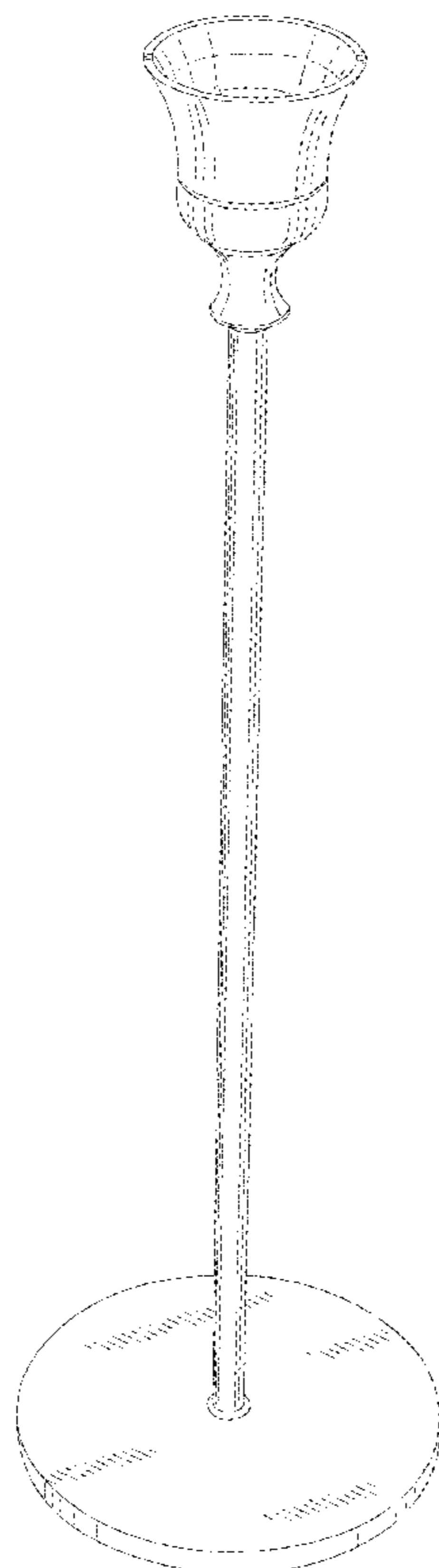
FIG. 1 is a front, right, and top perspective view of a candle holder, showing my design.  
FIG. 2 is a front elevation view thereof.  
FIG. 3 is a rear elevation view thereof.  
FIG. 4 is a left side elevation view thereof.  
FIG. 5 is a right side elevation view thereof.  
FIG. 6 is a top plan view thereof.  
FIG. 7 is a bottom plan view thereof; and,  
FIG. 8 is an exploded view thereof.  
The broken lines shown in the drawings are included for the purpose of illustrating portions of the candle holder that form no part of the claimed design.

(56) **References Cited**

U.S. PATENT DOCUMENTS

- D263,083 S \* 2/1982 LeVan ..... F21V 15/02  
D26/11
- D284,153 S \* 6/1986 Blake ..... D7/528
- D285,516 S \* 9/1986 Miller ..... D7/536
- 5,863,111 A \* 1/1999 Turner ..... F21V 15/02  
362/411
- 6,217,199 B1 \* 4/2001 Lo ..... F21V 15/02  
362/802

**1 Claim, 8 Drawing Sheets**



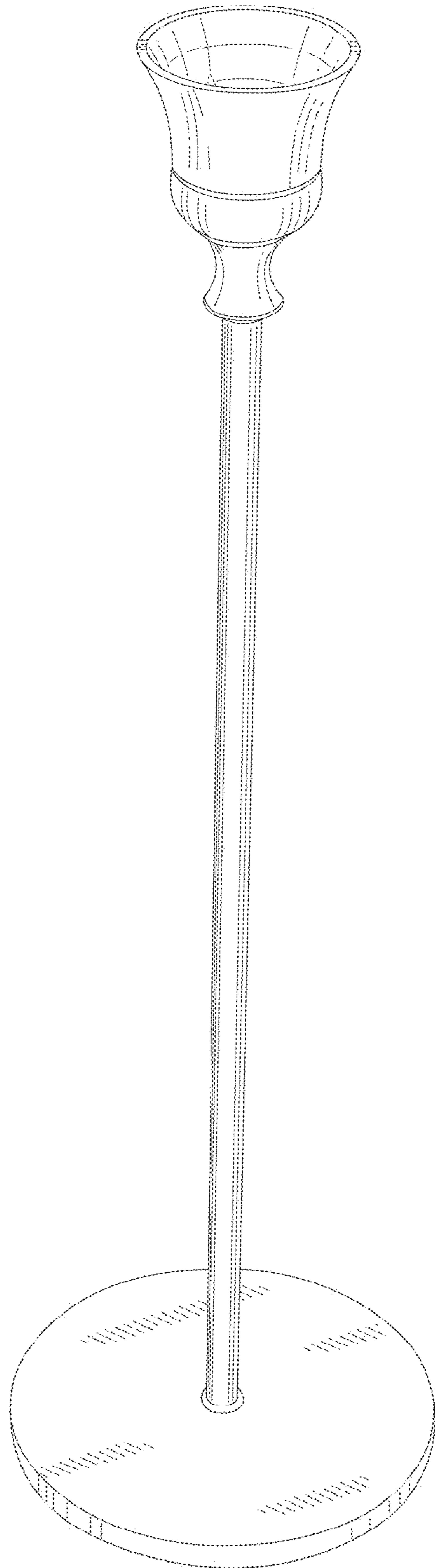


FIG. 1

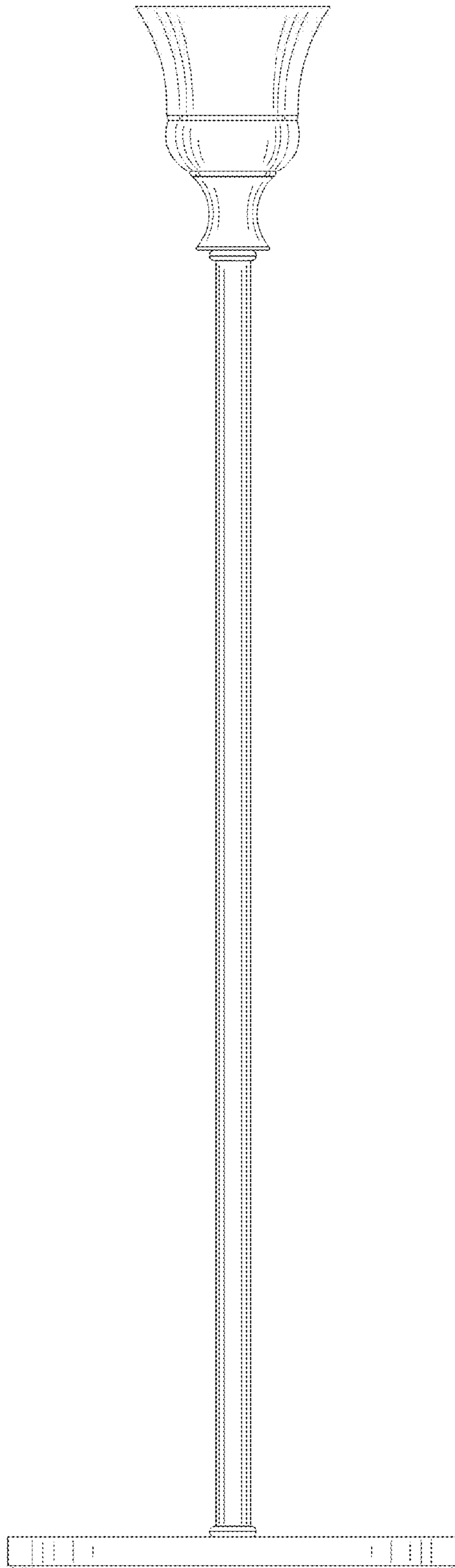


FIG. 2

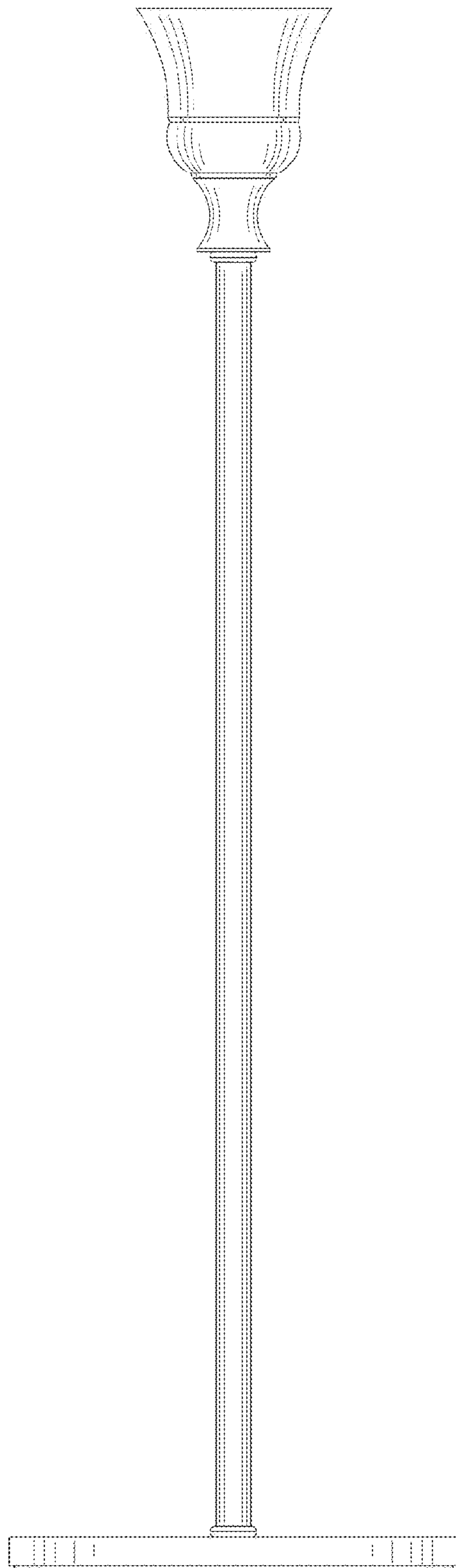


FIG. 3

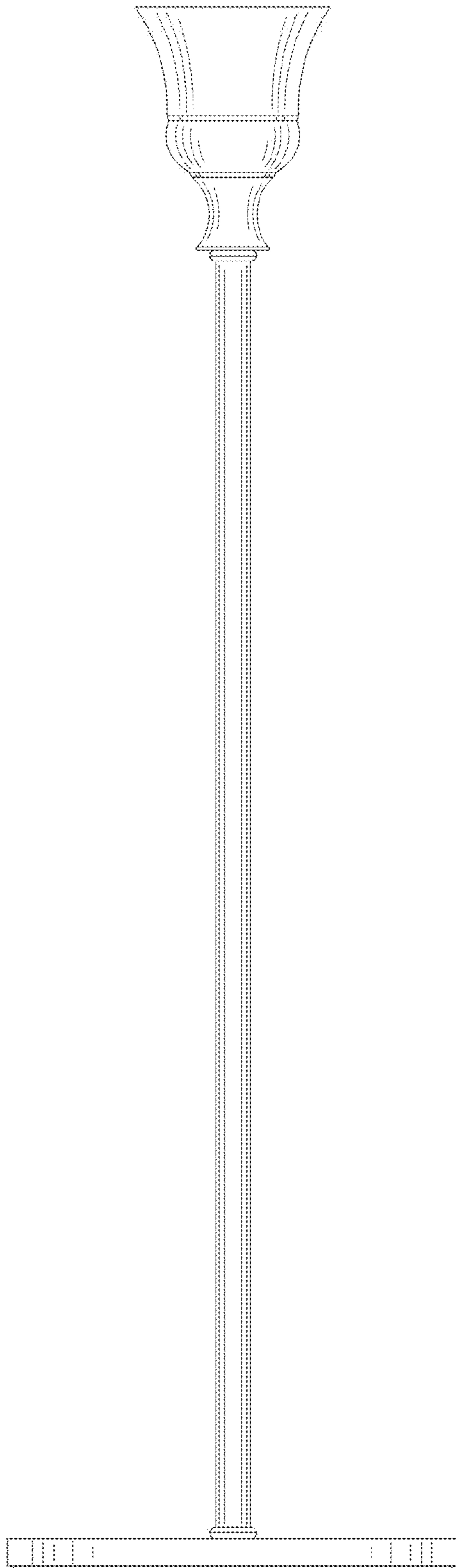


FIG. 4

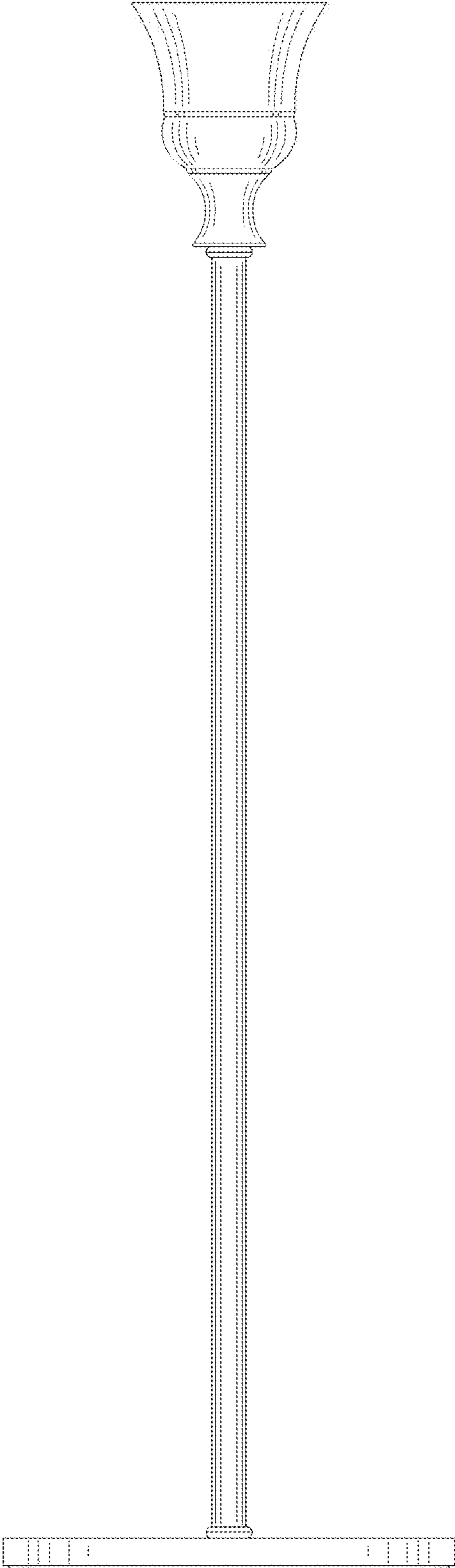


FIG. 5

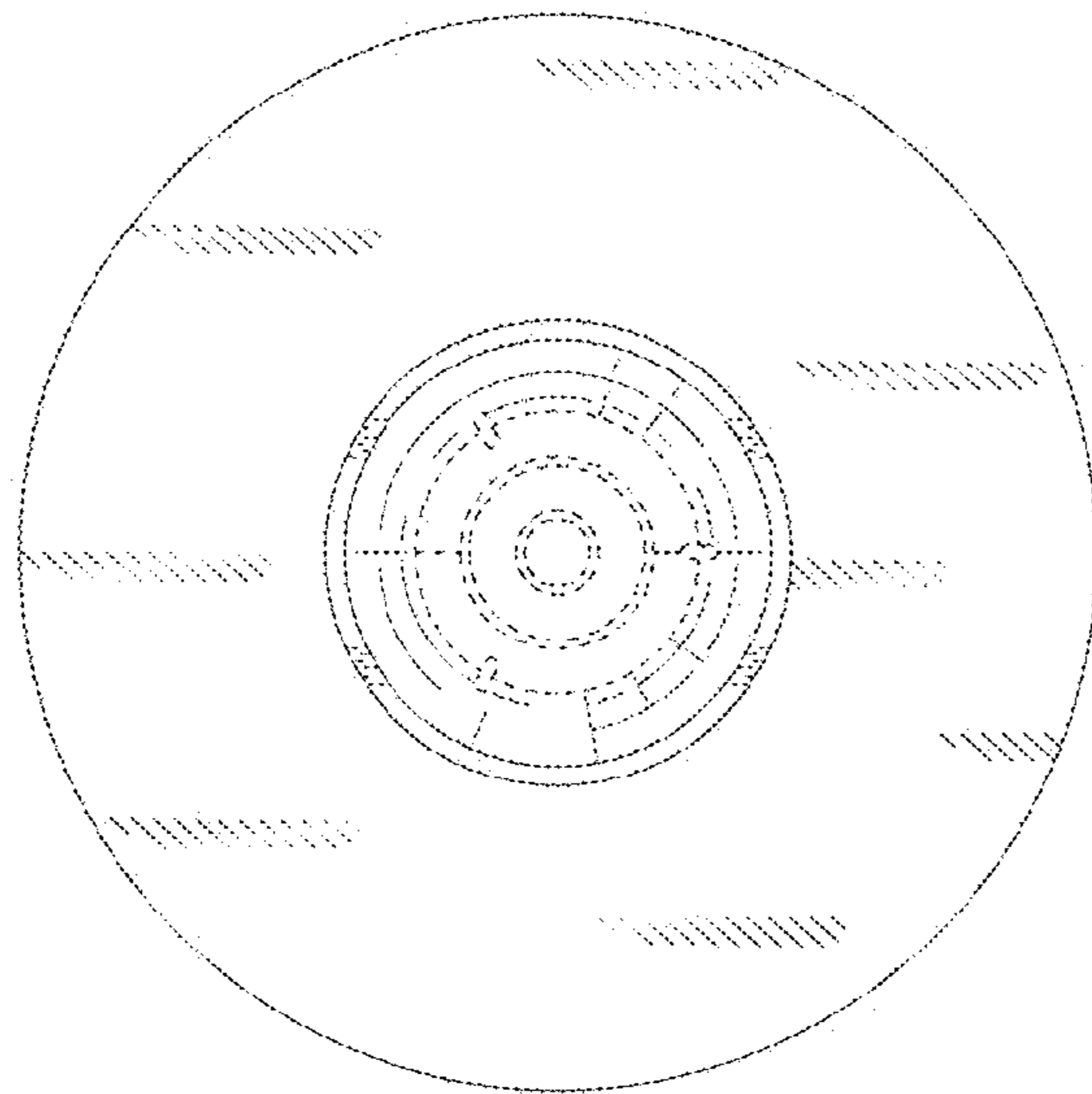


FIG. 6

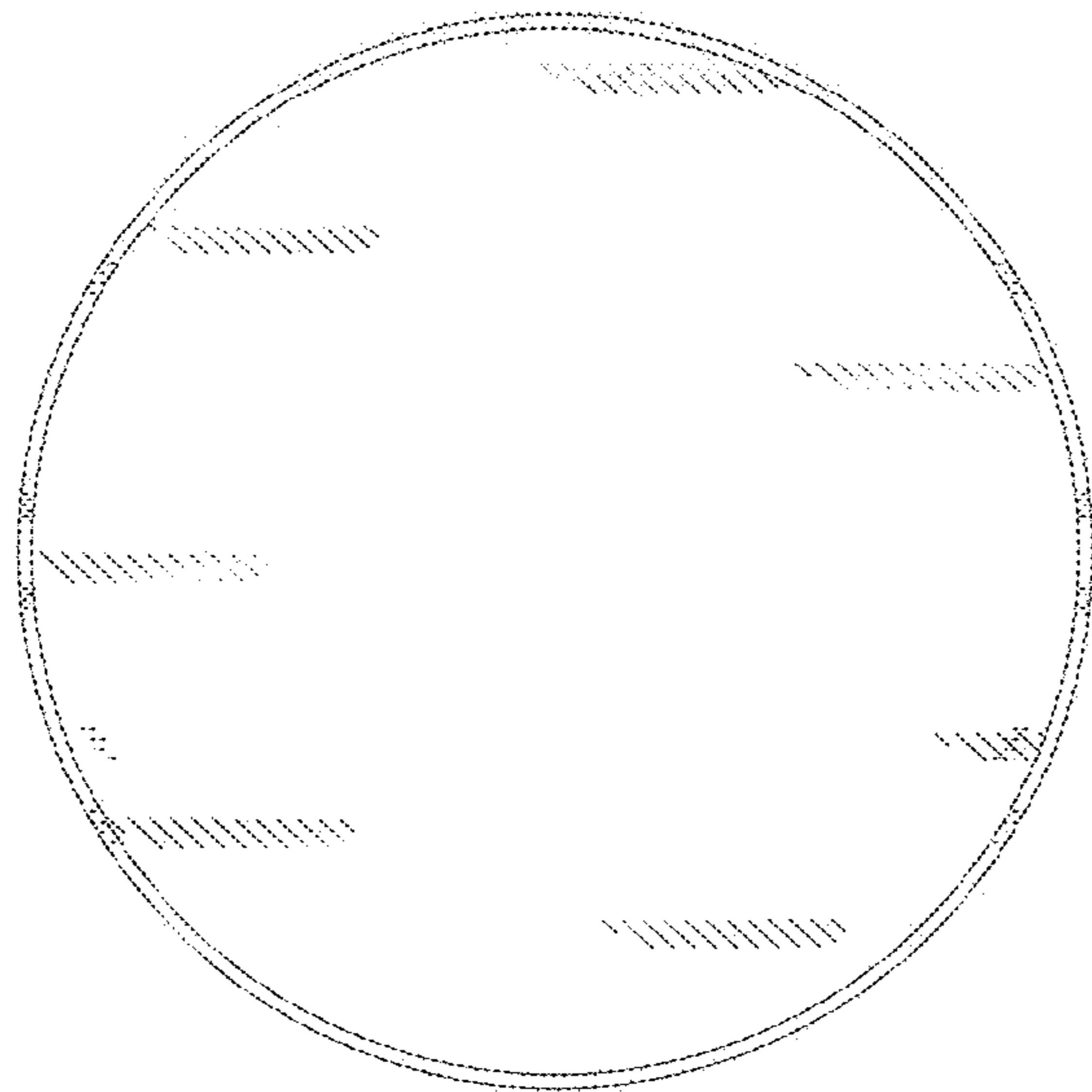


FIG. 7



