



US00D987860S

(12) **United States Design Patent** (10) **Patent No.:** **US D987,860 S**
Minale (45) **Date of Patent:** **** May 30, 2023**

(54) **LIGHT BULB**
(71) Applicant: **Buster and Punch Limited**, Stamford (GB)

D244,310 S 5/1977 Dunning
D253,854 S 1/1980 Strignano
4,208,701 A 6/1980 Schock
(Continued)

(72) Inventor: **Massimo Minale**, London (GB)
(73) Assignee: **Buster and Punch Limited**, Stamford (GB)

FOREIGN PATENT DOCUMENTS

CN 2519104 Y 10/2002
CN 2536894 Y 2/2003
(Continued)

(**) Term: **15 Years**

OTHER PUBLICATIONS

(21) Appl. No.: **29/803,788**

“Buster Bulb / Forked / Opal”, available in busterandpunch.com, announced year 2022 (online), site visited Dec. 14, 2022, <https://www.busterandpunch.com/us/shop/lighting/light-bulbs/punch-bulb-forked-opal/> (Year: 2022).*

(22) Filed: **Aug. 16, 2021**

(30) **Foreign Application Priority Data**

Feb. 25, 2021 (GB) 6120980

(51) **LOC (14) Cl.** **26-04**

(52) **U.S. Cl.**
USPC **D26/2; D26/1; D26/3**

(58) **Field of Classification Search**
USPC ... D26/1, 2, 3, 4, 24, 26, 40, 42, 49, 75, 78, D26/93, 113
CPC ... F21K 9/20; F21K 9/27; F21K 9/272; F21K 9/278; F21V 23/002; F21V 23/04; F21V 23/006; F21Y 2103/00; F21Y 2115/10; H01J 5/48; H01J 5/50; H01R 33/942; H01R 33/955

See application file for complete search history.

(56) **References Cited**

U.S. PATENT DOCUMENTS

D85,931 S 1/1932 Graff
D126,996 S * 5/1941 Zaun D26/4
2,362,131 A 11/1944 Haggart, Jr.
D152,994 S 3/1949 McCann
D164,507 S 9/1951 McCann
D167,930 S * 10/1952 Dribnack D26/2
D206,454 S 12/1966 Rosen

Primary Examiner — Angela J Lee
Assistant Examiner — Anthony Vincent Rotolo
(74) *Attorney, Agent, or Firm* — Kolitch Romano
Dascenzo Gates LLC

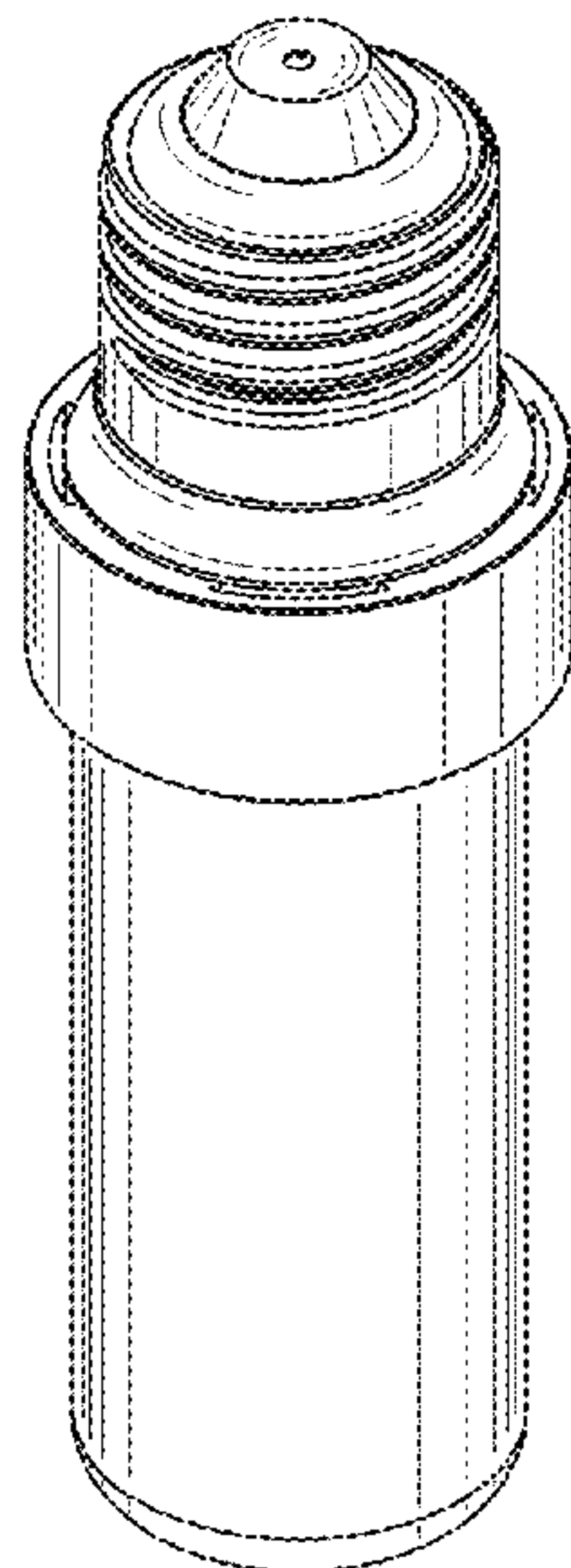
(57) **CLAIM**

The ornamental design for a light bulb, as shown and described.

DESCRIPTION

FIG. 1 is a bottom isometric view of a light bulb showing the design.
FIG. 2 is a first side elevation view thereof.
FIG. 3 is a second side elevation view thereof.
FIG. 4 is a third side elevation view thereof.
FIG. 5 is a fourth side elevation view thereof.
FIG. 6 is a bottom plan view thereof; and,
FIG. 7 is a top plan view thereof.
The shading lines shown in the drawings represent the three-dimensional contour of the claimed design and are not intended to indicate surface decoration.

1 Claim, 7 Drawing Sheets



(56)

References Cited

U.S. PATENT DOCUMENTS

4,260,929 A * 4/1981 Jacobs H01J 61/22
313/572
D271,528 S 11/1983 Muller
4,422,719 A 12/1983 Orcutt
4,600,974 A 7/1986 Lew et al.
4,754,197 A * 6/1988 Zwald H01J 61/34
362/255
5,092,807 A 3/1992 Lew et al.
5,105,309 A 4/1992 Baravaglio et al.
5,165,781 A 11/1992 Orak
D363,362 S 10/1995 Davis, Sr.
D387,445 S * 12/1997 Sato D26/3
D399,018 S 9/1998 Jensen et al.
D399,330 S 10/1998 Geier et al.
5,980,063 A 11/1999 Ford et al.
D439,361 S 3/2001 Berry
D442,317 S 5/2001 Crosby
6,550,952 B1 4/2003 Hulse et al.
D481,157 S 10/2003 Fickas et al.
D483,143 S 12/2003 Orozco
6,758,588 B2 7/2004 Hsu
D553,791 S 10/2007 Bouroullec et al.
D558,381 S 12/2007 Choi et al.
D563,022 S 2/2008 Hetfield et al.
D565,230 S 3/2008 Hetfield et al.
D575,444 S 8/2008 Lissoni
D583,976 S 12/2008 Horn et al.
D589,191 S 3/2009 Sabernig
7,565,050 B2 7/2009 Lee et al.
D599,947 S 9/2009 Sabernig
D600,390 S 9/2009 Sabernig
7,699,490 B2 4/2010 Tsai et al.
7,726,860 B2 6/2010 Harrity et al.
D626,675 S 11/2010 Leen
D627,085 S 11/2010 Duan et al.
7,837,348 B2 11/2010 Narendran et al.
D629,929 S 12/2010 Chen et al.
D633,226 S 2/2011 Katsaros
D634,451 S 3/2011 De Visser
D642,289 S 7/2011 Kleene
7,976,206 B2 7/2011 Wu et al.
D642,704 S 8/2011 Hagens et al.
D646,833 S 10/2011 Chen
8,136,959 B2 3/2012 Ho
D659,281 S 5/2012 Patkus et al.
D664,287 S 7/2012 Cegnar
D667,568 S 9/2012 Chen et al.
8,287,145 B2 10/2012 Isogai et al.
D675,755 S * 2/2013 Yamamoto D26/2
D692,596 S 10/2013 Webb et al.
D693,515 S 11/2013 Muller
D694,942 S 12/2013 Lindsley et al.
D705,981 S 5/2014 Cegnar
D713,089 S 9/2014 Orozco
D727,542 S * 4/2015 Li D26/2
D731,694 S 6/2015 Tomlinson
D735,388 S 7/2015 Schlegel
D741,519 S * 10/2015 Wang D26/2
D748,313 S 1/2016 Grundl et al.
9,447,945 B2 9/2016 Narendran et al.
D771,283 S * 11/2016 Ke D26/2
D773,091 S 11/2016 Nouvel
D775,754 S 1/2017 Jepson
D784,601 S 4/2017 Yang
D787,730 S 5/2017 Gines
D788,286 S 5/2017 Busta
D799,093 S 10/2017 Terumichi
D799,739 S 10/2017 Dean
9,822,962 B2 11/2017 McGilvray
D815,334 S 4/2018 Hu
D819,259 S 5/2018 McTaggart
D821,625 S 6/2018 Couvreur et al.
D825,092 S 8/2018 Amato et al.

D835,836 S 12/2018 Furman
D837,436 S 1/2019 Orozco
D838,401 S 1/2019 Joyeux
D841,220 S 2/2019 Chen et al.
10,295,161 B1 5/2019 Shih
D851,318 S 6/2019 Amato et al.
D851,319 S 6/2019 Amato et al.
D852,988 S * 7/2019 Zhu D26/2
D859,717 S 9/2019 Martinez Weber
D862,772 S 10/2019 Wellens et al.
D882,142 S 4/2020 Huang
D887,057 S 6/2020 Healey
D887,067 S 6/2020 Dullely et al.
10,670,203 B1 6/2020 Glazer et al.
D892,383 S 8/2020 McDennon
D903,907 S * 12/2020 Peng D26/2
D909,645 S 2/2021 Tong
D910,885 S * 2/2021 Shalvi D26/2
D917,754 S 4/2021 Dean
10,969,066 B1 * 4/2021 Ormsbee F21V 21/0885
D925,102 S 7/2021 Fletcher
D932,678 S 10/2021 Dullely et al.
D939,927 S 1/2022 Minale et al.
D943,137 S 2/2022 Bjerre-Poulsen et al.
D957,030 S 7/2022 Cornelissen
D959,041 S 7/2022 Chen
D962,529 S 8/2022 Diez
2004/0027837 A1 2/2004 Hsu
2006/0061990 A1 3/2006 Chinniah et al.
2006/0109662 A1 3/2006 Reiff et al.
2008/0205067 A1 8/2008 Neeld et al.
2009/0262535 A1 10/2009 Maillet-Jegou
2010/0157584 A1 6/2010 Ho
2010/0232175 A1 9/2010 Ho
2011/0286200 A1 11/2011 Iimura et al.
2011/0309403 A1 12/2011 Kawashima
2011/0309735 A1 12/2011 Parker et al.
2012/0106127 A1 5/2012 Hattori et al.
2012/0287610 A1 11/2012 Krogman
2012/0320608 A1 12/2012 Ramirez
2013/0107516 A1 5/2013 Chou
2013/0114268 A1 5/2013 Shigematsu et al.
2013/0279149 A1 10/2013 Udatsu et al.
2014/0092591 A1 4/2014 Ou Yang et al.
2014/0146558 A1 5/2014 Chen
2014/0185269 A1 7/2014 Li
2014/0376217 A1 12/2014 Yamada et al.
2015/0029742 A1 1/2015 Chen
2018/0142867 A1 5/2018 Read et al.
2019/0203890 A1 7/2019 Moore et al.
2020/0025356 A1 1/2020 Hencken
2020/0370729 A1 11/2020 Eidam
2021/0239309 A1 8/2021 Lazalier et al.
2022/0082223 A1 3/2022 Zhang et al.
2022/0243900 A1 8/2022 Kemparaju et al.

FOREIGN PATENT DOCUMENTS

CN 1802533 A 7/2006
CN 201973466 U 9/2011
CN 102679209 A 9/2012
CN 202484668 U 10/2012
CN 104067045 A 9/2014
CN 104295945 A 1/2015
CN 105190169 A 12/2015
EP 0103729 A1 3/1984
JP 2002245819 A 8/2002
JP 2009016087 A 1/2009
JP 3148997 U 2/2009
JP 2010514209 A 4/2010
JP 2010129300 A 6/2010
JP 2012074258 A 4/2012
JP 3176320 U 5/2012
JP 2015195156 A 11/2015
TW 201231879 A1 8/2012
WO WO 2014/180689 A1 11/2014

(56)

References Cited

FOREIGN PATENT DOCUMENTS

WO WO 2014/196498 A1 12/2014
 WO WO 2016/139454 A1 9/2016

OTHER PUBLICATIONS

“LED Flame Effect Light Bulbs, Calmsen E26 E27 Flickering Fire Light Bulbs with 4 Modes”, available in Amazon.com, date first available online May 22, 2019, site visited Dec. 14, 2022, available from internet URL: <https://a.co/d/38RNHhl> (Year: 2019).*

English language translation of JP 2002245819 A, downloaded from patents.google.com on Jun. 6, 2022.

English language translation of CN 2519104 Y, downloaded from patents.google.com on Jun. 6, 2022.

English language translation of CN 2536894 Y, downloaded from patents.google.com on Jun. 6, 2022.

English language translation of CN 1802533 A, downloaded from patents.google.com on Jun. 6, 2022.

English language translation of JP 2009016087 A, downloaded from patents.google.com on Jun. 6, 2022.

English language translation of JP 3148997 U, downloaded from patents.google.com on Jun. 6, 2022.

English language translation of JP 2010514209 A, downloaded from patents.google.com on Jun. 6, 2022.

English language translation of JP 2010129300 A, downloaded from patents.google.com on Jun. 6, 2022.

English language translation of CN 201973466 U, downloaded from patents.google.com on Jun. 6, 2022.

English language translation of JP 2012074258 A, downloaded from patents.google.com on Jun. 6, 2022.

English language translation of JP 3176320 U, downloaded from patents.google.com on Jun. 6, 2022.

English language translation of TW 201231879 A1, downloaded from patents.google.com on Jun. 6, 2022.

English language translation of CN 102679209 A, downloaded from patents.google.com on Jun. 6, 2022.

English language translation of CN 202484668 U, downloaded from patents.google.com on Jun. 6, 2022.

English language translation of CN 104067045 A, downloaded from patents.google.com on Jun. 6, 2022.

English language translation of WO 2014/196498 A1, downloaded from patents.google.com on Jun. 6, 2022.

English language translation of CN 104295945 A, downloaded from patents.google.com on Jun. 6, 2022.

English language translation of JP 2015195156 A, downloaded from patents.google.com on Jun. 6, 2022.

English language translation of CN 105190169 A, downloaded from patents.google.com on Jun. 6, 2022.

European Community Design Reg. No. 002465880-0001, EUIPO, May 16, 2014.

European Community Design Reg. No. 002465880-0002, EUIPO, May 16, 2014.

European Community Design Reg. No. 002465880-0003, EUIPO, May 16, 2014.

European Community Design Reg. No. 002494427-0001, EUIPO, Jul. 1, 2014.

European Community Design Reg. No. 003098771-0001, EUIPO, Apr. 28, 2016.

European Community Design Reg. No. 003098771-0002, EUIPO, Apr. 28, 2016.

European Community Design Reg. No. 003372796-0001, EUIPO, Sep. 9, 2016.

European Community Design Reg. No. 003428895-0001, EUIPO, Oct. 21, 2016.

European Community Design Reg. No. 003428895-0002, EUIPO, Oct. 21, 2016.

European Community Design Reg. No. 003520717-0001, EUIPO, Dec. 15, 2016.

European Community Design Reg. No. 003781442-0001, EUIPO, Mar. 3, 2017.

European Community Design Reg. No. 003781442-0002, EUIPO, Mar. 3, 2017.

European Community Design Reg. No. 003797158-0001, EUIPO, Mar. 13, 2017.

European Community Design Reg. No. 003797158-0002, EUIPO, Mar. 13, 2017.

European Community Design Reg. No. 003797158-0003, EUIPO, Mar. 13, 2017.

European Community Design Reg. No. 003797158-0004, EUIPO, Mar. 13, 2017.

European Community Design Reg. No. 003797158-0005, EUIPO, Mar. 13, 2017.

European Community Design Reg. No. 003797158-0006, EUIPO, Mar. 13, 2017.

European Community Design Reg. No. 003797158-0007, EUIPO, Mar. 13, 2017.

European Community Design Reg. No. 003797158-0008, EUIPO, Mar. 13, 2017.

European Community Design Reg. No. 003797174-0001, EUIPO, Mar. 13, 2017.

European Community Design Reg. No. 003797174-0002, EUIPO, Mar. 13, 2017.

European Community Design Reg. No. 004125201-0001, EUIPO, Jul. 28, 2017.

European Community Design Reg. No. 004125201-0002, EUIPO, Jul. 28, 2017.

United Kingdom Design Reg. No. 6057652, UKIPO, Mar. 27, 2019.

European Community Design Reg. No. 007572318-0001, EUIPO, Jan. 30, 2020.

European Community Design Reg. No. 007572318-0002, EUIPO, Jan. 30, 2020.

United Kingdom Design Reg. No. 6082656, UKIPO, Feb. 6, 2020.

European Community Design Reg. No. 007721022-0001, EUIPO, Feb. 28, 2020.

European Community Design Reg. No. 007721022-0002, EUIPO, Feb. 28, 2020.

European Community Design Reg. No. 007721022-0003, EUIPO, Feb. 28, 2022.

“NUVO” reference by Amazon.com, date first available Nov. 16, 2011 [online], site visited Feb. 3, 2022, available from internet URL: https://www.amazon.com/dp/B002OMEE4K/ref=cm_sw_em_r_mt_dp_B85RZF2FV3079XG1TMSp?th=1 (Year: 2011).

Homefield Lantern with Motion Sensor by Astro Lighting. Date first available at amazon.com.uk Jun. 4, 2014. (Year: 2014).

Messina #130 7861 from Astro Lighting. Date first available at amazon.com.uk Oct. 29, 2017. (Year: 2017).

“Knurled Texture” reference by hauteShop on Amazon.com, date first available May 17, 2017 [online], site visited Feb. 3, 2022, available from internet URL: https://www.amazon.com/dp/B07RY9SB44/ref=cm_sw_em_r_mt_dp_GJSVRYFR2TJFRV7NAJQZ?th=1 (Year: 2017).

Buster & Punch Stoned Table Light, The Colector, Mar. 30, 2017, site visited Mar. 20, 2018, available online at <http://www.thecollector.com/buster-punch-stoned-table-light/> (Year: 2017).

“CA Creative” reference by Creative Cables USA on Amazon.com, date first available Nov. 16, 2018 [online], site visited Feb. 3, 2022, available from internet URL: <https://www.amazon.com/CA-Creative-Cables-Knurled-Aluminium/dp/B07MQT1HW3?th=1> (Year: 2018).

Astro Homefield Outdoor Pendant Ceiling Light, Product code: 70270104 from johnlewis.com visited Jul. 17, 2019. (Year: 2019).

“GlideRite” reference by Integrity Worldwide on Amazon.com, date first available Jul. 18, 2019 [online], site visited Feb. 3, 2022, available from internet URL: https://www.amazon.com/dp/B07XYFQ16C/ref=cm_sw_em_r_mt_dp_6ZM3590G87E5E9DT80KK?th=1 (Year: 2019).

Quoizel Westover 20" High Earth Black Outdoor Wall Light, available from lampsplus.com as early as Dec. 7, 2020. (Year: 2020).

Z-Lite 584B-BK Dunbroch 1-Light 24 inch Black Outdoor Wall Sconce, available from zlitelightinglights.com as early as Jun. 9, 2020. (Year: 2020).

(56)

References Cited

OTHER PUBLICATIONS

Hinkley Max 18½" High Black Outdoor Wall Light Style # 84A81, available from lampsplus.com, visited Jun. 9, 2021. (Year: 2021). European Community Design Reg. No. 007721022-0003, EUIPO, Feb. 28, 2020.

China Design Patent No. 303103325, CNIPA, Feb. 11, 2015.

Artemide, Calumet Lighting System. First available unknown. Searched Sep. 6, 2022. [<https://www.artemide.com/en/subfamily/1884107/calumet?series=7>] (Year: 2022).

Forma Lighting, Zero Pendant Light. First available unknown. Searched Sep. 6, 2022. [<https://www.formalighting.com/products/indoor-lighting/pendant/zero>] (Year: 2022).

Forma Lighting, Zip Recessed Ceiling Spotlight. First available unknown. Searched Sep. 6, 2022. [<http://www.archiexpo.com/prod/forma-lighting-italia-srl/product-88894-2279066.html>] (Year: 2022).

Ai Lati, Caleido Wall-mounted Spotlight. First available unknown. Searched Sep. 6, 2022. [<https://www.archiexpo.com/prod/ai-lati-lights/product-103698-2014408.html>] (Year: 2022).

"Black" reference by Harwez on Amazon.com, date first available Jan. 9, 2018 [online], site visited Apr. 15, 2022, available from internet URL: <https://www.amazon.com/Industrial-Adjustable-Lighting-Lampholder-Harwez/dp/B078XBVDH9> (Year: 2018).

"Industrial" reference by JACKYLED Direct on Amazon.com, date first available Jul. 9, 2019 [online], site visited Apr. 15, 2022, available from internet URL: <https://www.amazon.com/Industrial-Pendant-JACKYLED-Lampholder-Adjustable/dp/B07V56RNM9> (Year: 2019).

* cited by examiner

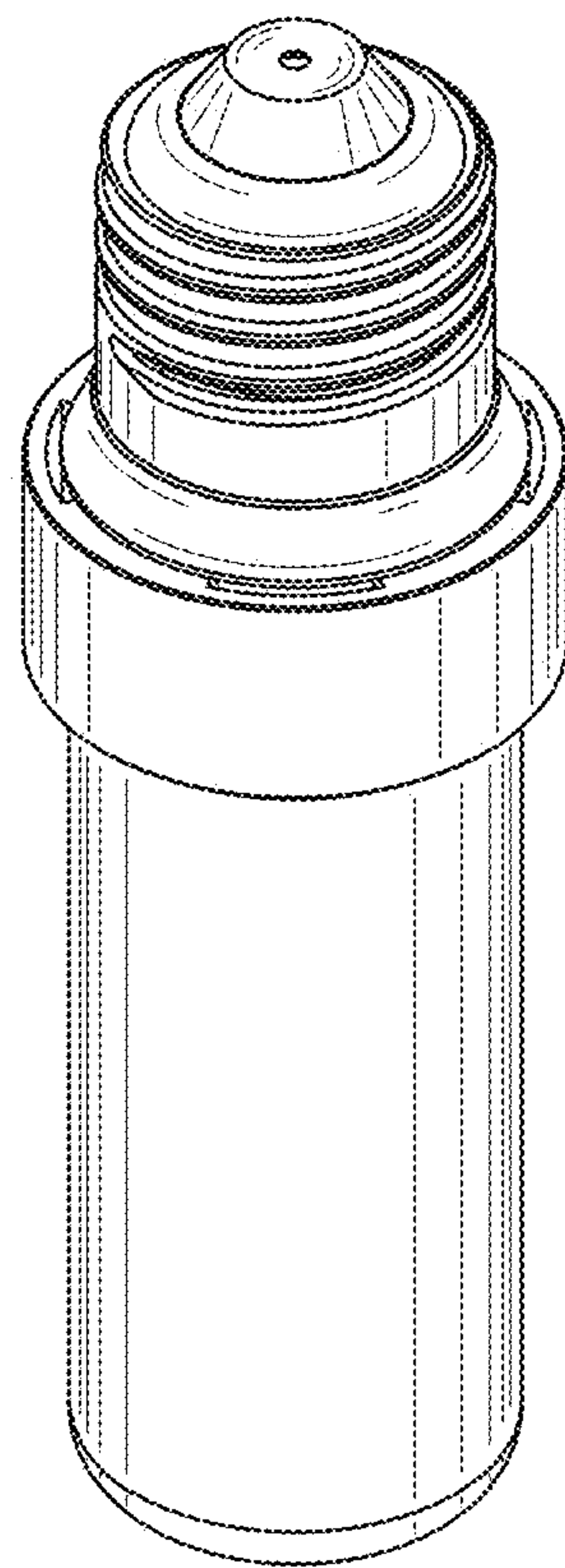


FIG. 1

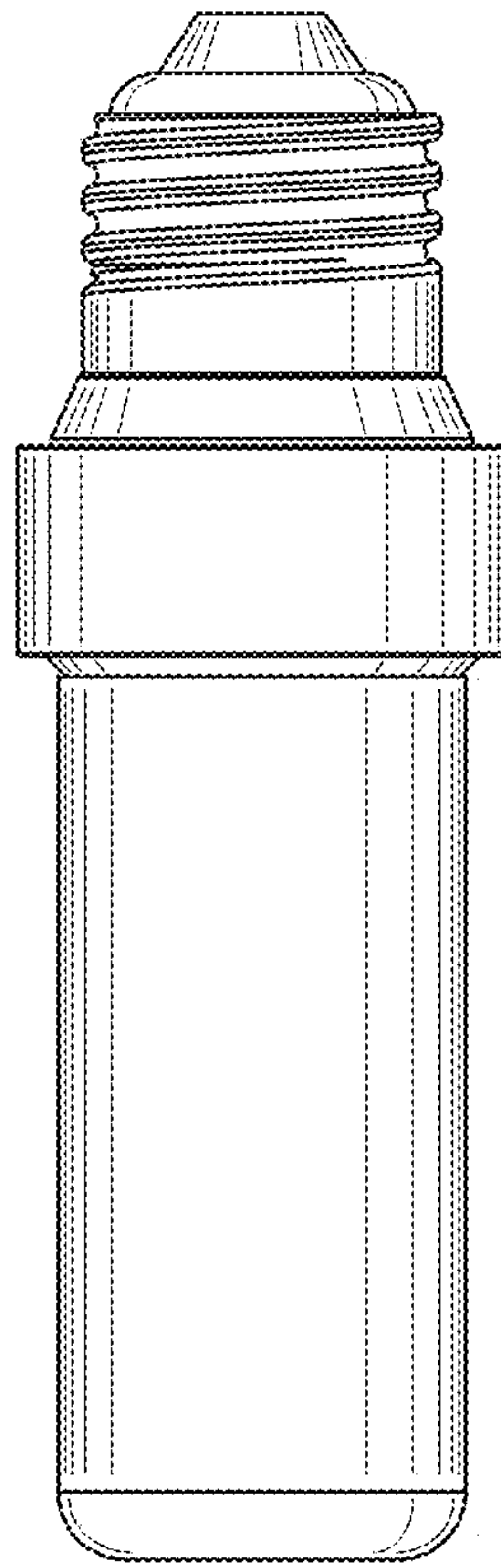


FIG. 2

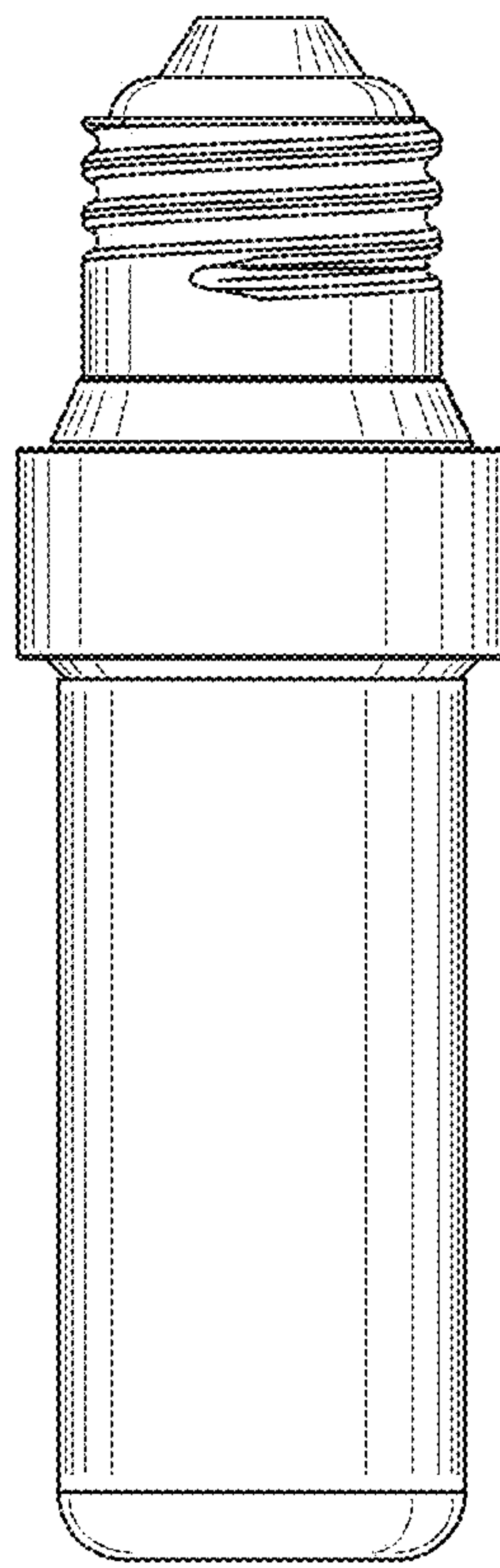


FIG. 3

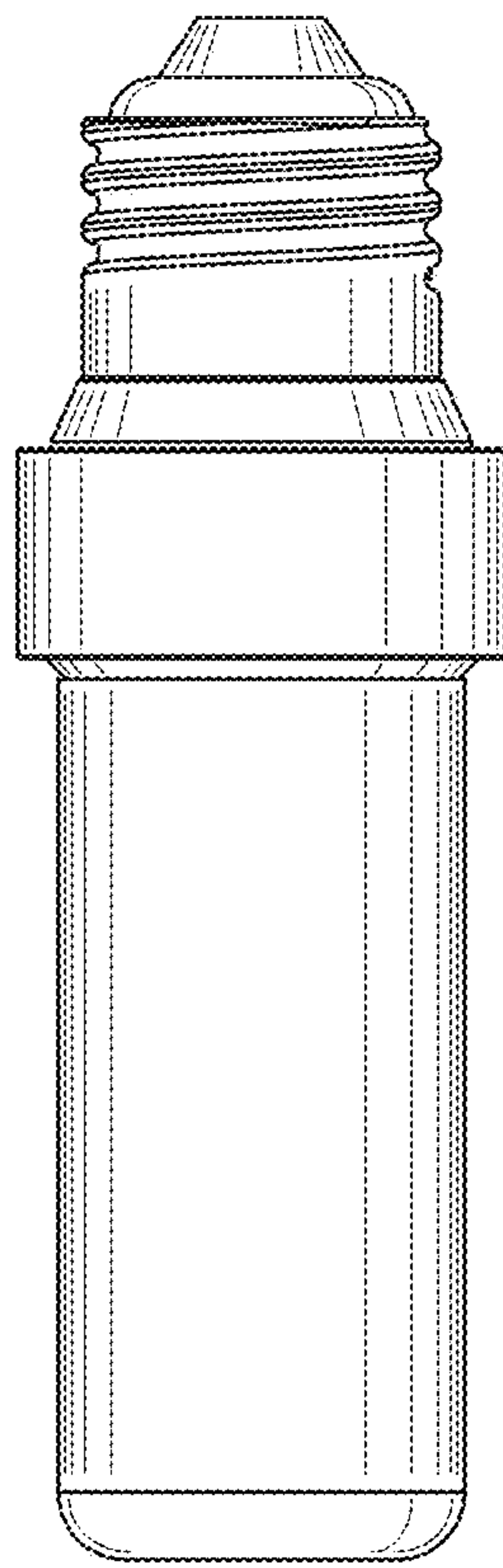


FIG. 4

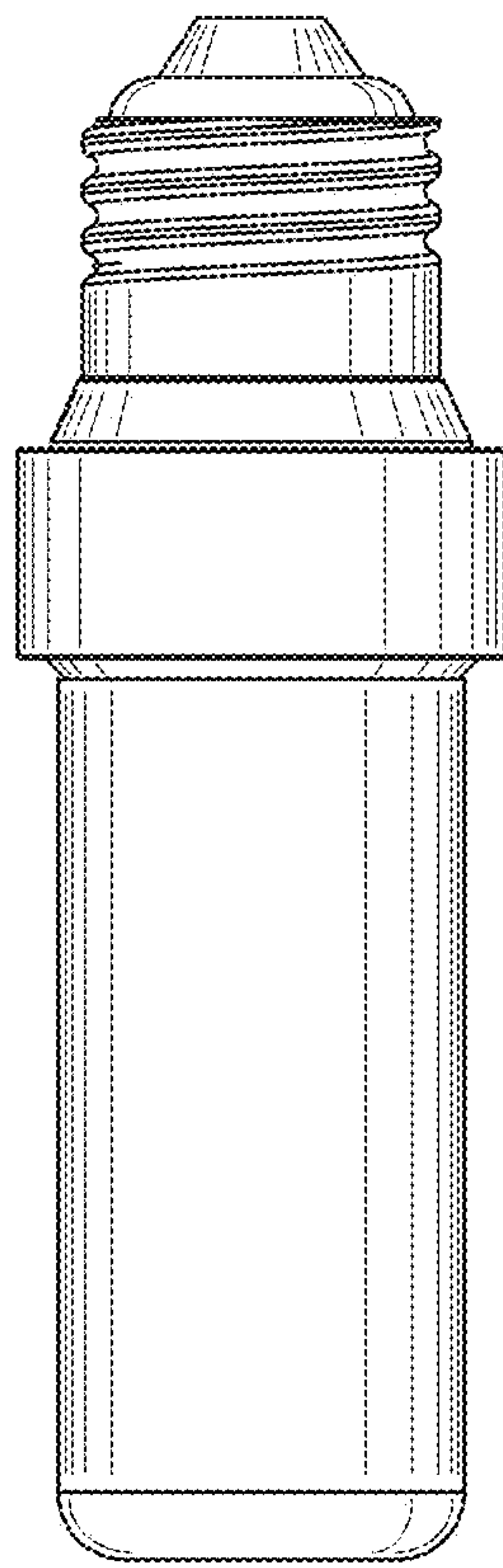


FIG. 5

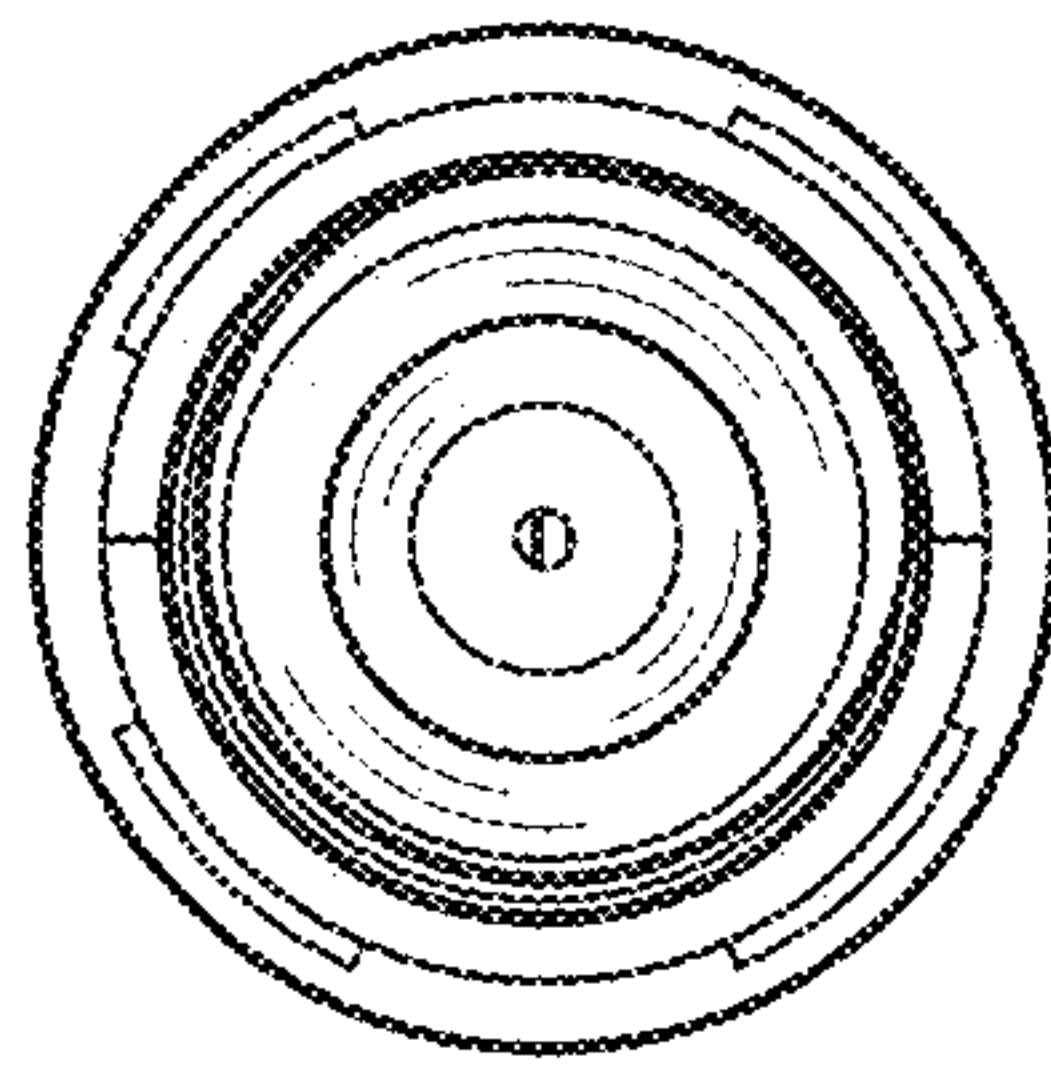


FIG. 6

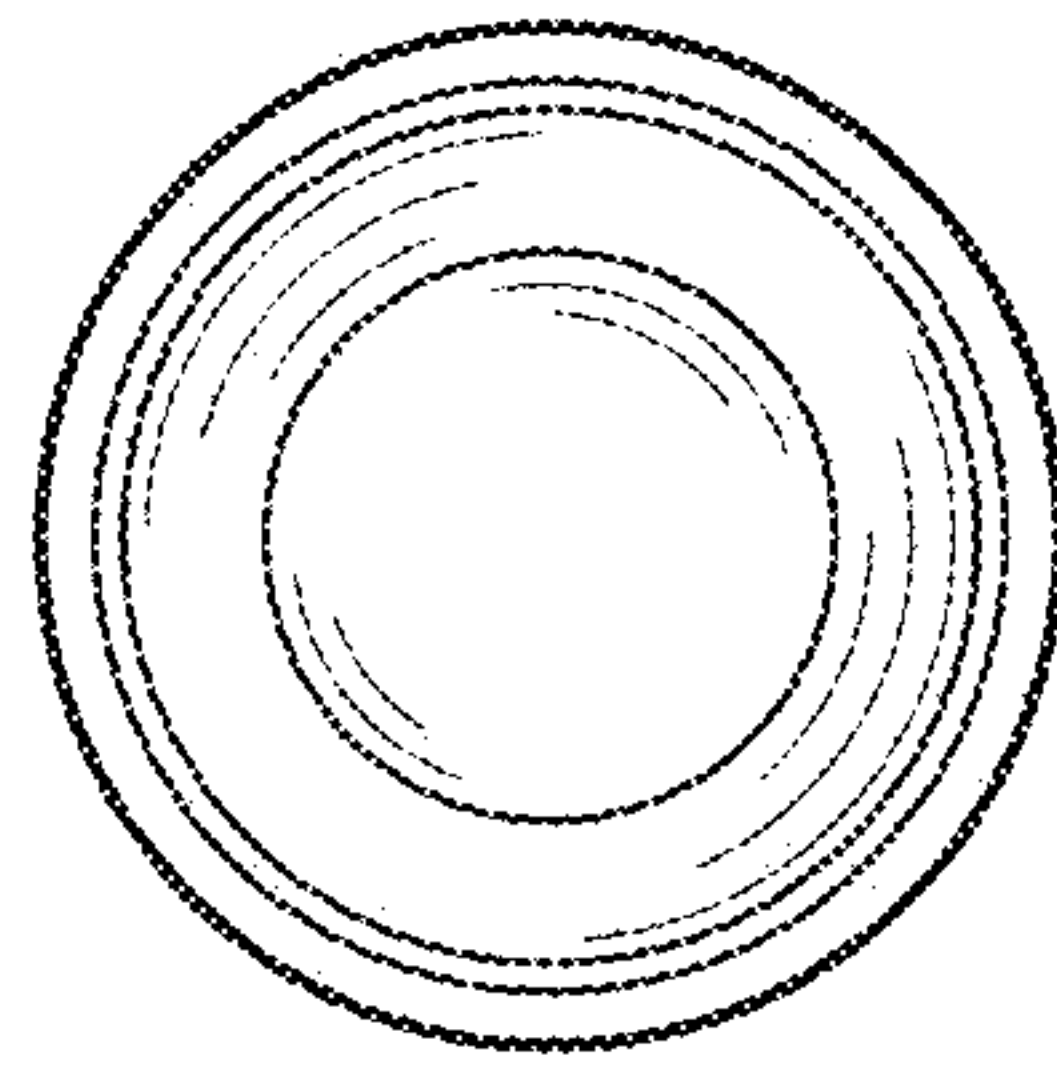


FIG. 7