



US00D987859S

(12) **United States Design Patent** (10) **Patent No.:** **US D987,859 S**
Minale (45) **Date of Patent:** **** May 30, 2023**

(54) **LIGHT BULB**

4,422,719 A 12/1983 Orcutt
4,600,974 A 7/1986 Lew et al.
(Continued)

(71) Applicant: **Buster and Punch Limited**, Stamford (GB)

FOREIGN PATENT DOCUMENTS

(72) Inventor: **Massimo Minale**, London (GB)

CN 2519104 Y 10/2002
CN 2536894 Y 2/2003
(Continued)

(73) Assignee: **Buster and Punch Limited**, Stamford (GB)

(**) Term: **15 Years**

OTHER PUBLICATIONS

(21) Appl. No.: **29/803,786**

“Buster Bulb / Forked / Smoked”, available in busterandpunch.com, announced year 2022 (online), site visited Dec. 14, 2022, <https://www.busterandpunch.com/us/shop/lighting/light-bulbs/buster-bulb-forked-dimmable/> (Year: 2022).*

(22) Filed: **Aug. 16, 2021**

(Continued)

(30) **Foreign Application Priority Data**

Feb. 25, 2021 (GB) 6120979

(51) **LOC (14) Cl.** **26-04**

Primary Examiner — Angela J Lee

(52) **U.S. Cl.**
USPC **D26/2; D26/1; D26/3**

Assistant Examiner — Anthony Vincent Rotolo

(58) **Field of Classification Search**
USPC ... D26/1, 2, 3, 4, 24, 26, 40, 42, 49, 75, 78,
D26/93, 113

(74) *Attorney, Agent, or Firm* — Kolitch Romano
Dascenzo Gates LLC

CPC . F21K 9/27; F21K 9/272; F21K 9/278; F21V
23/002; F21V 23/04; F21V 23/006; F21Y
2103/00; F21Y 2115/10; H01R 33/942;
H01R 33/955; H01J 5/48; H01J 5/50

(57) **CLAIM**

See application file for complete search history.

The ornamental design for a light bulb, as shown and described.

(56) **References Cited**

DESCRIPTION

U.S. PATENT DOCUMENTS

D85,931 S 1/1932 Graff
D126,996 S * 5/1941 Zaun D26/4
2,362,131 A 11/1944 Haggart, Jr.
D152,994 S 3/1949 McCann
D164,507 S 9/1951 McCann
D167,930 S * 10/1952 Dribnack D26/2
D206,454 S 12/1966 Rosen
D244,310 S 5/1977 Dunning
D253,854 S 1/1980 Strignano
4,208,701 A 6/1980 Schock
4,260,929 A * 4/1981 Jacobs H01J 61/22
313/572
D271,528 S 11/1983 Muller

FIG. 1 is a bottom isometric view of a light bulb showing the design.

FIG. 2 is a first side elevation view thereof.

FIG. 3 is a second side elevation view thereof.

FIG. 4 is a third side elevation view thereof.

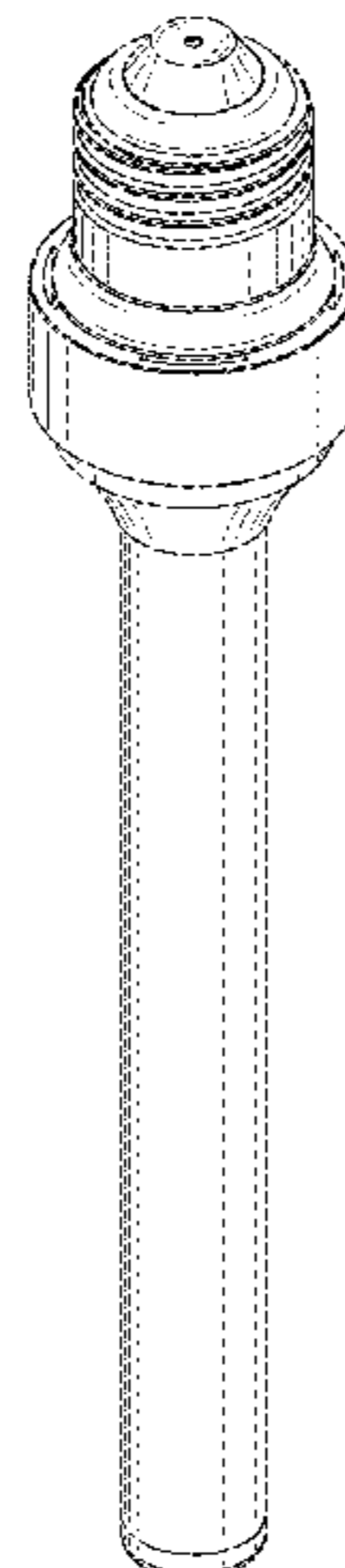
FIG. 5 is a fourth side elevation view thereof.

FIG. 6 is a bottom plan view thereof; and,

FIG. 7 is a top plan view thereof.

The shading lines shown in the drawings represent the three-dimensional contour of the claimed design and are not intended to indicate surface decoration.

1 Claim, 7 Drawing Sheets



(56)

References Cited

U.S. PATENT DOCUMENTS

4,754,197 A * 6/1988 Zwald H01J 61/34
362/255

5,092,807 A 3/1992 Lew et al.

5,105,309 A 4/1992 Baravaglio et al.

5,165,781 A 11/1992 Orak

D363,362 S 10/1995 Davis, Sr.

D387,445 S * 12/1997 Sato D26/3

D399,018 S 9/1998 Jensen et al.

D399,330 S 10/1998 Geier et al.

5,980,063 A 11/1999 Ford et al.

D439,361 S 3/2001 Berry

D442,317 S 5/2001 Crosby

6,550,952 B1 4/2003 Hulse et al.

D481,157 S 10/2003 Fickas et al.

D483,143 S 12/2003 Orozco

6,758,588 B2 7/2004 Hsu

D553,791 S 10/2007 Bouroullec et al.

D558,381 S 12/2007 Choi et al.

D563,022 S 2/2008 Hetfield et al.

D565,230 S 3/2008 Hetfield et al.

D575,444 S 8/2008 Lissoni

D583,976 S 12/2008 Horn et al.

D589,191 S 3/2009 Sabernig

7,565,050 B2 7/2009 Lee et al.

D599,947 S 9/2009 Sabernig

D600,390 S 9/2009 Sabernig

7,699,490 B2 4/2010 Tsai et al.

7,726,860 B2 6/2010 Harrity et al.

D626,675 S 11/2010 Leen

D627,085 S 11/2010 Duan et al.

7,837,348 B2 11/2010 Narendran et al.

D629,929 S 12/2010 Chen et al.

D633,226 S 2/2011 Katsaros

D634,451 S 3/2011 De Visser

D642,289 S 7/2011 Kleene

7,976,206 B2 7/2011 Wu et al.

D642,704 S 8/2011 Hagens et al.

D646,833 S 10/2011 Chen

8,136,959 B2 3/2012 Ho

D659,281 S 5/2012 Patkus et al.

D664,287 S 7/2012 Cegnar

D667,568 S 9/2012 Chen et al.

8,287,145 B2 10/2012 Isogai et al.

D675,755 S * 2/2013 Yamamoto D26/2

D692,596 S 10/2013 Webb et al.

D693,515 S 11/2013 Muller

D694,942 S 12/2013 Lindsley et al.

D705,981 S 5/2014 Cegnar

D713,089 S 9/2014 Orozco

D727,542 S * 4/2015 Li D26/2

D731,694 S 6/2015 Tomlinson

D735,388 S 7/2015 Schlegel

D741,519 S * 10/2015 Wang D26/2

D748,313 S 1/2016 Grundl et al.

9,447,945 B2 9/2016 Narendran et al.

D771,283 S * 11/2016 Ke D26/2

D773,091 S 11/2016 Nouvel

D775,754 S 1/2017 Jepson

D784,601 S 4/2017 Yang

D787,730 S 5/2017 Gines

D788,286 S 5/2017 Busta

D799,093 S 10/2017 Terumichi

D799,739 S 10/2017 Dean

9,822,962 B2 11/2017 McGilvray

D815,334 S 4/2018 Hu

D819,259 S 5/2018 McTaggart

D821,625 S 6/2018 Couvreur et al.

D825,092 S 8/2018 Amato et al.

D835,836 S 12/2018 Furman

D837,436 S 1/2019 Orozco

D838,401 S 1/2019 Joyeux

D841,220 S 2/2019 Chen et al.

10,295,161 B1 5/2019 Shih

D851,318 S 6/2019 Amato et al.

D851,319 S 6/2019 Amato et al.

D852,988 S * 7/2019 Zhu D26/2

D859,717 S 9/2019 Martinez Weber

D862,772 S 10/2019 Wellens et al.

D882,142 S 4/2020 Huang

D887,057 S 6/2020 Healey

D887,067 S 6/2020 Dullely et al.

10,670,203 B1 6/2020 Glazer et al.

D892,383 S 8/2020 McDennon

D903,907 S * 12/2020 Peng D26/2

D909,645 S 2/2021 Tong

D910,885 S * 2/2021 Shalvi D26/2

D917,754 S 4/2021 Dean

10,969,066 B1 * 4/2021 Ormsbee F21V 21/0885

D925,102 S 7/2021 Fletcher

D932,678 S 10/2021 Dullely et al.

D939,927 S 1/2022 Minale et al.

D943,137 S 2/2022 Bjerre-Poulsen et al.

D957,030 S 7/2022 Cornelissen

D959,041 S 7/2022 Chen

D962,529 S 8/2022 Diez

2004/0027837 A1 2/2004 Hsu

2006/0061990 A1 3/2006 Chinniah et al.

2006/0109662 A1 3/2006 Reiff et al.

2008/0205067 A1 8/2008 Neeld et al.

2009/0262535 A1 10/2009 Maillet-Jegou

2010/0157584 A1 6/2010 Ho

2010/0232175 A1 9/2010 Ho

2011/0286200 A1 11/2011 Imura et al.

2011/0309403 A1 12/2011 Kawashima

2011/0309735 A1 12/2011 Parker et al.

2012/0106127 A1 5/2012 Hattori et al.

2012/0287610 A1 11/2012 Krogman

2012/0320608 A1 12/2012 Ramirez

2013/0107516 A1 5/2013 Chou

2013/0114268 A1 5/2013 Shigematsu et al.

2013/0279149 A1 10/2013 Udatsu et al.

2014/0092591 A1 4/2014 Ou Yang et al.

2014/0146558 A1 5/2014 Chen

2014/0185269 A1 7/2014 Li

2014/0376217 A1 12/2014 Yamada et al.

2015/0029742 A1 1/2015 Chen

2018/0142867 A1 5/2018 Read et al.

2019/0203890 A1 7/2019 Moore et al.

2020/0025356 A1 1/2020 Hencken

2020/0370729 A1 11/2020 Eidam

2021/0239309 A1 8/2021 Lazalier et al.

2022/0082223 A1 3/2022 Zhang et al.

2022/0243900 A1 8/2022 Kemparaju et al.

FOREIGN PATENT DOCUMENTS

CN 1802533 A 7/2006

CN 201973466 U 9/2011

CN 102679209 A 9/2012

CN 202484668 U 10/2012

CN 104067045 A 9/2014

CN 104295945 A 1/2015

CN 105190169 A 12/2015

EP 0103729 A1 3/1984

JP 2002245819 A 8/2002

JP 2009016087 A 1/2009

JP 3148997 U 2/2009

JP 2010514209 A 4/2010

JP 2010129300 A 6/2010

JP 2012074258 A 4/2012

JP 3176320 U 5/2012

JP 2015195156 A 11/2015

TW 201231879 A1 8/2012

WO WO 2014/180689 A1 11/2014

WO WO 2014/196498 A1 12/2014

WO WO 2016/139454 A1 9/2016

OTHER PUBLICATIONS

English language translation of JP 2002245819 A, downloaded from patents.google.com on Jun. 6, 2022.

English language translation of CN 2519104 Y, downloaded from patents.google.com on Jun. 6, 2022.

(56)

References Cited

OTHER PUBLICATIONS

- English language translation of CN 2536894 Y, downloaded from patents.google.com on Jun. 6, 2022.
- English language translation of CN 1802533 A, downloaded from patents.google.com on Jun. 6, 2022.
- English language translation of JP 2009016087 A, downloaded from patents.google.com on Jun. 6, 2022.
- English language translation of JP 3148997 U, downloaded from patents.google.com on Jun. 6, 2022.
- English language translation of JP 2010514209 A, downloaded from patents.google.com on Jun. 6, 2022.
- English language translation of JP 2010129300 A, downloaded from patents.google.com on Jun. 6, 2022.
- English language translation of CN 201973466 U, downloaded from patents.google.com on Jun. 6, 2022.
- English language translation of JP 2012074258 A, downloaded from patents.google.com on Jun. 6, 2022.
- English language translation of JP 3176320 U, downloaded from patents.google.com on Jun. 6, 2022.
- English language translation of TW 201231879 A1, downloaded from patents.google.com on Jun. 6, 2022.
- English language translation of CN 102679209 A, downloaded from patents.google.com on Jun. 6, 2022.
- English language translation of CN 202484668 U, downloaded from patents.google.com on Jun. 6, 2022.
- English language translation of CN 104067045 A, downloaded from patents.google.com on Jun. 6, 2022.
- English language translation of WO 2014/196498 A1, downloaded from patents.google.com on Jun. 6, 2022.
- English language translation of CN 104295945 A, downloaded from patents.google.com on Jun. 6, 2022.
- English language translation of JP 2015195156 A, downloaded from patents.google.com on Jun. 6, 2022.
- English language translation of CN 105190169 A, downloaded from patents.google.com on Jun. 6, 2022.
- European Community Design Reg. No. 002465880-0001, EUIPO, May 16, 2014.
- European Community Design Reg. No. 002465880-0002, EUIPO, May 16, 2014.
- European Community Design Reg. No. 002465880-0003, EUIPO, May 16, 2014.
- European Community Design Reg. No. 002494427-0001, EUIPO, Jul. 1, 2014.
- European Community Design Reg. No. 003098771-0001, EUIPO, Apr. 28, 2016.
- European Community Design Reg. No. 003098771-0002, EUIPO, Apr. 28, 2016.
- European Community Design Reg. No. 003372796-0001, EUIPO, Sep. 9, 2016.
- European Community Design Reg. No. 003428895-0001, EUIPO, Oct. 21, 2016.
- European Community Design Reg. No. 003428895-0002, EUIPO, Oct. 21, 2016.
- European Community Design Reg. No. 003520717-0001, EUIPO, Dec. 15, 2016.
- European Community Design Reg. No. 003781442-0001, EUIPO, Mar. 3, 2017.
- European Community Design Reg. No. 003781442-0002, EUIPO, Mar. 3, 2017.
- European Community Design Reg. No. 003797158-0001, EUIPO, Mar. 13, 2017.
- European Community Design Reg. No. 003797158-0002, EUIPO, Mar. 13, 2017.
- European Community Design Reg. No. 003797158-0003, EUIPO, Mar. 13, 2017.
- European Community Design Reg. No. 003797158-0004, EUIPO, Mar. 13, 2017.
- European Community Design Reg. No. 003797158-0005, EUIPO, Mar. 13, 2017.
- European Community Design Reg. No. 003797158-0006, EUIPO, Mar. 13, 2017.
- European Community Design Reg. No. 003797158-0007, EUIPO, Mar. 13, 2017.
- European Community Design Reg. No. 003797158-0008, EUIPO, Mar. 13, 2017.
- European Community Design Reg. No. 003797174-0001, EUIPO, Mar. 13, 2017.
- European Community Design Reg. No. 003797174-0002, EUIPO, Mar. 13, 2017.
- European Community Design Reg. No. 004125201-0001, EUIPO, Jul. 28, 2017.
- European Community Design Reg. No. 004125201-0002, EUIPO, Jul. 28, 2017.
- United Kingdom Design Reg. No. 6057652, UKIPO, Mar. 27, 2019.
- European Community Design Reg. No. 007572318-0001, EUIPO, Jan. 30, 2020.
- European Community Design Reg. No. 007572318-0002, EUIPO, Jan. 30, 2020.
- United Kingdom Design Reg. No. 6082656, UKIPO, Feb. 6, 2020.
- European Community Design Reg. No. 007721022-0001, EUIPO, Feb. 28, 2020.
- European Community Design Reg. No. 007721022-0002, EUIPO, Feb. 28, 2020.
- European Community Design Reg. No. 007721022-0003, EUIPO, Feb. 28, 2022.
- “NUVO” reference by Amazon.com, date first available Nov. 16, 2011 [online], site visited Feb. 3, 2022, available from internet URL: https://www.amazon.com/dp/B002OMEE4K/ref=cm_sw_em_r_mt_dp_B85R/F2FV3079XG1TMSP?th=1 (Year: 2011).
- Homefield Lantern with Motion Sensor by Astro Lighting. Date first available at amazon.com.uk Jun. 4, 2014. (Year: 2014).
- Messina #130 7861 from Astro Lighting. Date first available at amazon.com.uk Oct. 29, 2017. (Year: 2017).
- “Knurled Texture” reference by hauteShop on Amazon.com, date first available May 17, 2017 [online], site visited Feb. 3, 2022, available from internet URL: https://www.amazon.com/dp/B07RY9SB44/ref=cm_sw_em_r_mt_dp_GJSVRYFR2TJFRV7NAJQZ?th=1 (Year: 2017).
- Buster & Punch Stoned Table Light, The Coolector, Mar. 30, 2017, site visited Mar. 20, 2018, available online at <http://www.thecoolector.com/buster-punch-stoned-table-light/> (Year: 2017).
- “CA Creative” reference by Creative Cables USA on Amazon.com, date first available Nov. 16, 2018 [online], site visited Feb. 3, 2022, available from internet URL: <https://www.amazon.com/CA-Creative-Cables-Knurled-Aluminium/dp/B07MQT1HW3?th=1> (Year: 2018).
- Astro Homefield Outdoor Pendant Ceiling Light, Product code: 70270104 from johnlewis.com visited Jul. 17, 2019. (Year: 2019).
- “GlideRite” reference by Integrity Worldwide on Amazon.com, date first available Jul. 18, 2019 [online], site visited Feb. 3, 2022, available from internet URL: https://www.amazon.com/dp/B07XYFQ16C/ref=cm_sw_em_r_mt_dp_6ZM3590G87E5E9DT80KK?th=1 (Year: 2019).
- Quoizel Westover 20" High Earth Black Outdoor Wall Light, available from lampsplus.com as early as Dec. 7, 2020. (Year: 2020).
- Z-Lite 584B-BK Dunbroch 1-Light 24 inch Black Outdoor Wall Sconce, available from zlitelightinglights.com as early as Jun. 9, 2020. (Year: 2020).
- Hinkley Max 18½" High Black Outdoor Wall Light Style # 84A81, available from lampsplus.com, visited Jun. 9, 2021. (Year: 2021).
- China Design Patent No. 303103325, CNIPA, Feb. 11, 2015.
- Artemide, Calumet Lighting System. First available unknown. Searched Sep. 6, 2022. [<https://www.artemide.com/en/subfamily/1884107/calumet?series=7>] (Year: 2022).
- Forma Lighting, Zero Pendant Light. First available unknown. Searched Sep. 6, 2022. [<https://www.formalighting.com/products/indoor-lighting/pendant/zero>] (Year: 2022).
- Forma Lighting, Zip Recessed Ceiling Spotlight. First available unknown. Searched Sep. 6, 2022. [<http://www.archiexpo.com/prod/forma-lighting-italia-srl/product-88894-2279066.html>] (Year: 2022).

(56)

References Cited

OTHER PUBLICATIONS

Ai Lati, Caleido Wall-mounted Spotlight. First available unknown. Searched Sep. 6, 2022. [<https://www.archiexpo.com/prod/ai-lati-lights/product-103698-2014408.html>] (Year: 2022).

“Black” reference by Harwez on Amazon.com, date first available Jan. 9, 2018 [online], site visited Apr. 15, 2022, available from internet URL: <https://www.amazon.com/Industrial-Adjustable-Lighting-Lampholder-Harwez/dp/B078XBVDH9> (Year: 2018).

“Industrial” reference by Jackyled Direct on Amazon.com, date first available Jul. 9, 2019 [online], site visited Apr. 15, 2022, available from internet URL: <https://www.amazon.com/Industrial-Pendant-JACKYLED-Lampholder-Adjustable/dp/B07V56RNM9> (Year: 2019).

European Community Design Reg. No. 007721022-0003, EUIPO, Feb. 28, 2020.

* cited by examiner

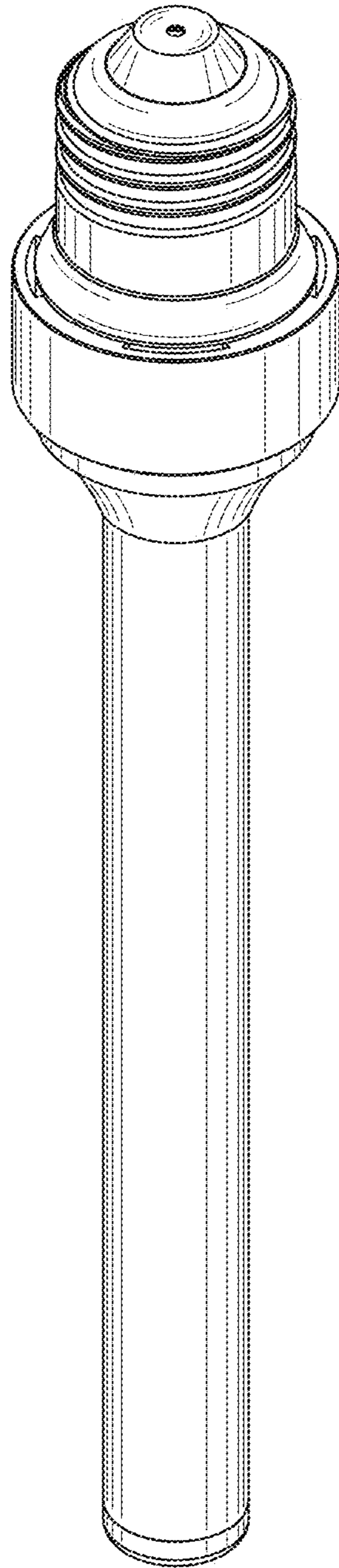


FIG. 1

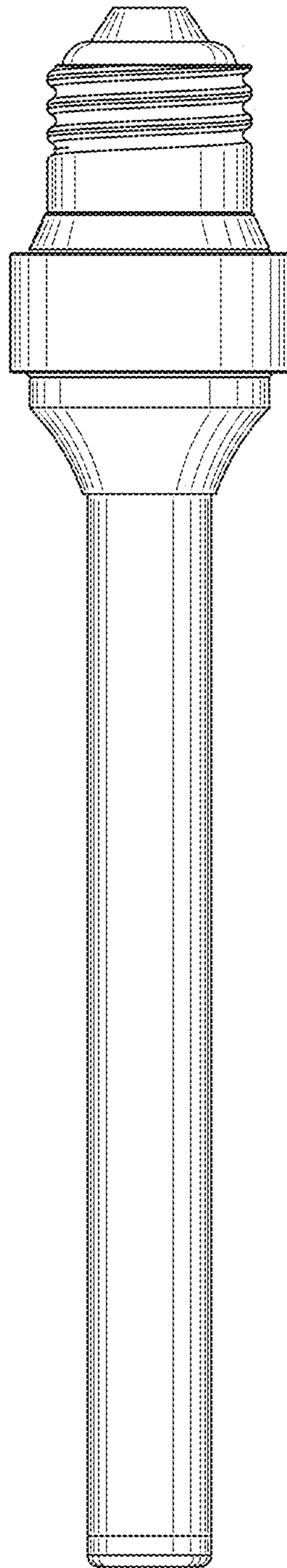


FIG. 2

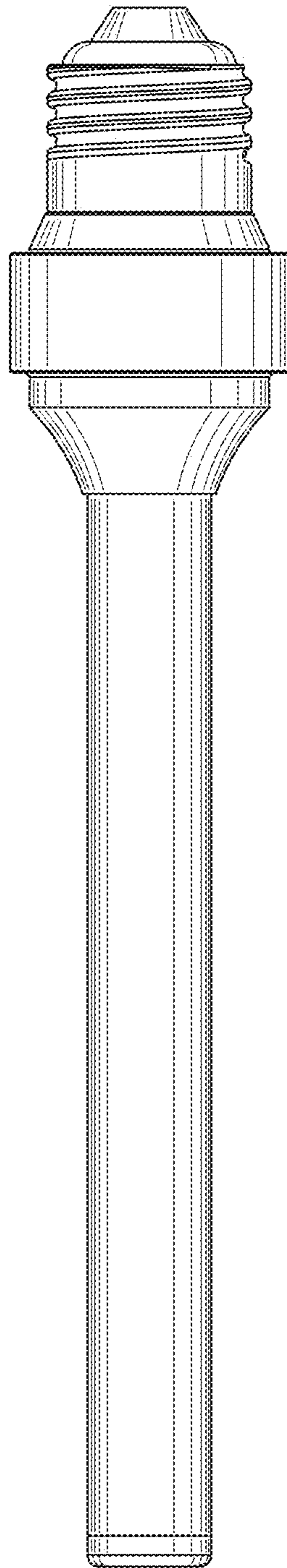


FIG. 3

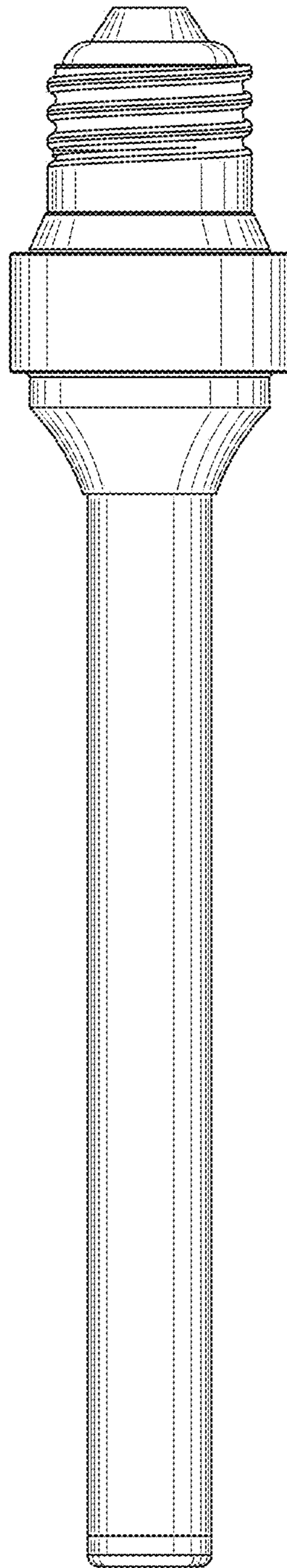


FIG. 4

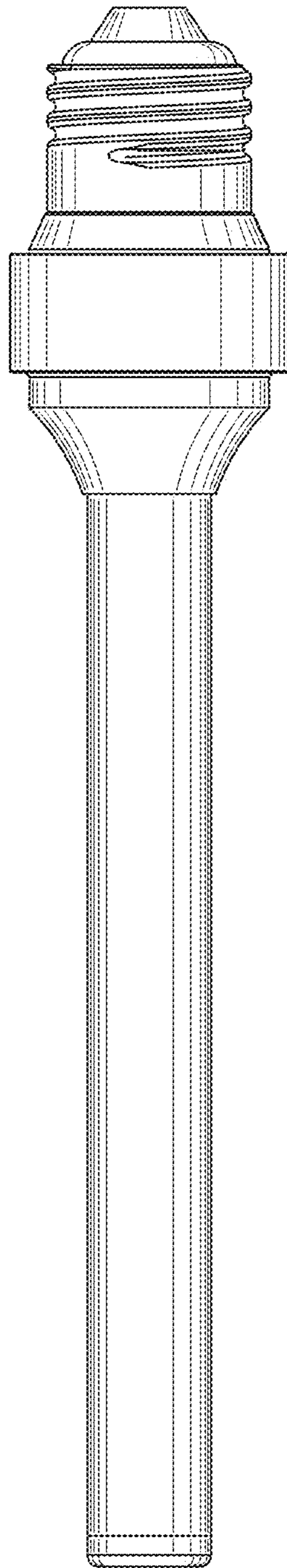


FIG. 5

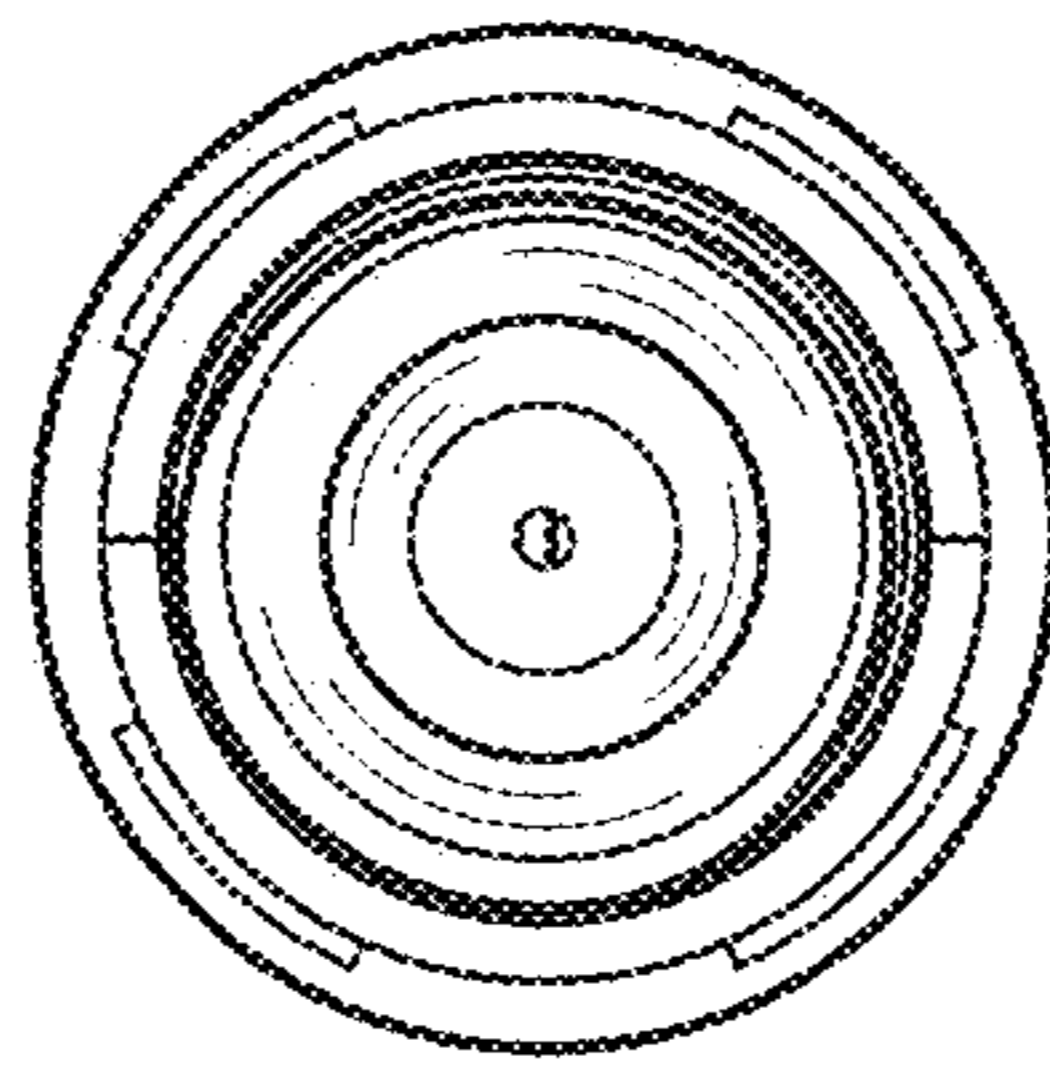


FIG. 6

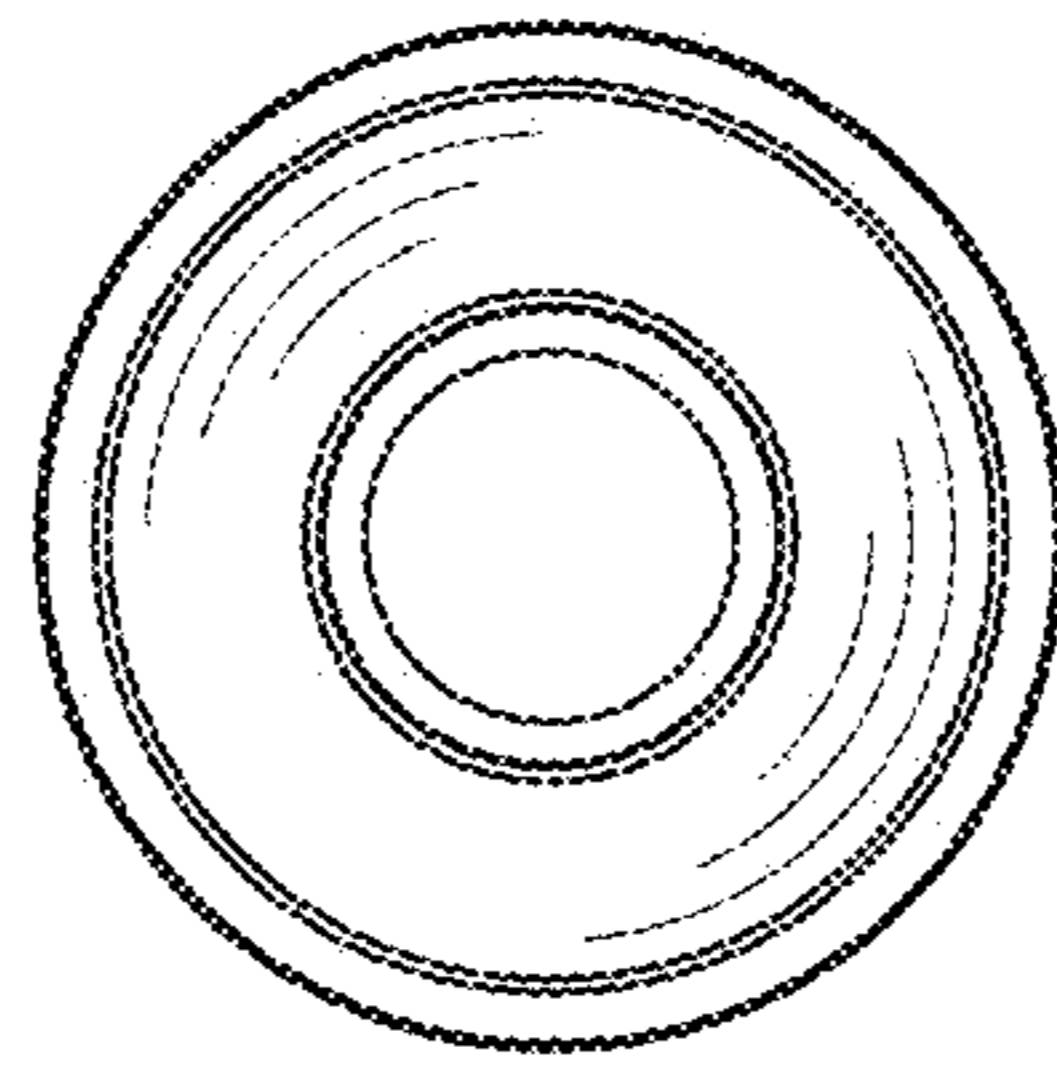


FIG. 7