



US00D987857S

(12) **United States Design Patent**
Vandervennet

(10) **Patent No.:** **US D987,857 S**

(45) **Date of Patent:** **** May 30, 2023**

(54) **RACK BAR**

(71) Applicant: **BeMatrix BV**, Roeselare (BE)

(72) Inventor: **Edwin Vandervennet**, Aalter (BE)

(73) Assignee: **BeMatrix BV**, Roeselare (BE)

(**) Term: **15 Years**

(21) Appl. No.: **29/745,521**

(22) Filed: **Aug. 6, 2020**

(51) **LOC (14) Cl.** **25-01**

(52) **U.S. Cl.**
USPC **D25/61**

(58) **Field of Classification Search**
USPC D25/35, 55, 61, 62
CPC G09F 9/3026; G06F 1/1637; F16M 13/02;
F16M 13/022; E04B 1/18; E04B 1/1903
See application file for complete search history.

(56) **References Cited**

U.S. PATENT DOCUMENTS

3,293,814	A *	12/1966	Zugehor	E04H 9/10
					D25/61
D902,440	S *	11/2020	Giattina	D25/61
D902,441	S *	11/2020	Giattina	D25/61
11,158,216	B2 *	10/2021	Van Der Vennet	..	F16M 13/022
2018/0010327	A1 *	1/2018	Lubinski	E02D 27/01
2019/0318670	A1 *	10/2019	Van Der Vennet	...	G09F 9/3026
2021/0054991	A1 *	2/2021	Stary	E04C 2/38
2021/0157371	A1 *	5/2021	Mori	G06F 1/1601

FOREIGN PATENT DOCUMENTS

CN	304976090	*	1/2019
EM	006992178-0001	*	11/2019
GB	4029467	*	9/2013
GB	9007666581-0001	*	2/2020

OTHER PUBLICATIONS

BeTruss—Components for modular stand construction <https://web.archive.org/web/20200815024600/https://www.bematrix.com/en/products/xtreme-solutions/betruss/> Aug. 15, 2020 (Year: 2020).*
Brochure-xtreme-en-web-compressed <https://www.bematrix.com/media/files/brochure-xtreme-en-web-compressed.pdf> Oct. 27, 2021 (Year: 2021).*

* cited by examiner

Primary Examiner — Leanne Was-Englehart

(74) *Attorney, Agent, or Firm* — Fresh IP PLC; Clifford D. Hyra; Aubrey Y. Chen

(57) **CLAIM**

The ornamental design for a rack bar, as shown and described.

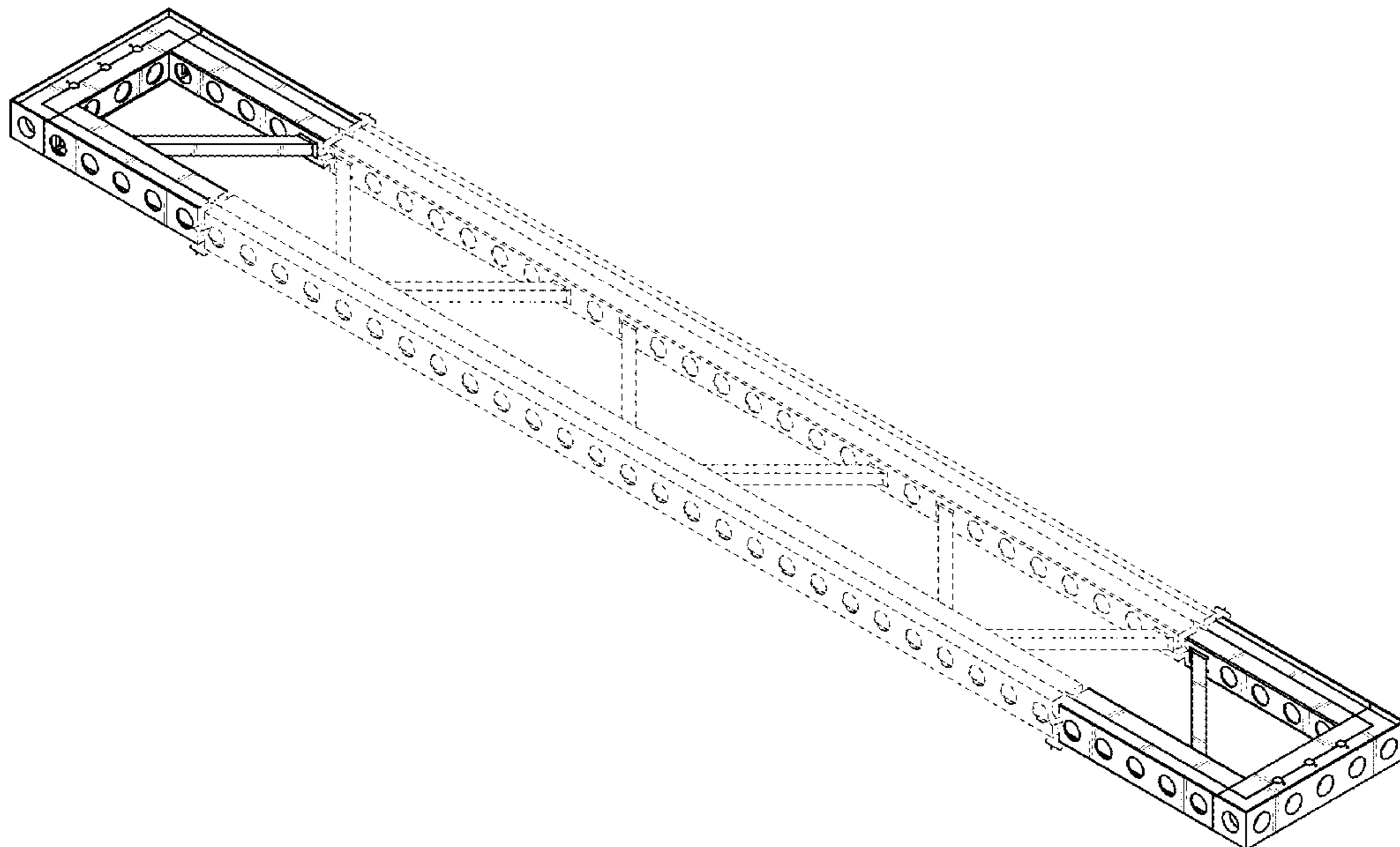
DESCRIPTION

FIG. 1 is a perspective view of a rack bar showing the top, front, and right sides, in a first embodiment;
FIG. 2 is a top view thereof;
FIG. 3 is a front view thereof;
FIG. 4 is a left side view thereof—the right side view thereof is identical;
FIG. 5 is a perspective view of a rack bar showing the top, front, and right sides, in a second embodiment;
FIG. 6 is a top view thereof; and,
FIG. 7 is a front view thereof.

The broken lines in the drawings are included for the purpose of illustrating subject matter that forms no part of the claimed design.

The appearance of any portion of the rack bar between the bracketed jagged break lines in the first and second embodiments forms no part of the claimed design

1 Claim, 7 Drawing Sheets



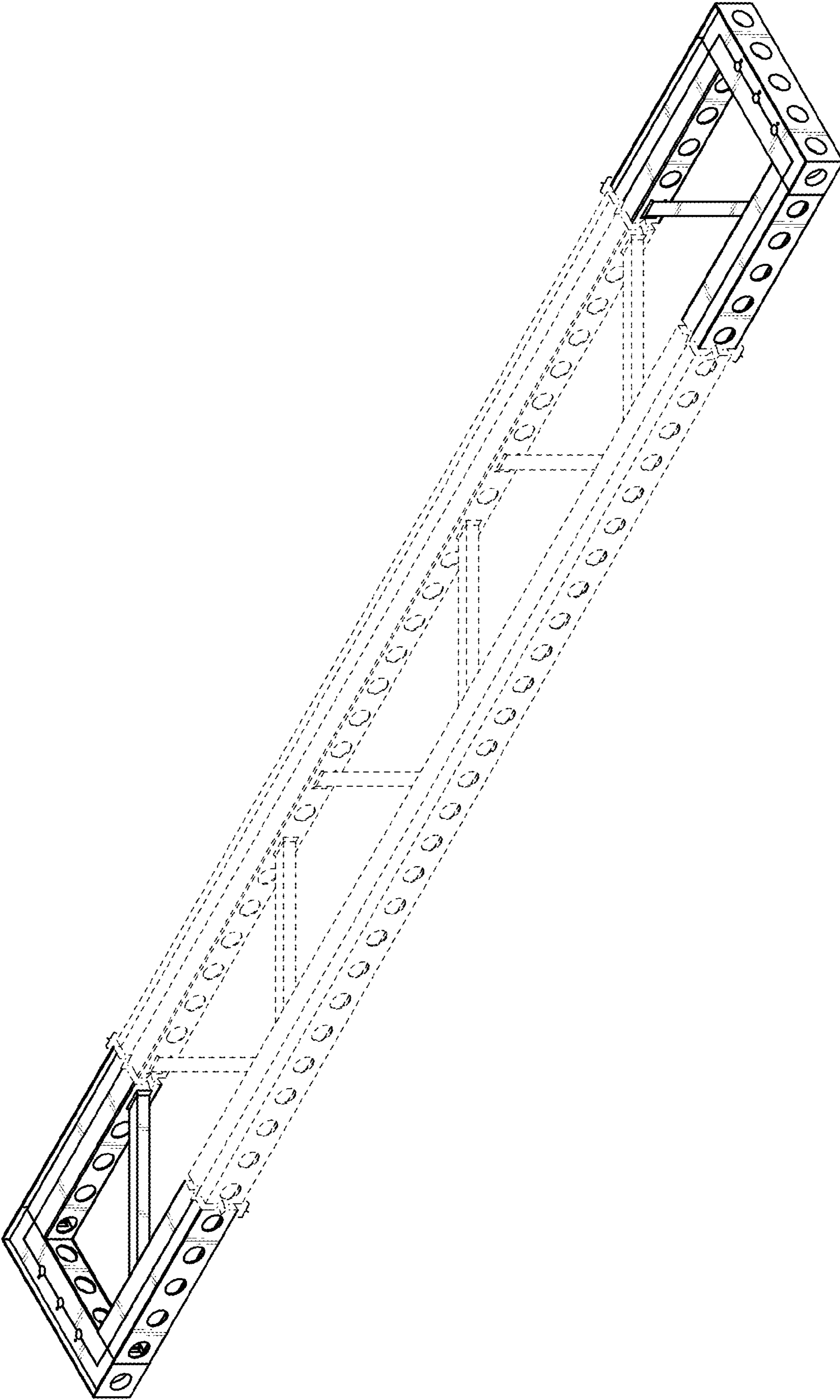


FIG. 1

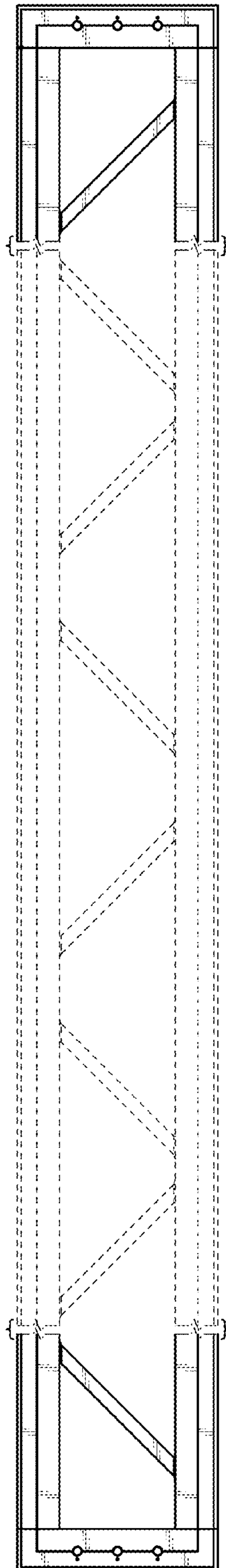


FIG. 2

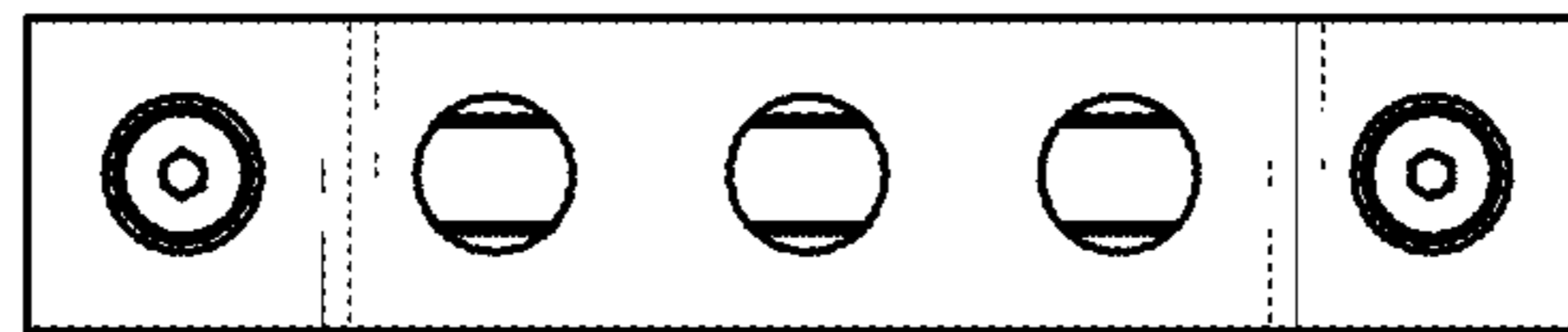


FIG. 4

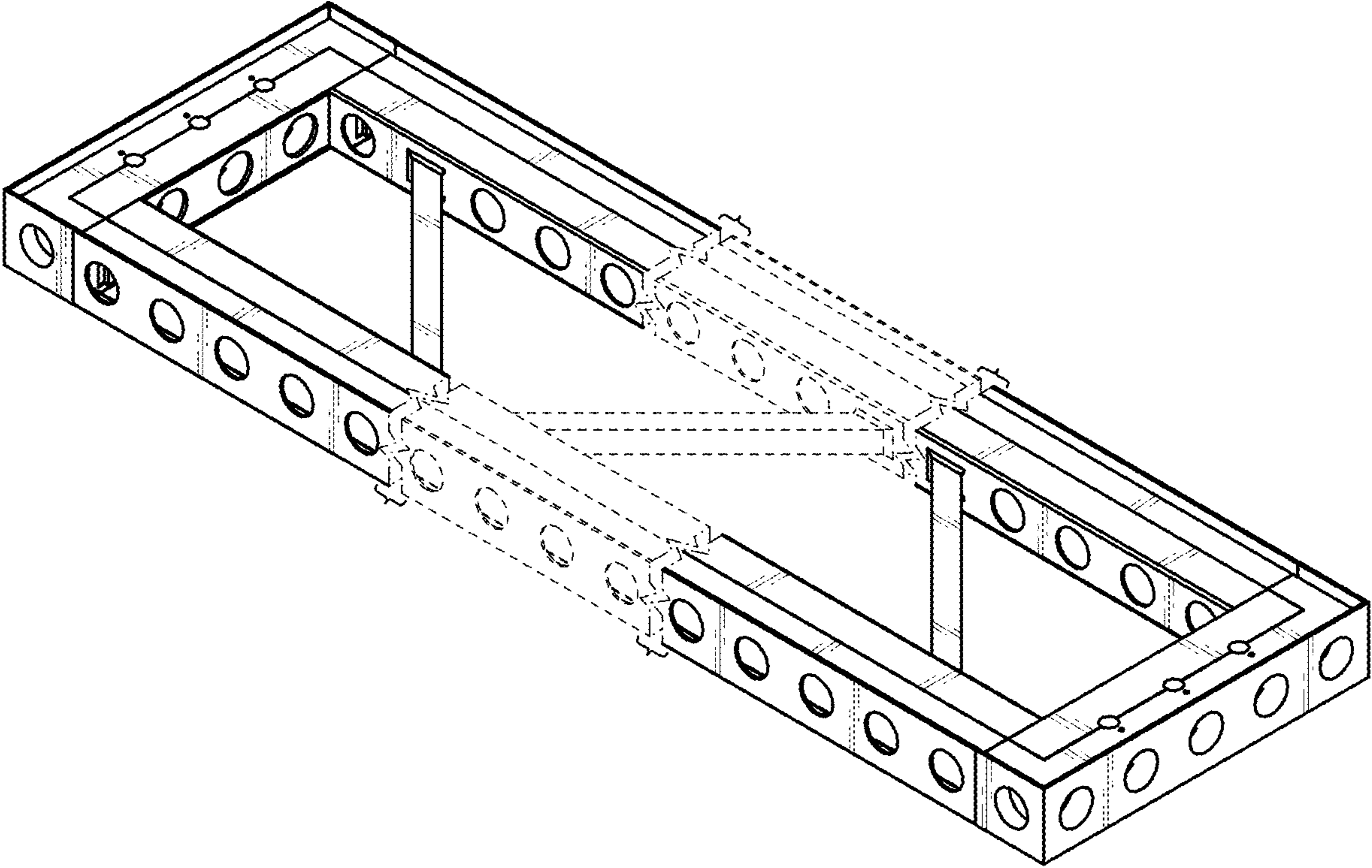


FIG. 5

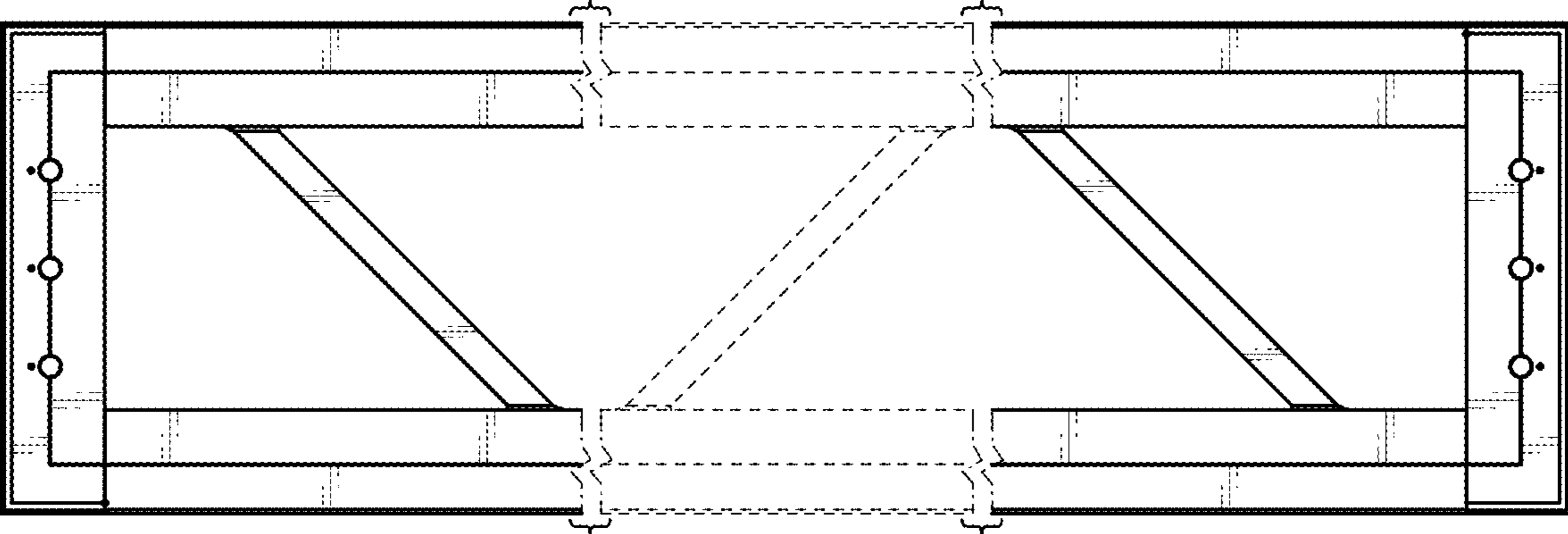


FIG. 6

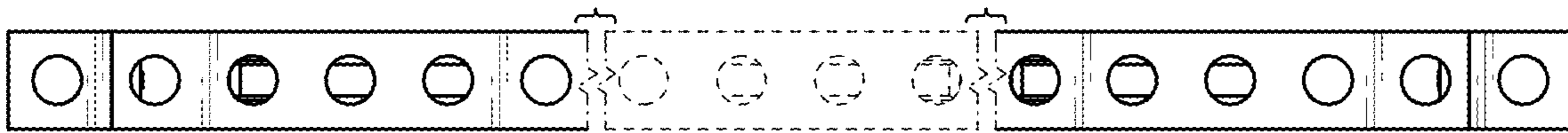


FIG. 7