



US00D987853S

(12) **United States Design Patent**
Burt

(10) **Patent No.:** **US D987,853 S**

(45) **Date of Patent:** **** May 30, 2023**

(54) **ENVIRONMENTALLY SUSTAINABLE HOUSE**

(71) Applicant: **Hafsa Burt**, Castro Valley, CA (US)

(72) Inventor: **Hafsa Burt**, Castro Valley, CA (US)

(**) Term: **15 Years**

(21) Appl. No.: **29/797,231**

(22) Filed: **Jun. 29, 2021**

(51) **LOC (14) Cl.** **25-03**

(52) **U.S. Cl.**
USPC **D25/22**

(58) **Field of Classification Search**
USPC D25/1, 3-35; D12/102-105;
D6/640-644
CPC ... E04H 2001/1283; E04H 1/125; E04H 3/10;
E04H 3/14; E04H 1/02; E04H 1/1216;
E04H 1/1266; E04H 1/1244; E04H
1/1277; E04H 1/12; E04H 15/003
See application file for complete search history.

(56) **References Cited**

U.S. PATENT DOCUMENTS

D161,403 S *	12/1950	Zweig	D25/30
2,765,499 A *	10/1956	Kibbeyw	E04B 1/3442 52/79.5
3,125,194 A *	3/1964	Kimmel	E04B 1/08 52/282.1
D204,603 S *	5/1966	Maltese	D25/33
D210,005 S *	1/1968	Swank	D25/22
3,383,812 A *	5/1968	Starr	E04H 1/1205 52/36.2
3,905,167 A *	9/1975	Watkins	E04B 1/34846 D25/4
D238,165 S *	12/1975	Zusman	D25/30

3,943,671 A *	3/1976	Curci	E04B 1/3408 52/73
D250,155 S *	11/1978	Canagata	D25/1
D293,264 S *	12/1987	Stevenson	D25/16
D343,004 S *	1/1994	Nelson	D25/4
D559,403 S *	1/2008	Vils	D25/33
D640,765 S *	6/2011	Corradi	D21/837
D676,575 S *	2/2013	Wada	D25/33
D822,227 S *	7/2018	Schmiedel	D25/18
D869,685 S *	12/2019	Migeon	D25/22

OTHER PUBLICATIONS

Ecohouse near Faaker See, May 12, 2010, Wikimedia Commons, https://commons.wikimedia.org/wiki/File:Ecohouse_near_Faaker_See,_Austria.JPG (Year: 2010).*

* cited by examiner

Primary Examiner — Brett Miller

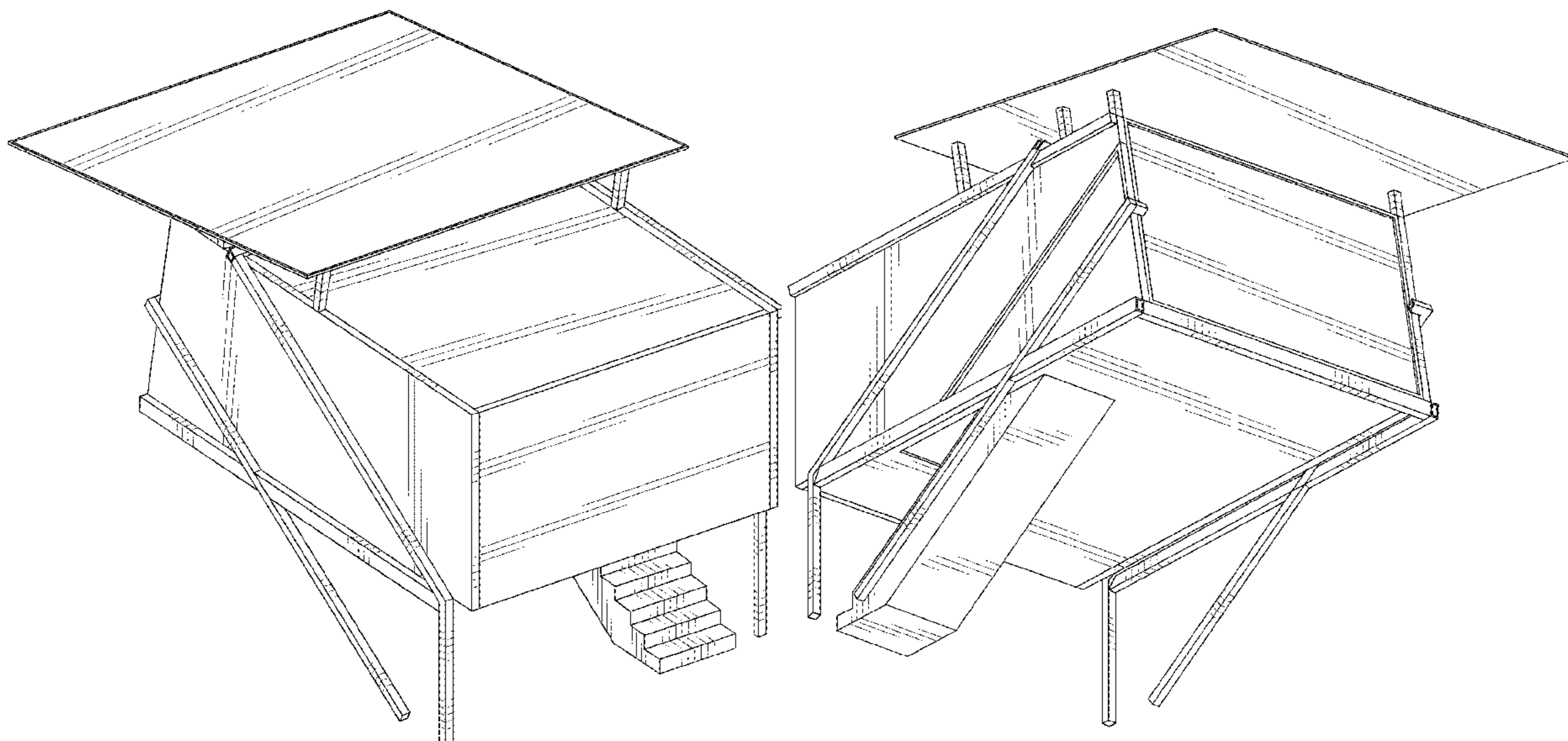
(57) **CLAIM**

The ornamental design for an environmentally sustainable house, as shown and described.

DESCRIPTION

FIG. 1 is a top-front-right perspective view of an environmentally sustainable house showing my new design; FIG. 2 is a bottom-rear-left perspective view thereof; FIG. 3 is a bottom-front-left perspective view thereof; FIG. 4 is a top-rear-right perspective view thereof; FIG. 5 is a front elevational view thereof; FIG. 6 is a rear elevational view thereof; FIG. 7 is a right elevational view thereof; FIG. 8 is a left elevational view thereof; FIG. 9 is a top plan view thereof; and, FIG. 10 is a bottom view thereof.

1 Claim, 10 Drawing Sheets



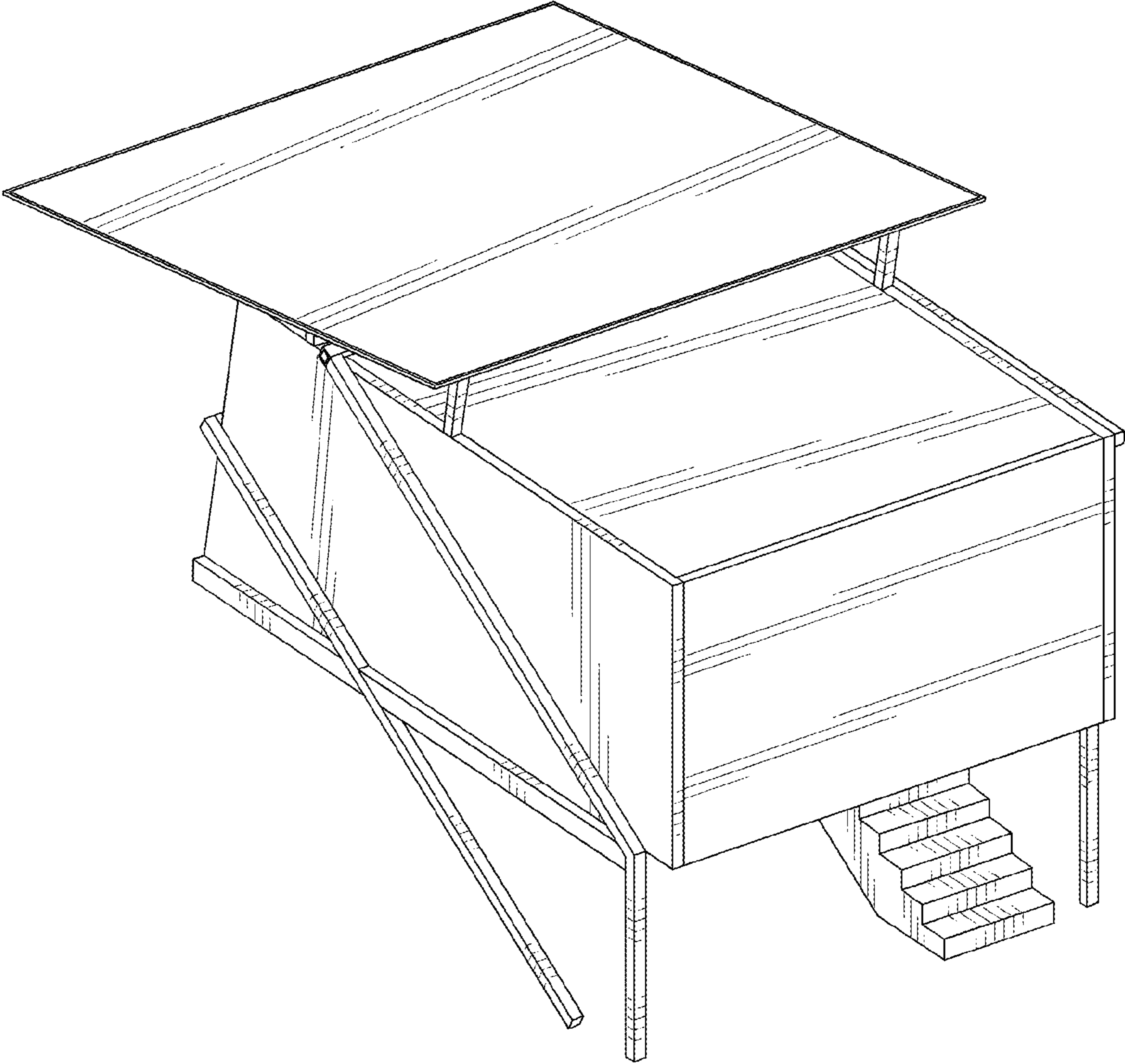


FIG. 1

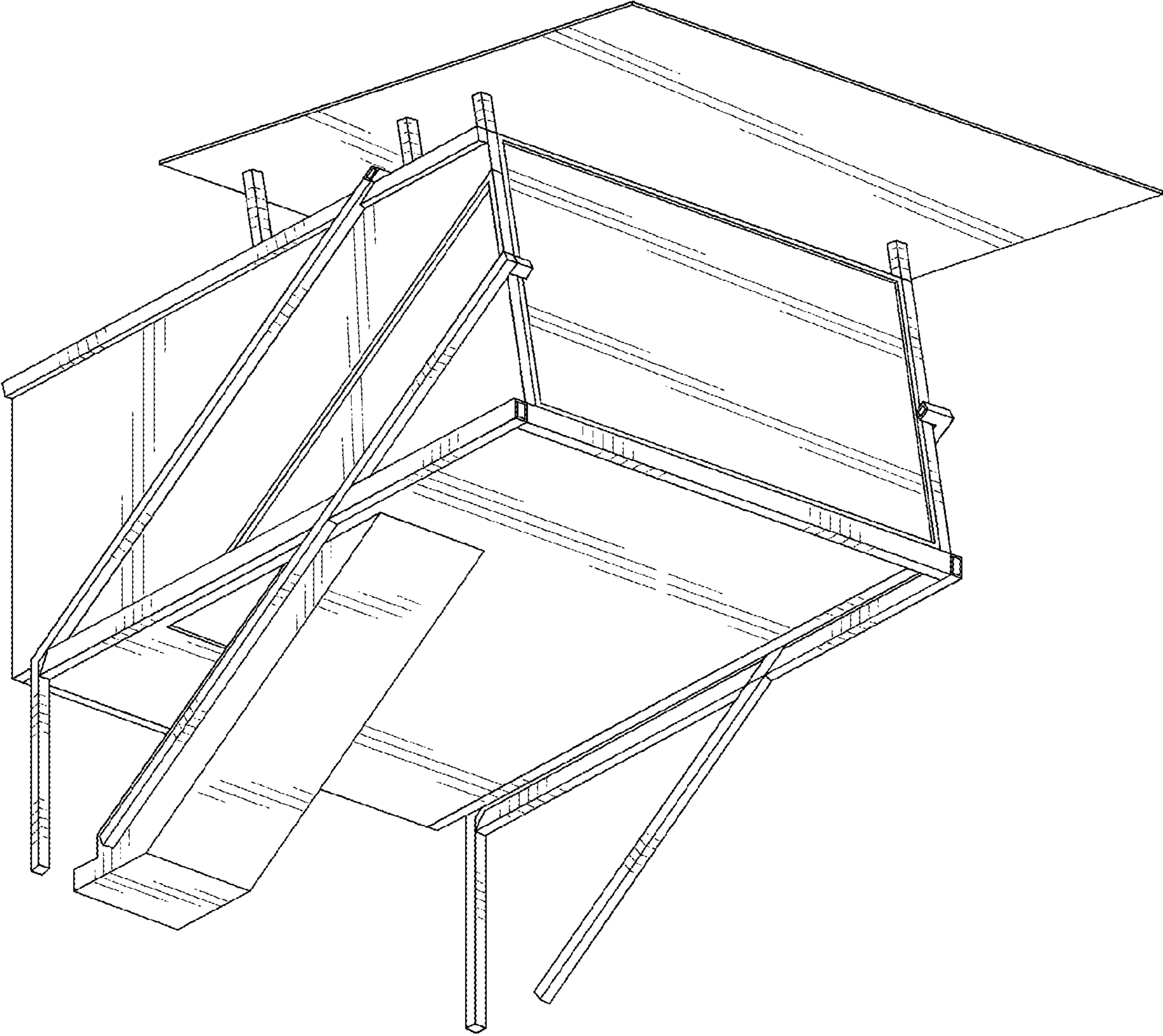


FIG. 2

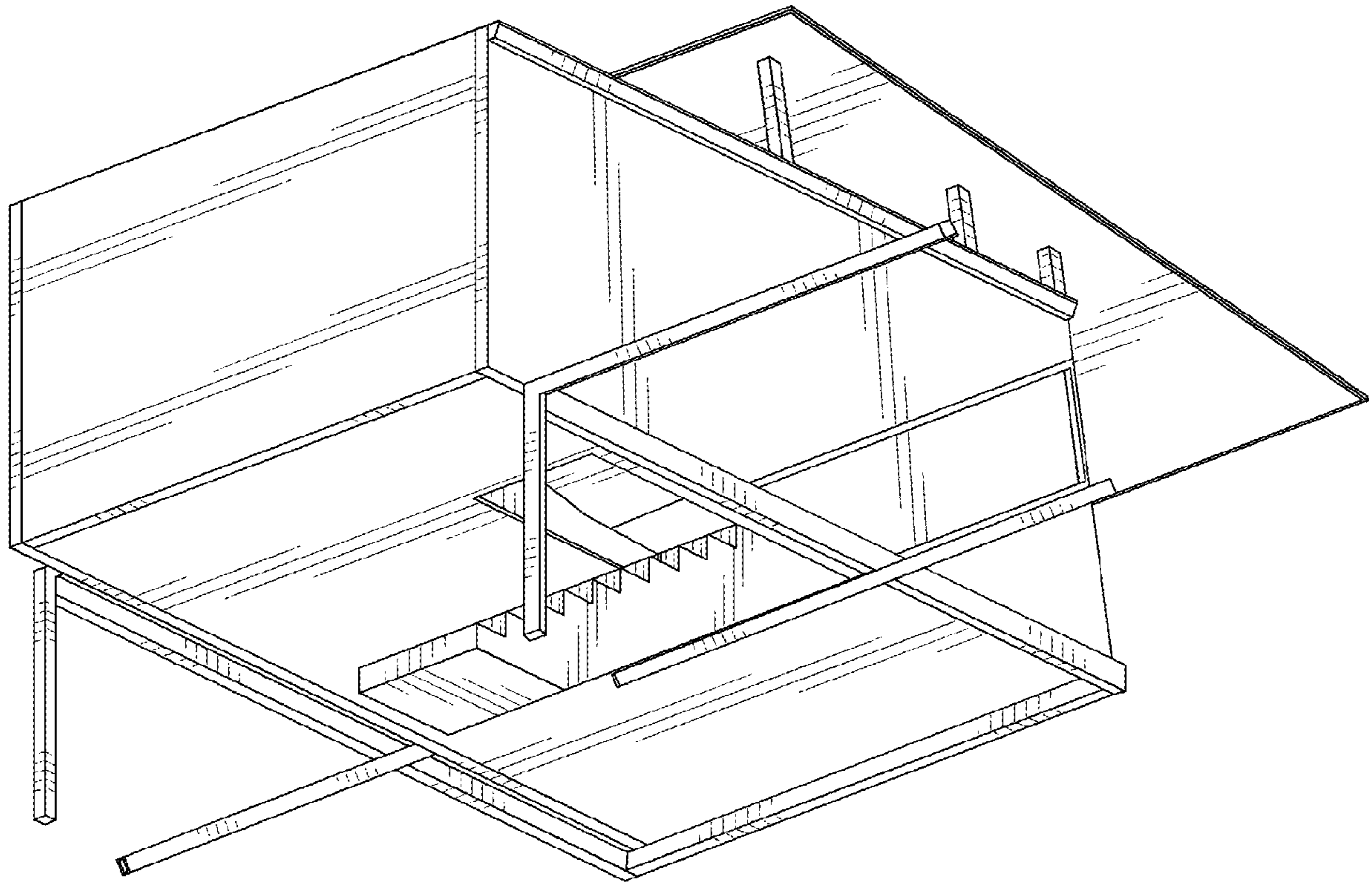


FIG. 3

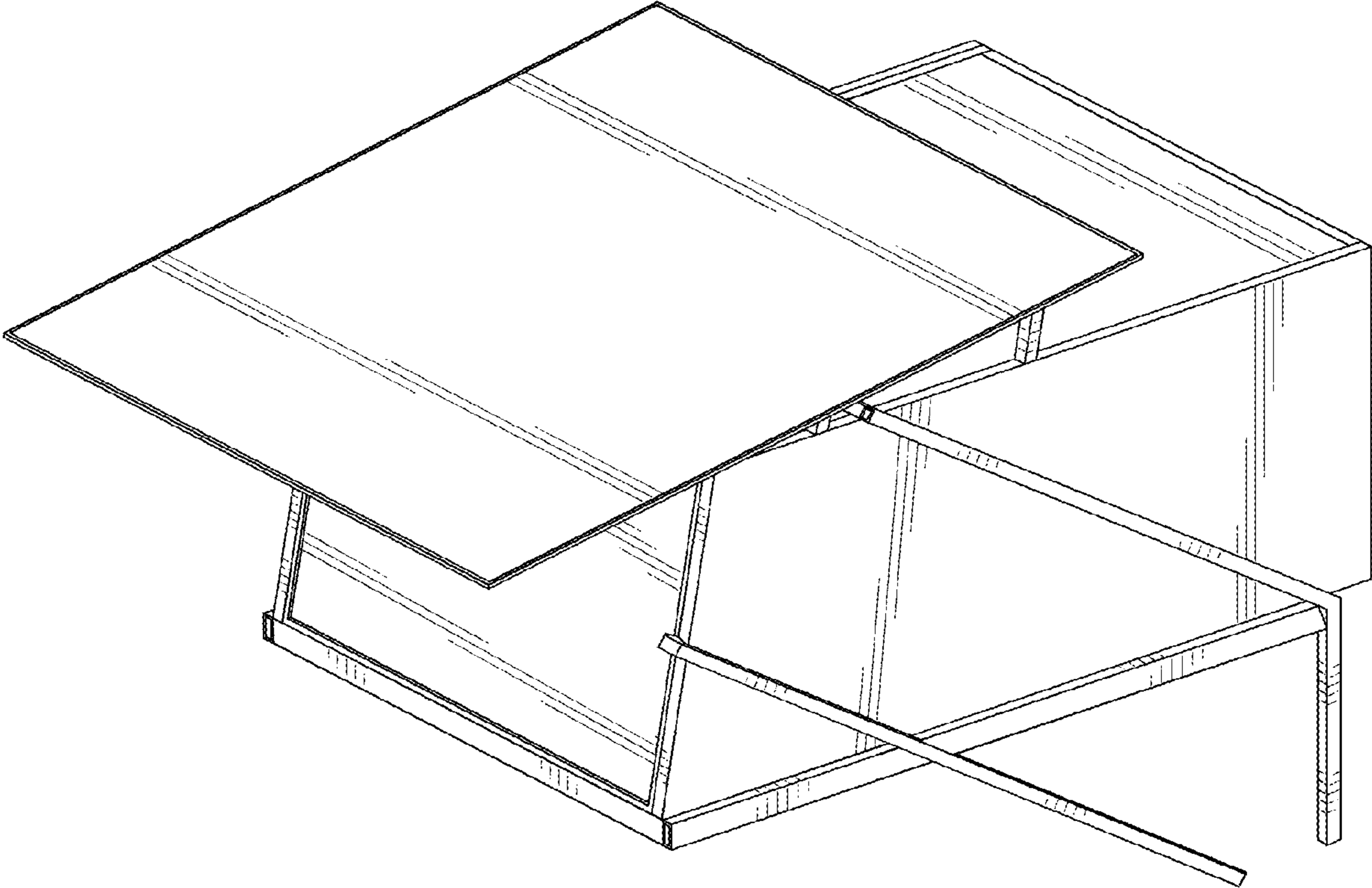


FIG. 4

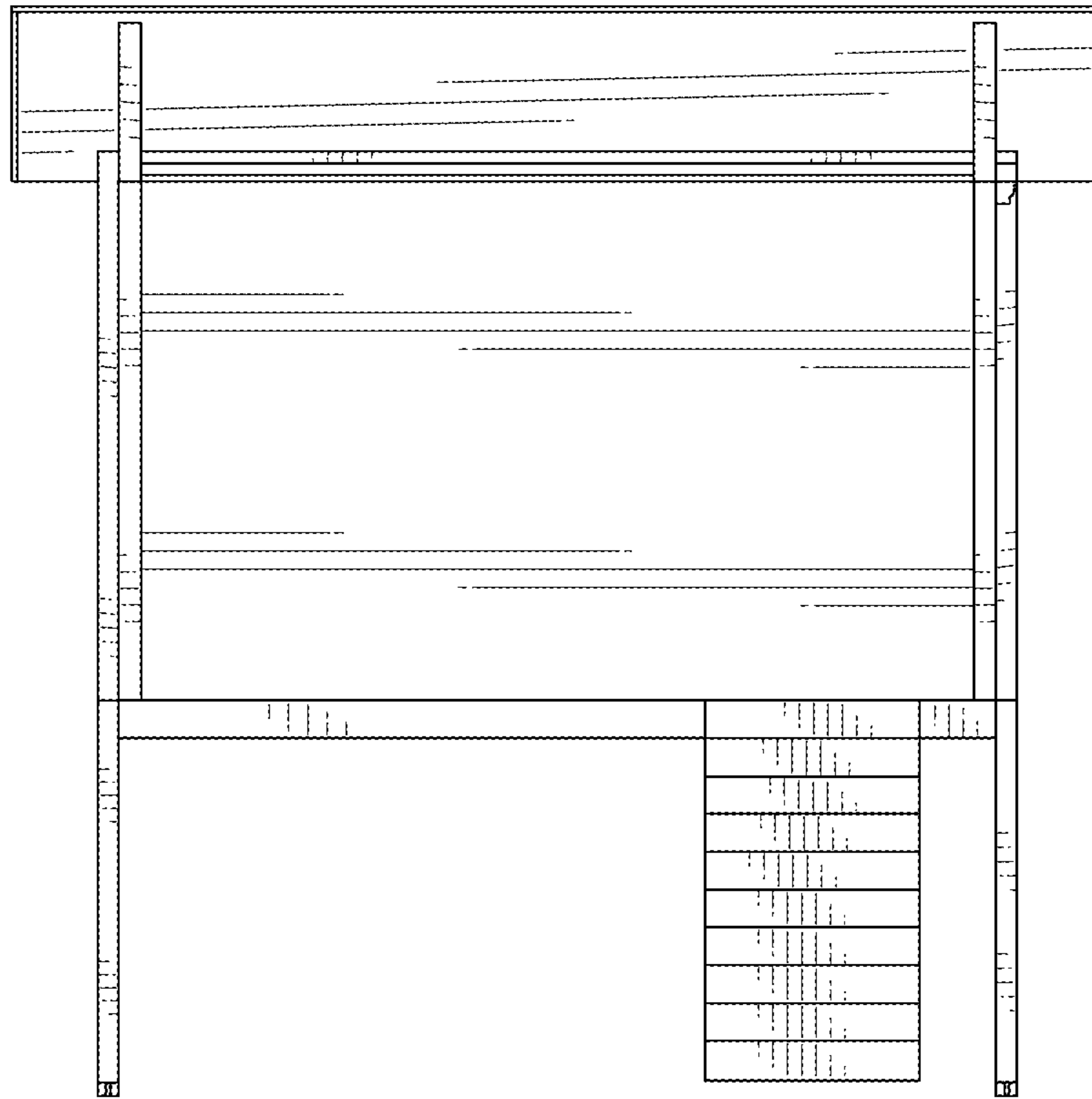


FIG. 5

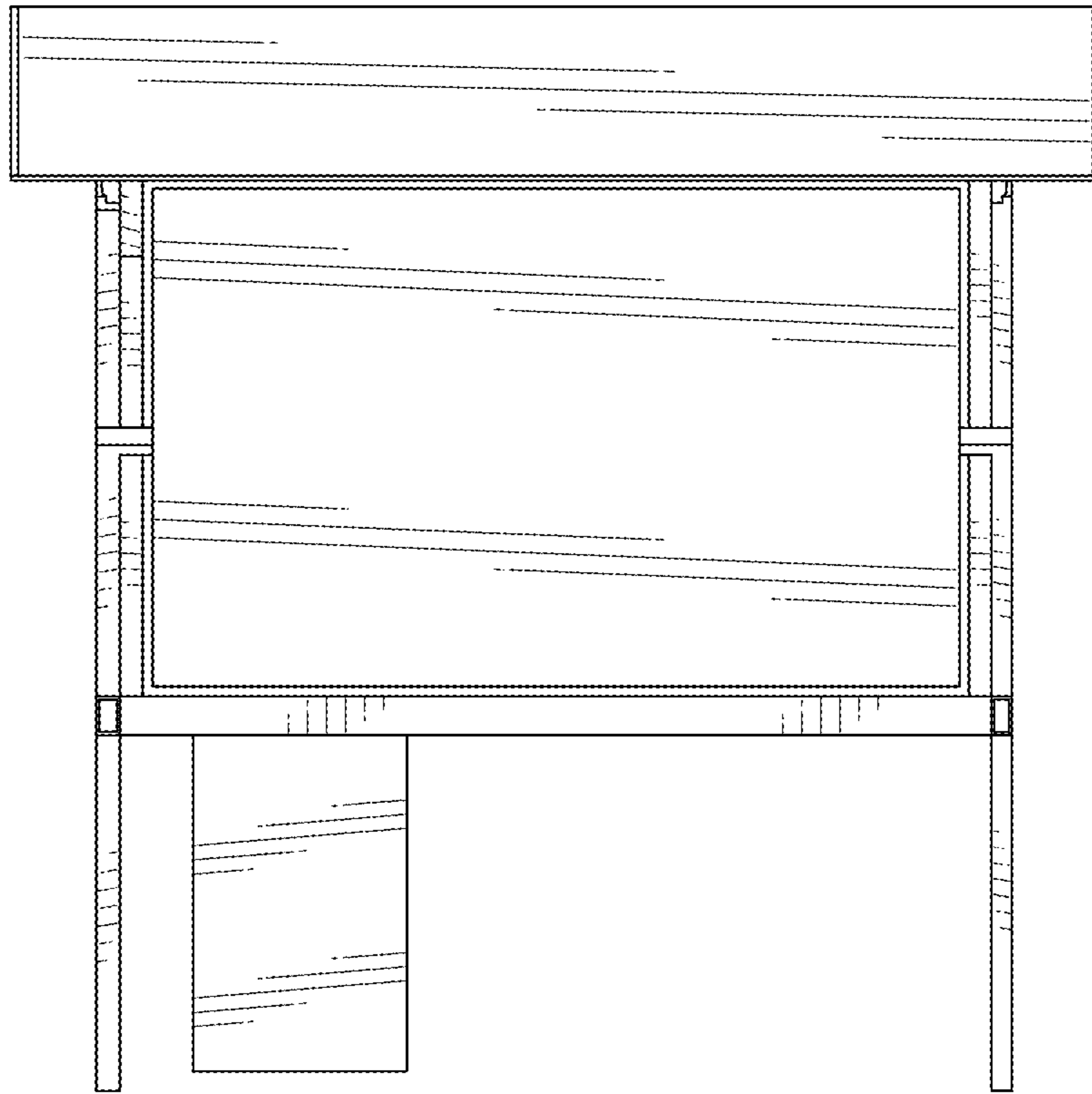


FIG. 6

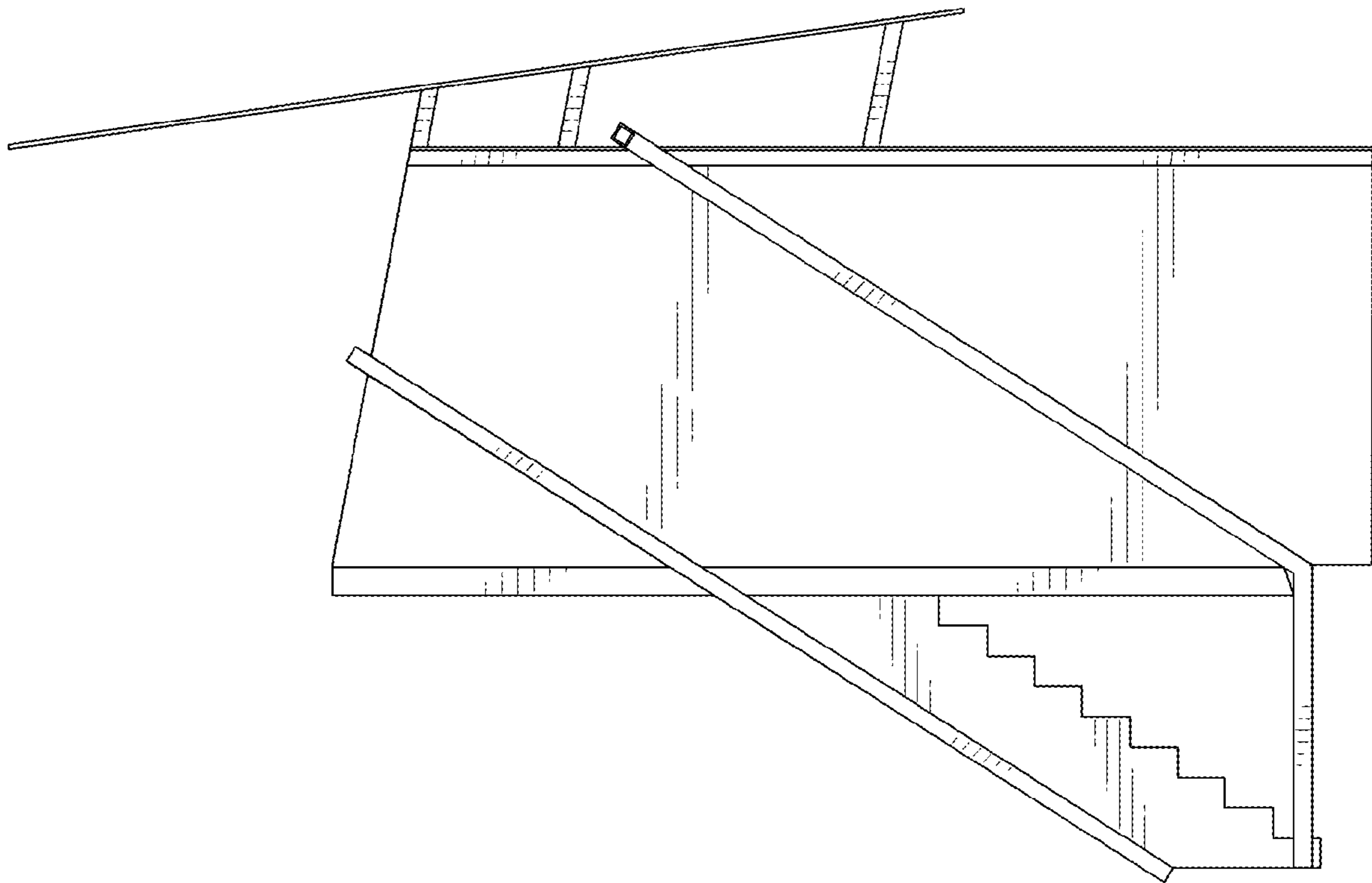


FIG. 7

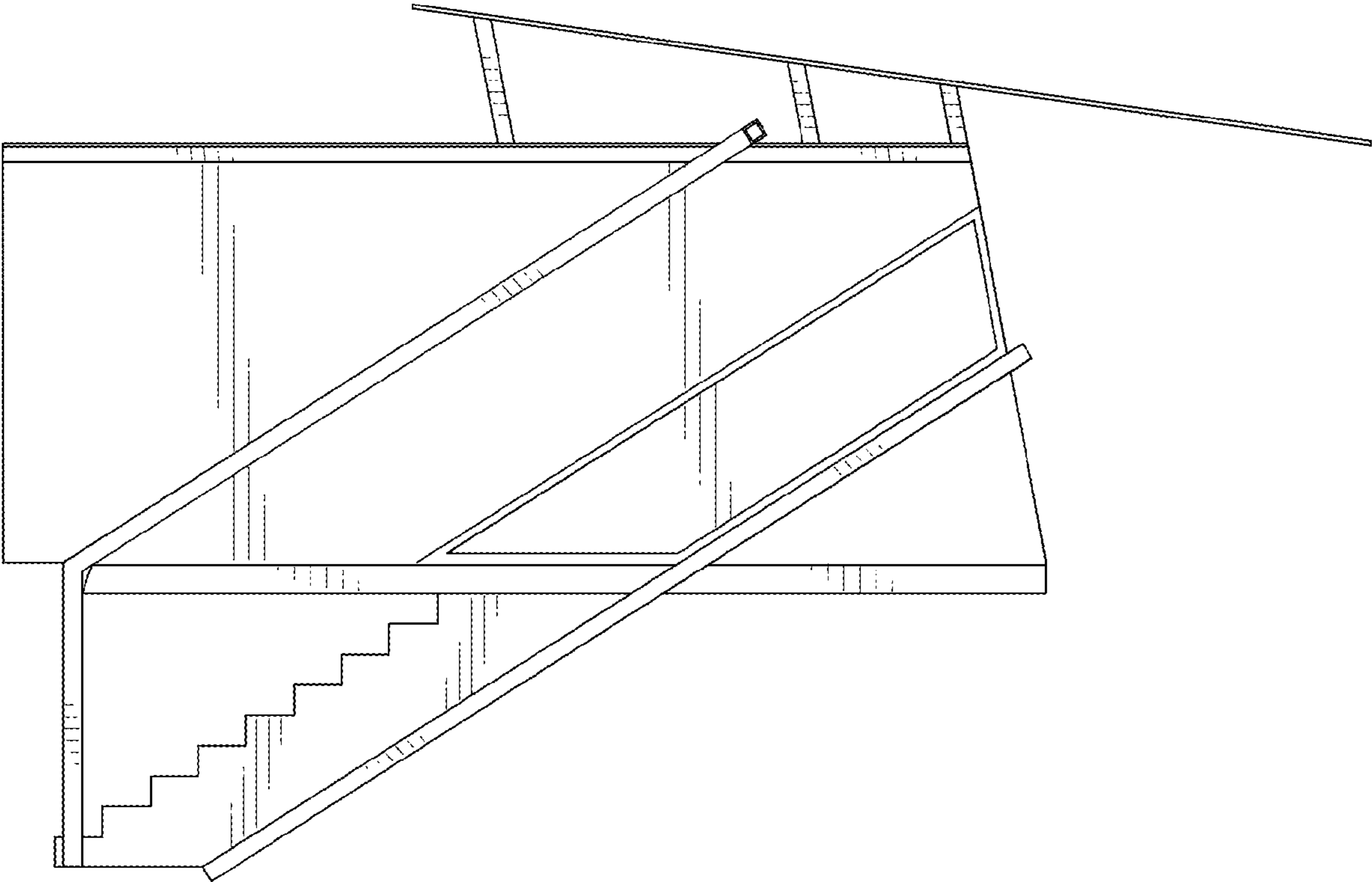


FIG. 8

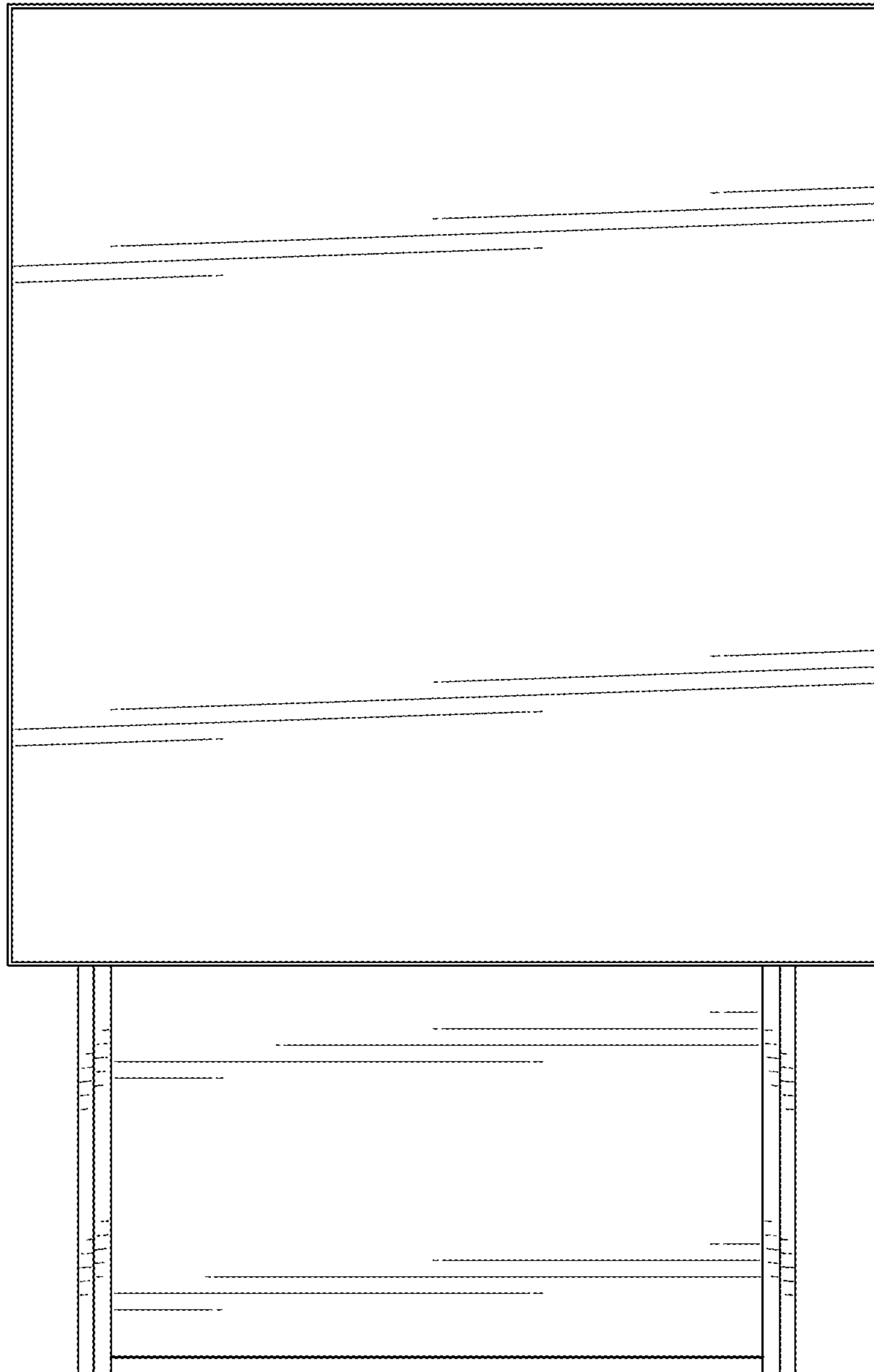


FIG. 9

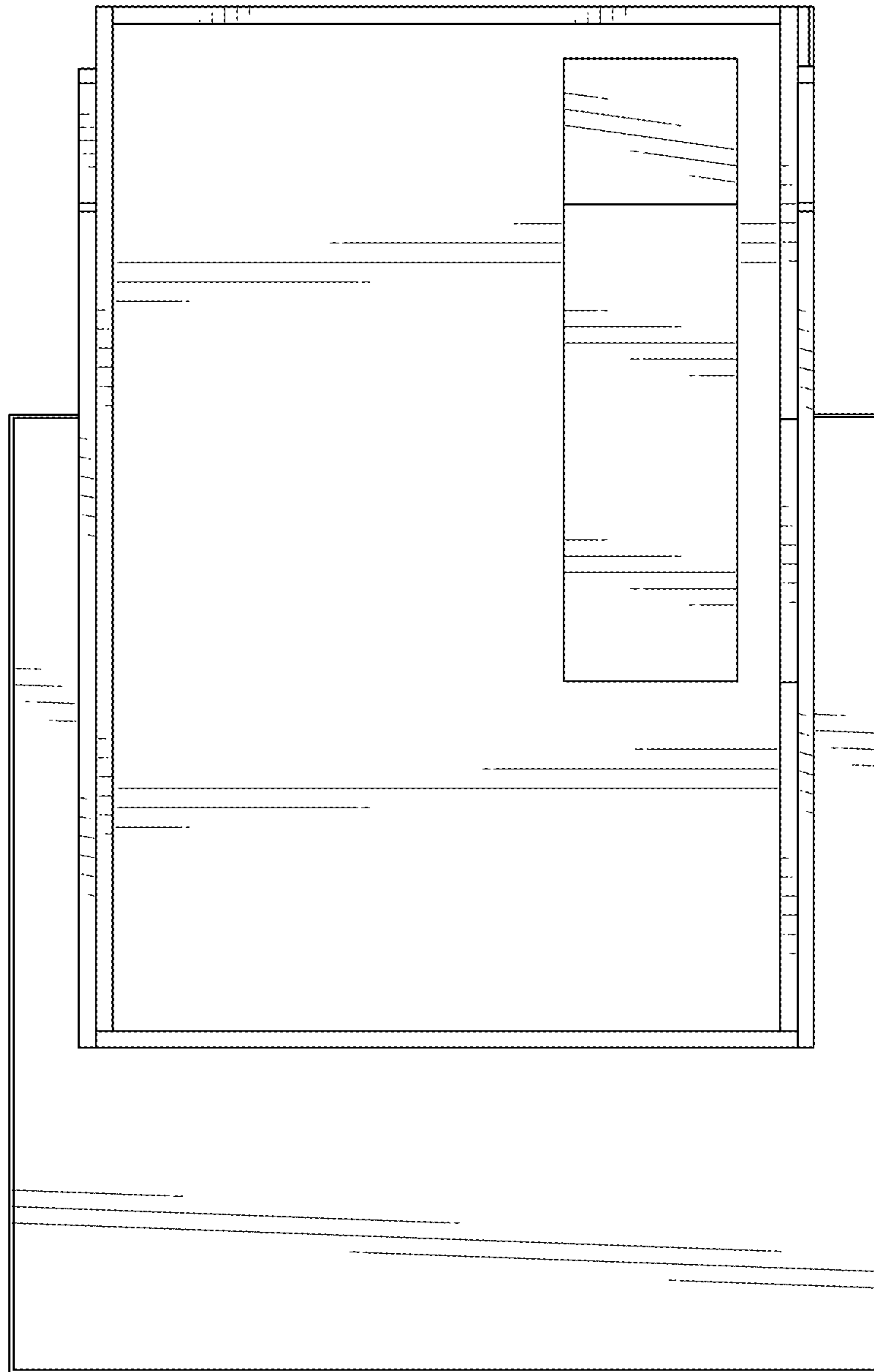


FIG. 10