



US00D987852S

(12) **United States Design Patent**
Hendrikkx

(10) **Patent No.:** **US D987,852 S**

(45) **Date of Patent:** **** May 30, 2023**

(54) **LABORATORY INSTRUMENT FOR EXECUTING MOLECULAR BIOLOGY AND DIAGNOSTIC APPLICATIONS**

(71) Applicant: **Michael Thomas Hendrikkx**, Landgraaf (NL)

(72) Inventor: **Michael Thomas Hendrikkx**, Landgraaf (NL)

(**) Term: **15 Years**

(21) Appl. No.: **35/511,983**

(22) Filed: **May 26, 2021**

(80) **Hague Agreement Data**

Int. Filing Date: **May 26, 2021**

Int. Reg. No.: **DM/214566**

Int. Reg. Date: **May 26, 2021**

Int. Reg. Pub. Date: **Jun. 11, 2021**

(51) **LOC (14) Cl.** **24-02**

(52) **U.S. Cl.**
USPC **D24/230**

(58) **Field of Classification Search**
USPC D24/107, 216, 222, 224-227, 229, 230
CPC A61J 1/16; A61J 1/1412; A61B 10/0096
See application file for complete search history.

(56) **References Cited**

U.S. PATENT DOCUMENTS

- D202,700 S * 11/1965 Cooke D24/226
- 3,356,462 A * 12/1967 Cooke B01L 3/5085
264/269
- D226,846 S * 5/1973 Rosenberg D7/708
- 4,178,345 A * 12/1979 Terk E21F 17/185
422/430
- D271,619 S * 11/1983 Herrmann D24/226
- D345,611 S * 3/1994 Long D24/224
- D359,126 S * 6/1995 Hovatter D24/227
- D369,415 S * 4/1996 Boulton D24/227
- D414,271 S * 9/1999 Mendoza D24/227

- D441,092 S * 4/2001 Coulling D24/224
- D463,863 S * 10/2002 Carlson D24/224
- D477,416 S * 7/2003 Roberts D24/224
- D492,419 S * 6/2004 Farina B01L 9/06
D24/224
- D533,948 S * 12/2006 Schaub D24/229
- D562,463 S * 2/2008 Berndt D24/226
- D620,605 S * 7/2010 Reitze D24/227

(Continued)

OTHER PUBLICATIONS

Bioplastics. EU Wide Area Optical Indented Flat 8 Cap Strip. Jun. 23, 2008. https://www.bioplastics.com/downloads/080623_EU_Wide_Area_Indented_8_Cap_Strip.pdf (Year: 2008).*

(Continued)

Primary Examiner — Darcey E Gottschalk

(74) *Attorney, Agent, or Firm* — Ryan R. Pool; Millen, White, Zelano & Branigan, P.C.

(57) **CLAIM**

The ornamental design for a laboratory instrument for executing molecular biology and diagnostic applications, as shown and described.

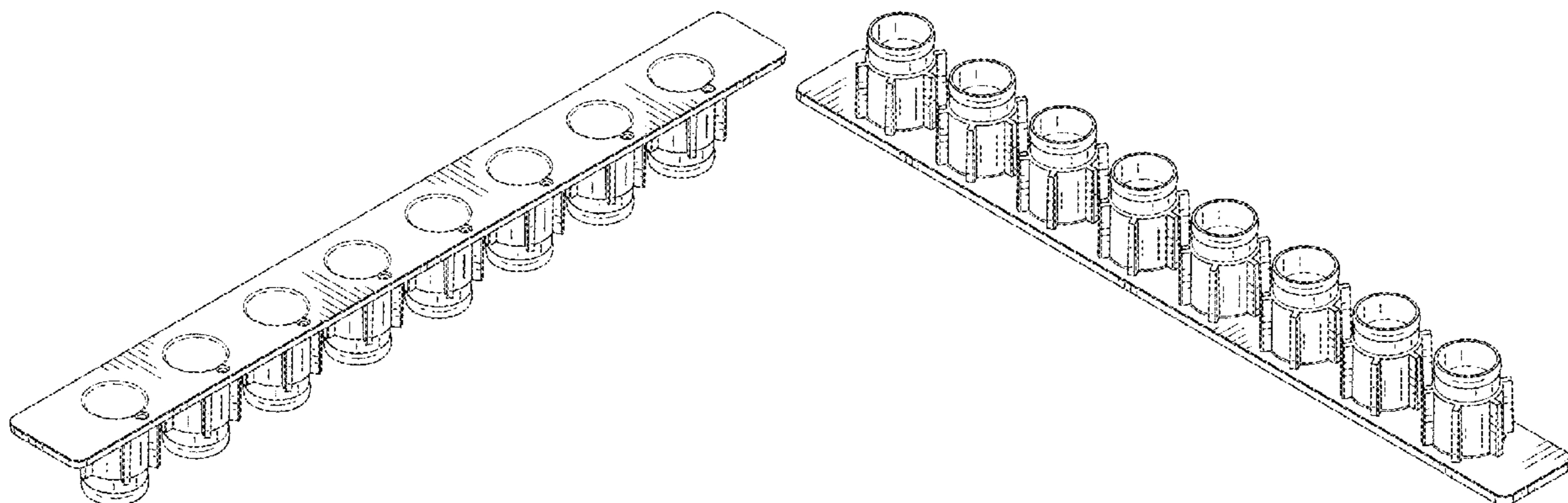
DESCRIPTION

Laboratory instrument for executing molecular biology and diagnostic applications

- 1.1 : Perspective
- 1.2 : Front
- 1.3 : Back
- 1.4 : Left
- 1.5 : Right
- 1.6 : Top
- 1.7 : Bottom
- 1.8 : Perspective

The broken lines in the figures illustrate the portions of the laboratory instrument for executing molecular biology and diagnostic applications that form no part of the claimed design.

1 Claim, 8 Drawing Sheets



(56)

References Cited

U.S. PATENT DOCUMENTS

D672,881 S * 12/2012 Kraihanzel D24/224
D679,830 S * 4/2013 May D24/224
D687,565 S * 8/2013 Kawamura D24/224
D692,162 S * 10/2013 Lentz D24/224
D709,625 S * 7/2014 Baum D24/224
D717,468 S * 11/2014 Tsai B01L 3/5082
D24/224
D745,698 S * 12/2015 Hage D24/225
D759,835 S * 6/2016 Baum D24/224
D824,535 S * 7/2018 Curry D24/227
D825,774 S * 8/2018 Self D24/224
D867,614 S * 11/2019 Jones D24/227
D875,272 S * 2/2020 Muller D24/224
D906,537 S * 12/2020 Sims D24/224
D919,831 S * 5/2021 Self D24/224
D932,052 S * 9/2021 Zergiebel D24/227
D935,051 S * 11/2021 Hendrikx D24/227

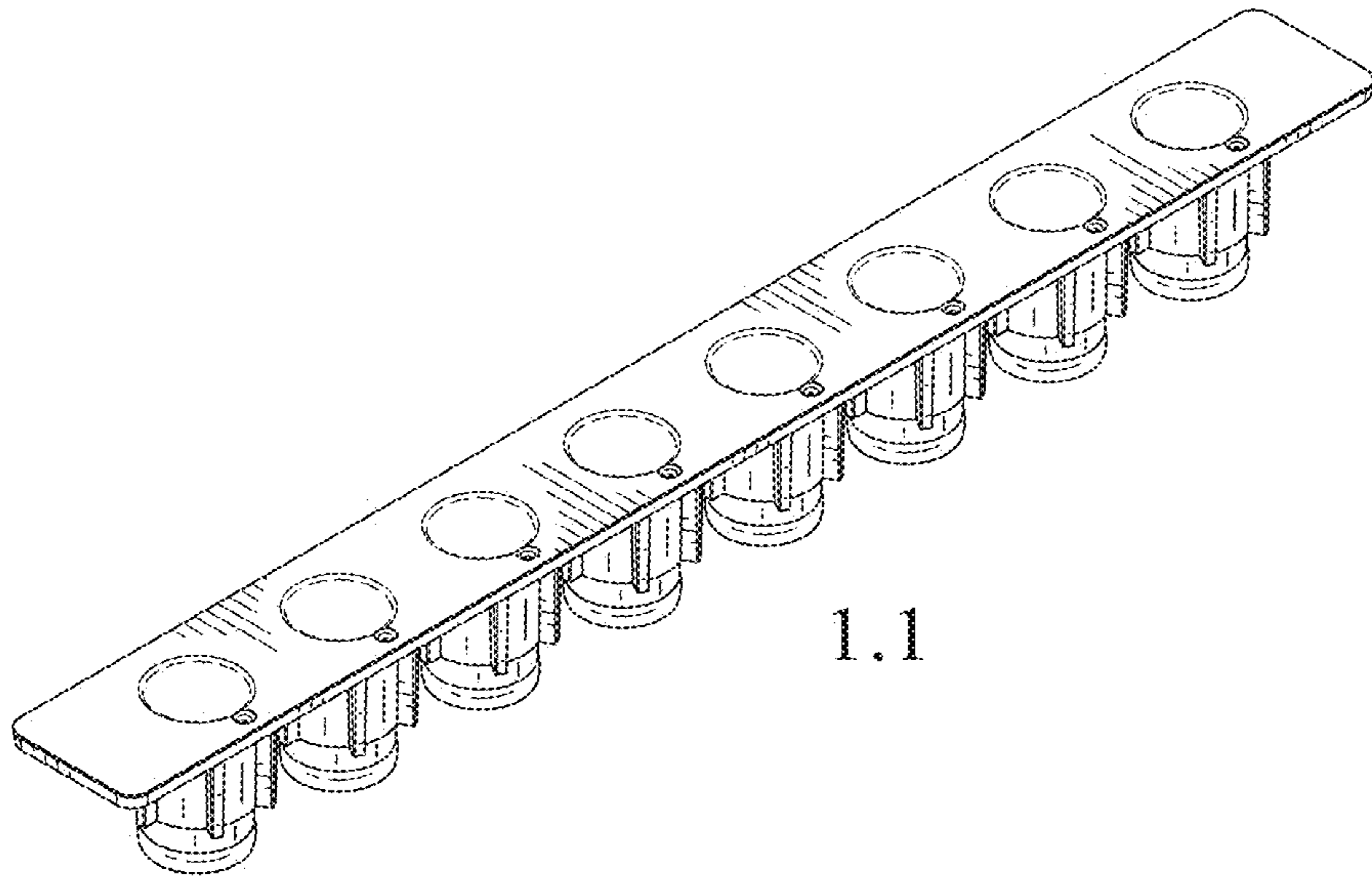
OTHER PUBLICATIONS

Youtube. Plego BioPlastics by BioPlastics BV. Jul. 10, 2018.
<https://www.youtube.com/watch?v=rIPAMTyep4> (Year: 2018).*

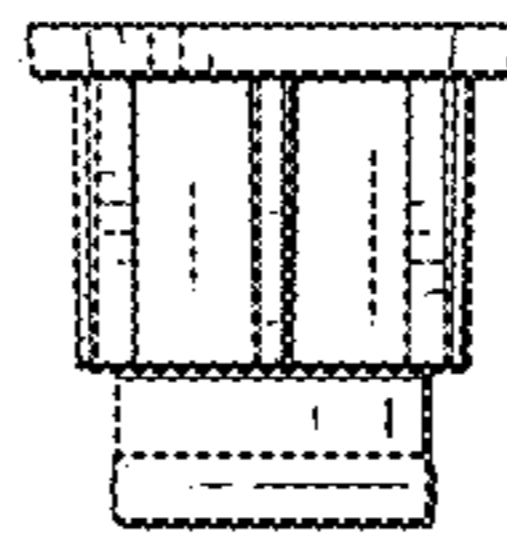
Bioplastics. Opti-Seal™ Tear Off optical Adhesive. Nov. 4, 2011.
<https://www.bioplastics.com/downloads/157400.pdf> (Year: 2011).*

Bioplastics. Flexible 12x8 Tear Off Low Profile TubeStrip Mat. Sep.
21, 2012. https://www.bioplastics.com/downloads/Tube_Mat_LP_96_02_01_B59001_End_User_release_flyer.pdf (Year: 2012).*

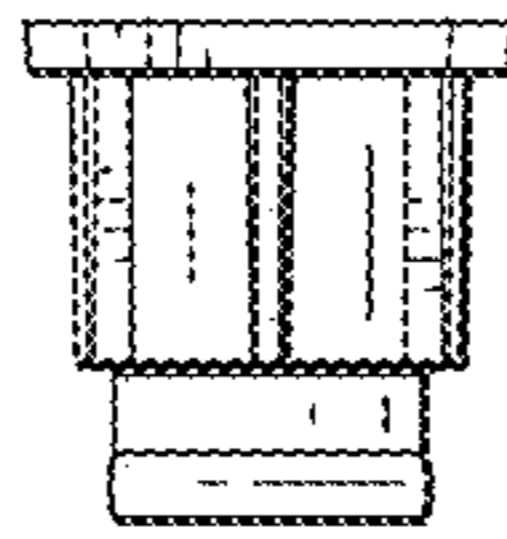
* cited by examiner



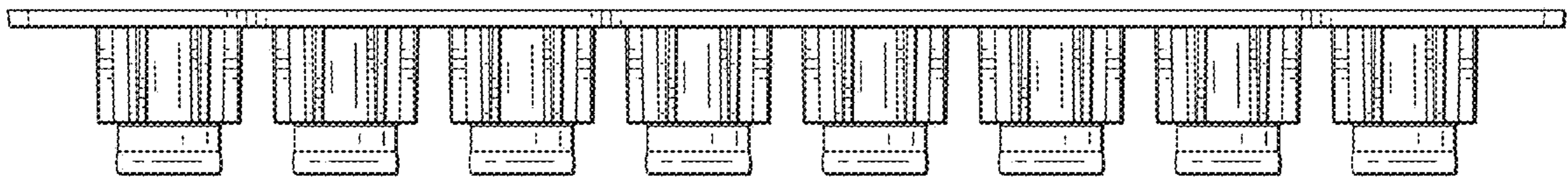
1.1



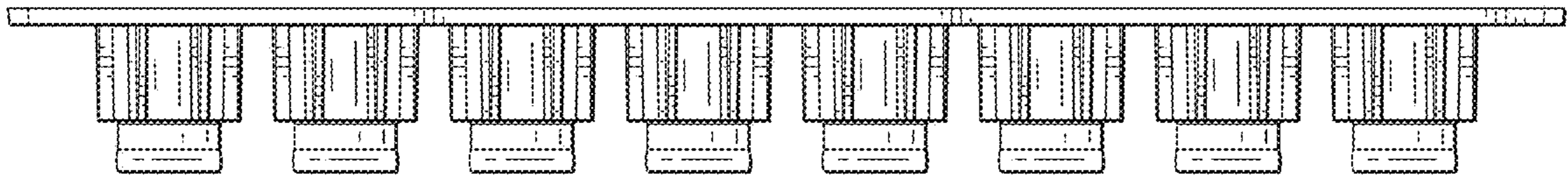
1.2



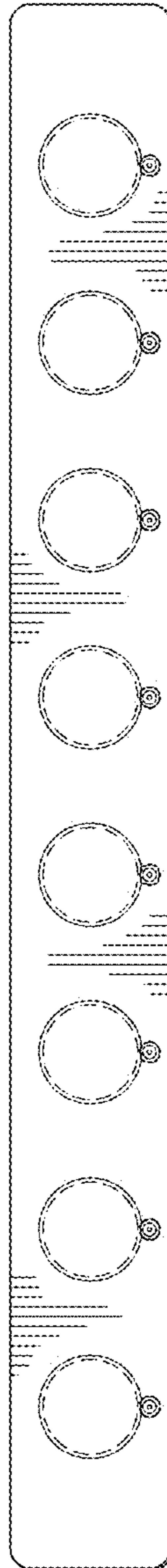
1.3



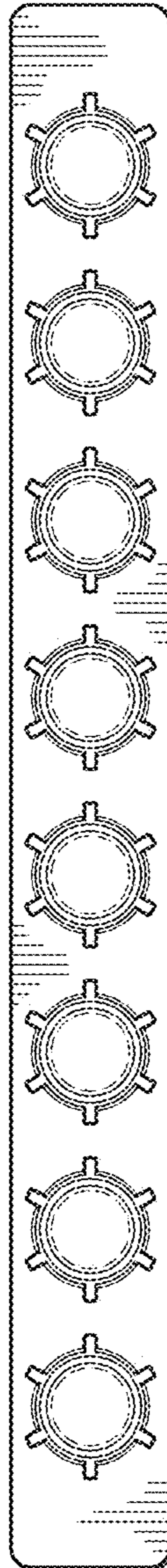
1.4



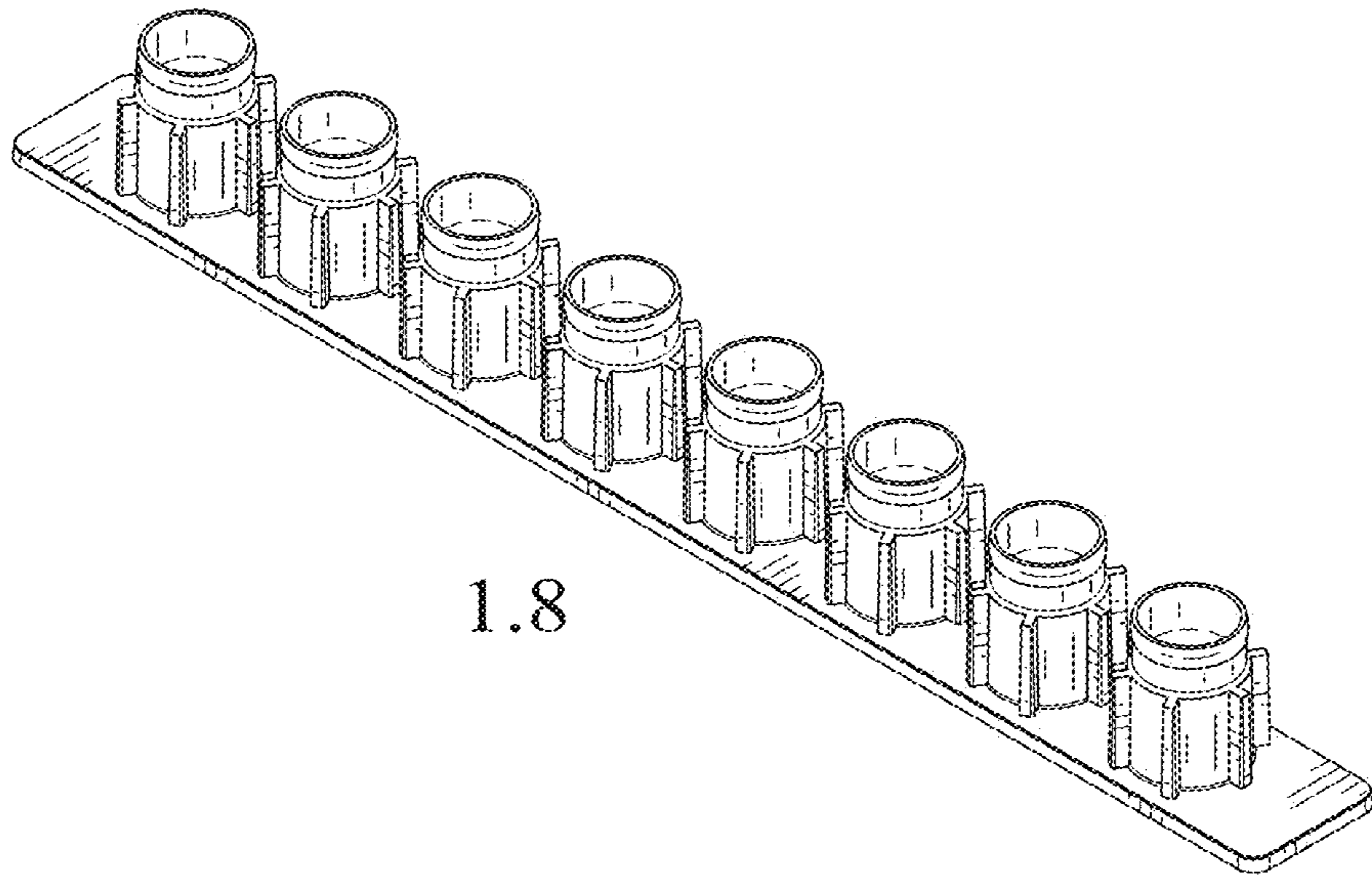
1.5



1.6



1.7



1.8